



US008834533B2

(12) **United States Patent**
Michelson

(10) **Patent No.:** **US 8,834,533 B2**

(45) **Date of Patent:** **Sep. 16, 2014**

(54) **DYNAMIC PLATE SYSTEM HAVING
MOVEABLE SEGMENTS**

(2013.01); *A61B 17/8042* (2013.01); *A61B
17/8009* (2013.01); *A61B 17/7059* (2013.01)

(75) Inventor: **Gary K. Michelson**, Venice, CA (US)

USPC **606/280**; 606/70; 606/71; 606/282;
606/246

(73) Assignee: **Warsaw Orthopedic, Inc.**, Warsaw, IN
(US)

(58) **Field of Classification Search**

USPC 606/70, 71, 246, 248, 280–299
See application file for complete search history.

(*) Notice: Subject to any disclaimer, the term of this
patent is extended or adjusted under 35
U.S.C. 154(b) by 992 days.

(56) **References Cited**

U.S. PATENT DOCUMENTS

(21) Appl. No.: **12/925,819**

1,105,105 A 7/1914 Sherman
3,604,414 A 9/1971 Borges
3,659,595 A 5/1972 Haboush
3,900,025 A 8/1975 Barnes, Jr.

(22) Filed: **Oct. 29, 2010**

(65) **Prior Publication Data**

US 2011/0054528 A1 Mar. 3, 2011

Related U.S. Application Data

(62) Division of application No. 10/971,254, filed on Oct.
23, 2004, now Pat. No. 7,824,432, which is a division
of application No. 10/160,059, filed on Jun. 4, 2002,
now Pat. No. 7,118,573.

(Continued)

FOREIGN PATENT DOCUMENTS

(60) Provisional application No. 60/379,589, filed on May
9, 2002, provisional application No. 60/377,916, filed
on May 3, 2002, provisional application No.
60/356,318, filed on Feb. 12, 2002, provisional
application No. 60/355,194, filed on Feb. 8, 2002,
provisional application No. 60/296,681, filed on Jun.
6, 2001, provisional application No. 60/296,680, filed
on Jun. 6, 2001, provisional application No.
60/296,060, filed on Jun. 4, 2001, provisional
application No. 60/296,059, filed on Jun. 4, 2001.

DE 4007306 5/1991
DE 4409833 10/1995

(Continued)

OTHER PUBLICATIONS

(51) **Int. Cl.**
A61B 17/80 (2006.01)
A61B 17/70 (2006.01)

Advertisement for Codman Anterior Cervical Plate System by Cod-
man; Johnson & Johnson; Professional, Inc.; undated.

(Continued)

Primary Examiner — Pedro Philogene

Assistant Examiner — Christina Negrelli-rodrique

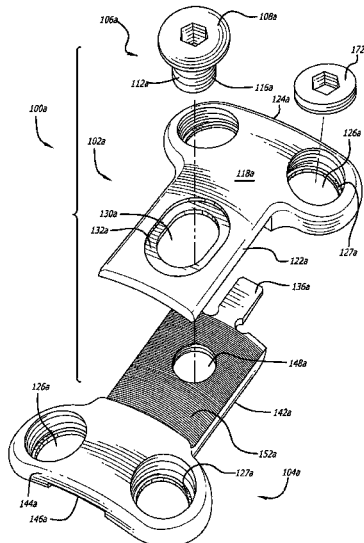
(74) *Attorney, Agent, or Firm* — Martin & Ferraro, LLP

(52) **U.S. Cl.**
CPC *A61B 17/8023* (2013.01); *A61B 17/8019*

(57) **ABSTRACT**

A plating system includes moveable plate segments to vary
the overall length of the plate. The plating system is capable
of both passive and active dynamization and has the ability to
produce the former from the latter.

32 Claims, 77 Drawing Sheets



(56)

References Cited

U.S. PATENT DOCUMENTS

3,960,147	A	6/1976	Murray	5,964,762	A	10/1999	Biedermann et al.	
4,034,418	A	7/1977	Jackson	5,964,763	A *	10/1999	Incavo et al.	606/71
4,289,123	A	9/1981	Dunn	5,968,098	A	10/1999	Winslow	
RE31,628	E	7/1984	Allgower et al.	6,022,350	A	2/2000	Ganem	
4,467,809	A	8/1984	Brighton	6,030,389	A	2/2000	Wagner et al.	
4,488,543	A	12/1984	Tornier	6,045,554	A	4/2000	Grooms et al.	
4,493,317	A	1/1985	Klaue	6,087,555	A	7/2000	Dunstan et al.	
4,503,848	A	3/1985	Caspar et al.	6,106,527	A	8/2000	Wu et al.	
4,599,086	A	7/1986	Doty	6,106,557	A	8/2000	Robioneck et al.	
4,651,724	A	3/1987	Berentey et al.	6,117,135	A	9/2000	Schlapfer	
4,743,256	A	5/1988	Brantigan	6,136,001	A	10/2000	Michelson	
4,794,918	A	1/1989	Wolter	6,139,316	A	10/2000	Sachdeva et al.	
4,795,804	A	1/1989	Urist	6,139,550	A	10/2000	Michelson	
4,936,848	A	6/1990	Bagby	6,152,927	A	11/2000	Farris et al.	
5,034,418	A	7/1991	Yamagishi et al.	6,159,213	A	12/2000	Rogozinski	
5,041,113	A	8/1991	Biedermann et al.	6,193,721	B1	2/2001	Michelson	
5,053,036	A	10/1991	Perren et al.	D440,311	S	4/2001	Michelson	
5,127,912	A	7/1992	Ray et al.	6,217,580	B1	4/2001	Levin	
5,129,903	A	7/1992	Luhr et al.	6,224,602	B1	5/2001	Hayes	
5,147,361	A	9/1992	Ojima et al.	6,224,607	B1	5/2001	Michelson	
5,167,665	A	12/1992	McKinney	6,228,085	B1	5/2001	Theken et al.	
5,180,381	A	1/1993	Aust et al.	6,235,034	B1	5/2001	Bray	
5,190,544	A	3/1993	Chapman et al.	6,235,059	B1	5/2001	Benezech et al.	
5,209,751	A	5/1993	Farris et al.	6,258,089	B1	7/2001	Campbell et al.	
5,234,431	A	8/1993	Keller	6,277,124	B1 *	8/2001	Haag	606/105
5,300,073	A	4/1994	Ray et al.	D449,692	S	10/2001	Michelson	
5,330,477	A	7/1994	Crook	6,296,647	B1	10/2001	Robioneck et al.	
5,344,421	A	9/1994	Crook	6,302,883	B1	10/2001	Bono	
5,364,399	A	11/1994	Lowery et al.	6,306,136	B1	10/2001	Baccelli	
5,397,363	A	3/1995	Gelbard	6,328,738	B1	12/2001	Suddaby	
5,423,826	A	6/1995	Coates et al.	6,342,055	B1	1/2002	Eisermann et al.	
5,470,333	A	11/1995	Ray	6,355,036	B1	3/2002	Nakajima	
5,520,690	A	5/1996	Errico et al.	6,383,189	B1	5/2002	Schumacher	
5,531,746	A	7/1996	Errico et al.	6,395,030	B1	5/2002	Songer et al.	
5,531,747	A	7/1996	Ray	6,402,756	B1	6/2002	Ralph et al.	
5,549,612	A	8/1996	Yapp et al.	6,406,478	B1	6/2002	Kuo	
5,558,674	A	9/1996	Heggeness et al.	6,410,519	B1	6/2002	Gruskin et al.	
5,569,250	A	10/1996	Sarver et al.	6,413,259	B1	7/2002	Lyons et al.	
5,578,034	A	11/1996	Estes	6,428,575	B2	8/2002	Koo et al.	
5,593,409	A	1/1997	Michelson	6,471,706	B1	10/2002	Schumacher et al.	
5,601,553	A	2/1997	Trebing et al.	6,503,250	B2	1/2003	Paul	
5,605,938	A	2/1997	Roufa et al.	6,533,786	B1	3/2003	Needham et al.	
5,607,426	A	3/1997	Ralph et al.	6,558,686	B1	5/2003	Darouiche	
5,616,142	A *	4/1997	Yuan et al.	6,576,017	B2	6/2003	Foley et al.	
5,628,781	A	5/1997	Williams et al.	6,585,738	B1	7/2003	Mangione et al.	
5,643,265	A	7/1997	Errico et al.	6,592,578	B2	7/2003	Henniges et al.	
5,646,142	A	7/1997	Dantanarayana et al.	6,599,290	B2	7/2003	Bailey et al.	
5,662,652	A	9/1997	Schafer et al.	6,602,256	B1	8/2003	Hayes	
5,672,177	A	9/1997	Seldin	6,605,090	B1	8/2003	Trieu et al.	
5,676,666	A	10/1997	Oxland et al.	6,645,208	B2	11/2003	Apfelbaum et al.	
5,676,703	A	10/1997	Gelbard	6,652,525	B1	11/2003	Assaker et al.	
5,681,313	A	10/1997	Diez	6,666,867	B2 *	12/2003	Ralph et al.	606/71
5,713,900	A	2/1998	Benzel et al.	6,699,249	B2	3/2004	Schlapfer et al.	
5,722,977	A	3/1998	Wilhelmy	6,702,817	B2	3/2004	Beger et al.	
5,728,127	A	3/1998	Asher et al.	6,764,489	B2	7/2004	Ferree	
5,735,853	A	4/1998	Olerud	6,783,526	B1	8/2004	Lin et al.	
5,735,899	A	4/1998	Schwartz et al.	6,786,910	B2	9/2004	Cohen et al.	
5,741,258	A	4/1998	Klaue et al.	6,793,658	B2	9/2004	LeHuec et al.	
5,755,796	A	5/1998	Ibo et al.	6,855,147	B2	2/2005	Harrington, Jr.	
5,766,254	A	6/1998	Gelbard	6,872,210	B2	3/2005	Hearn	
5,800,433	A	9/1998	Benzel et al.	6,908,469	B2	6/2005	Sellers et al.	
D402,032	S	12/1998	Stone	7,041,105	B2	5/2006	Michelson	
5,843,082	A	12/1998	Yuan et al.	7,044,952	B2 *	5/2006	Michelson	606/71
5,865,848	A	2/1999	Baker	7,097,645	B2 *	8/2006	Michelson	606/71
5,866,113	A	2/1999	Hendriks et al.	7,112,202	B2	9/2006	Michelson	
D406,646	S	3/1999	Stone	7,115,130	B2	10/2006	Michelson	
5,876,402	A	3/1999	Errico et al.	7,118,573	B2 *	10/2006	Michelson	606/71
5,899,939	A	5/1999	Boyce et al.	7,186,256	B2	3/2007	Michelson	
5,902,304	A	5/1999	Walker et al.	7,399,301	B2	7/2008	Michelson	
5,904,683	A	5/1999	Pohndorf et al.	7,547,306	B2	6/2009	Michelson	
5,947,893	A	9/1999	Agrawal et al.	7,621,943	B2	11/2009	Michelson	
5,951,558	A	9/1999	Fiz	7,704,250	B2	4/2010	Michelson	
5,954,722	A	9/1999	Bono	7,740,630	B2	6/2010	Michelson	
5,954,725	A	9/1999	Sherman et al.	7,803,157	B2	9/2010	Michelson	
5,964,760	A	10/1999	Richelsoph	7,811,285	B2	10/2010	Michelson	
				2003/0036759	A1	2/2003	Musso	
				2003/0229348	A1	12/2003	Sevrain	

(56)

References Cited

U.S. PATENT DOCUMENTS

2004/0167521 A1 8/2004 De Windt
 2005/0085816 A1 4/2005 Michelson
 2005/0187554 A1 8/2005 Michelson

FOREIGN PATENT DOCUMENTS

DE	4414781	11/1995
DE	44 38 264 A	3/1996
DE	19542064	7/1997
WO	WO 94/26193	11/1994
WO	WO 95/35067	12/1995
WO	WO 96/08206	3/1996
WO	WO 96/39975	12/1996
WO	WO 99/56653	11/1999
WO	WO 00/01314	1/2000
WO	WO 01/26566	4/2001
WO	WO 01/89428	11/2001
WO	WO 02/085226	10/2002

OTHER PUBLICATIONS

Aesculap Scientific Information Booklet; *Anterior Cervical Fusion and Interbody Stabilization with the Trapezial Osteosynthetic Plate Technique* by Wolfhard Casper; Feb. 1986.

Synthes Spine Brochure for *Cervical Spine Locking Plate*; 1991.

Orion Brochure; *Anterior Cervical Plate System, Surgical Technique*, as described by Gary L. Lowery, M.D., Ph.D.; 1996.

Codman Brochure; *Anterior Cervical Plate System*; Sep. 1995.

Spinal Concepts Brochure; *The Acufix, Anterior Cervical Plate System*; undated.

Ebi Brochure; *Introducing EBI VueLock, Anterior Cervical Plate System*; 2001.

Blackstone Brochure; *Blackstone Anterior Cervical Plate*; undated.

Alphatec Manufacturing Brochure; *Deltaloc, Anterior Cervical Plate System*; undated.

Sofamor Danek Brochure; *Atlantis, Anterior Cervical Plate System*; undated.

Ortho Development Brochure; *Ortho Development Cervical Plate*; undated.

Osteotech Brochure; *Affirm, Anterior Cervical Plate System*; undated.

Bone Growth Stimulation, http://www.healthatoz.com/healthatoz/Atoz/ency/bone_growth_stimulation.jsp.

Office Action dated Jun. 30, 2004 from U.S. Appl. No. 10/160,062.

Office Action dated Feb. 13, 2006 from U.S. Appl. No. 10/160,062.

Office Action dated Oct. 31, 2005 from U.S. Appl. No. 10/810,190.

Office Action dated Aug. 8, 2007 from U.S. Appl. No. 10/925,857.

Office Action dated Jun. 18, 2009 from U.S. Appl. No. 10/925,857.

Office Action dated Nov. 24, 2009 from U.S. Appl. No. 10/925,857.

Office Action dated Jun. 9, 2004 from U.S. Appl. No. 10/160,086.

Office Action dated May 16, 2005 from U.S. Appl. No. 10/160,086.

Office Action dated Dec. 21, 2005 from U.S. Appl. No. 10/160,086.

Office Action dated Nov. 27, 2006 from U.S. Appl. No. 10/809,242.

Office Action dated Jun. 1, 2007 from U.S. Appl. No. 11/130,934.

Office Action dated May 15, 2008 from U.S. Appl. No. 11/130,934.

Office Action dated Jul. 13, 2004 from U.S. Appl. No. 10/160,247.

Office Action dated Mar. 23, 2005 from U.S. Appl. No. 10/160,247.

Office Action dated Oct. 31, 2005 from U.S. Appl. No. 10/810,230.

Office Action dated Aug. 1, 2007 from U.S. Appl. No. 10/926,734.

Office Action dated Jun. 19, 2009 from U.S. Appl. No. 10/926,734.

Office Action dated Dec. 3, 2009 from U.S. Appl. No. 10/926,734.

Office Action dated Mar. 11, 2004 from U.S. Appl. No. 10/160,407.

Office Action dated Apr. 8, 2005 from U.S. Appl. No. 10/160,407.

Office Action dated May 17, 2007 from U.S. Appl. No. 11/102,112.

Office Action dated Jan. 17, 2008 from U.S. Appl. No. 11/102,112.

Office Action dated Jul. 31, 2008 from U.S. Appl. No. 11/102,112.

Office Action dated Jan. 30, 2009 from U.S. Appl. No. 11/102,112.

Office Action dated Jun. 1, 2007 from U.S. Appl. No. 11/128,556.

Office Action dated Jan. 17, 2008 from U.S. Appl. No. 11/128,556.

Office Action dated Aug. 6, 2008 from U.S. Appl. No. 11/128,556.

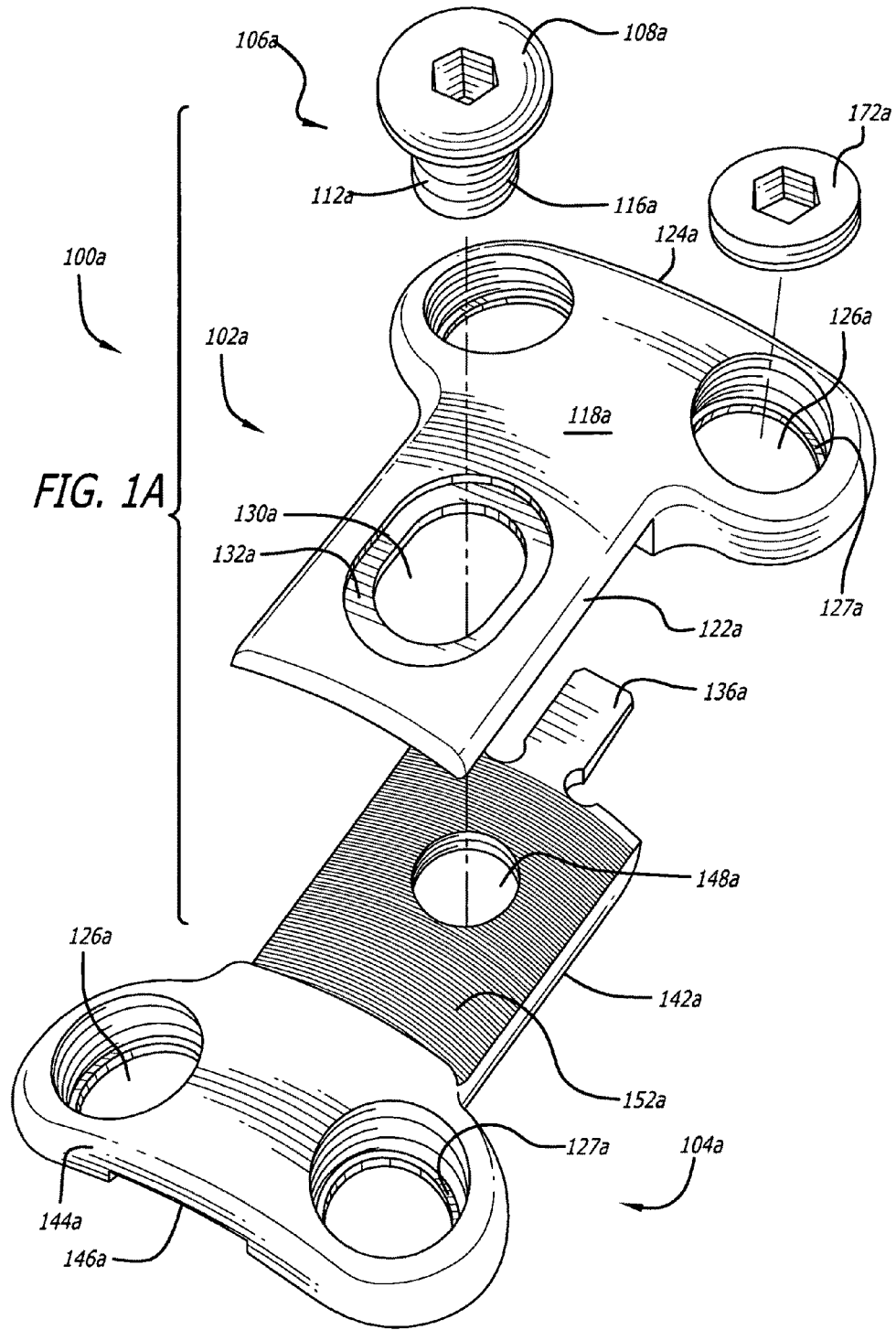
Office Action dated Feb. 3, 2009 from U.S. Appl. No. 11/128,556.

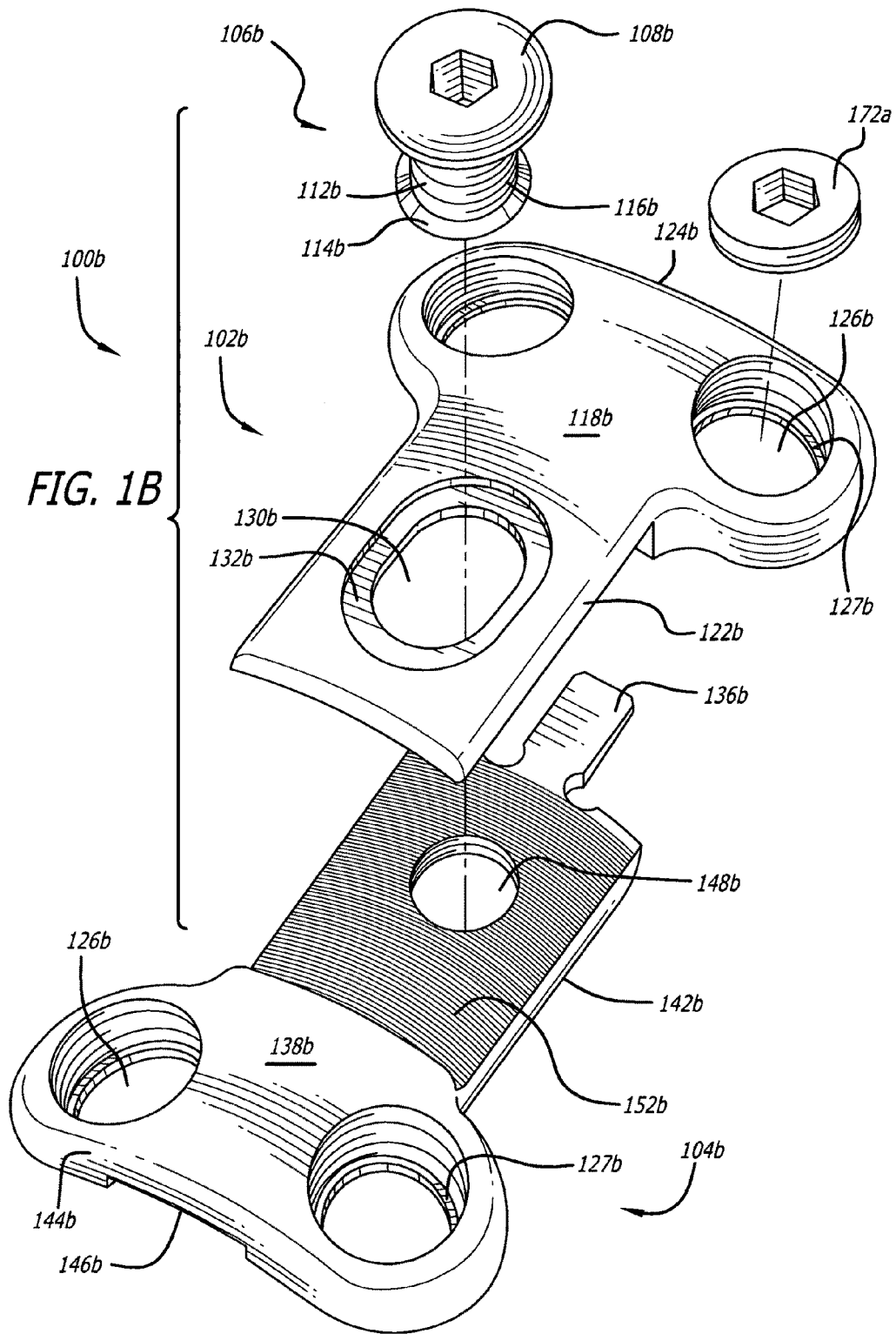
Office Action dated Jul. 1, 2009 from U.S. Appl. No. 11/128,556.

Office Action dated Sep. 8, 2004 from U.S. Appl. No. 10/160,059.

Office Action dated Apr. 1, 2005 from U.S. Appl. No. 10/160,059.

* cited by examiner





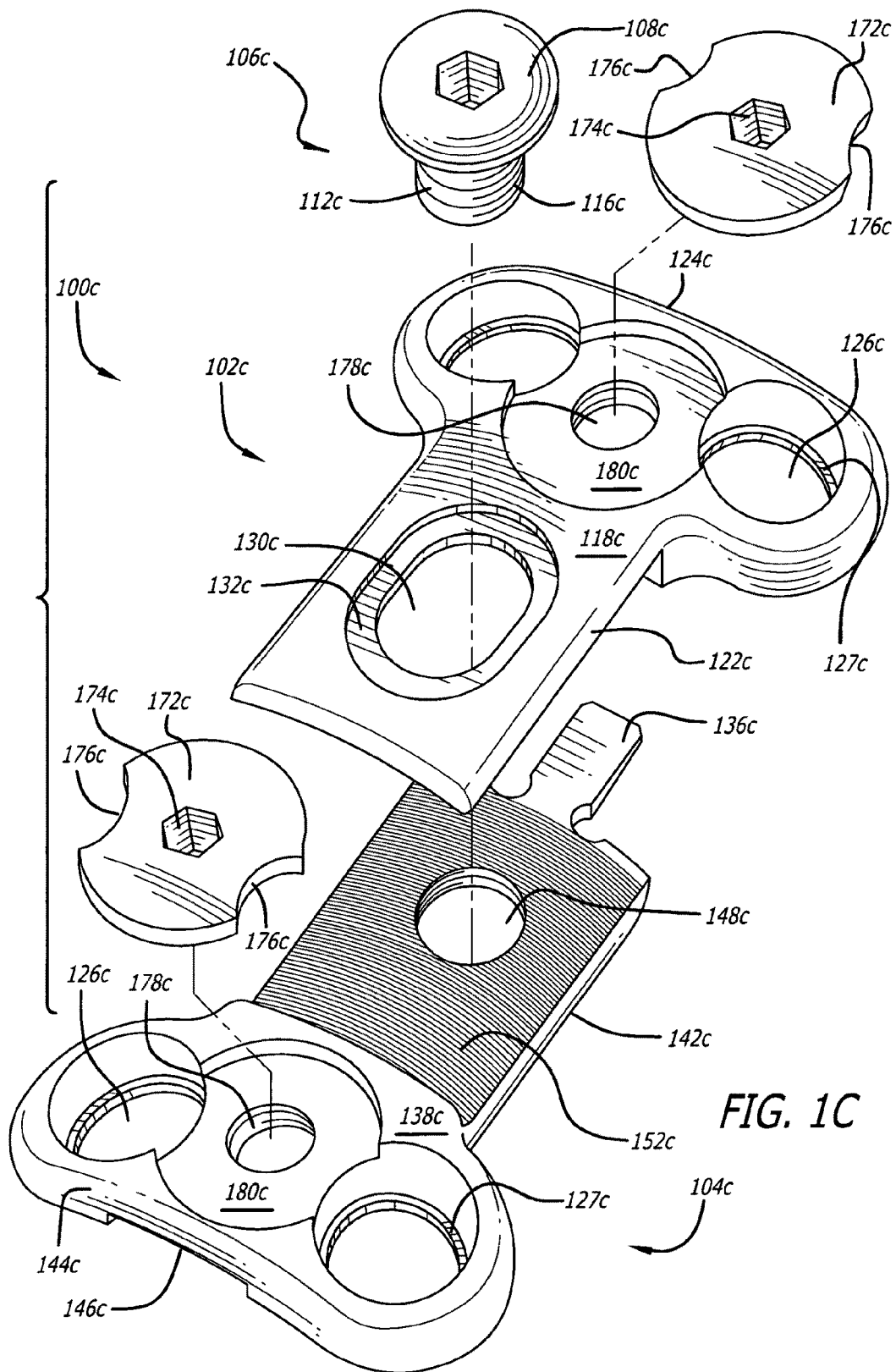


FIG. 1C

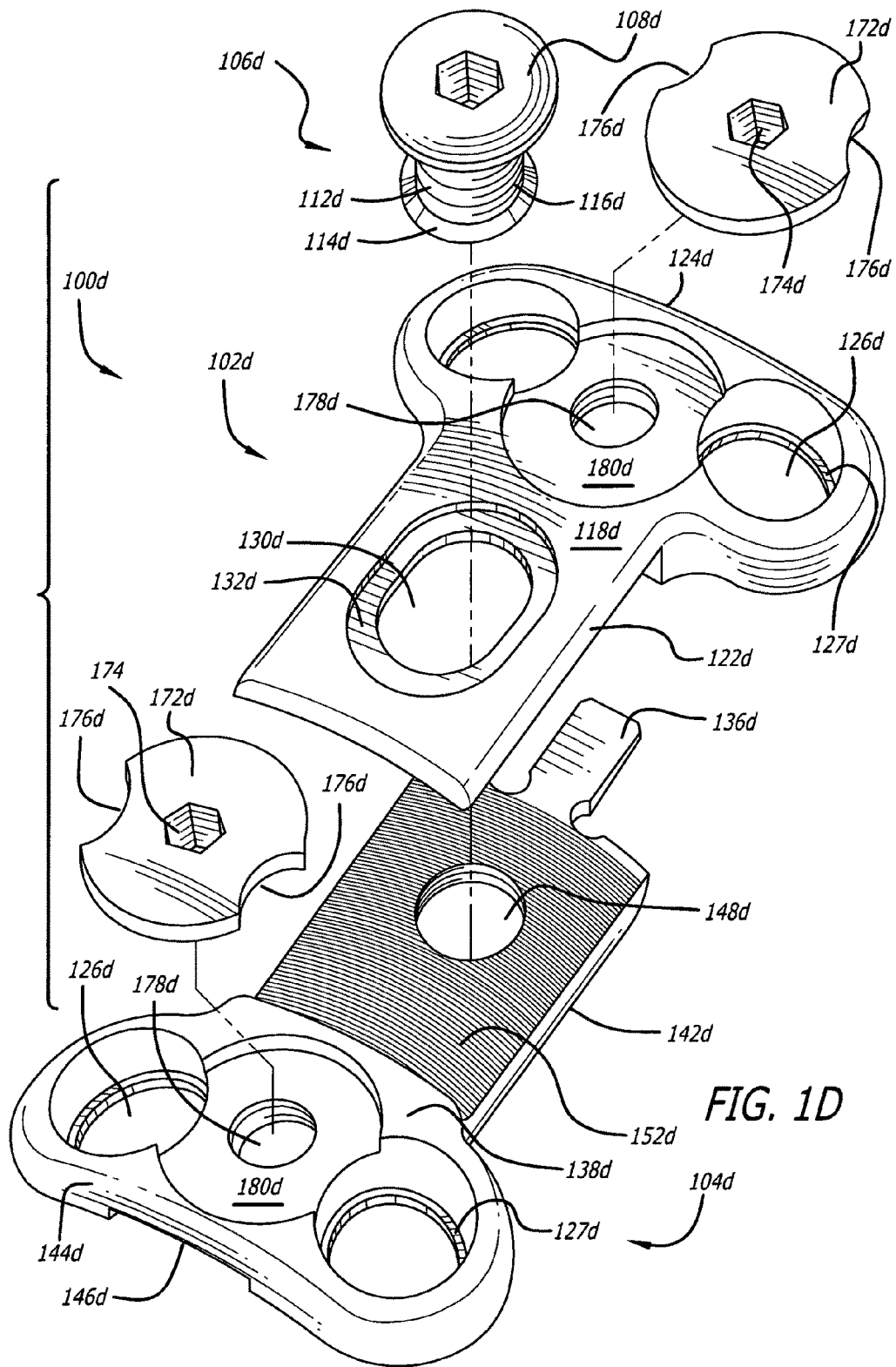
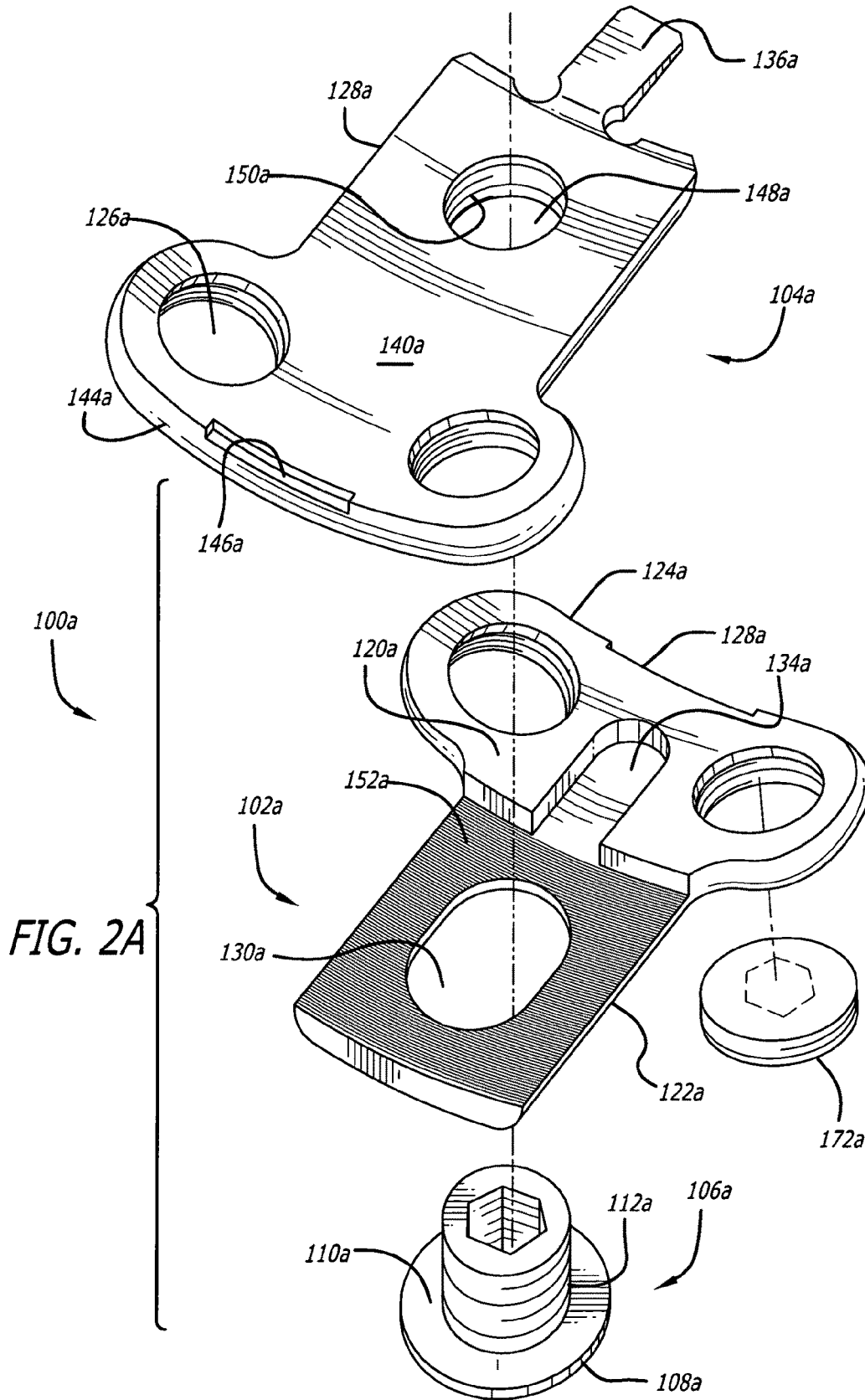


FIG. 1D



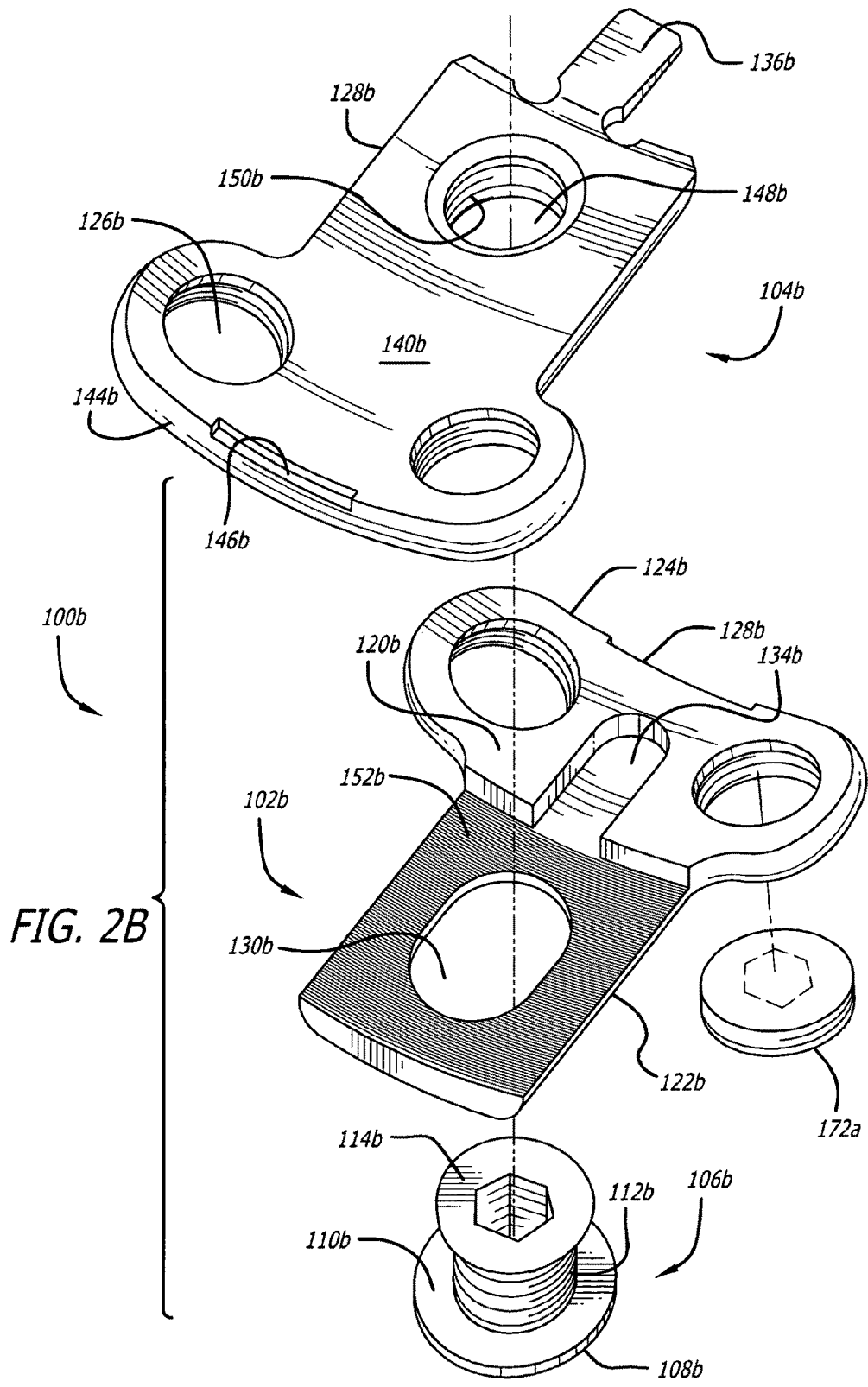
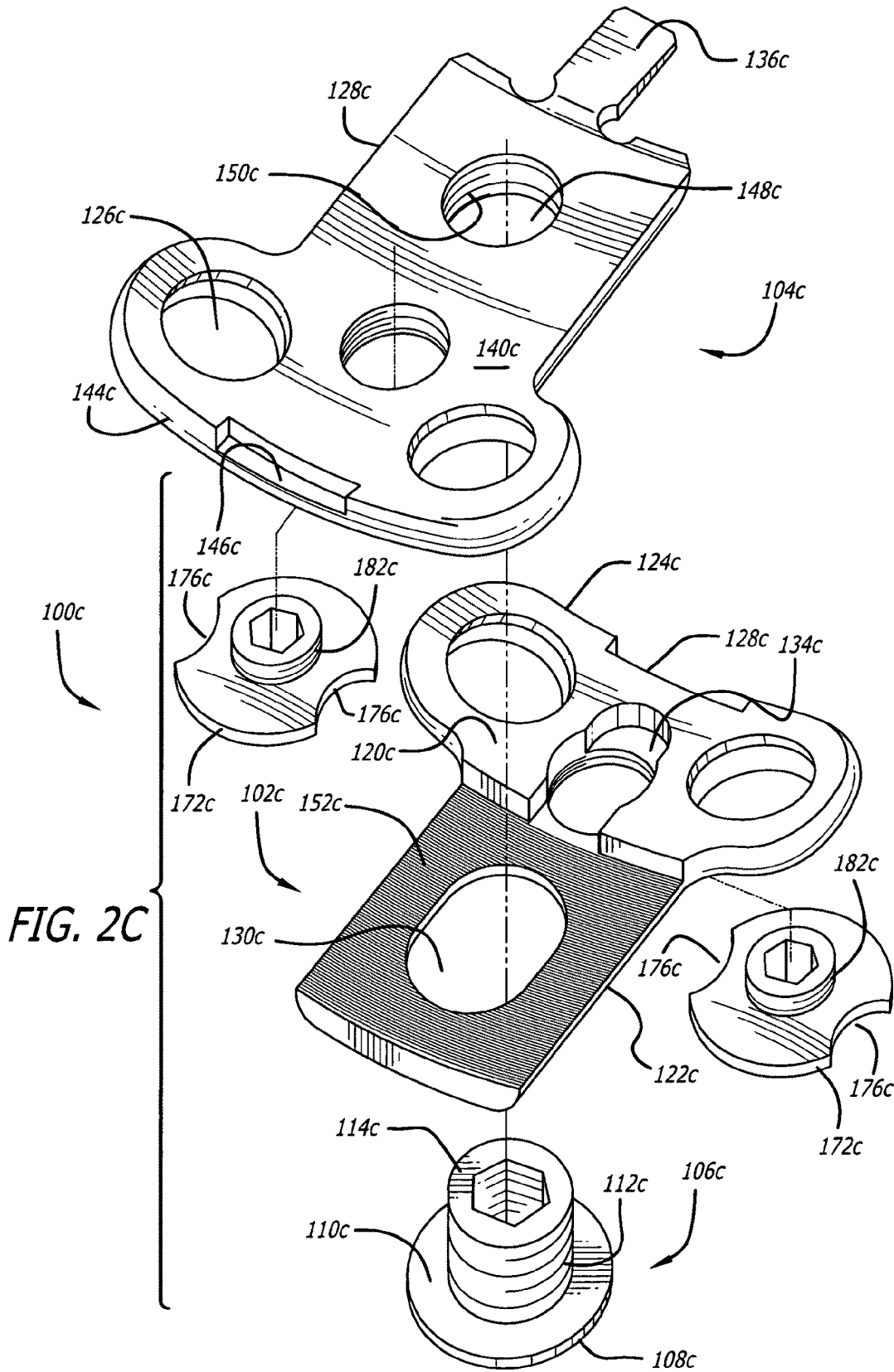
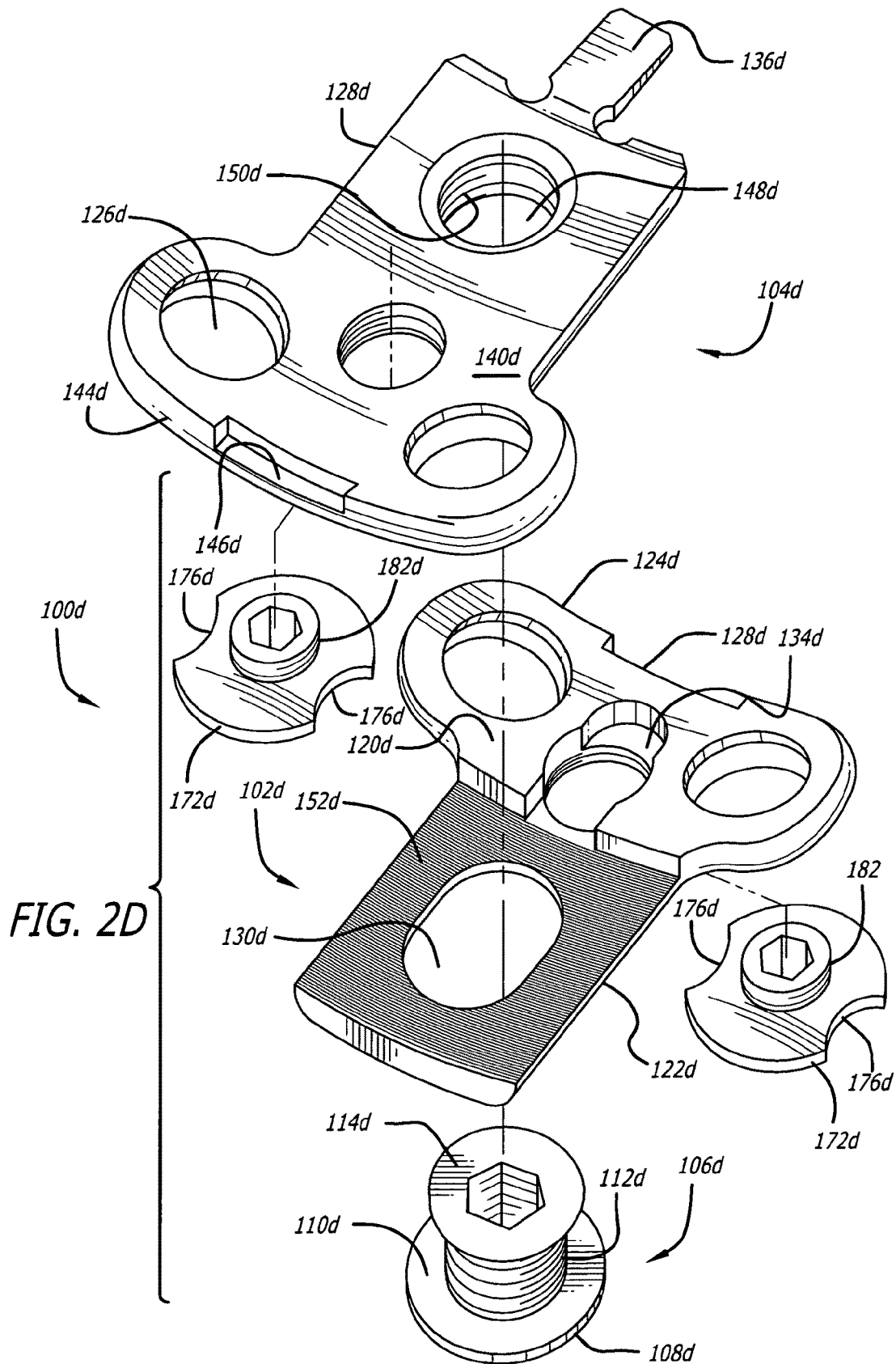
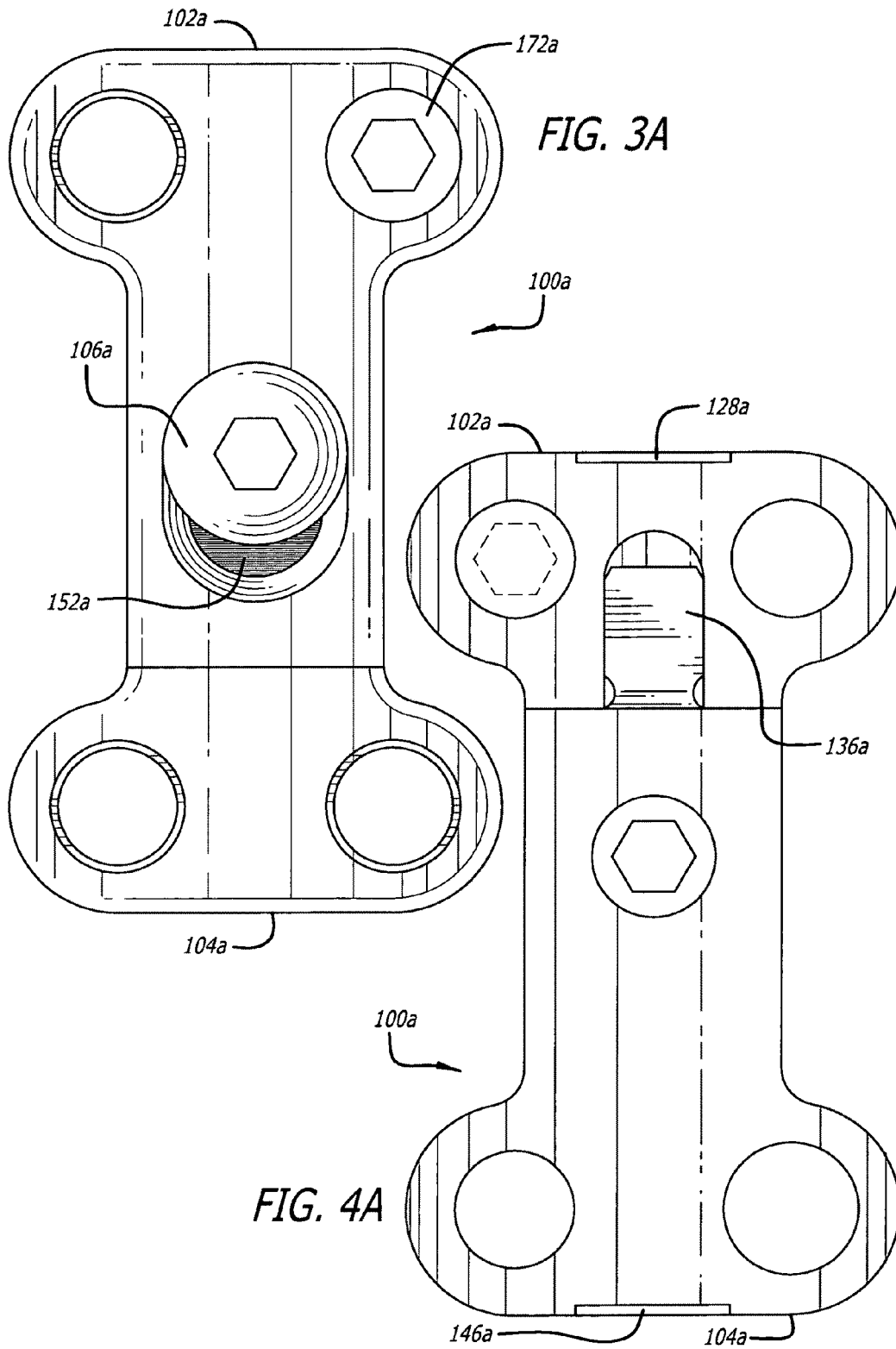


FIG. 2B







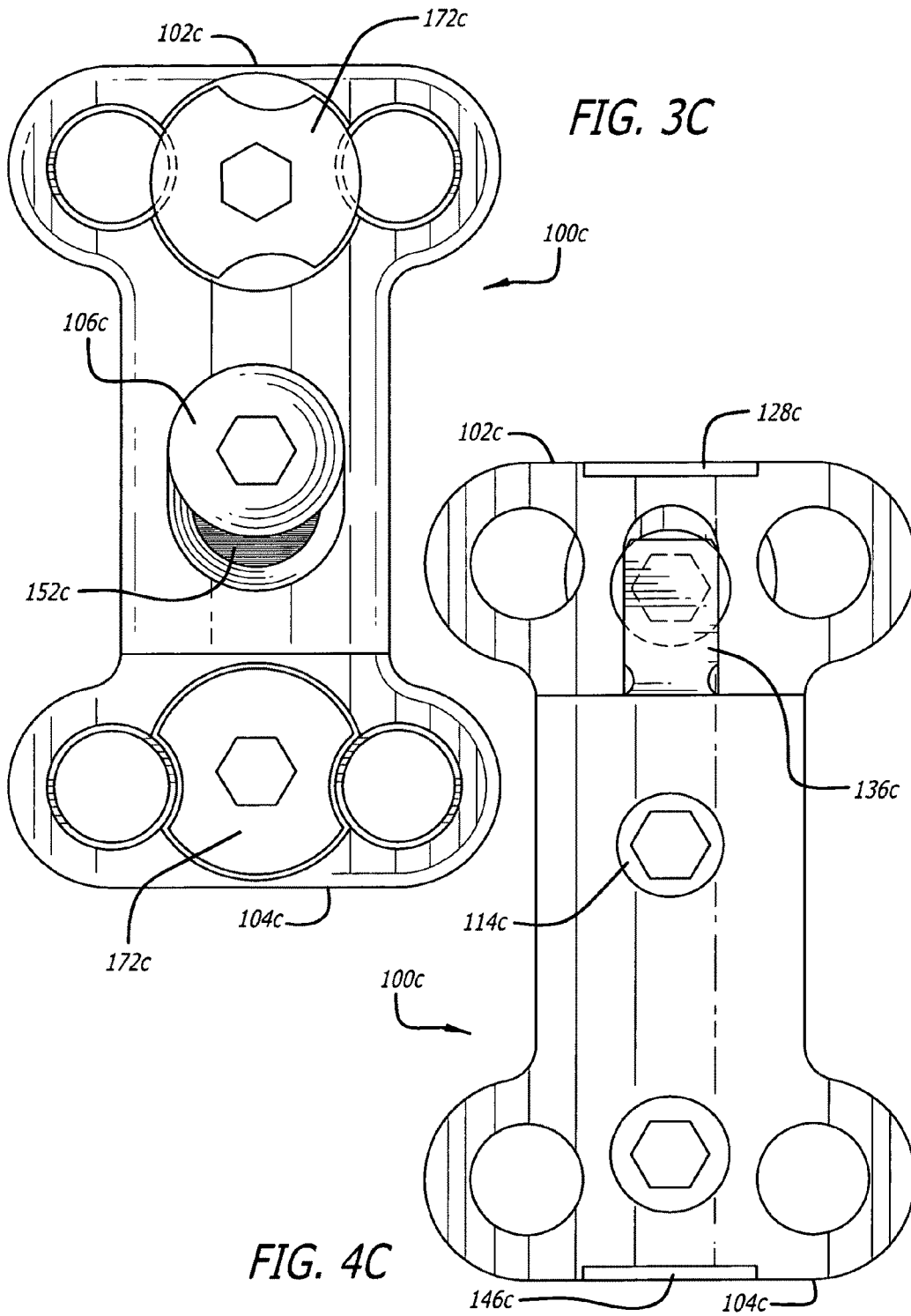


FIG. 3C

FIG. 4C

FIG. 4B

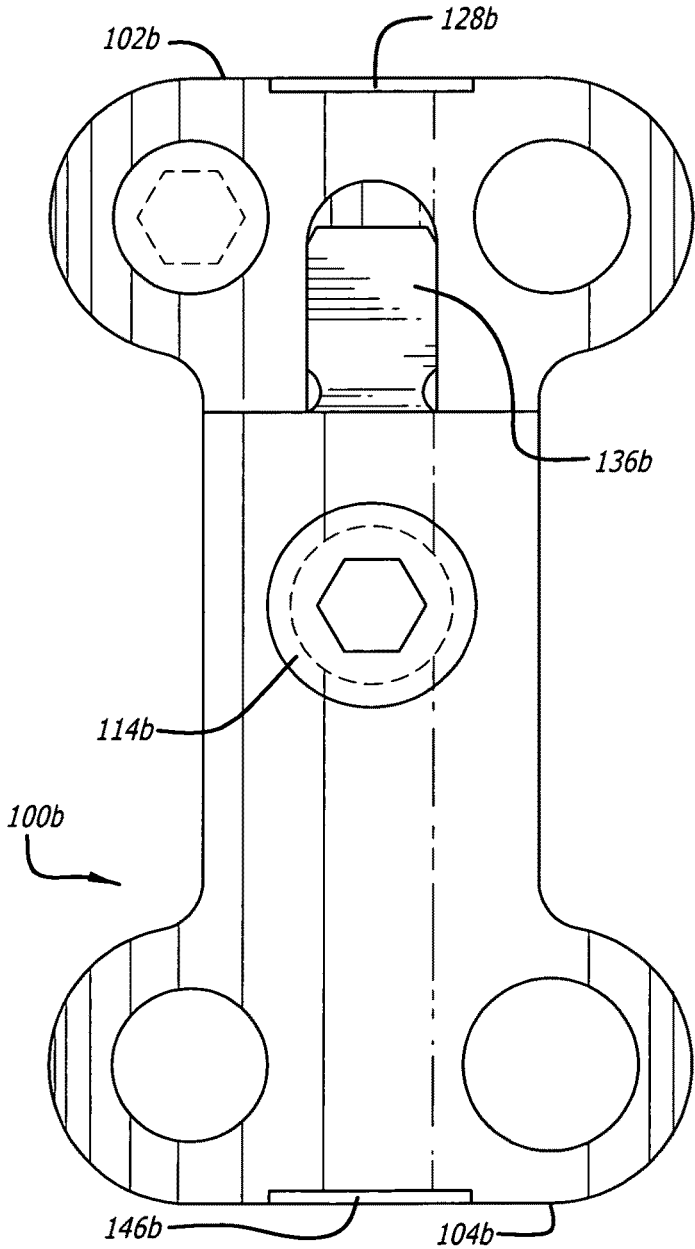
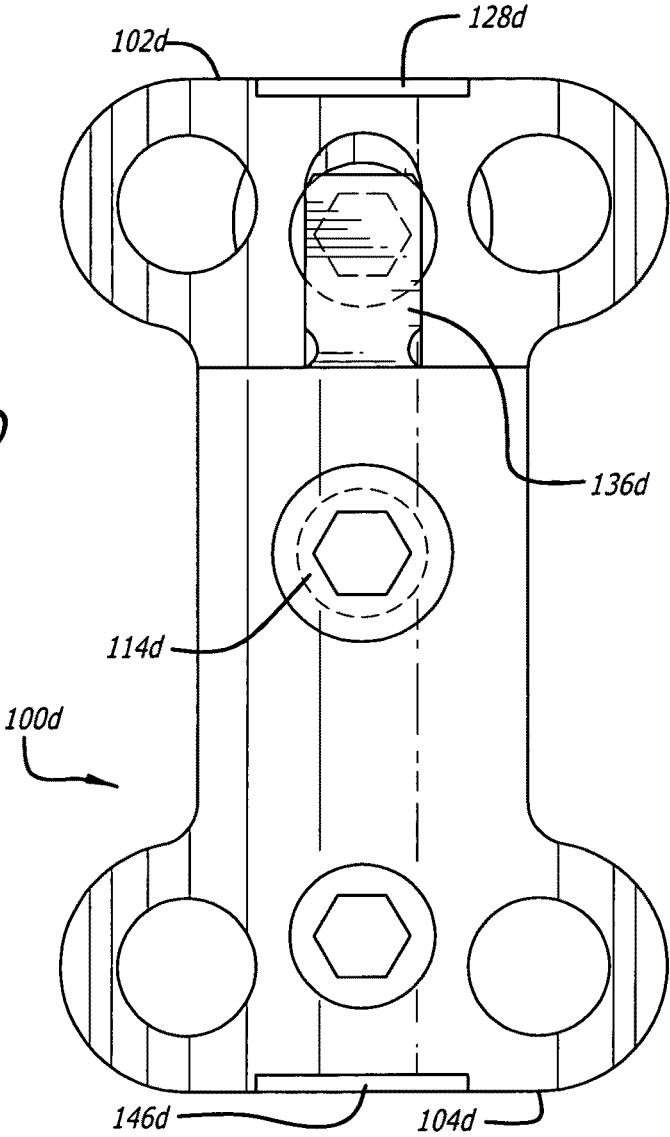
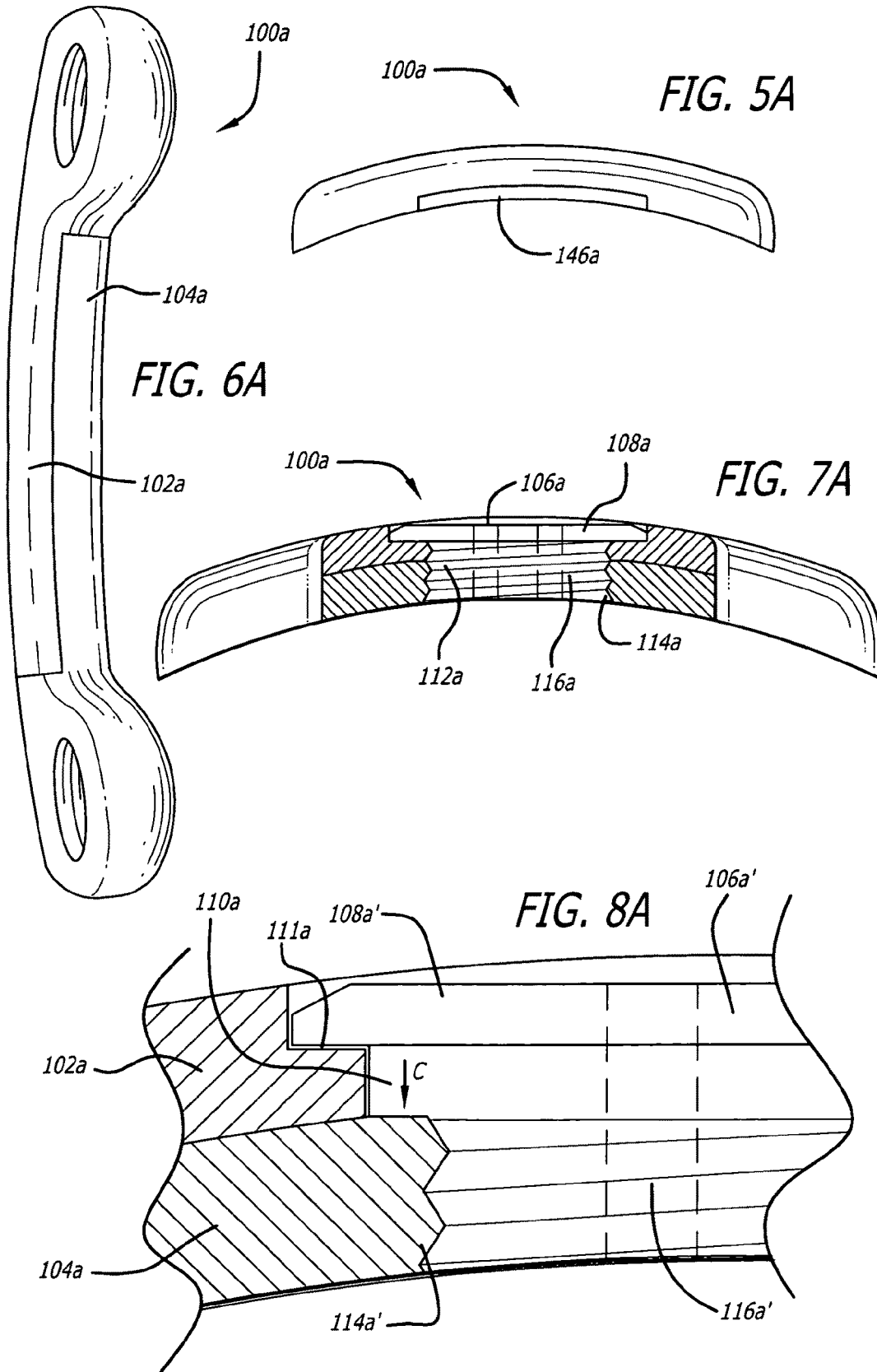


FIG. 4D





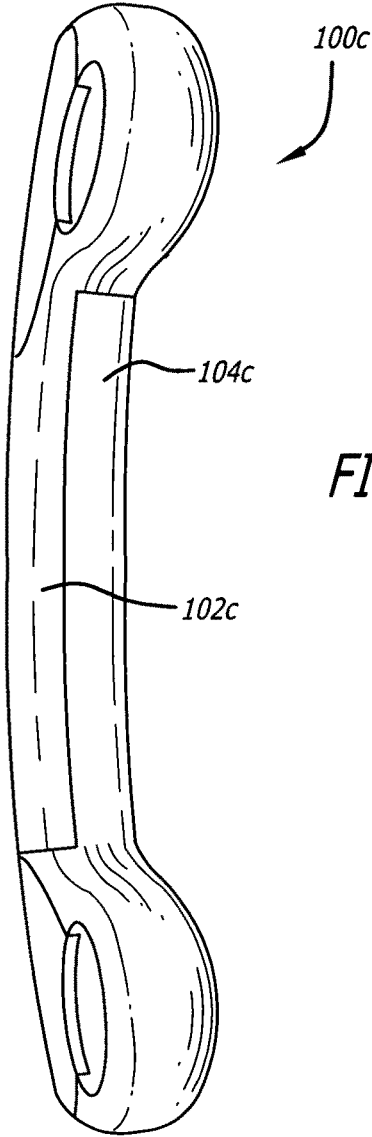
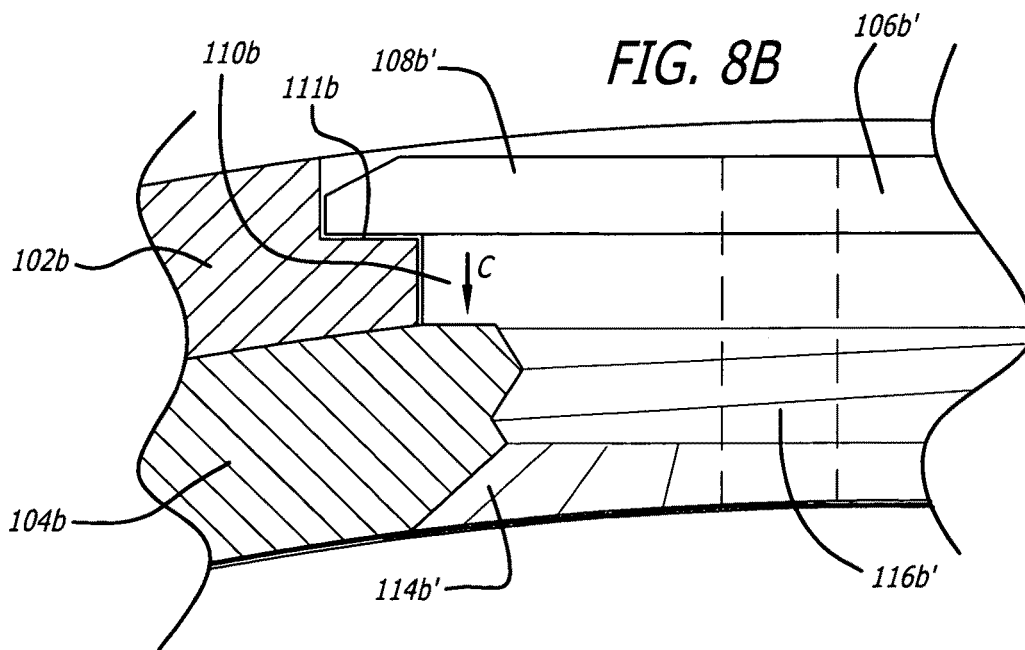
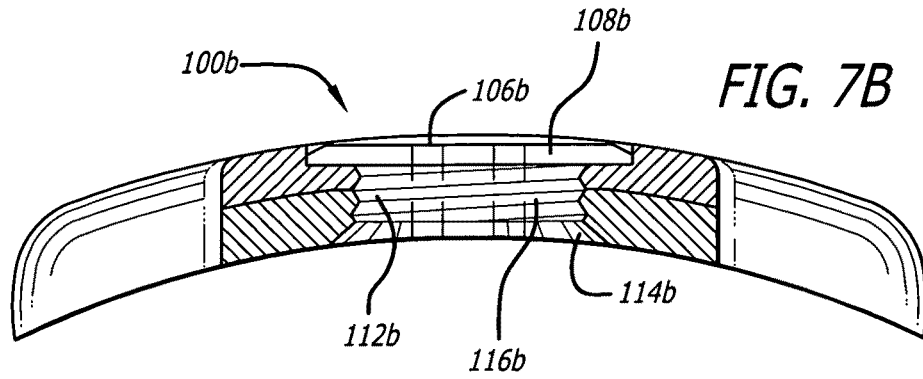
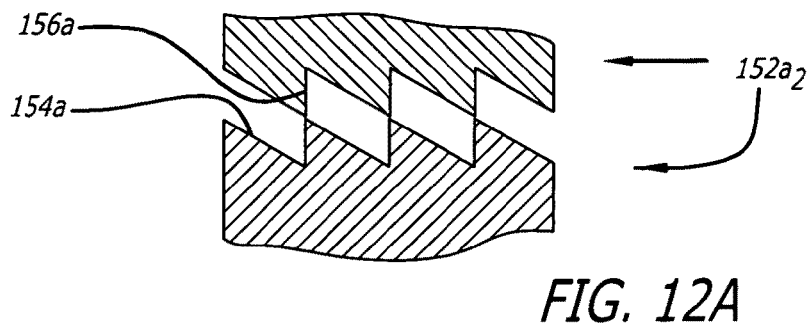
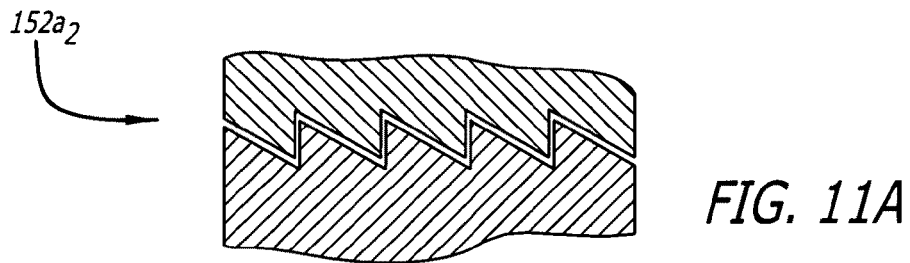
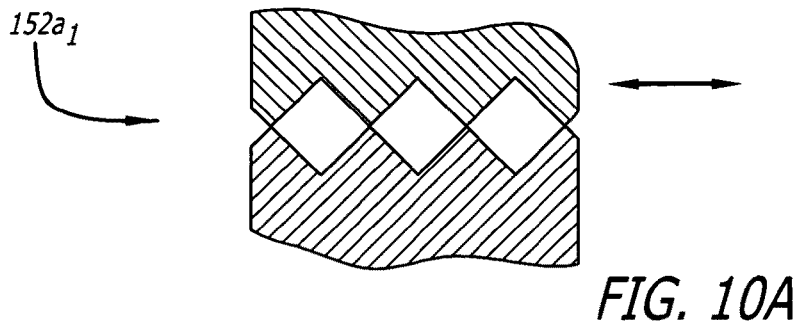
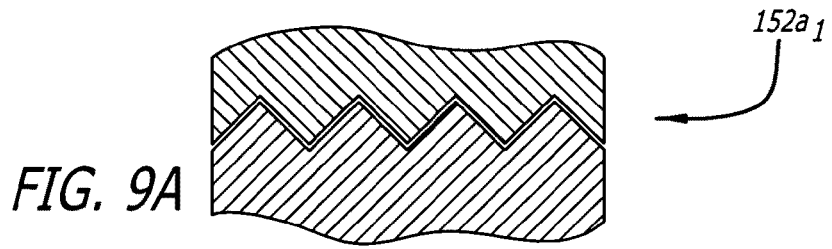


FIG. 6C





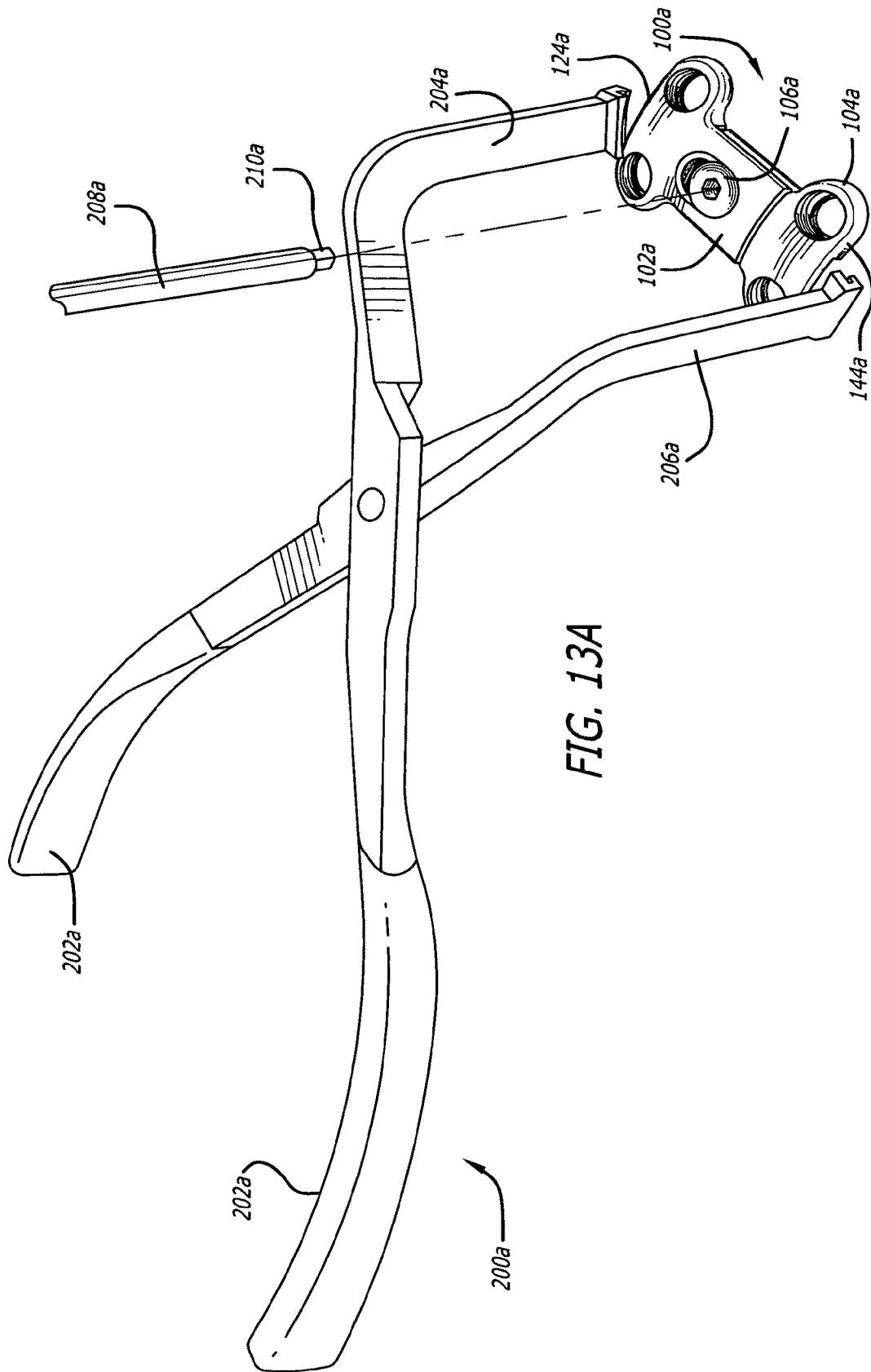


FIG. 13A

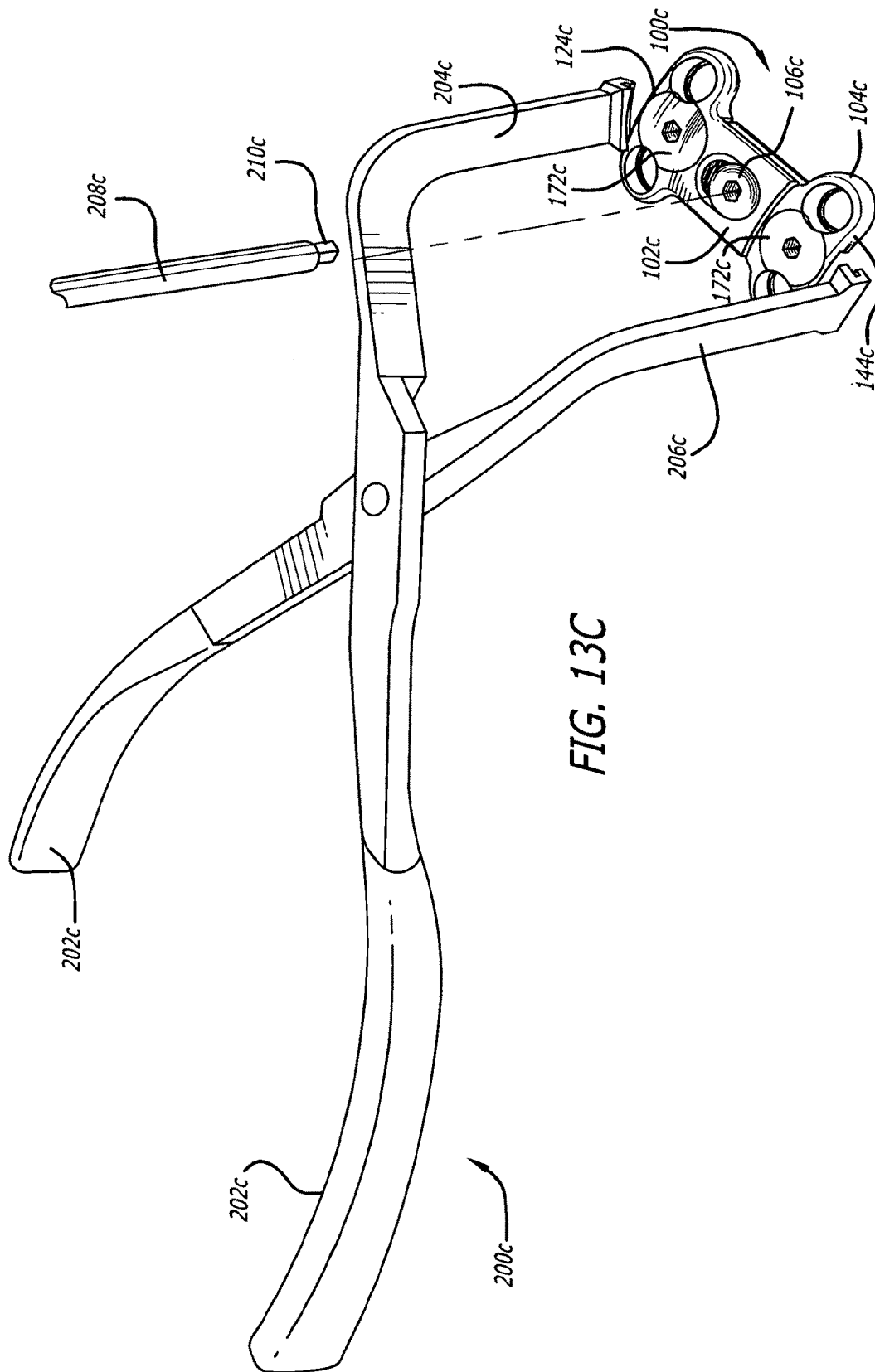
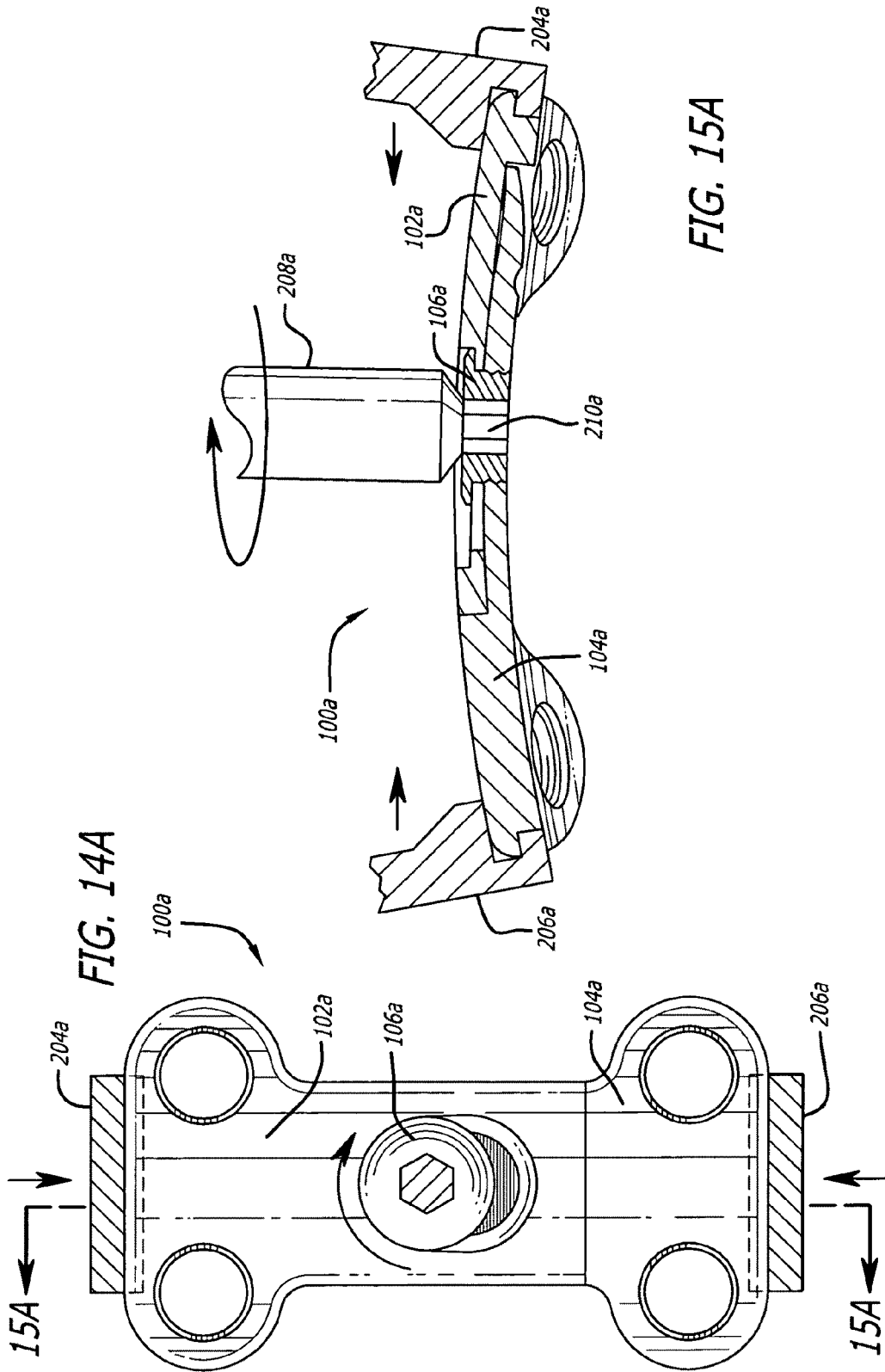


FIG. 13C



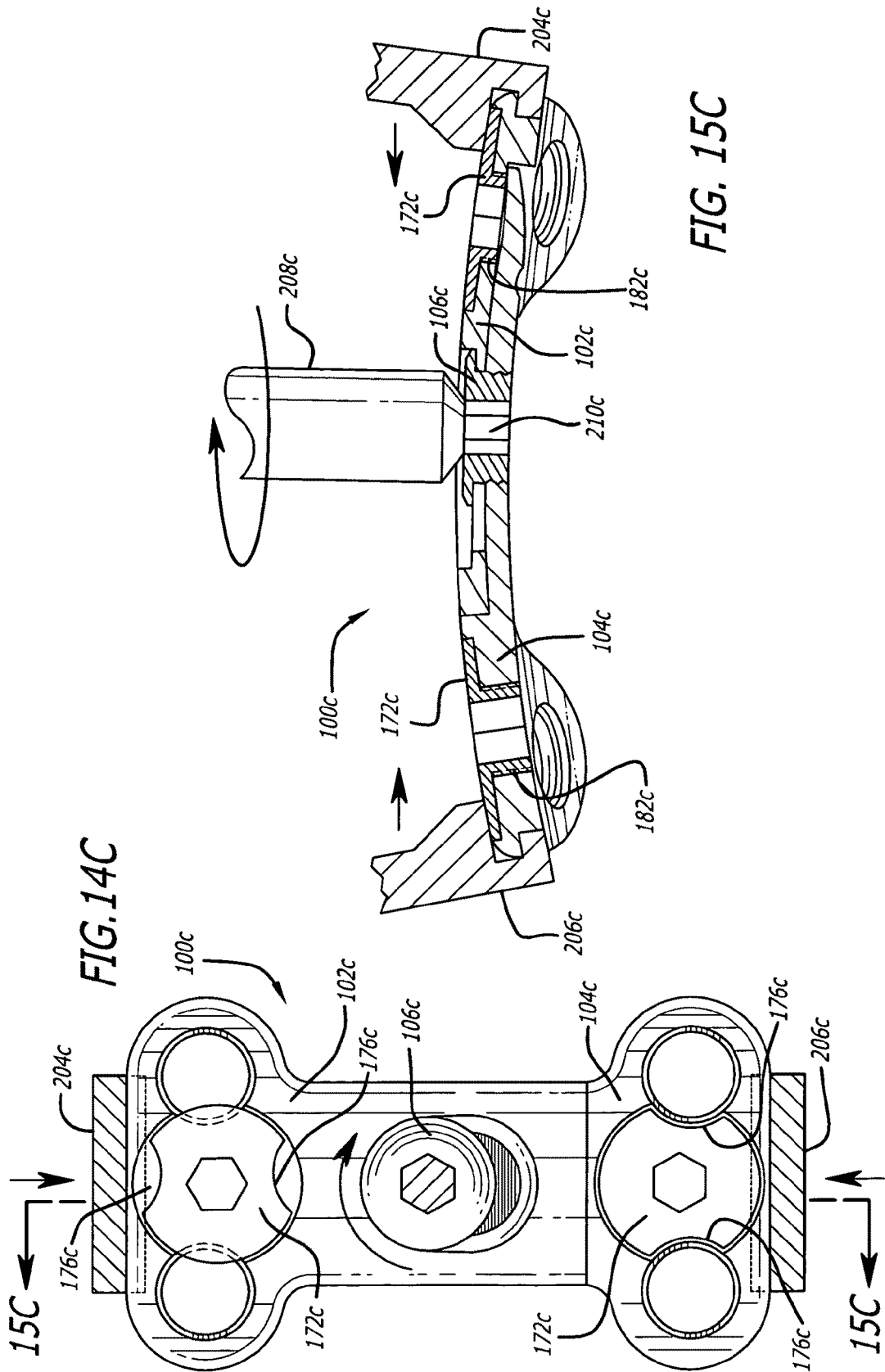


FIG. 14C

FIG. 15C

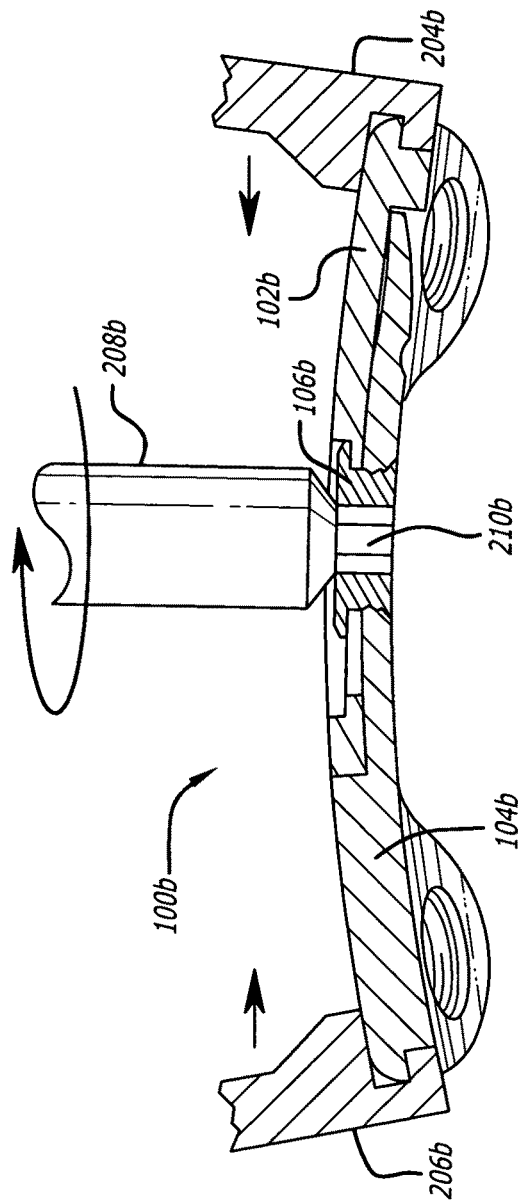


FIG. 15B

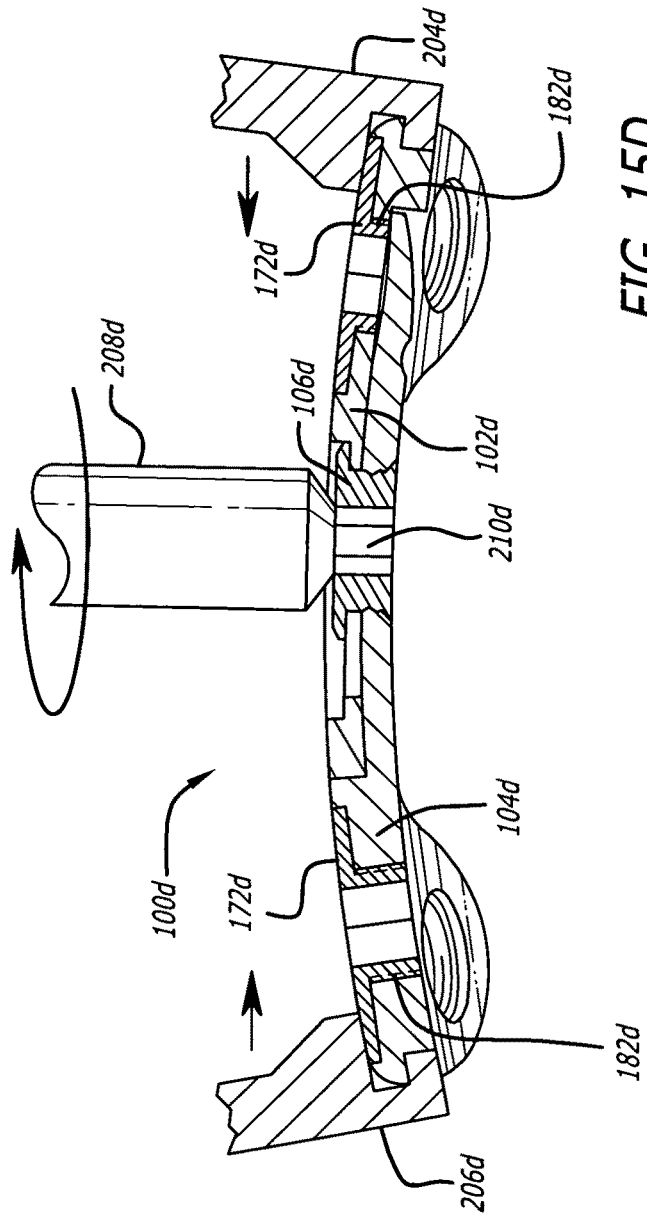


FIG. 15D

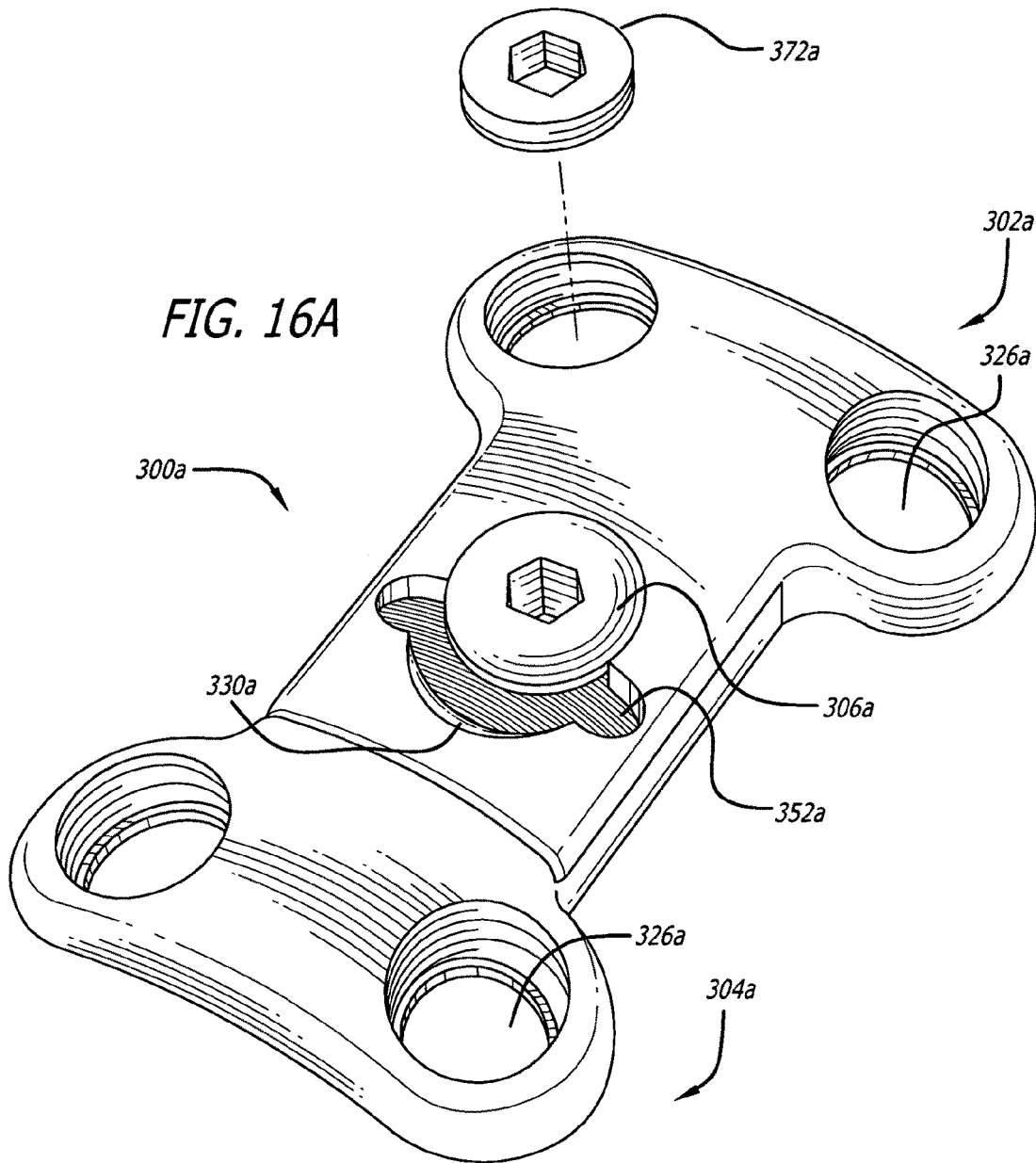
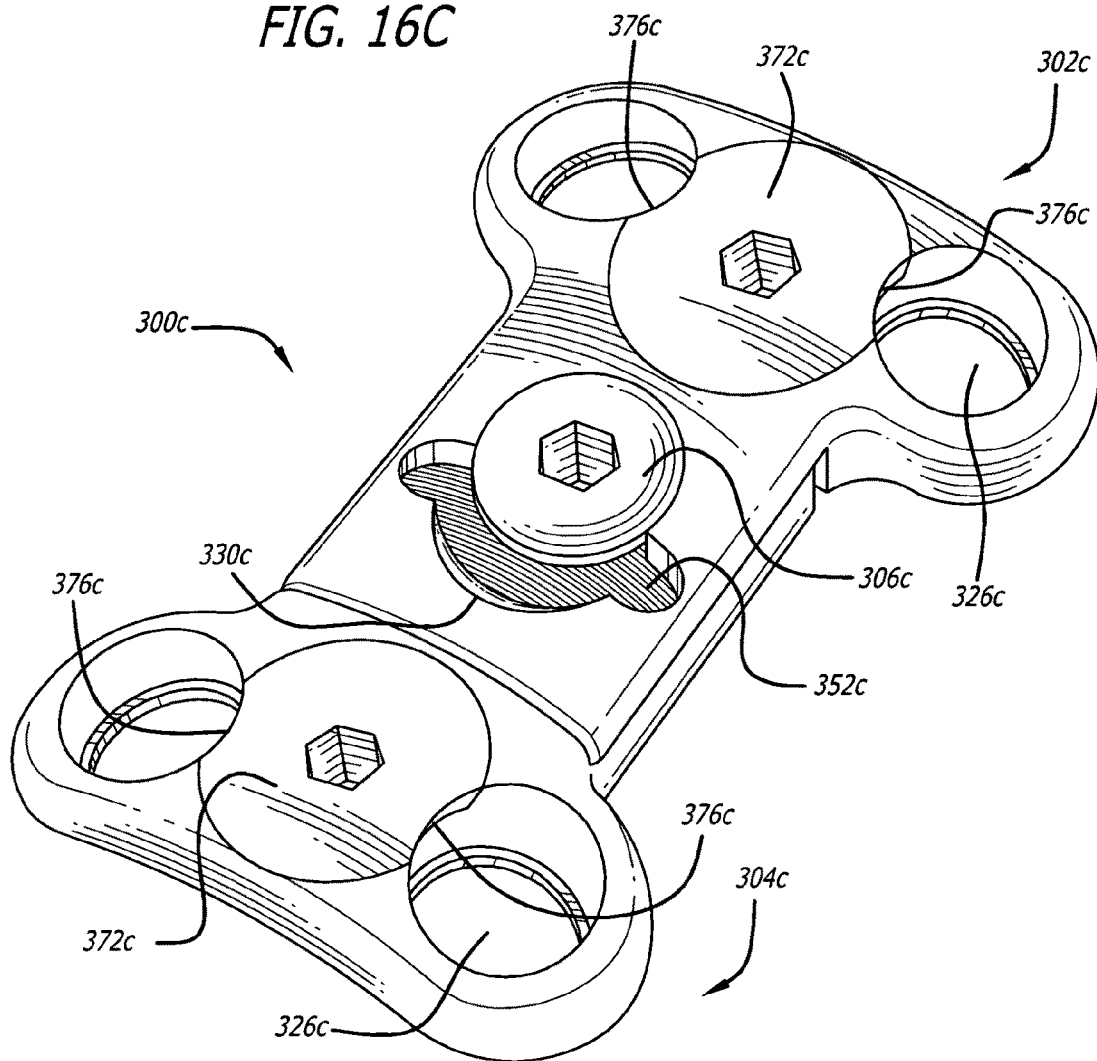
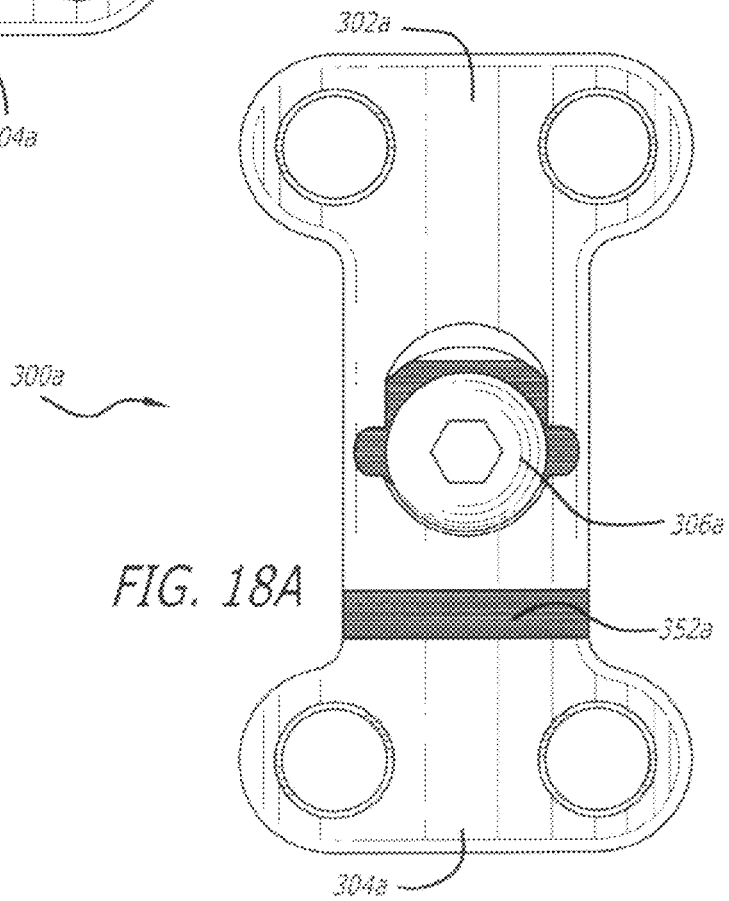
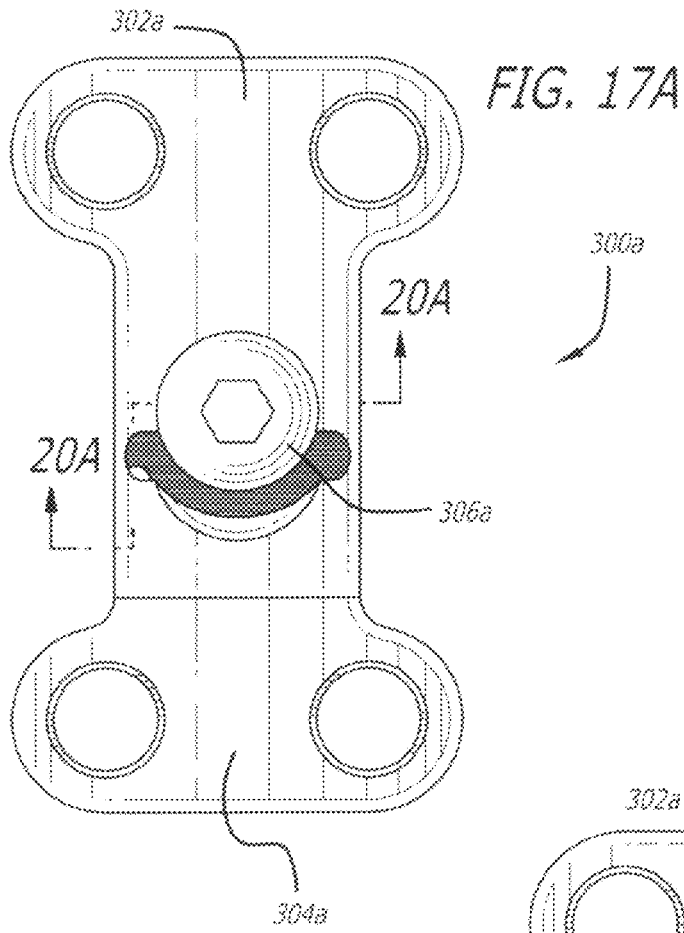


FIG. 16C





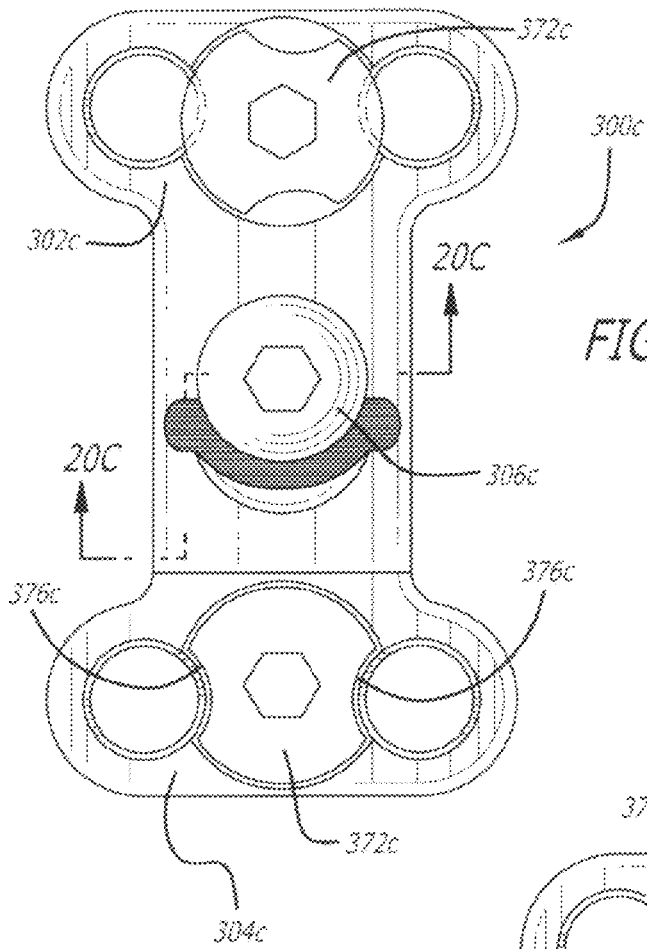


FIG. 17C

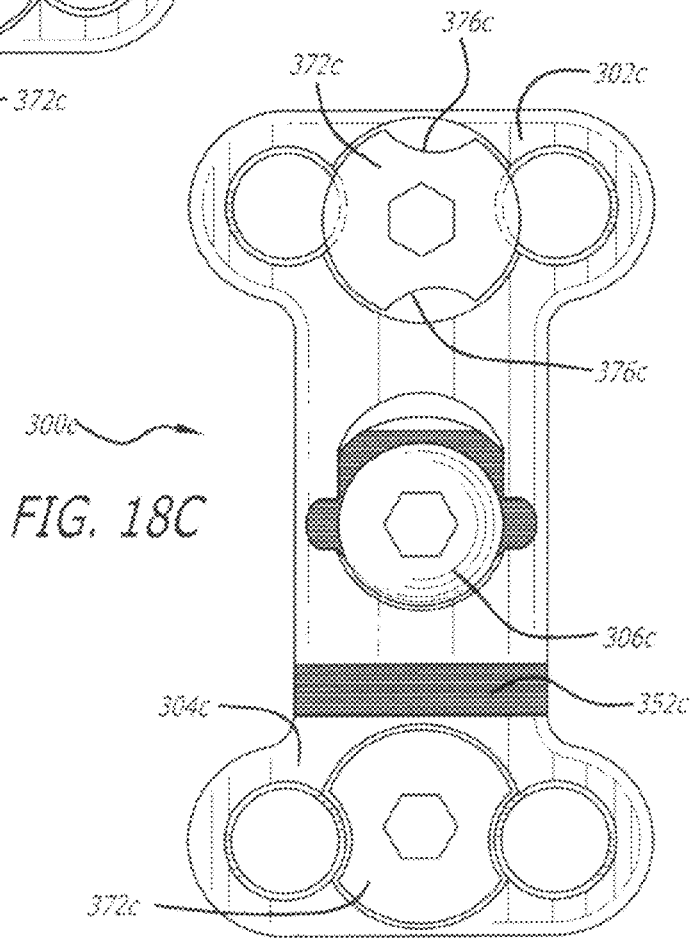


FIG. 18C

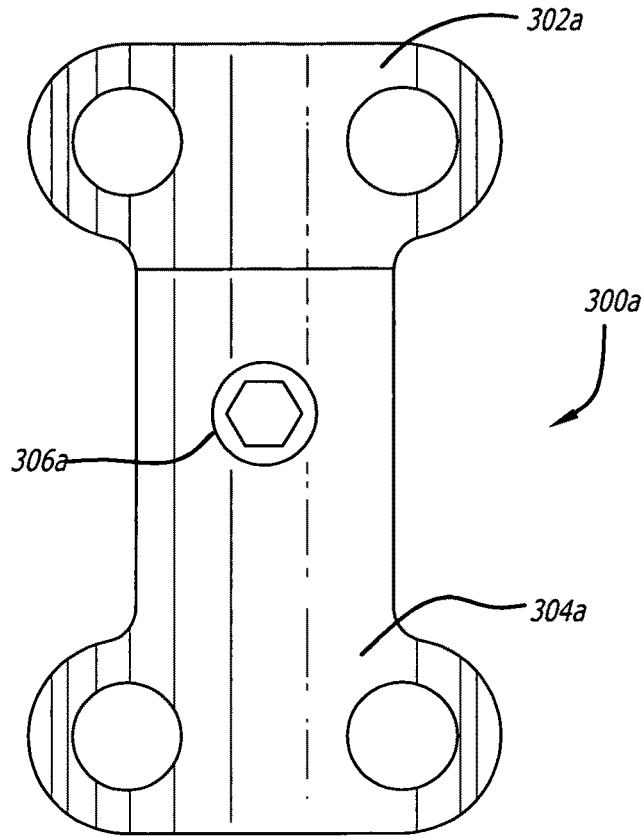


FIG. 19A

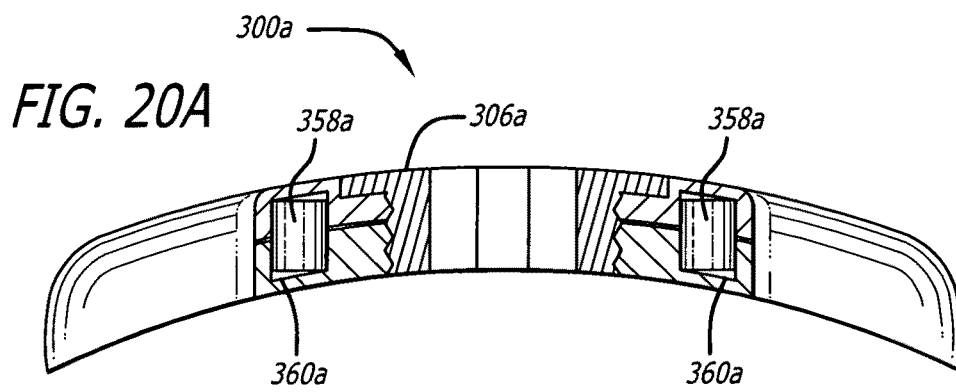


FIG. 20A

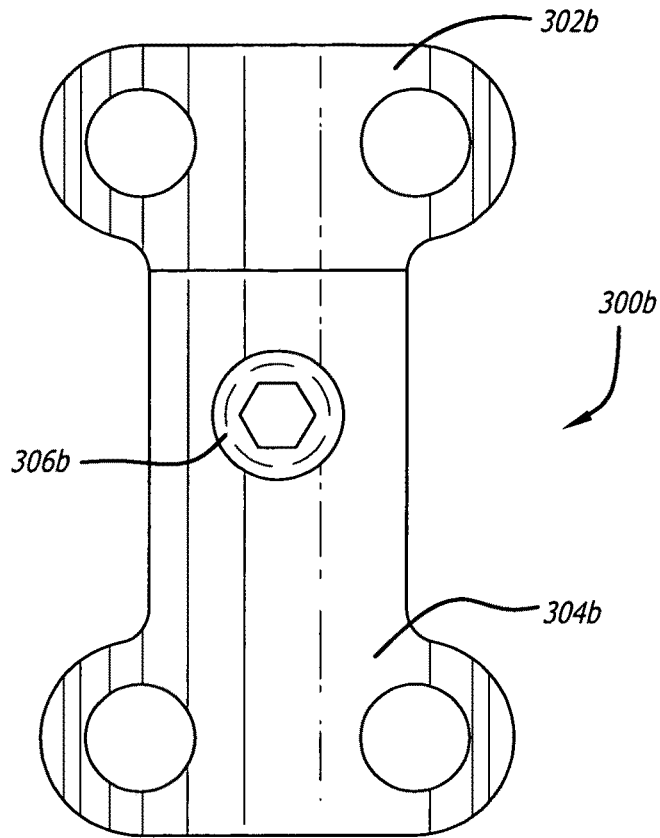


FIG. 19B

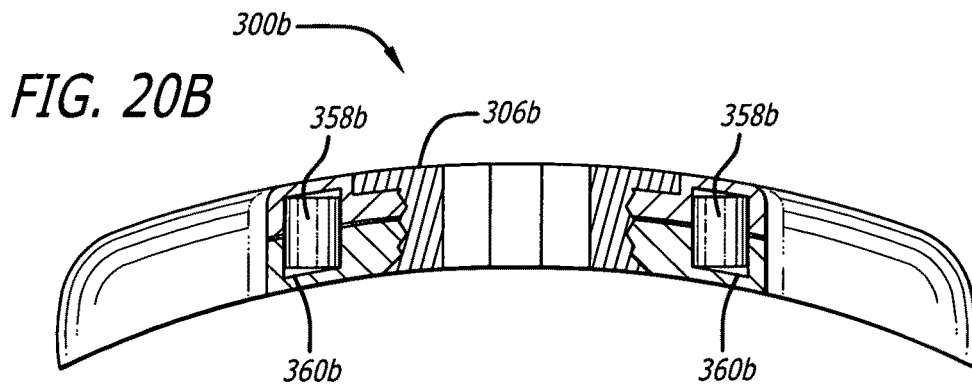


FIG. 20B

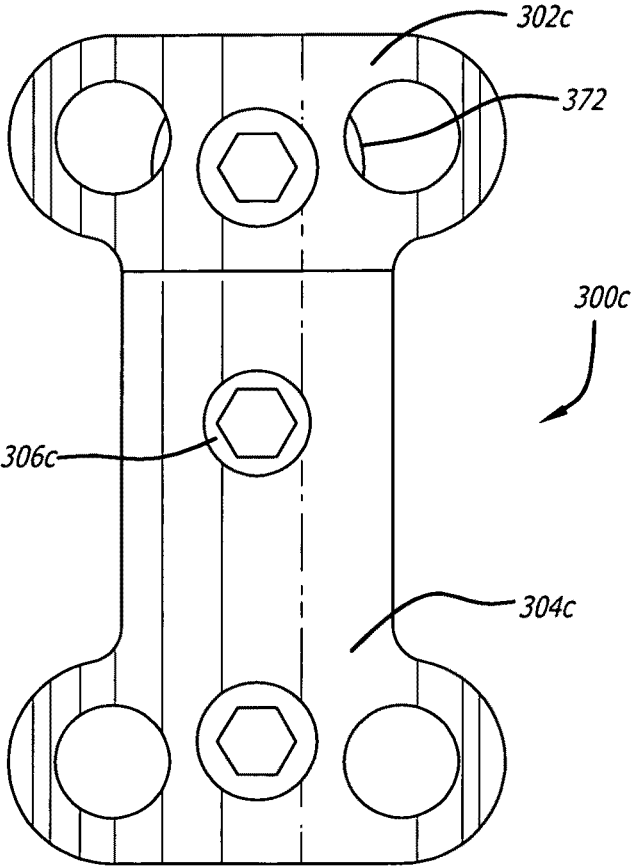


FIG. 19C

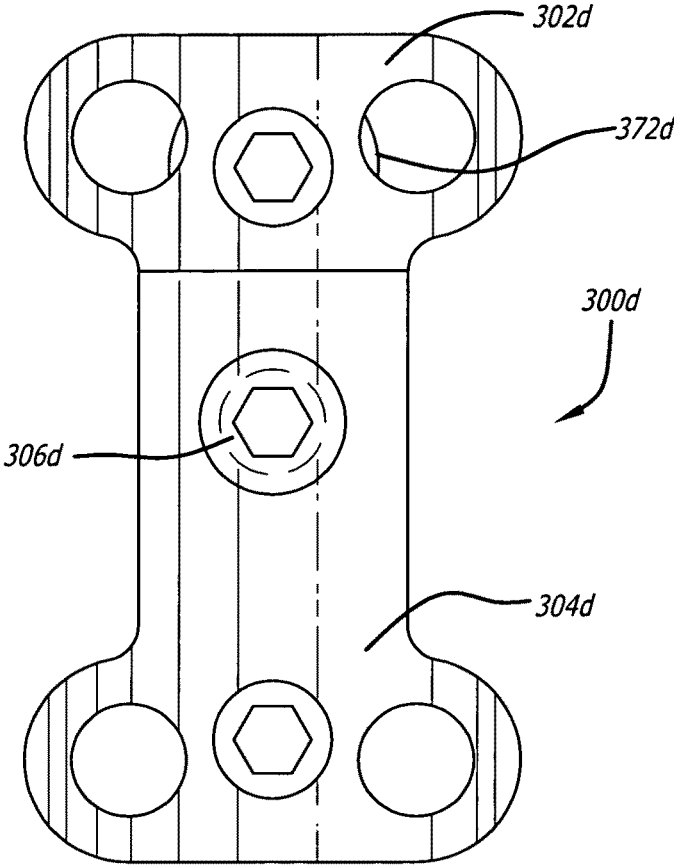
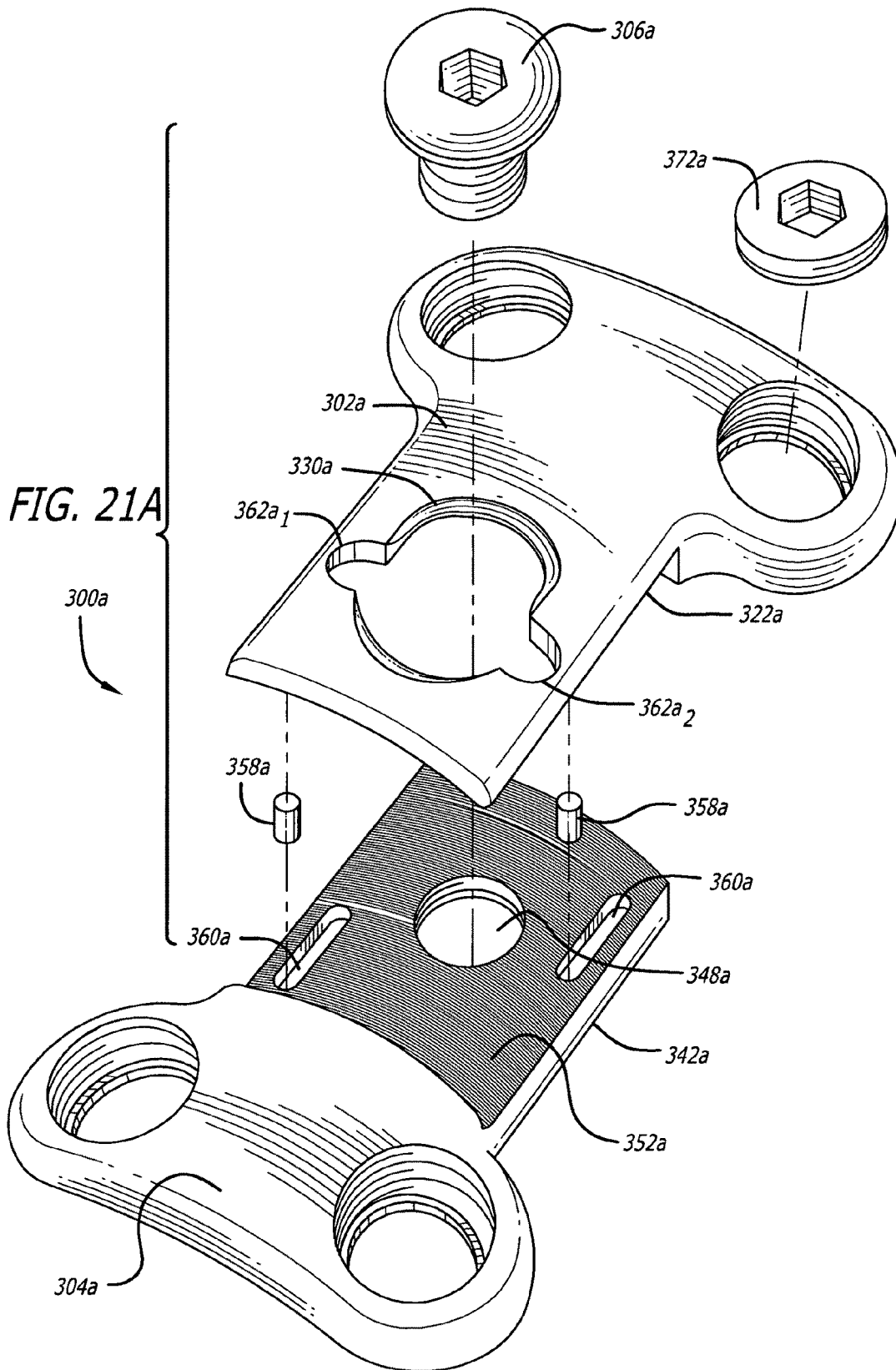
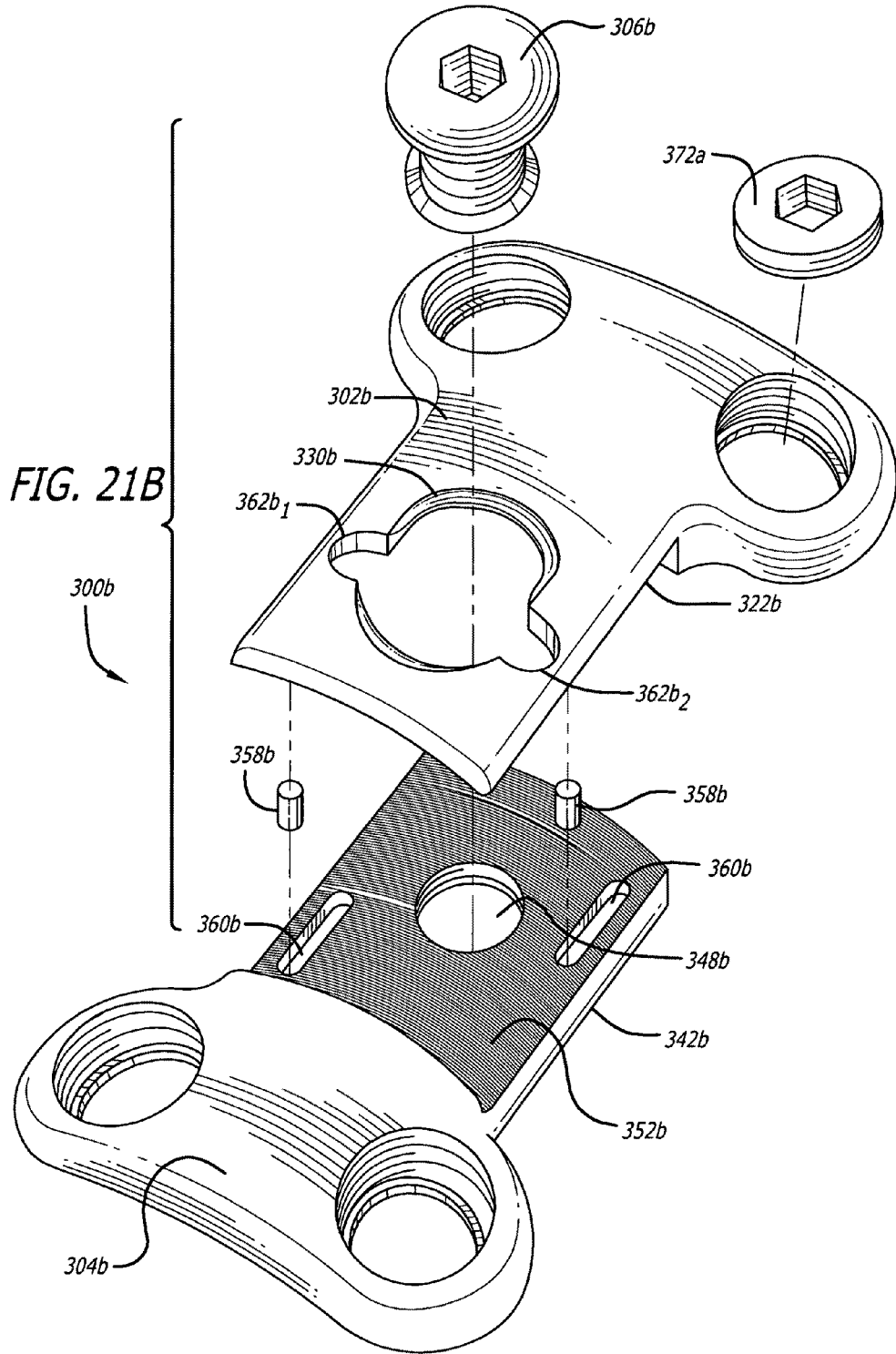
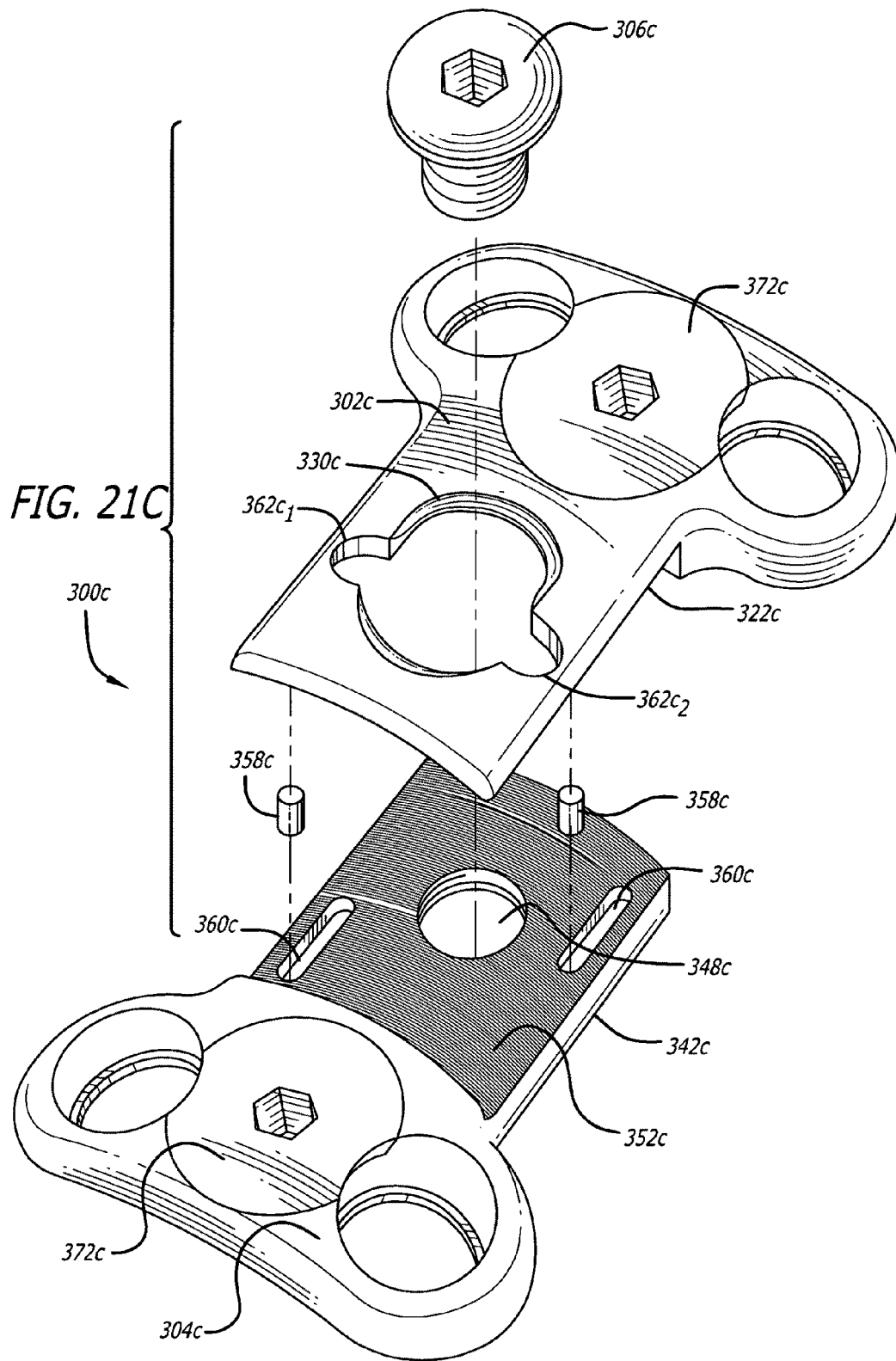
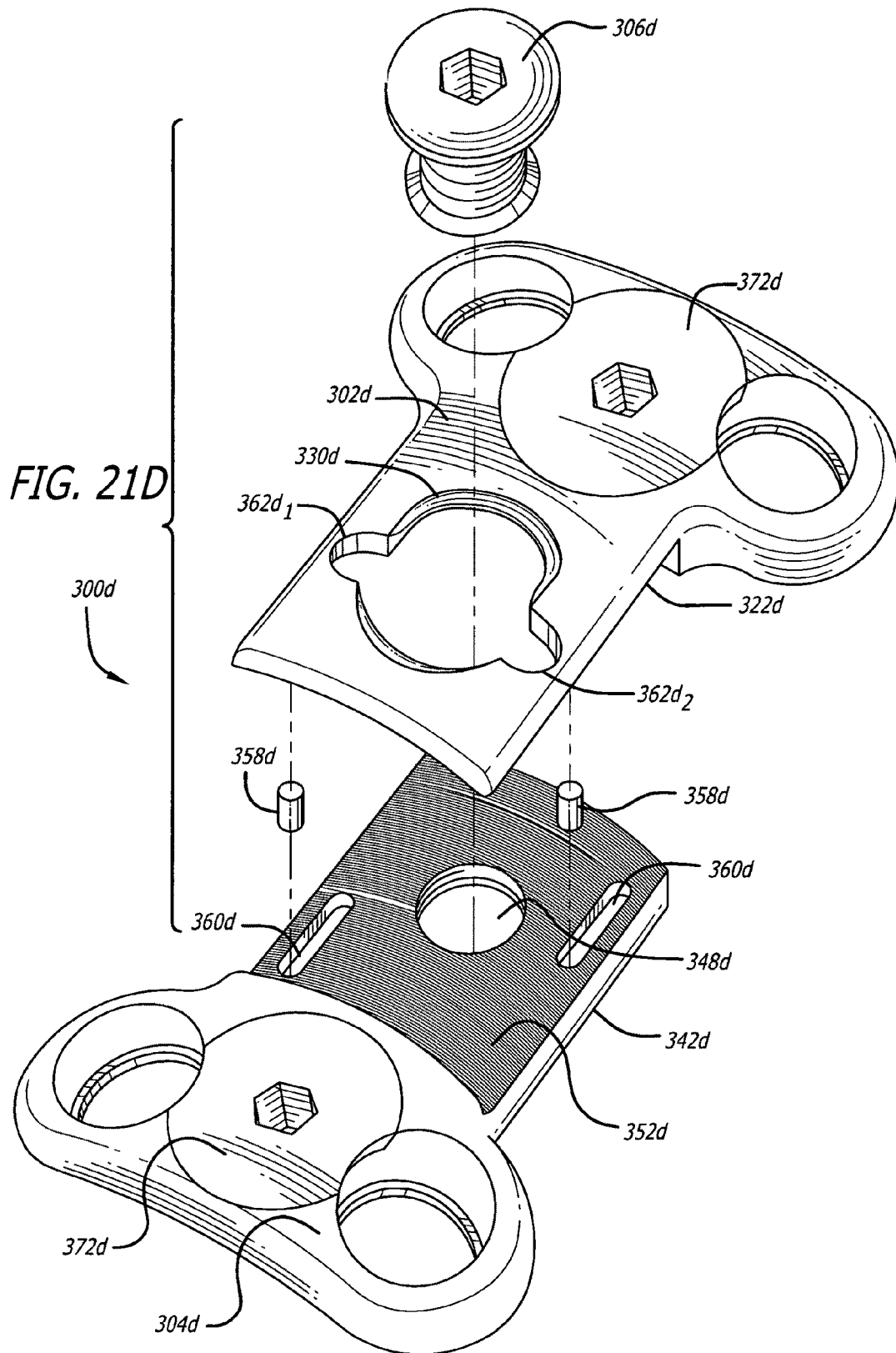


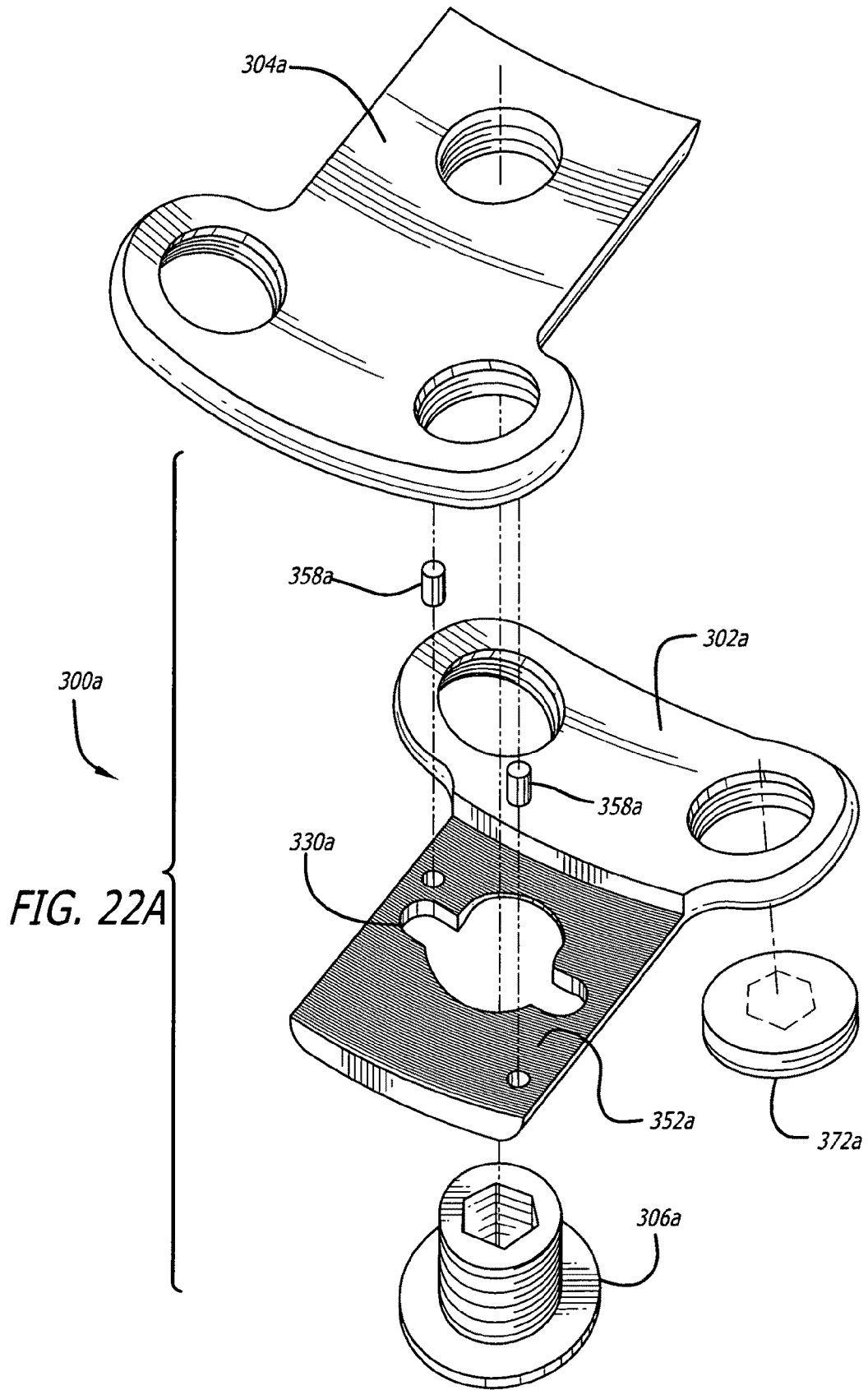
FIG. 19D

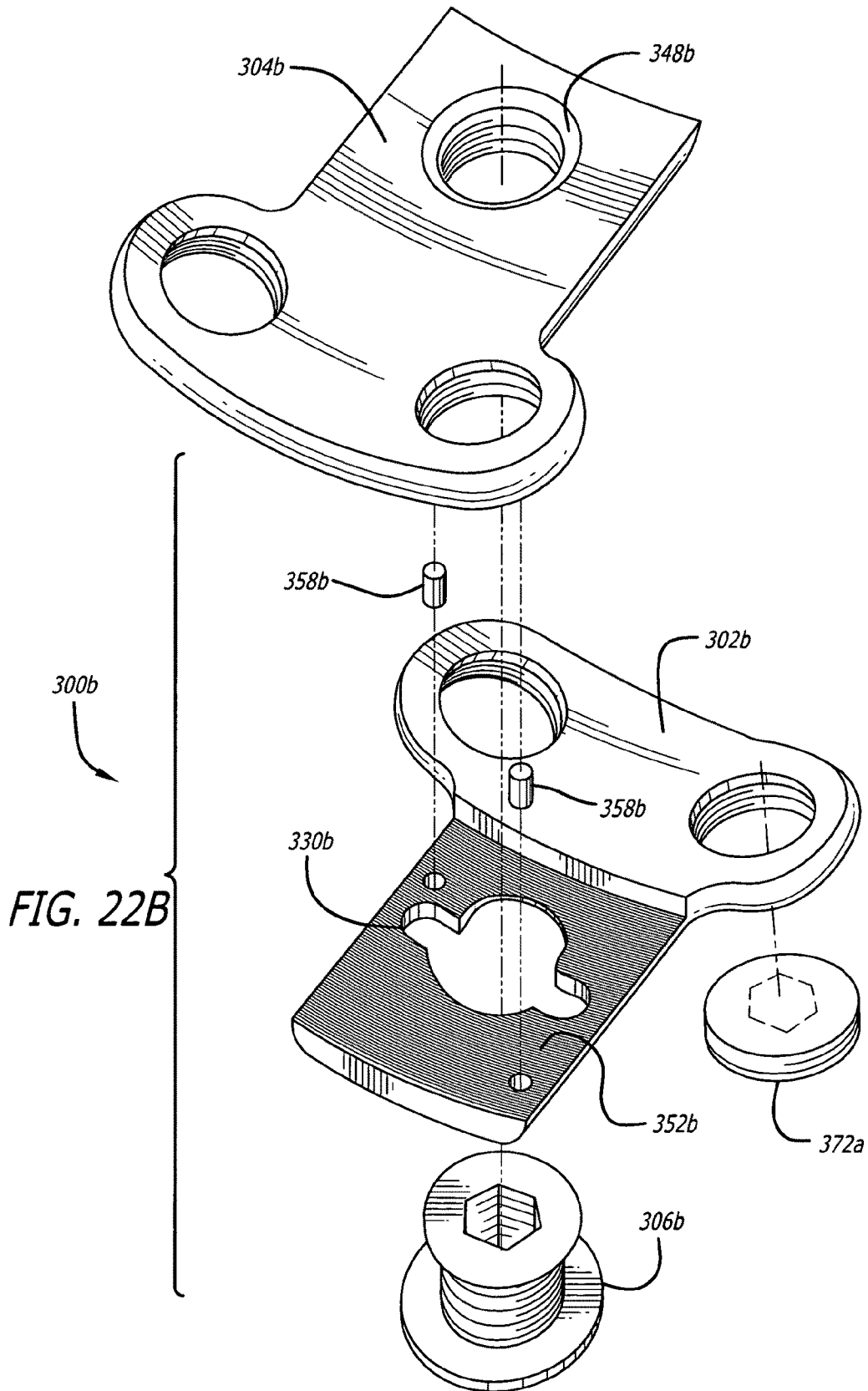


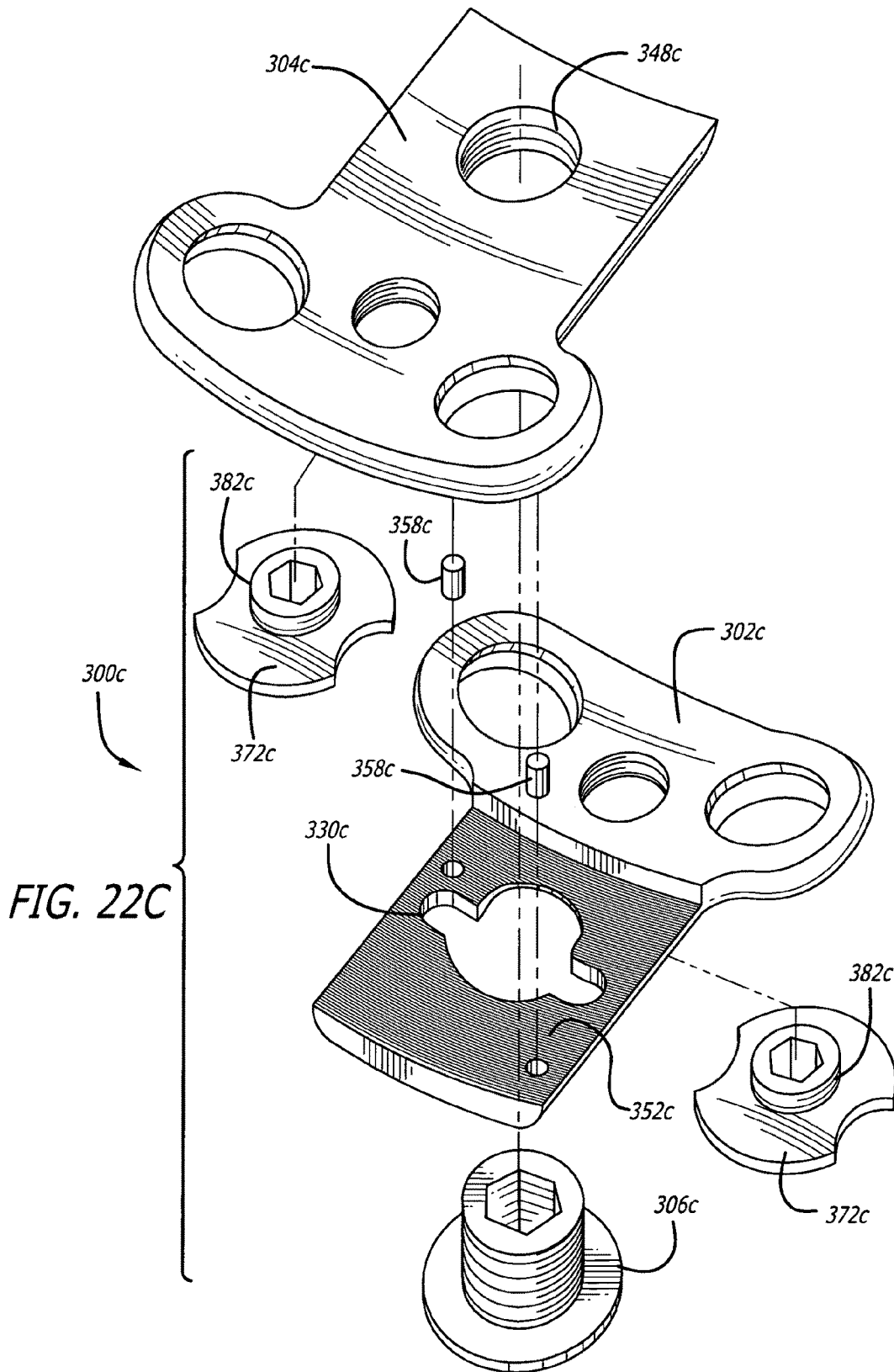












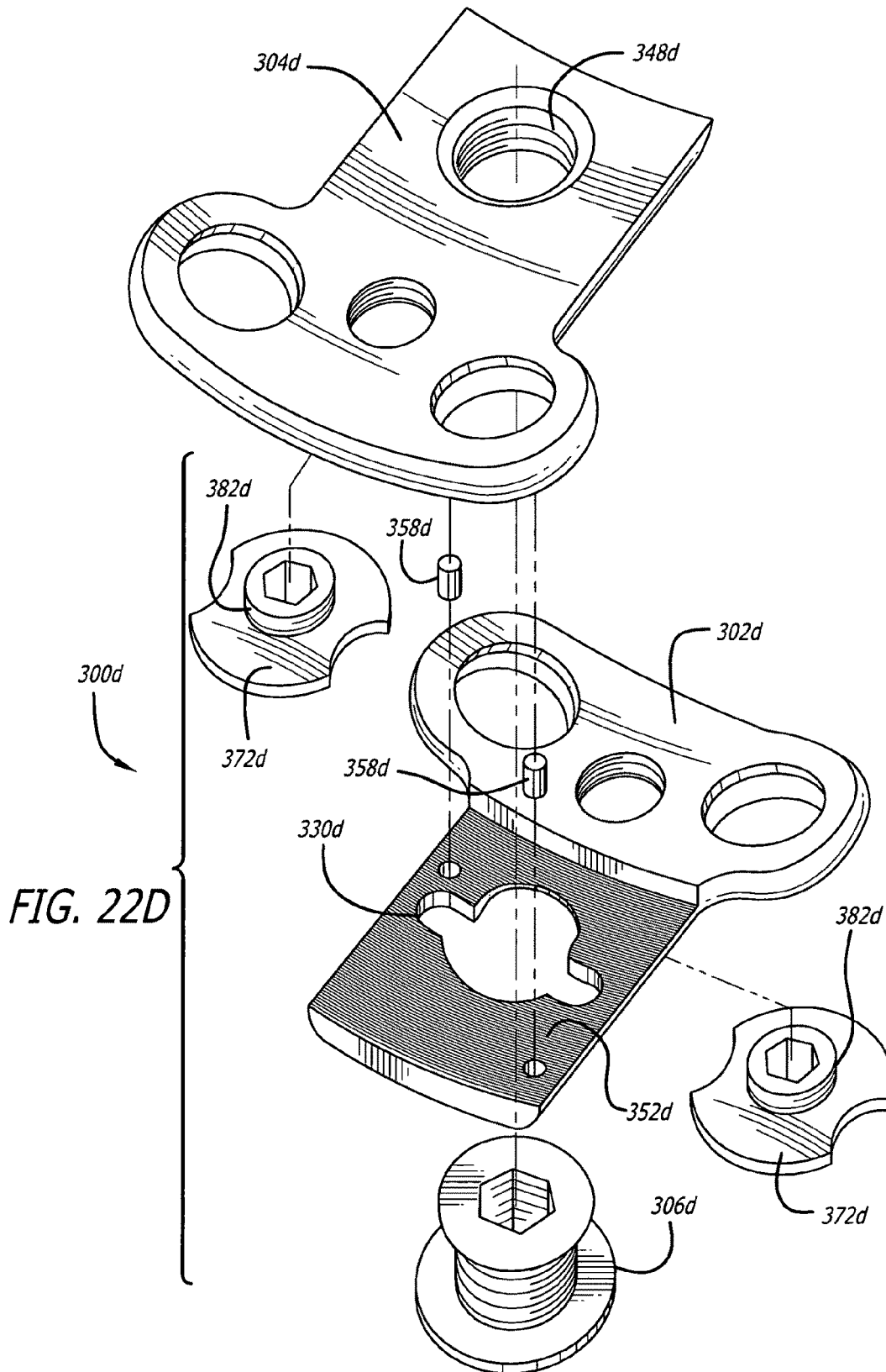
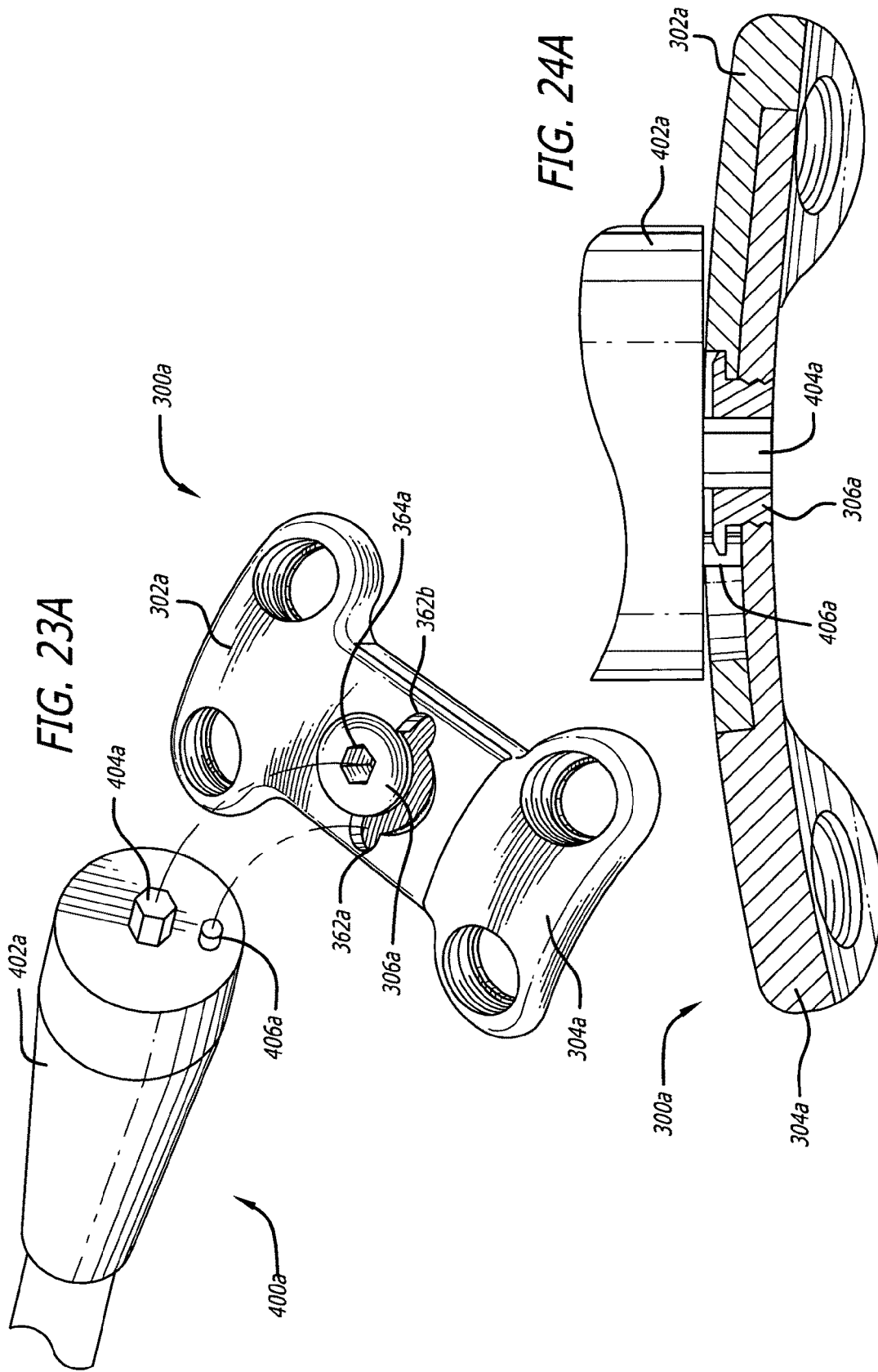
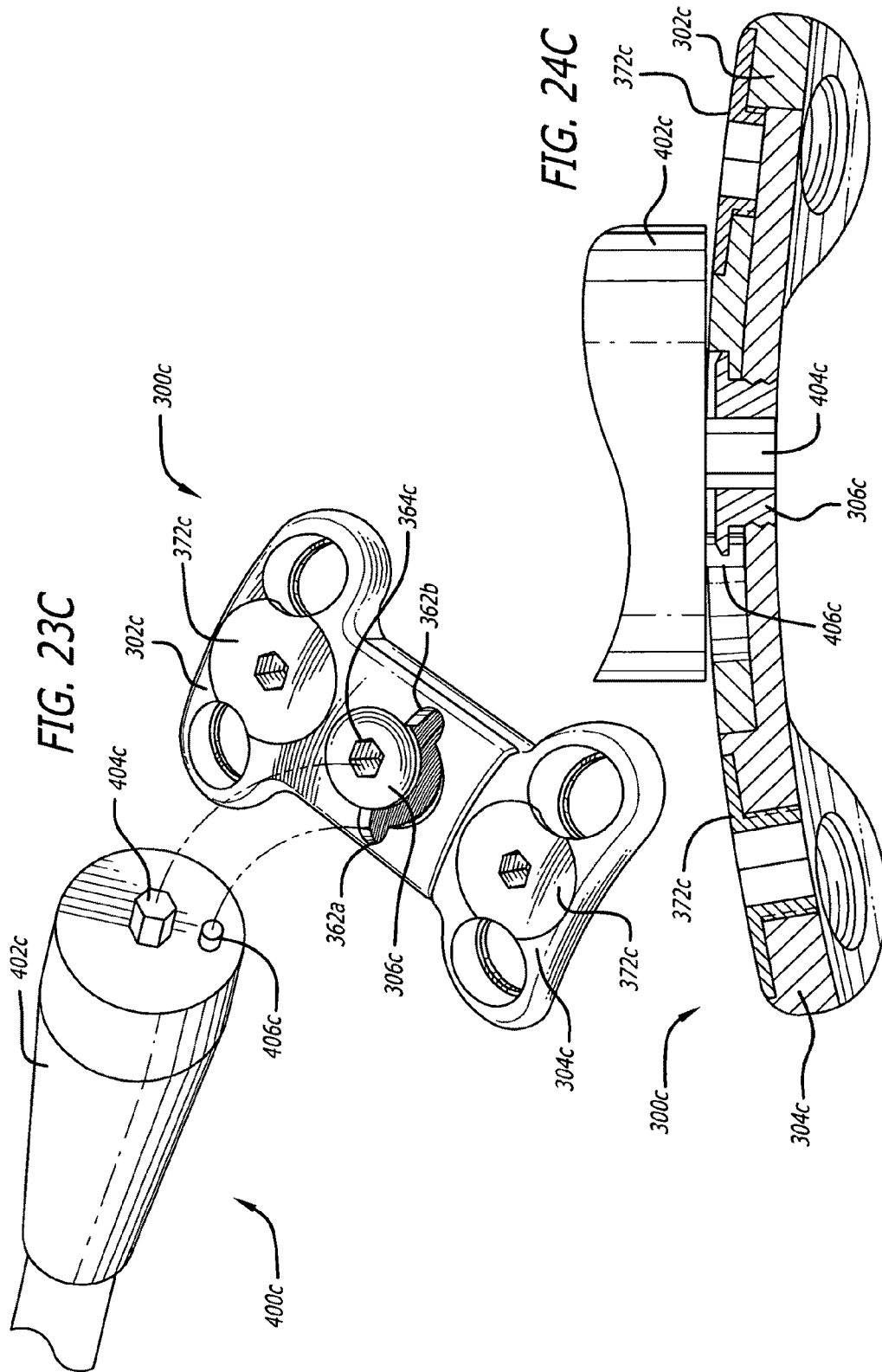
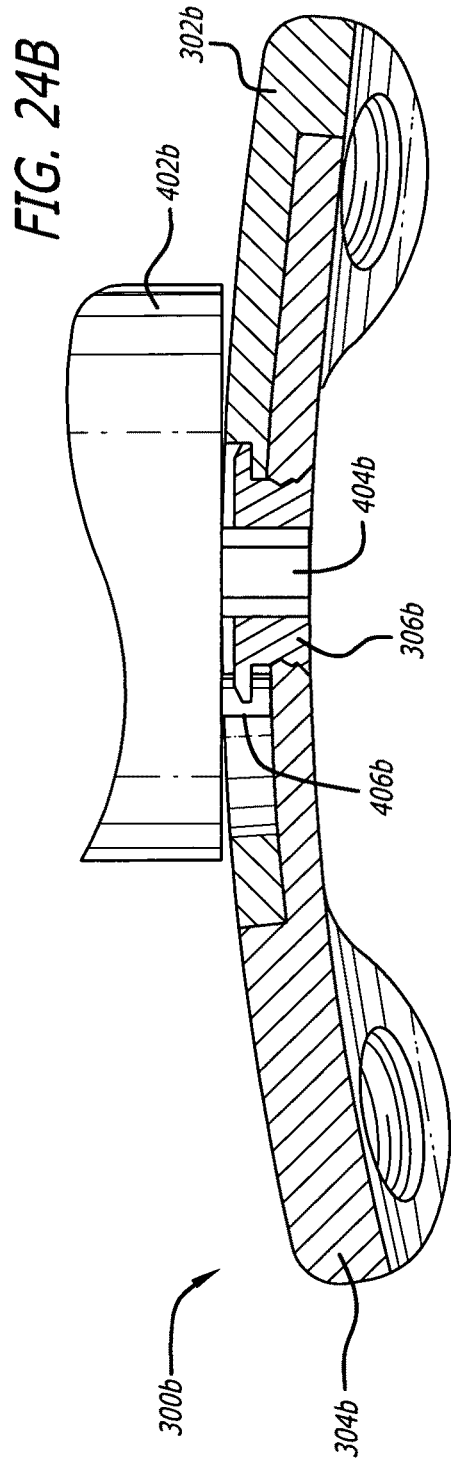
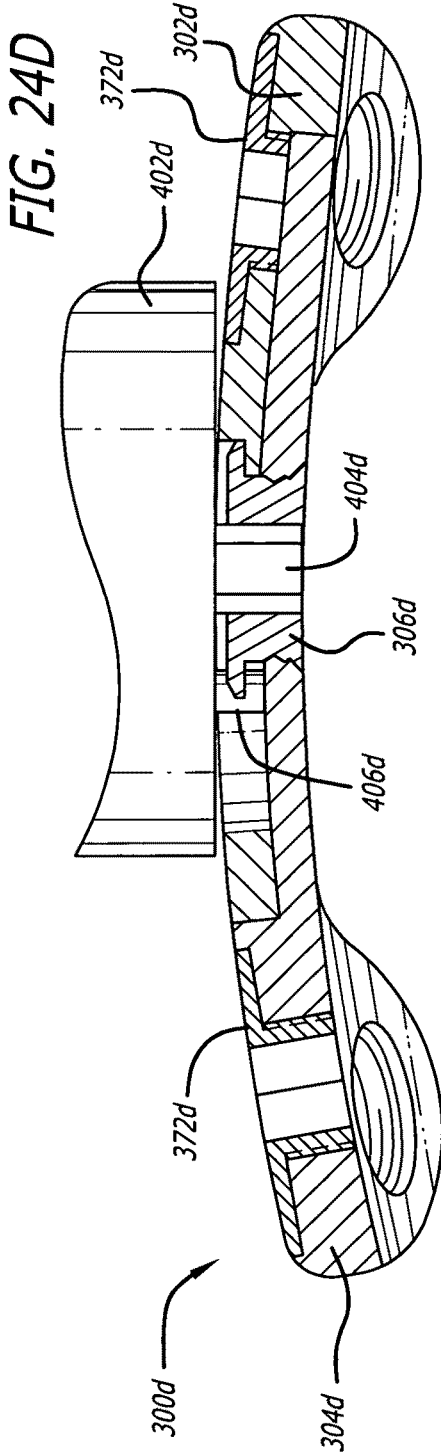


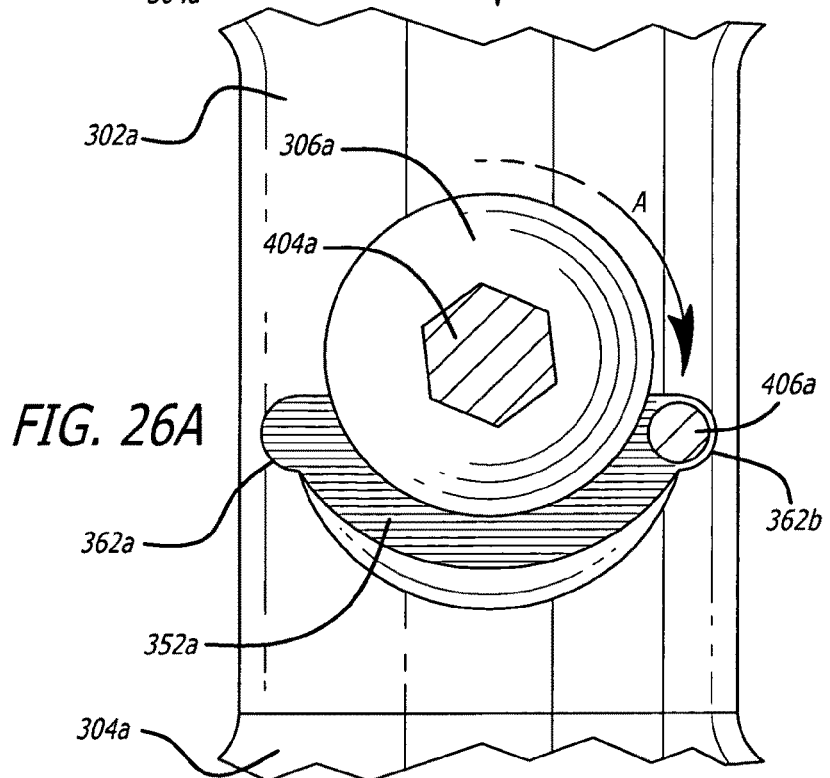
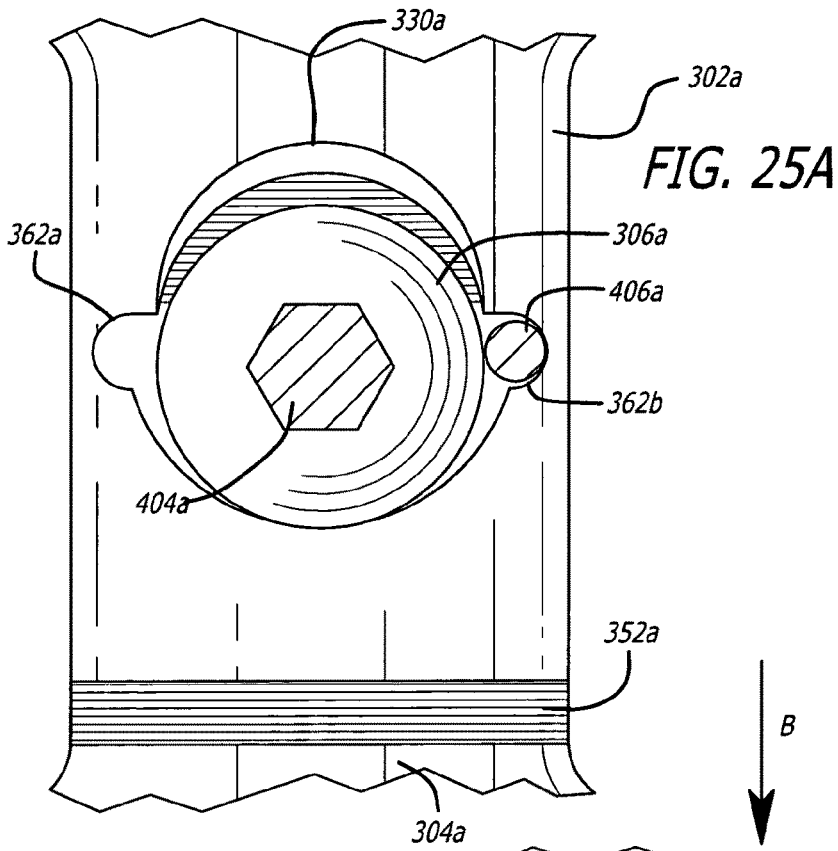
FIG. 22D











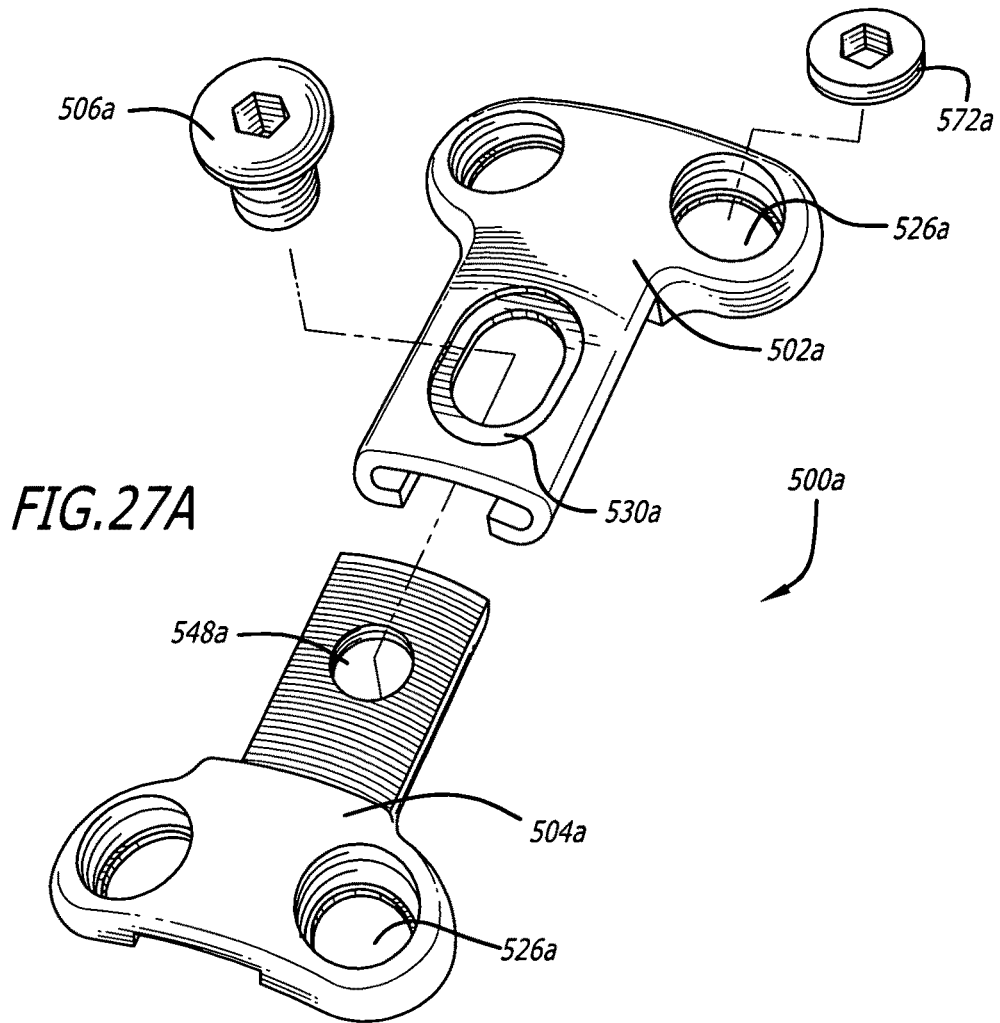
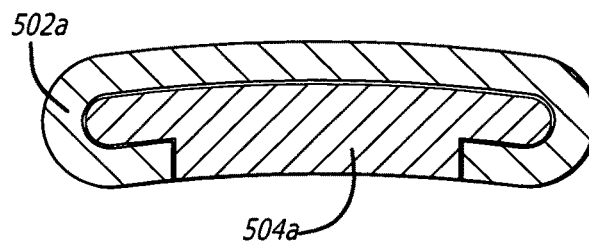
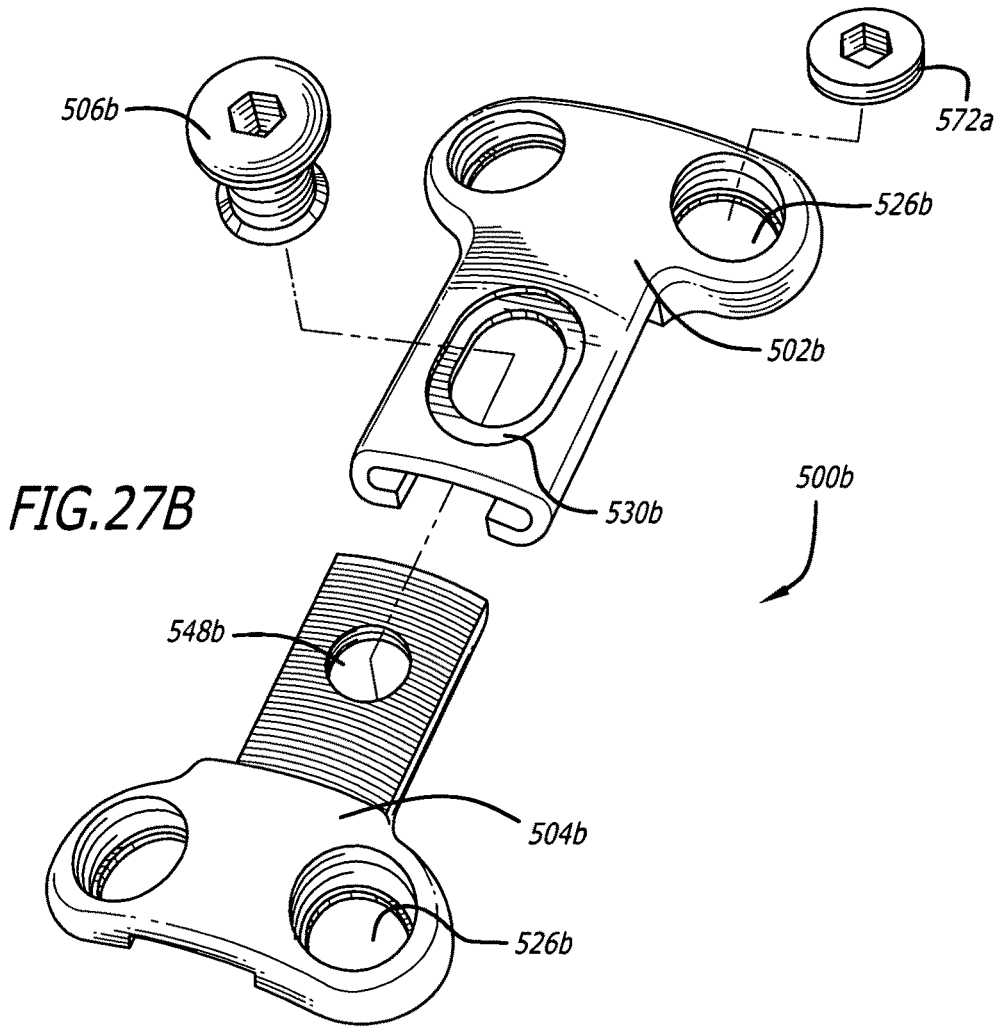


FIG. 28A





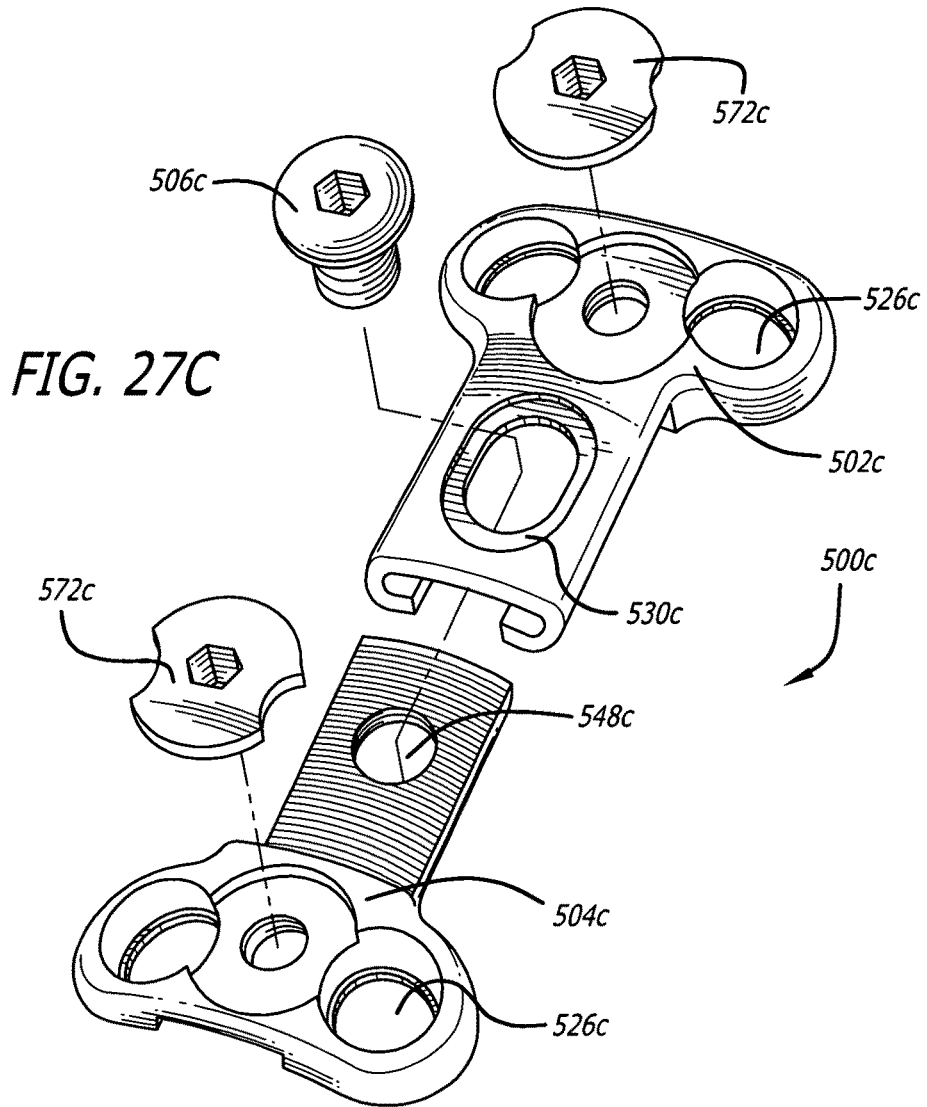


FIG. 27D

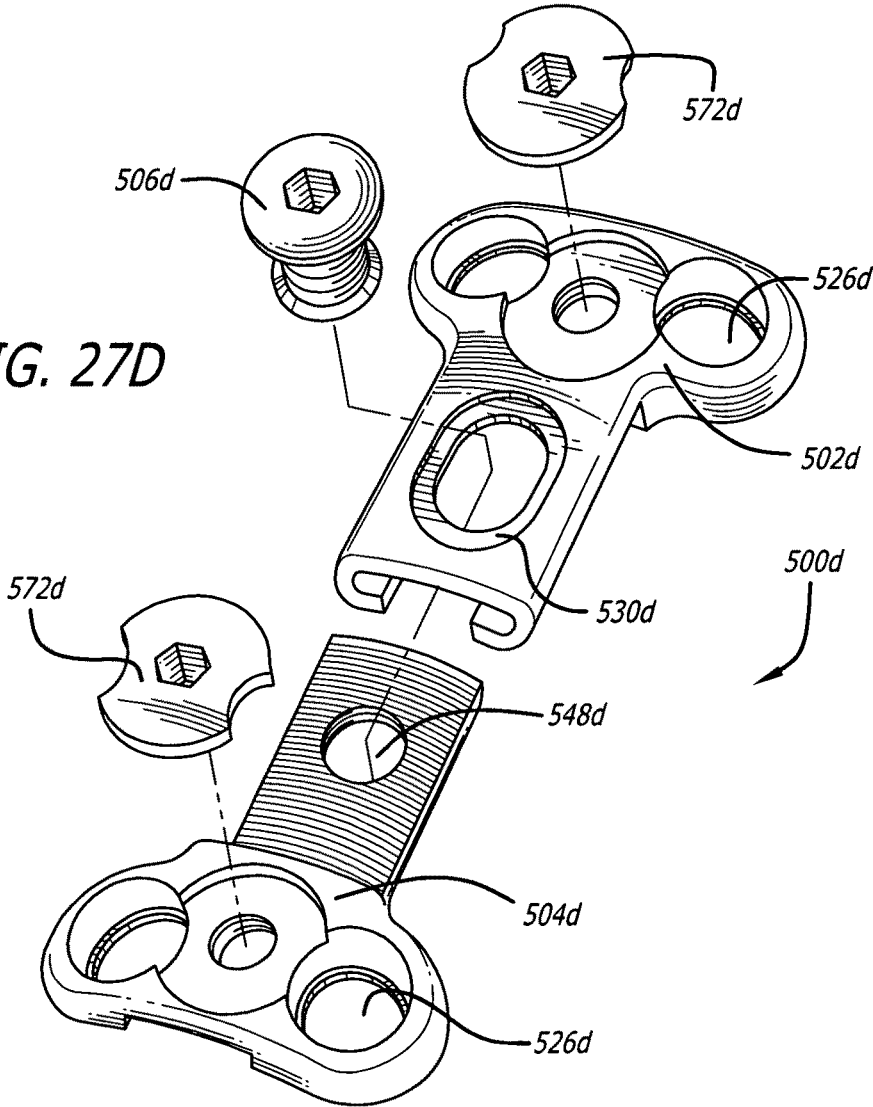
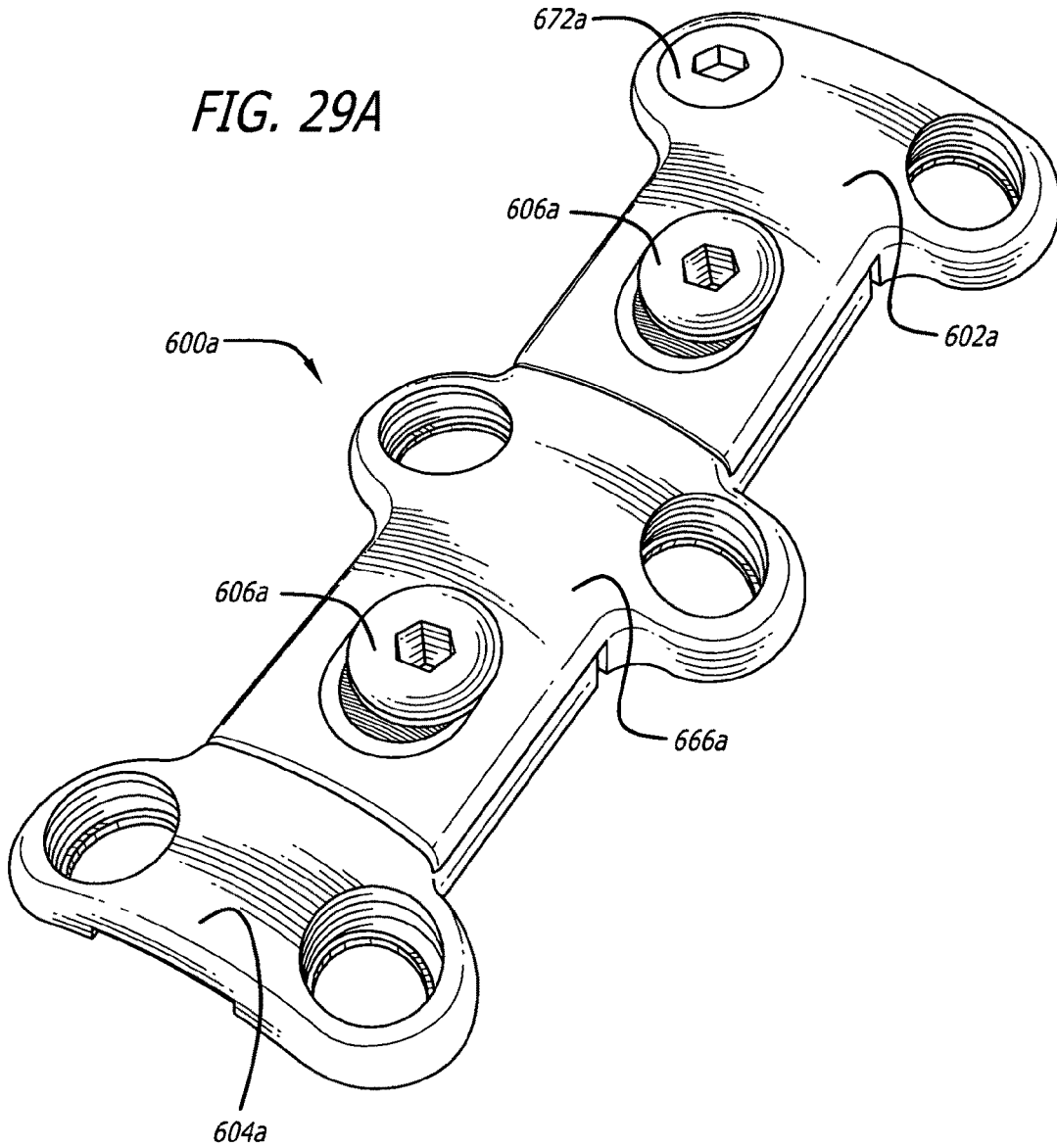
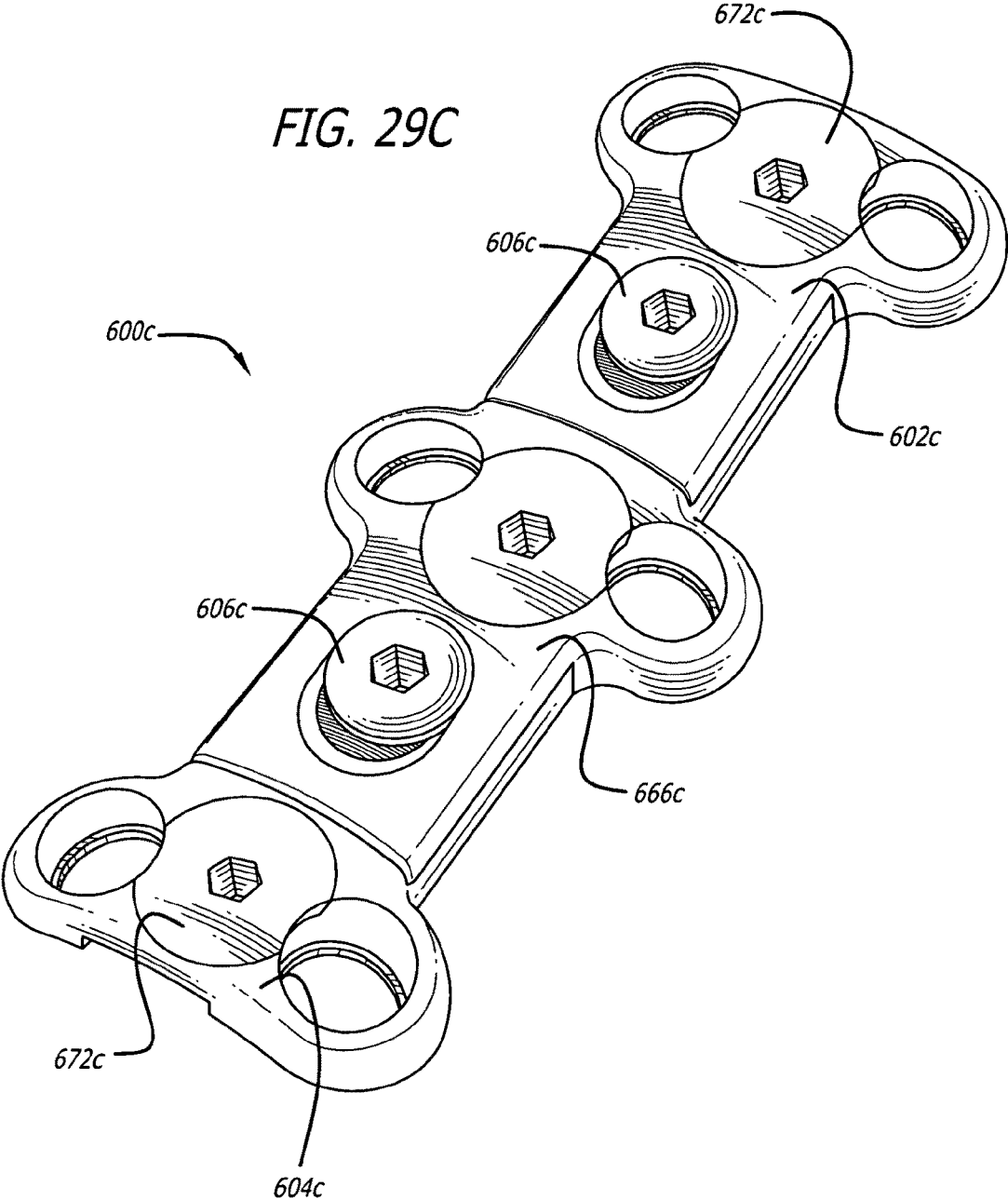
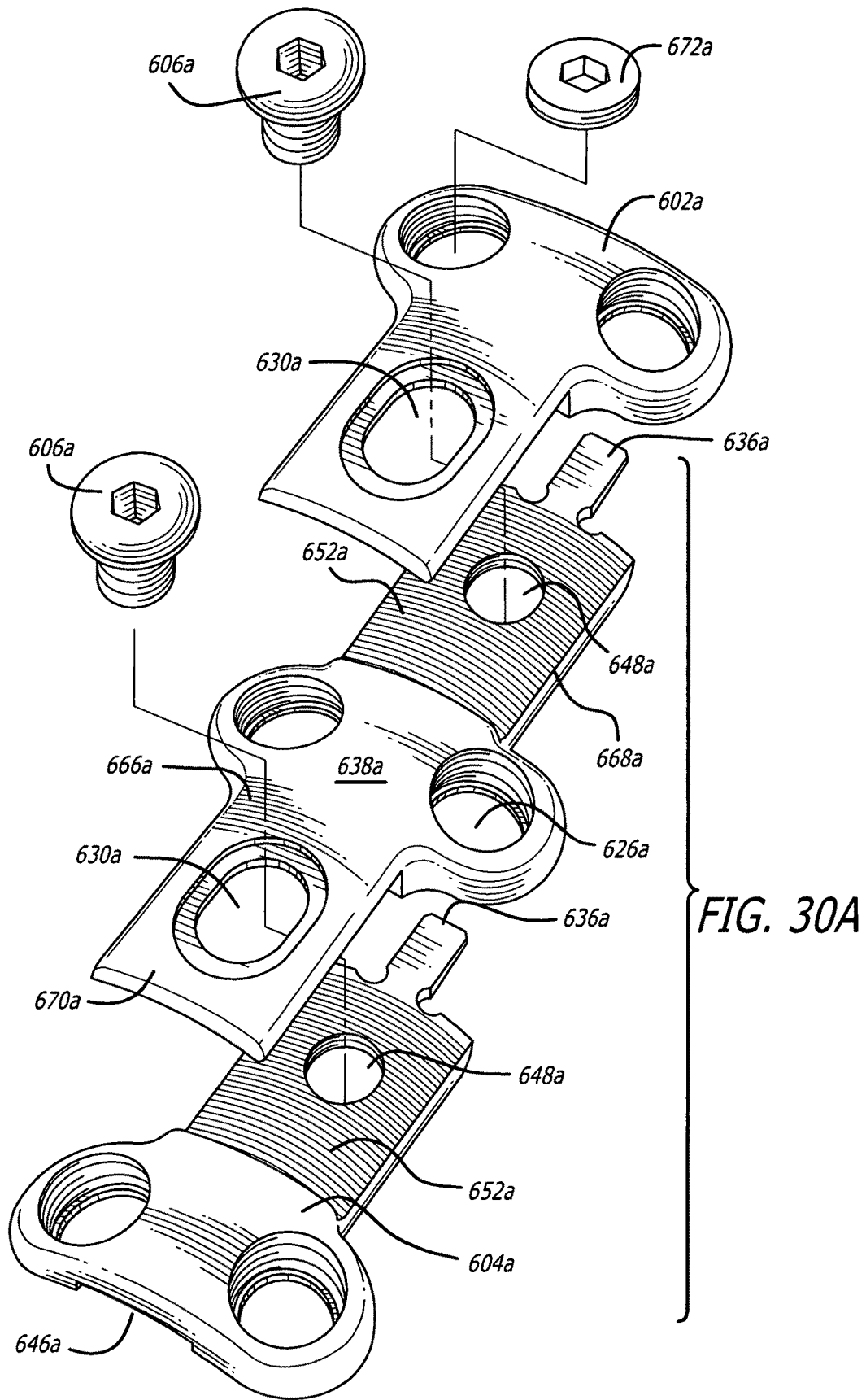
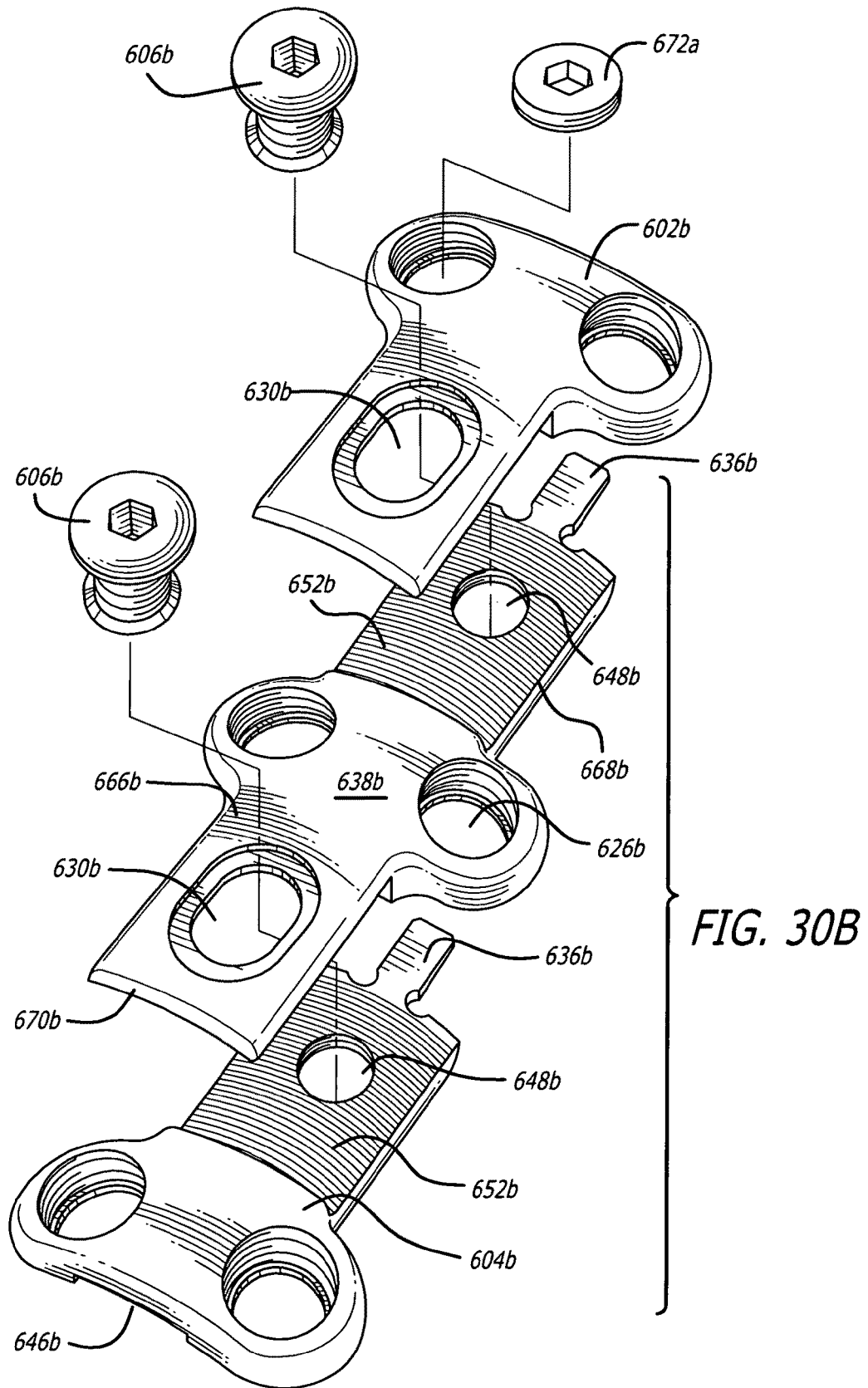


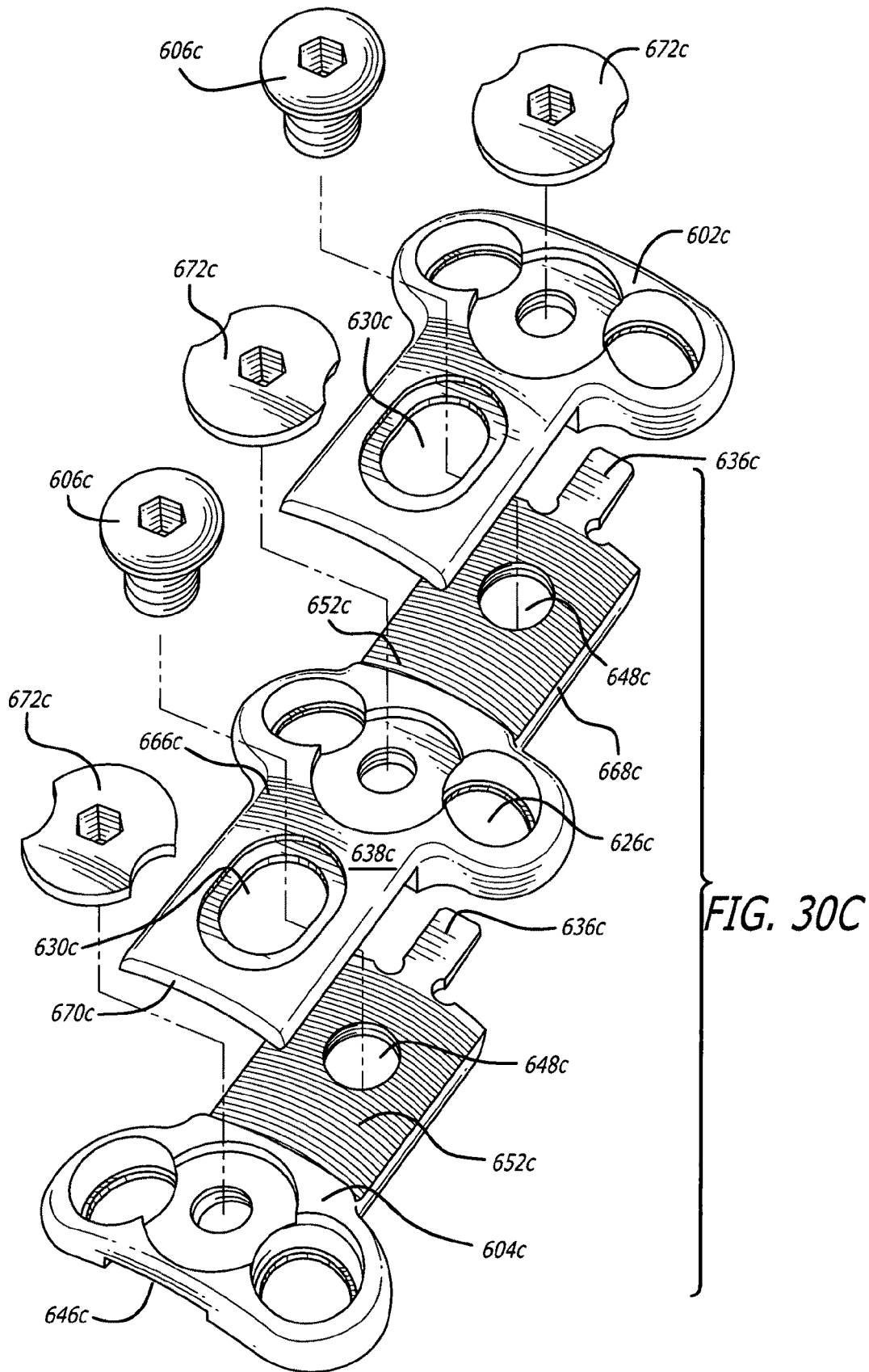
FIG. 29A

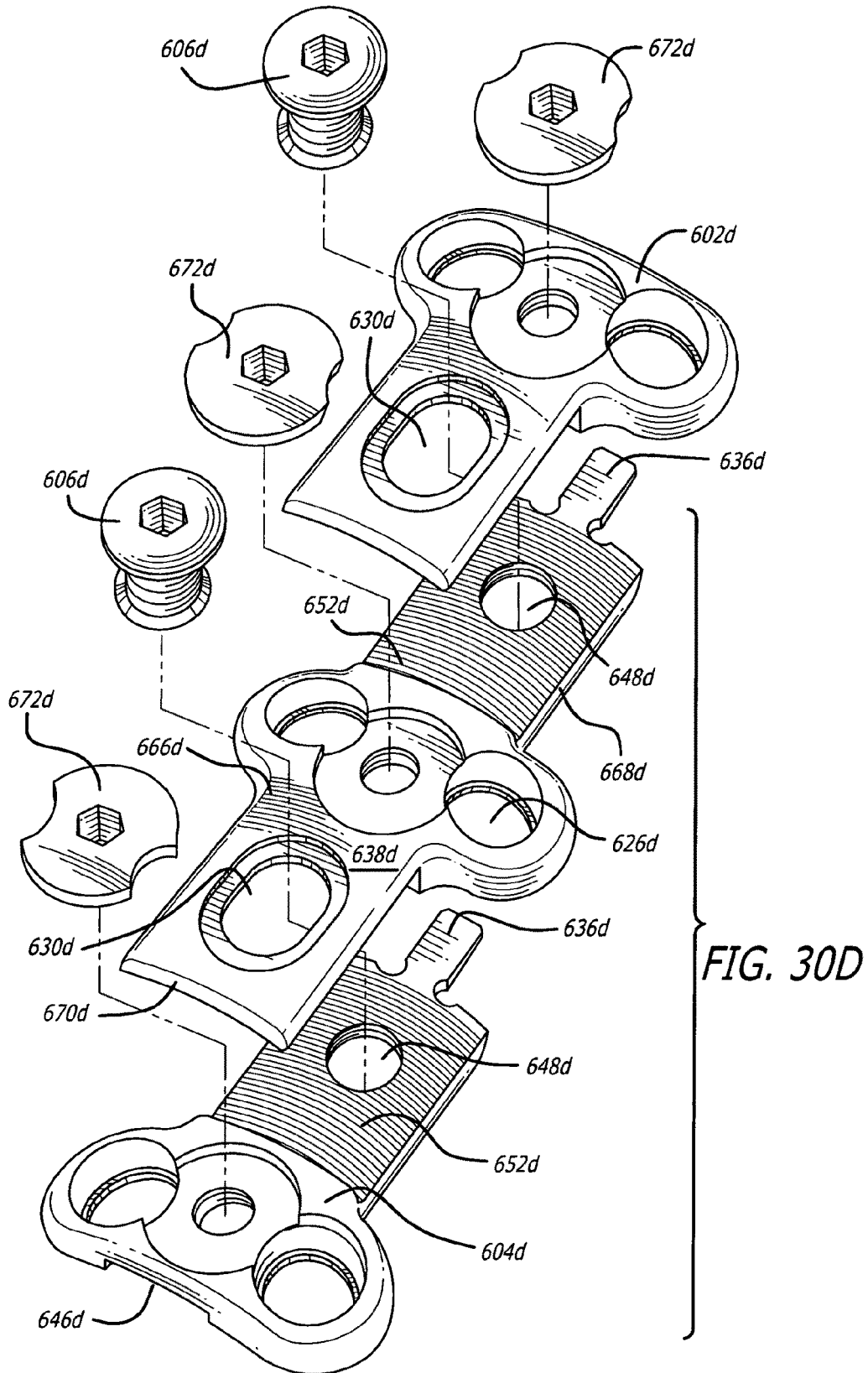


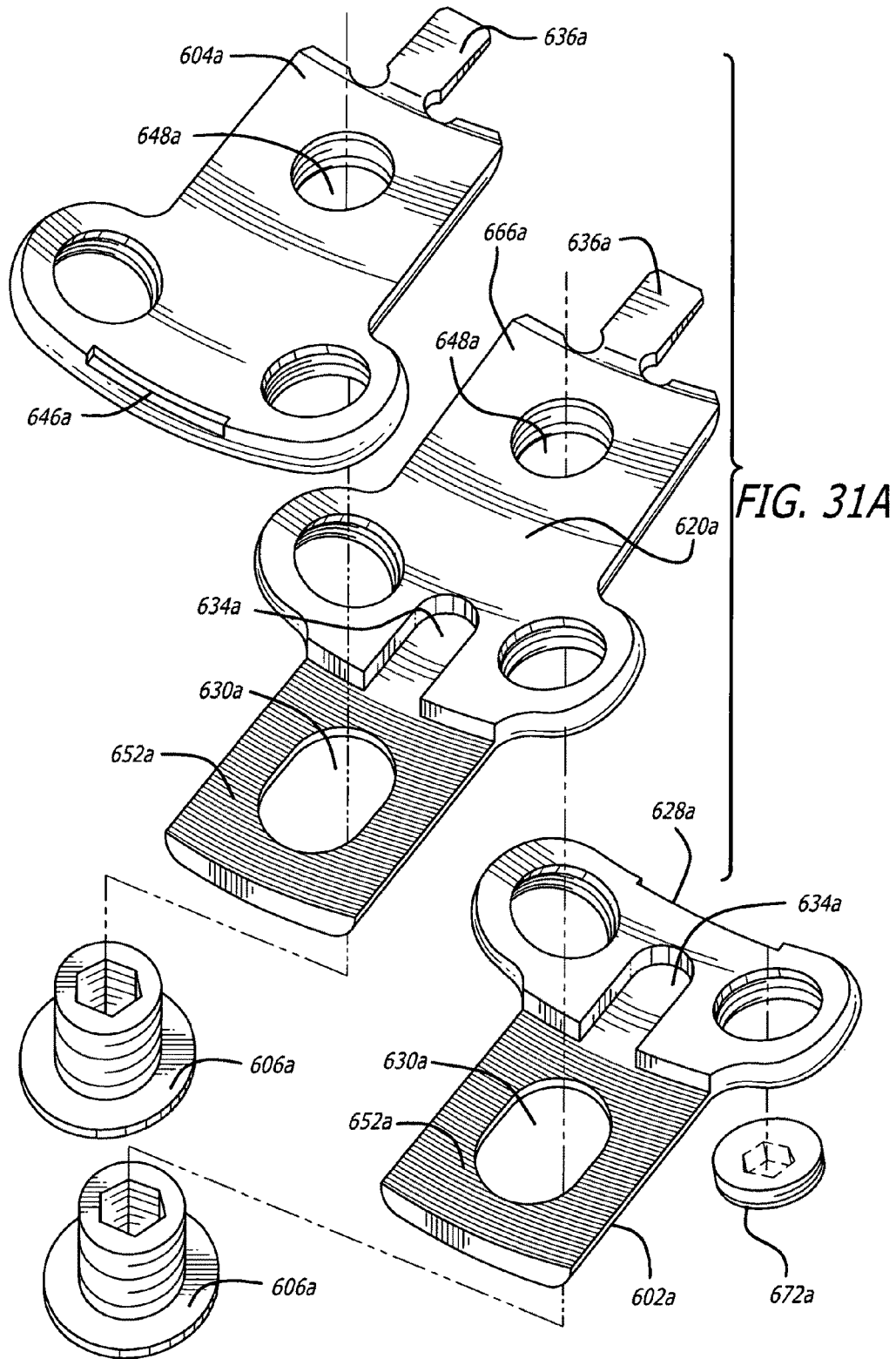


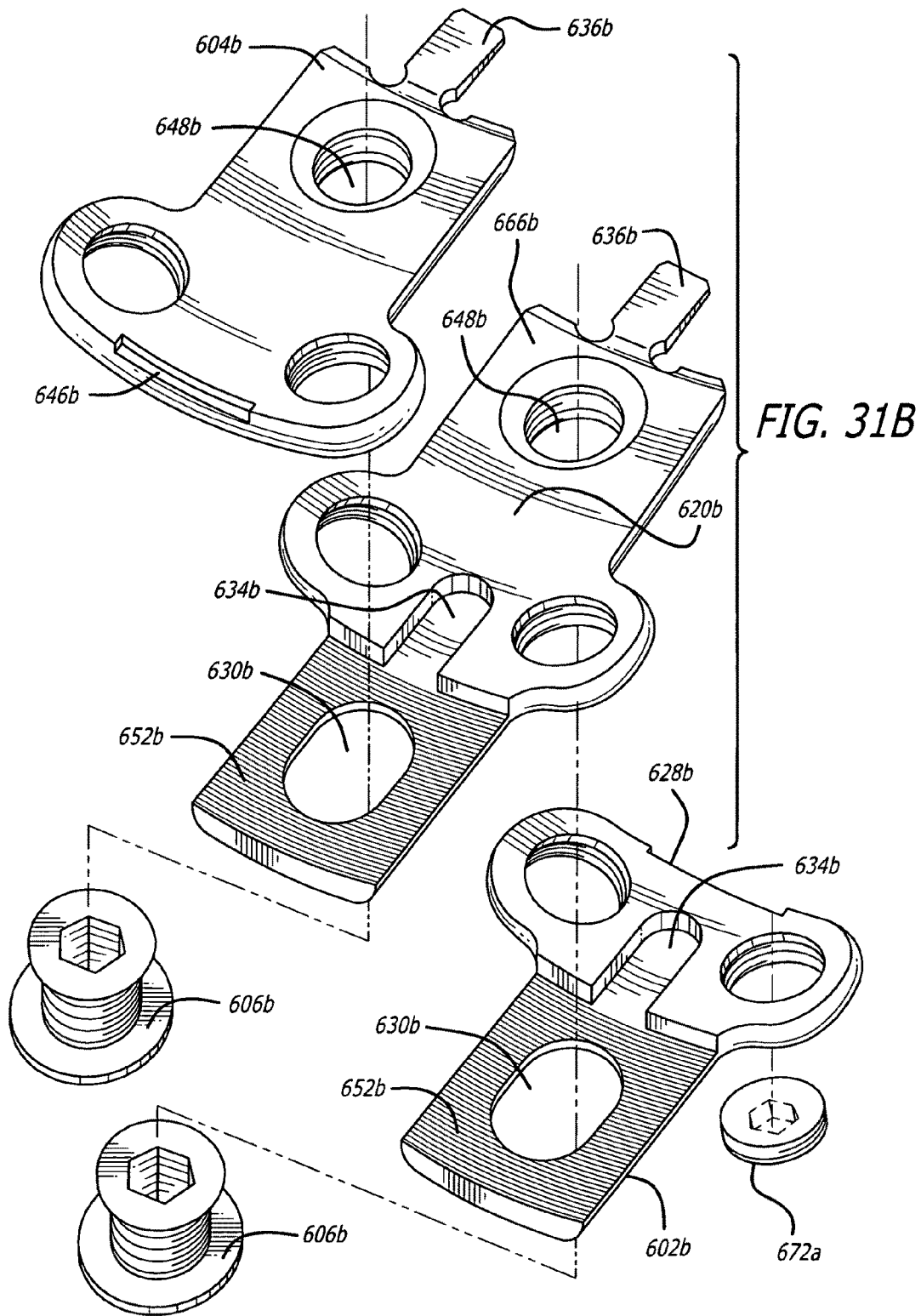


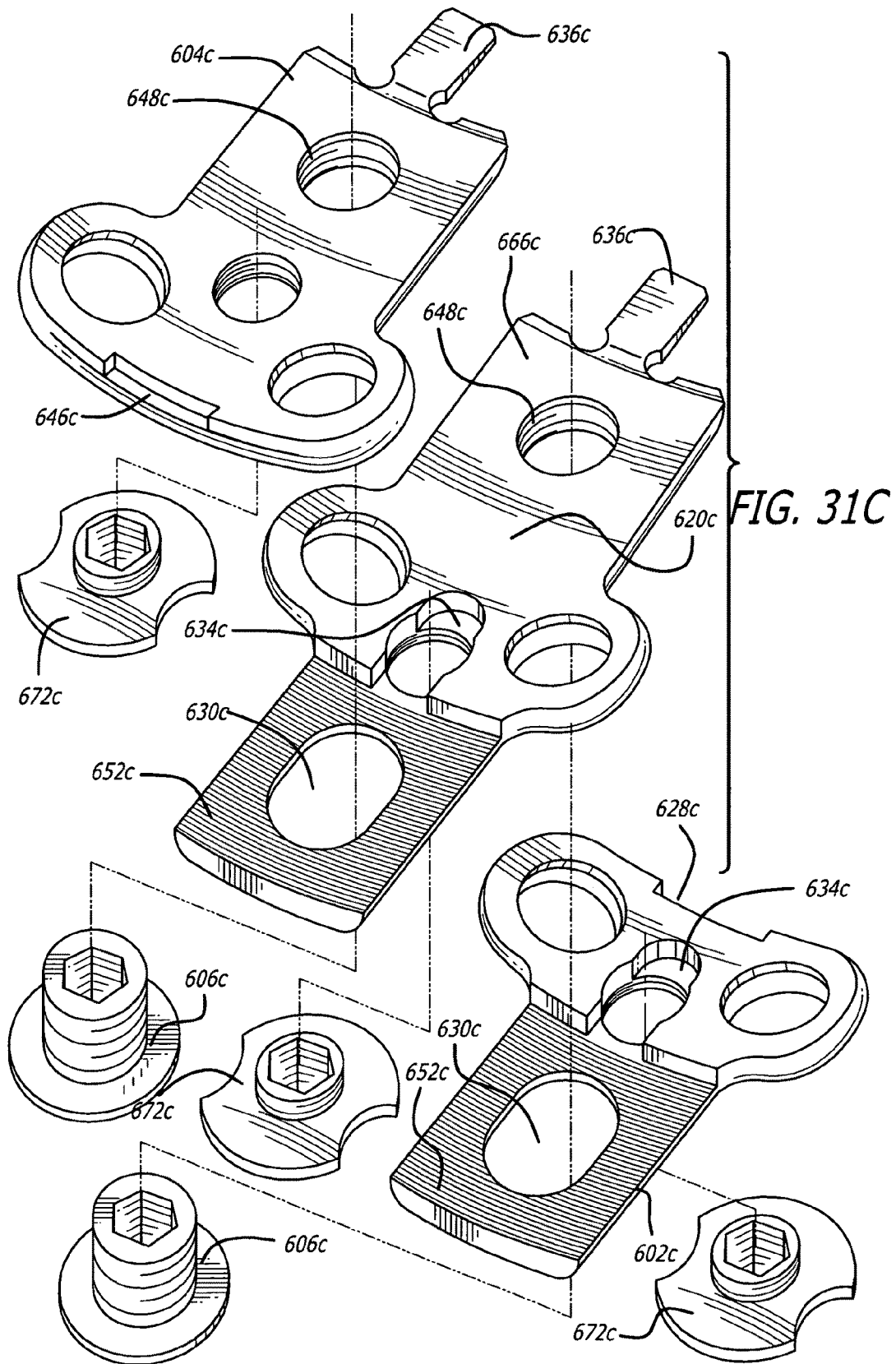


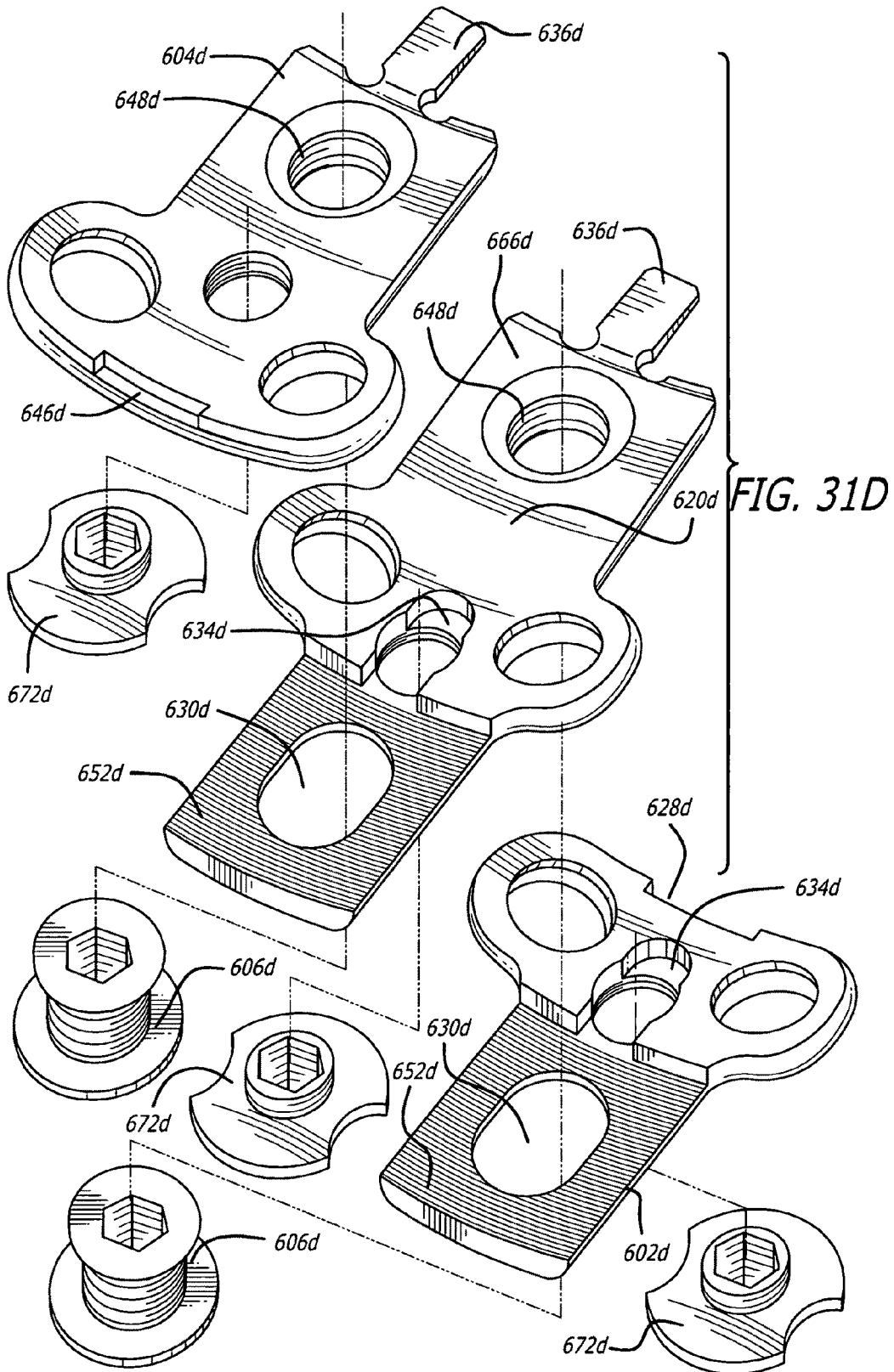


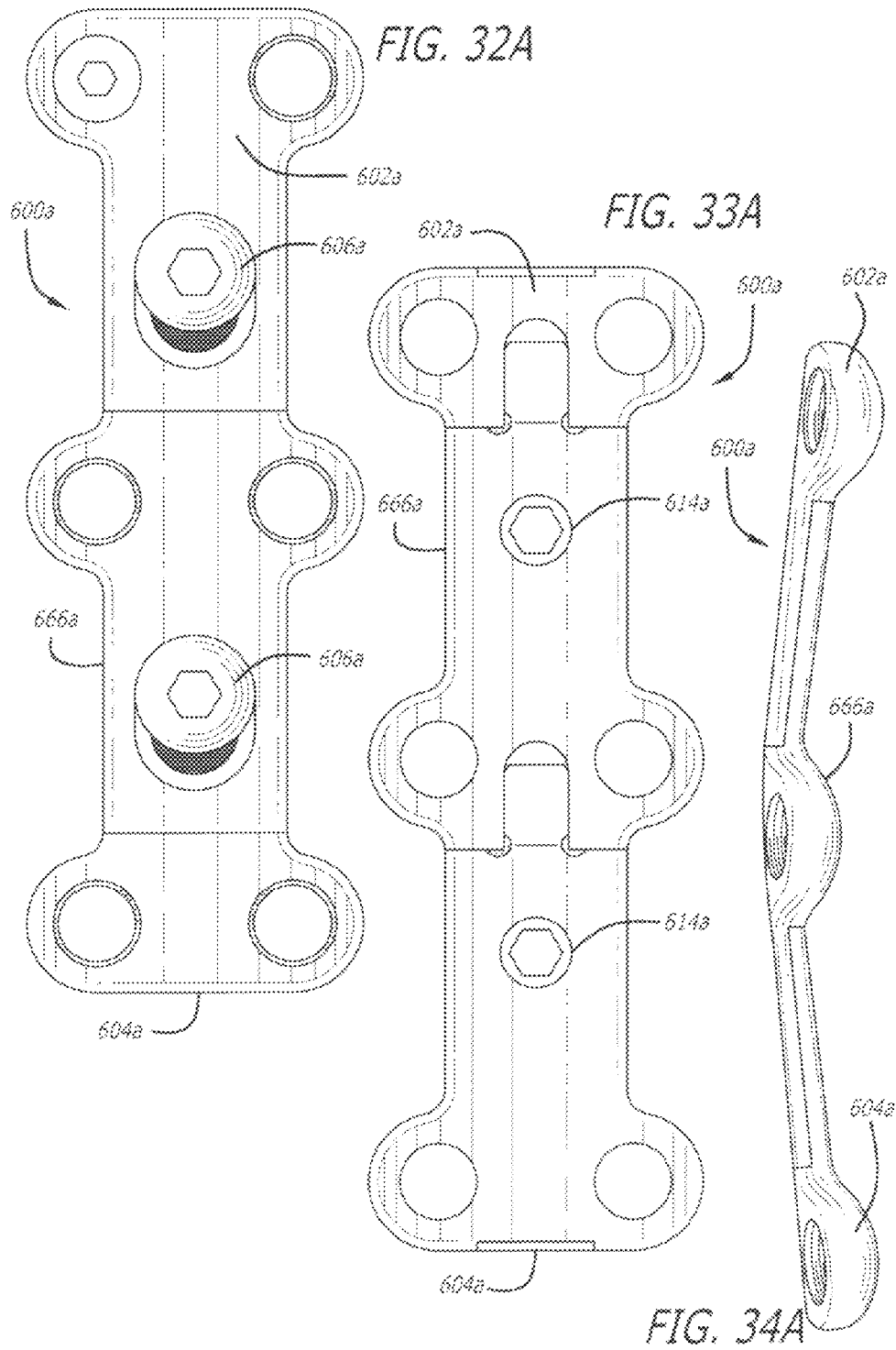












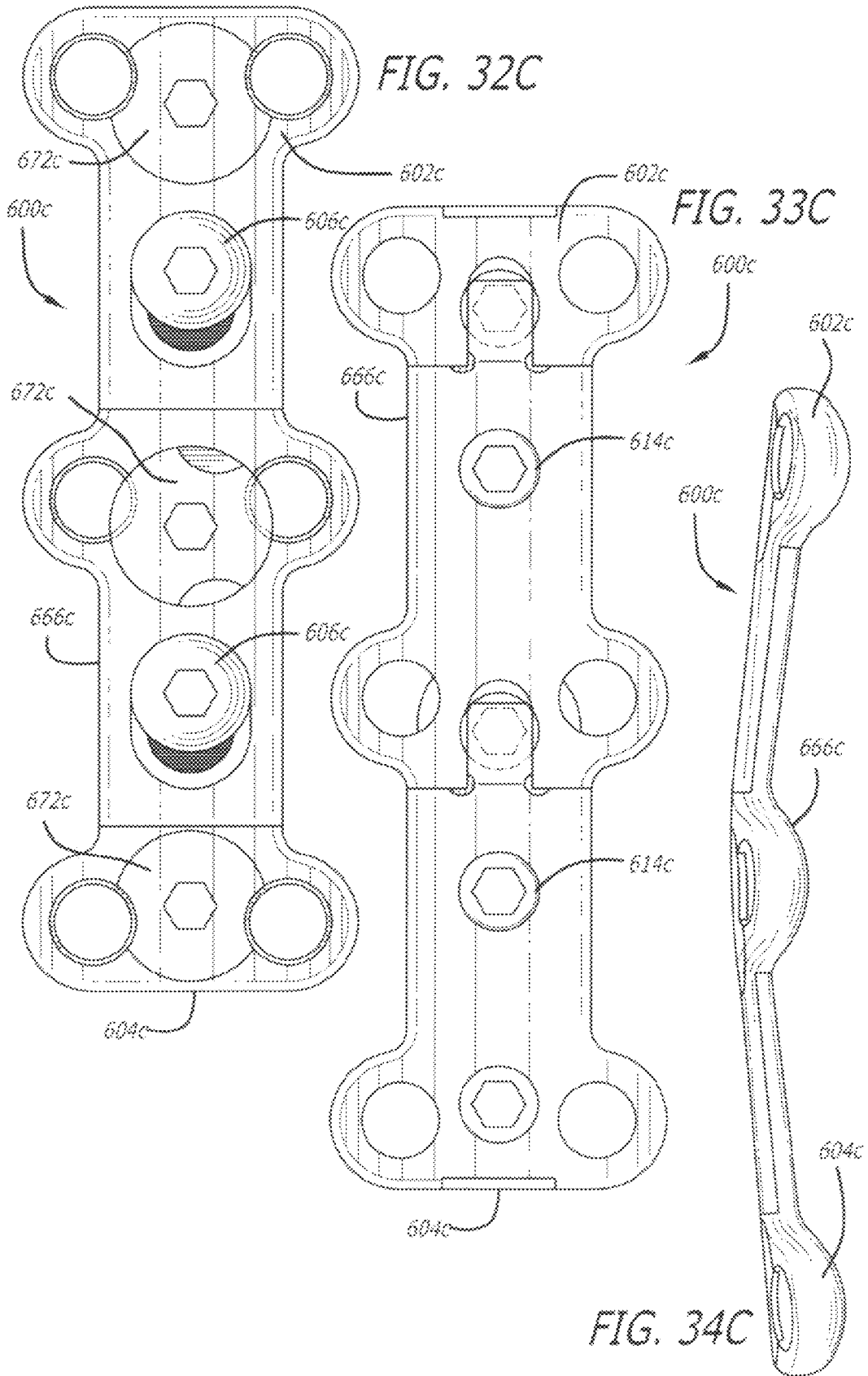
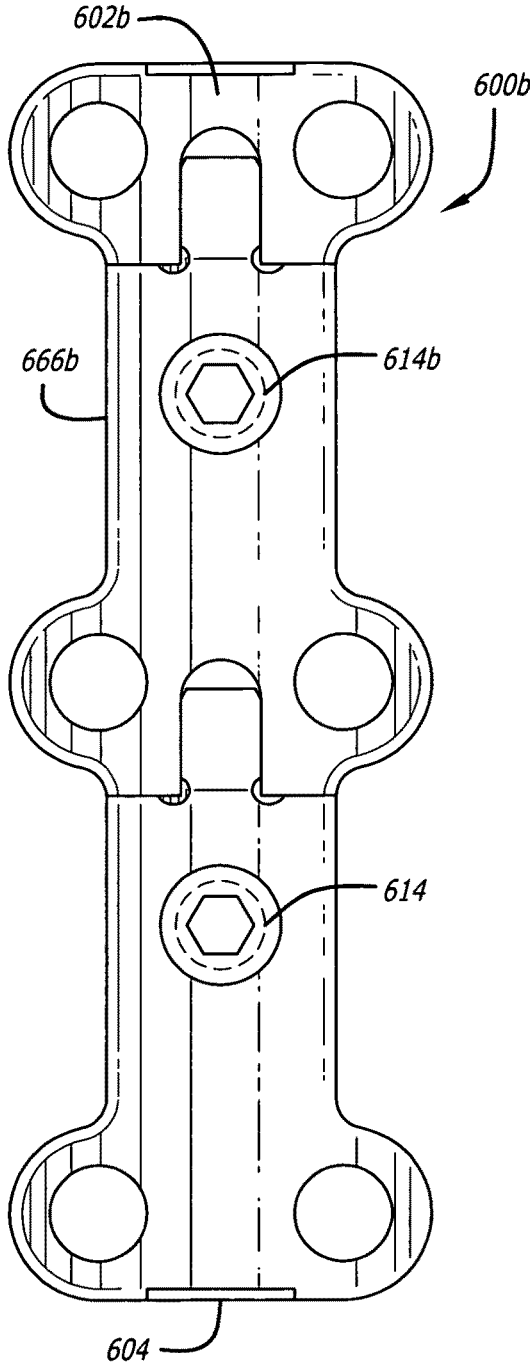
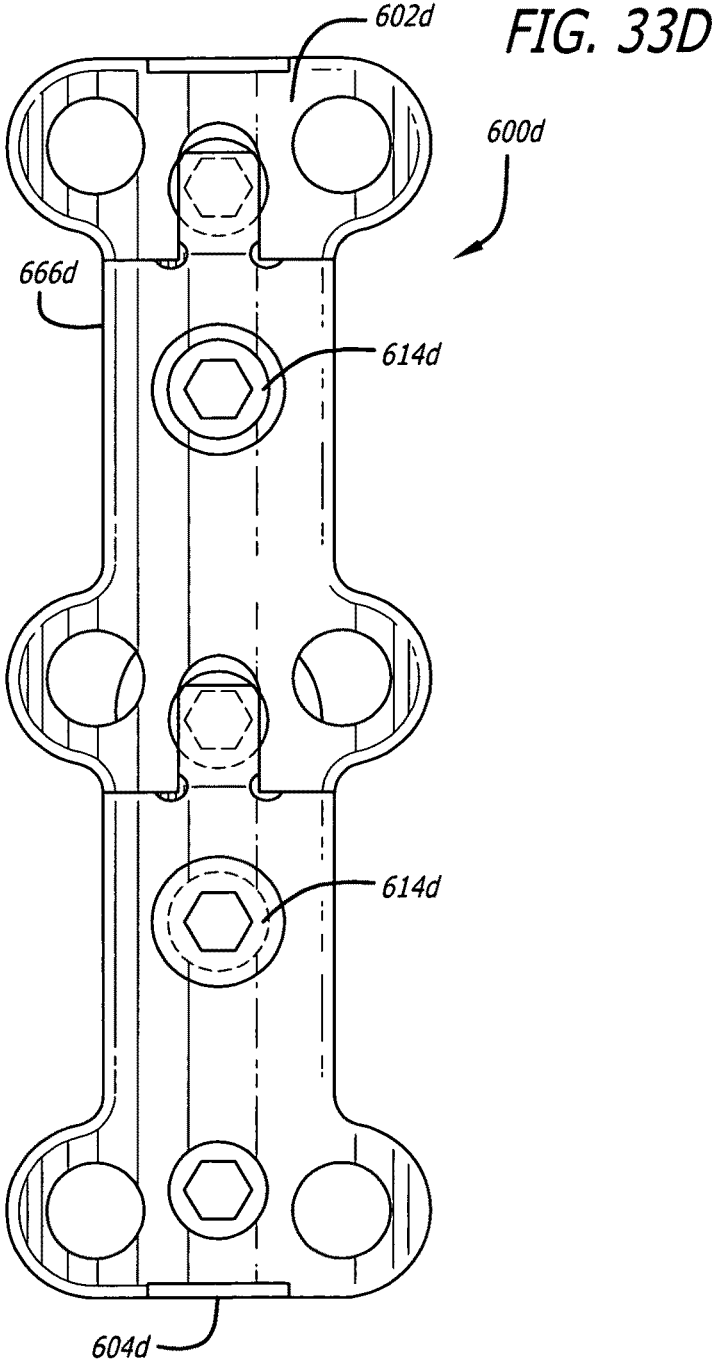


FIG. 33B





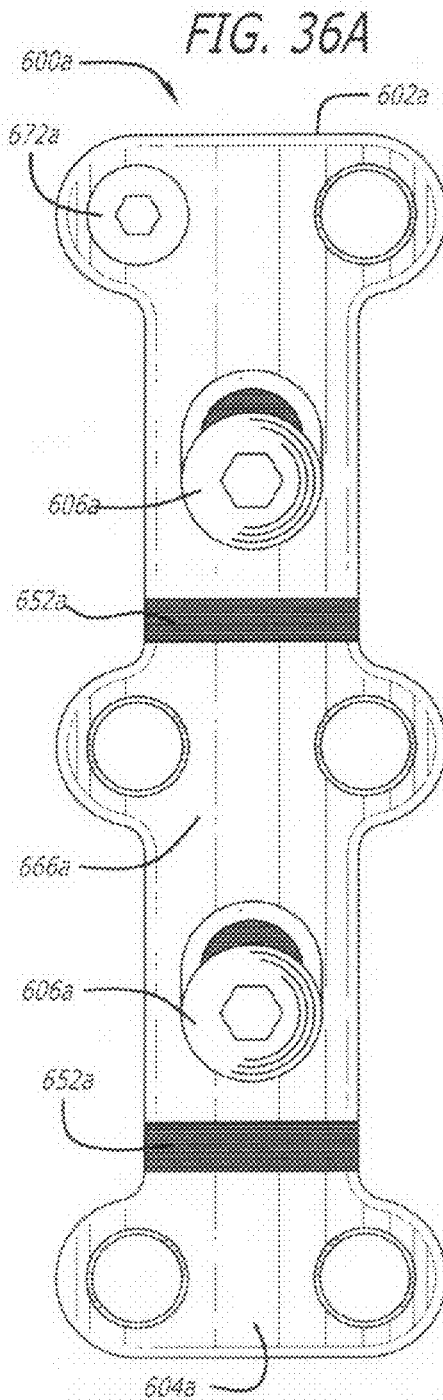
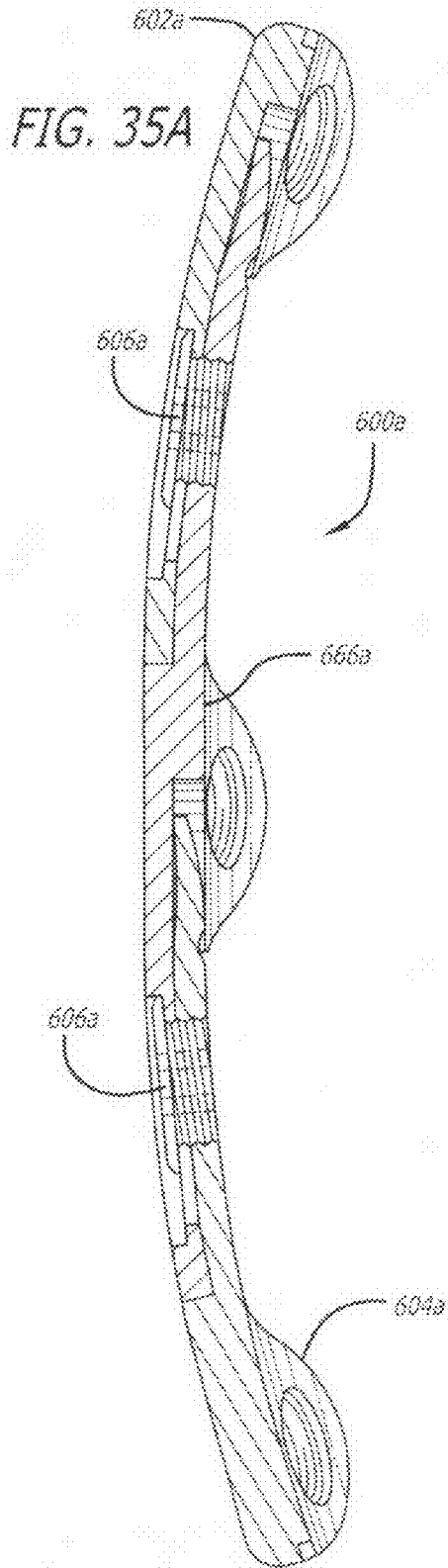
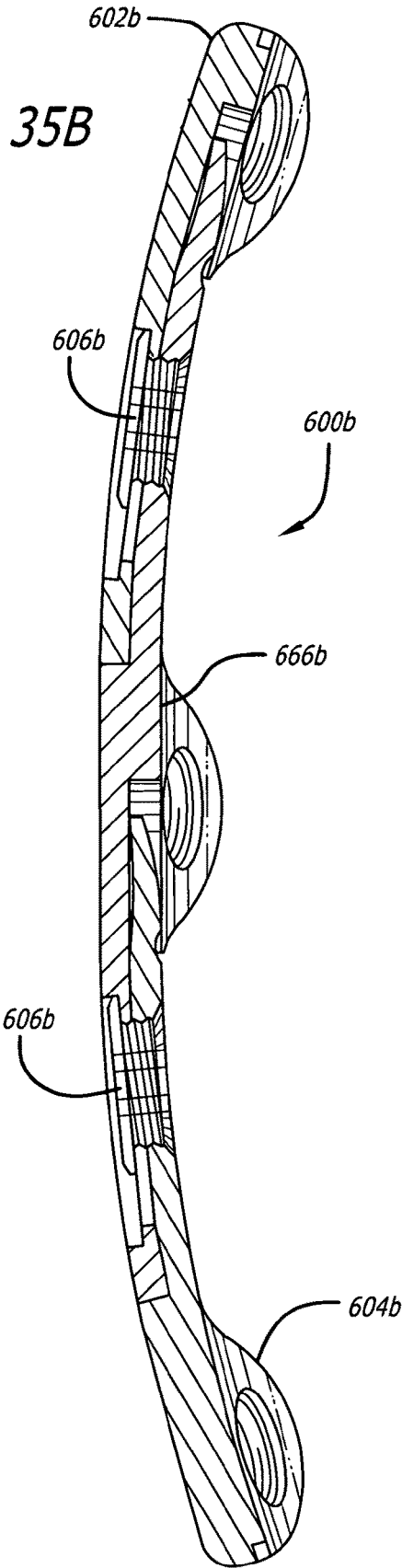


FIG. 35B



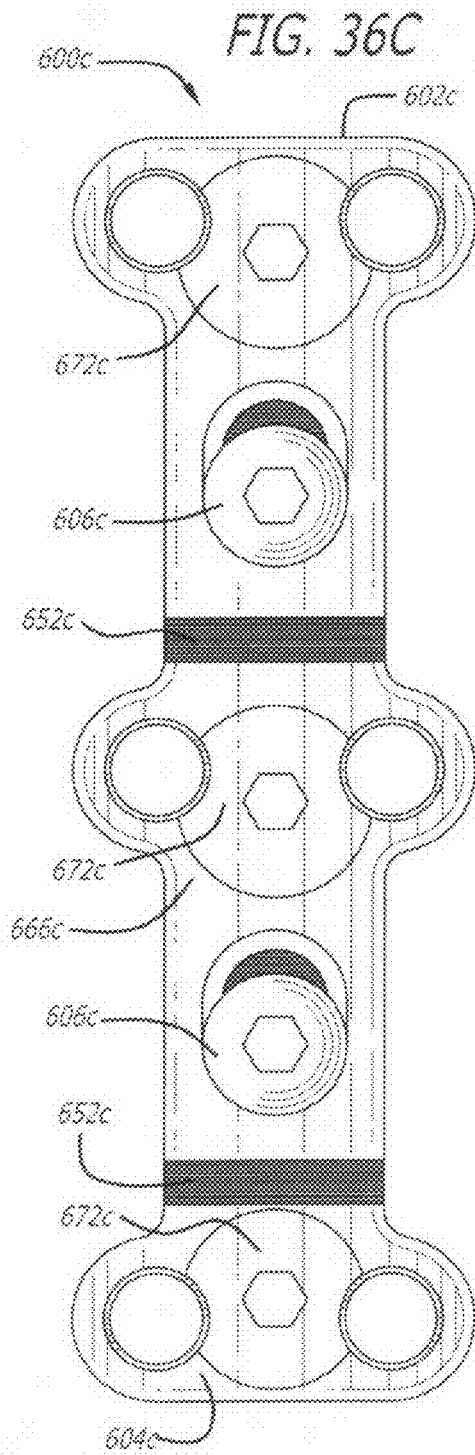
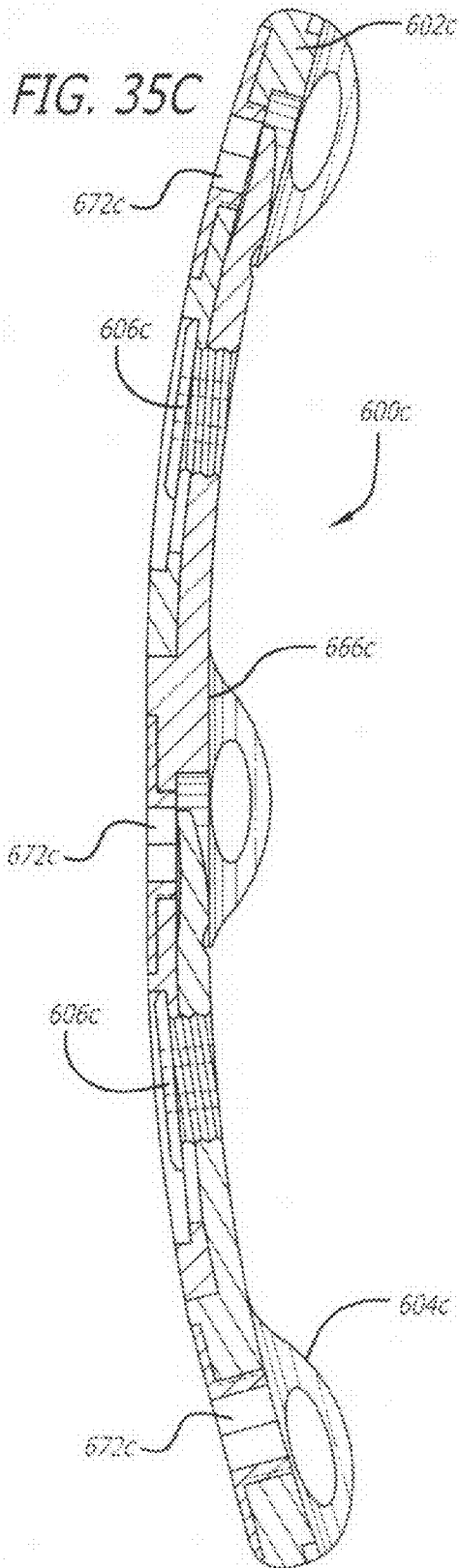
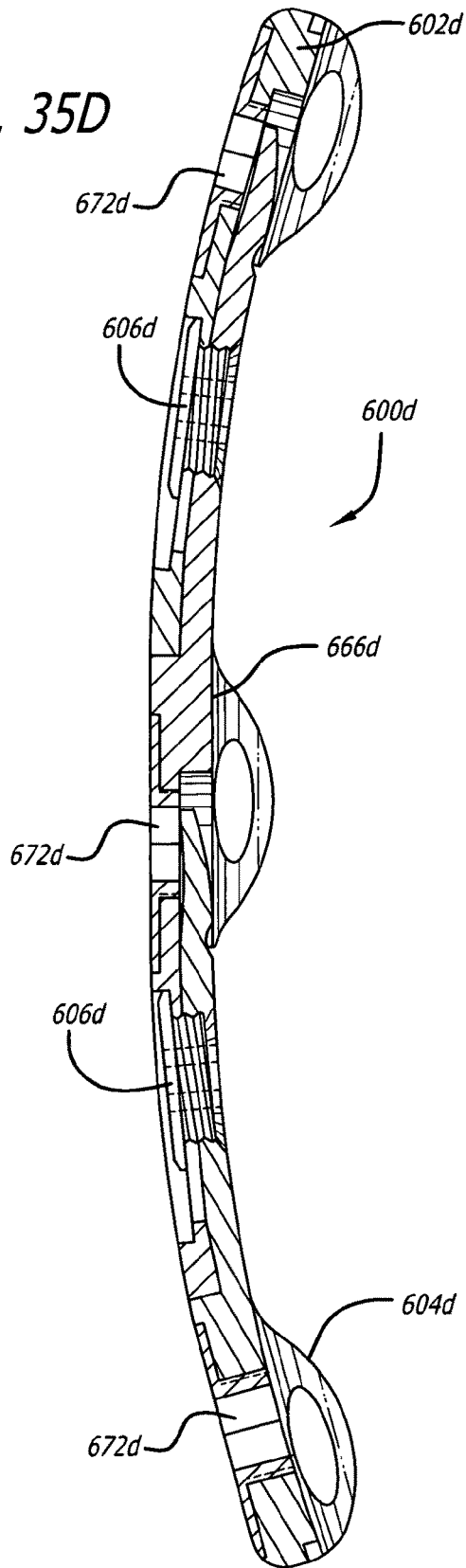
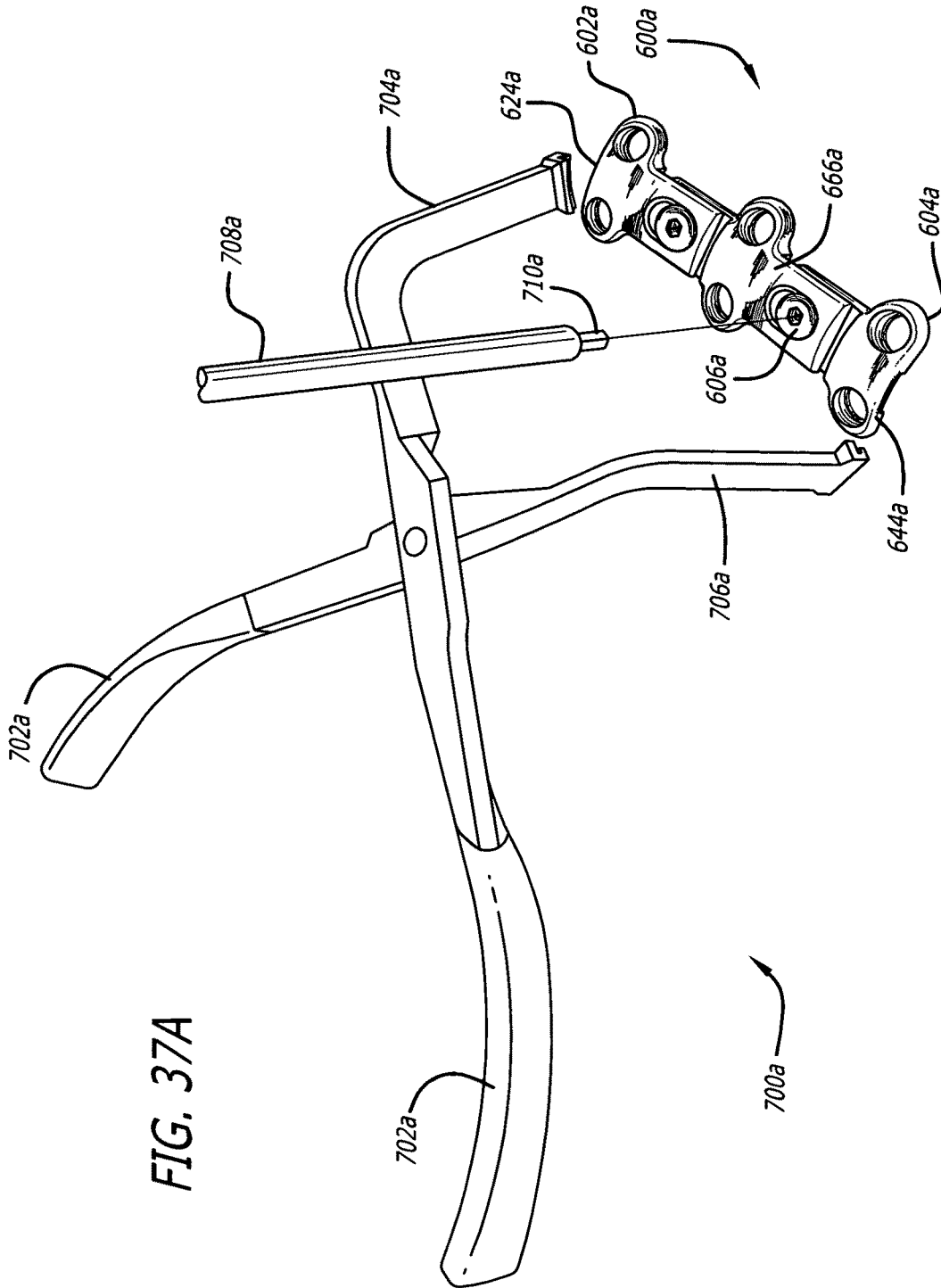
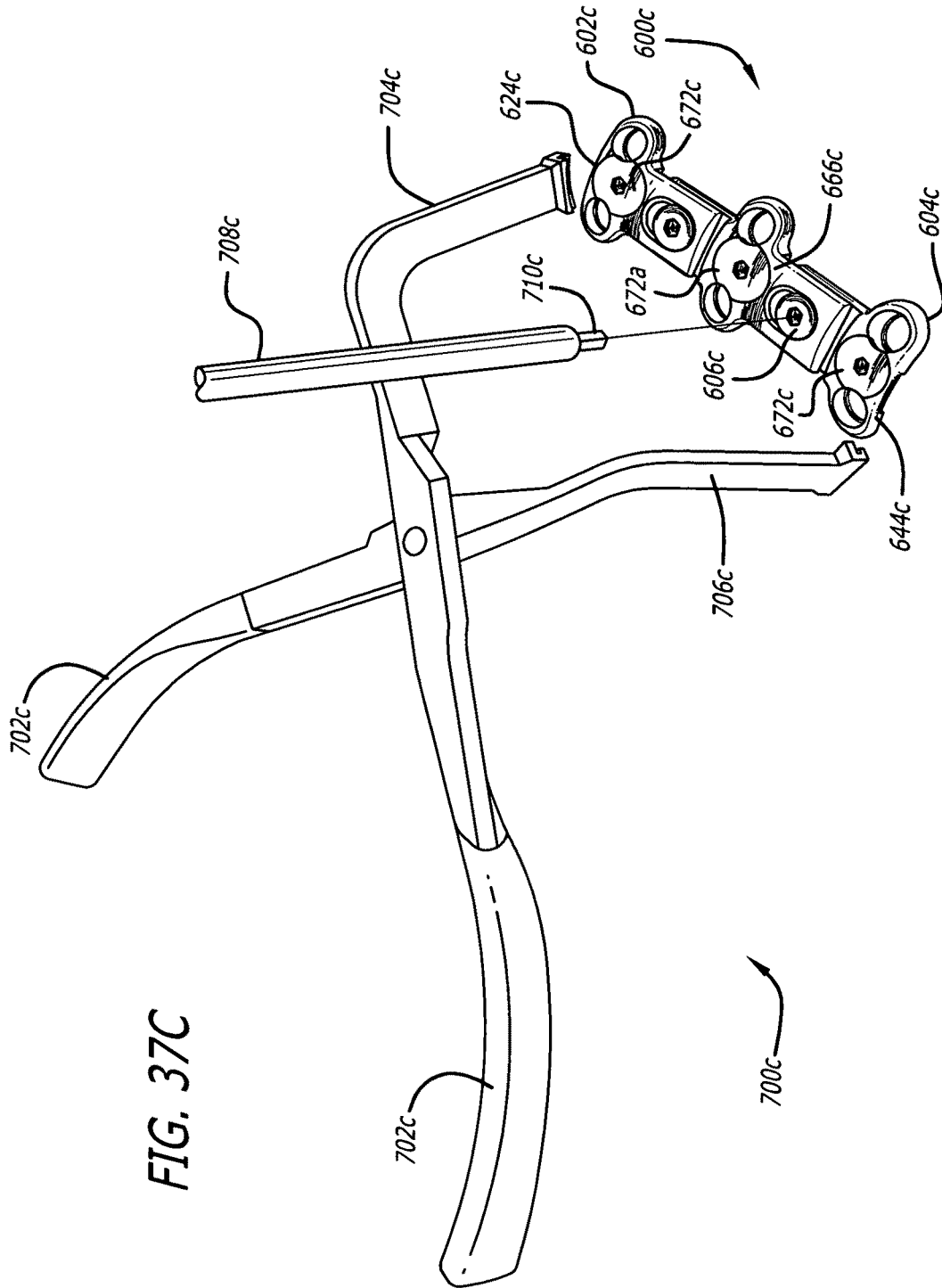


FIG. 35D







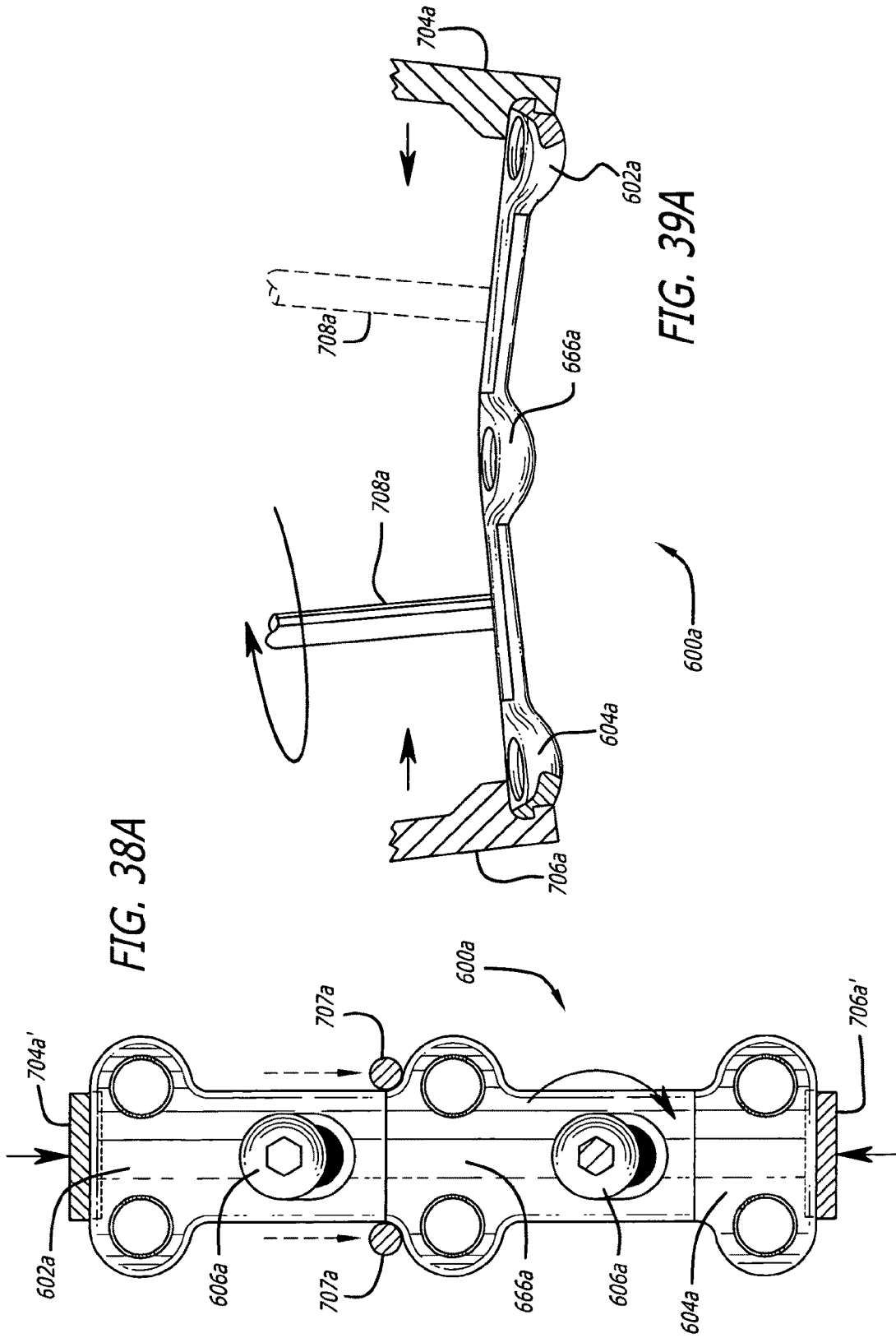
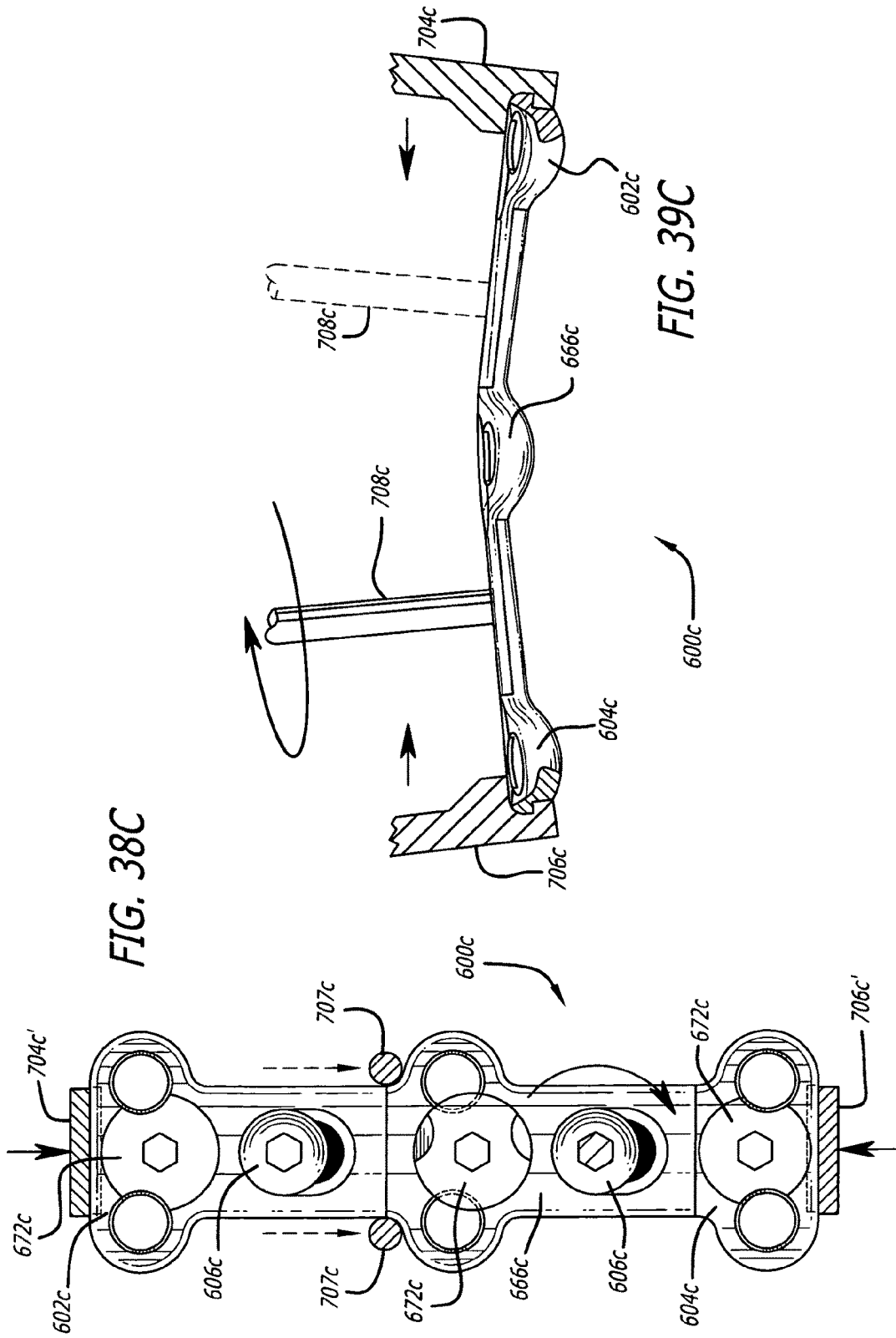
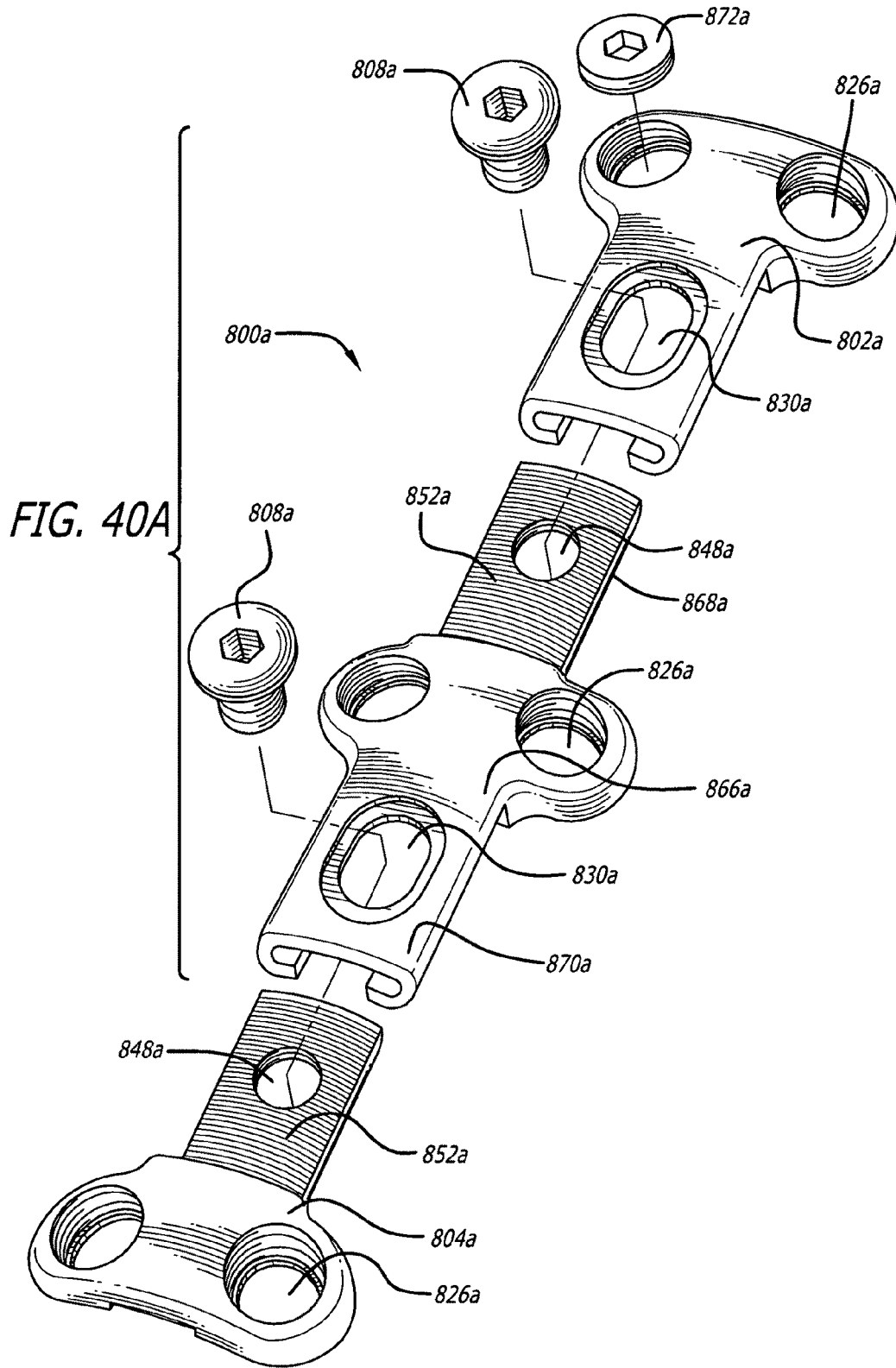


FIG. 38A

FIG. 39A





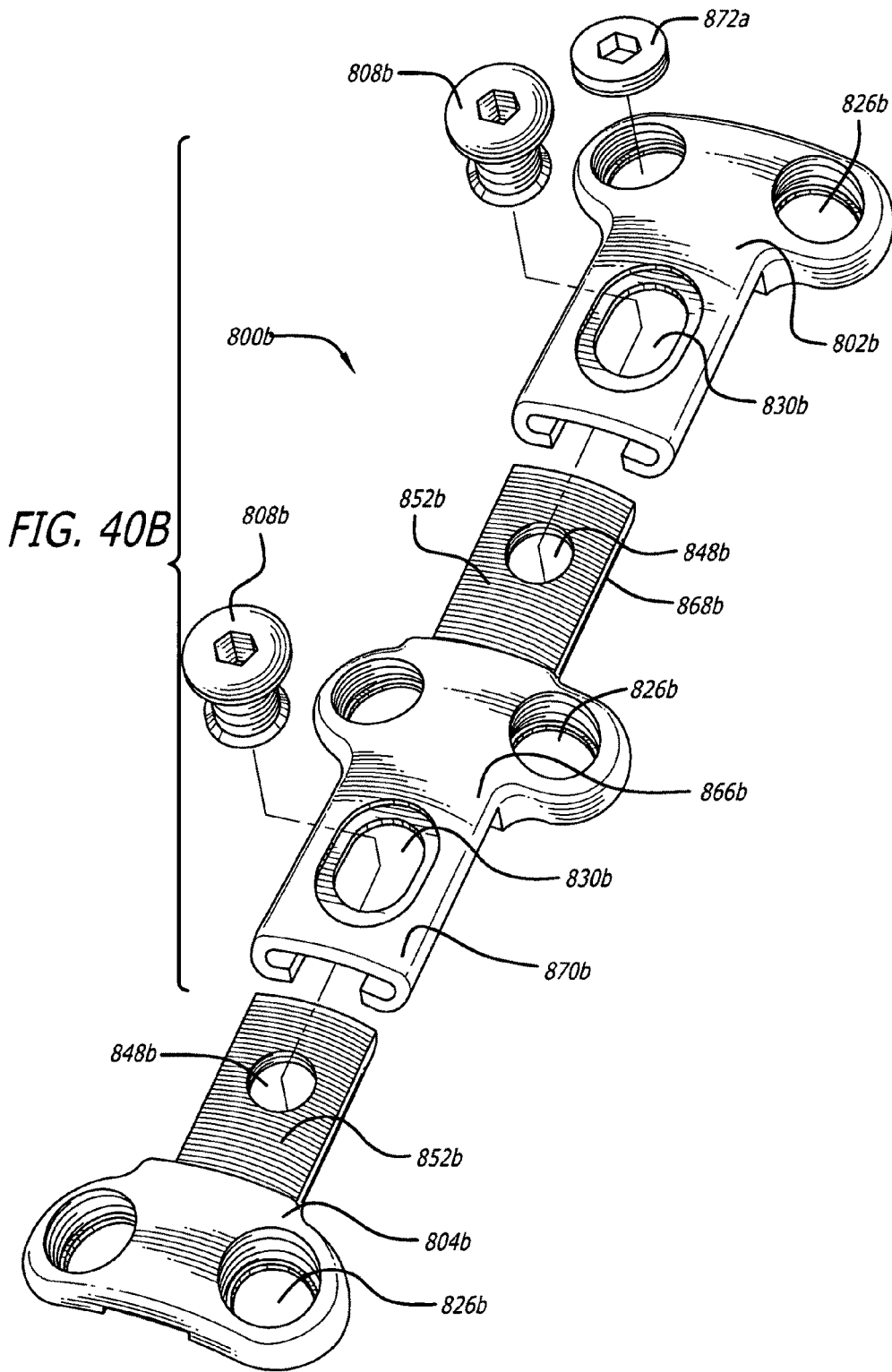
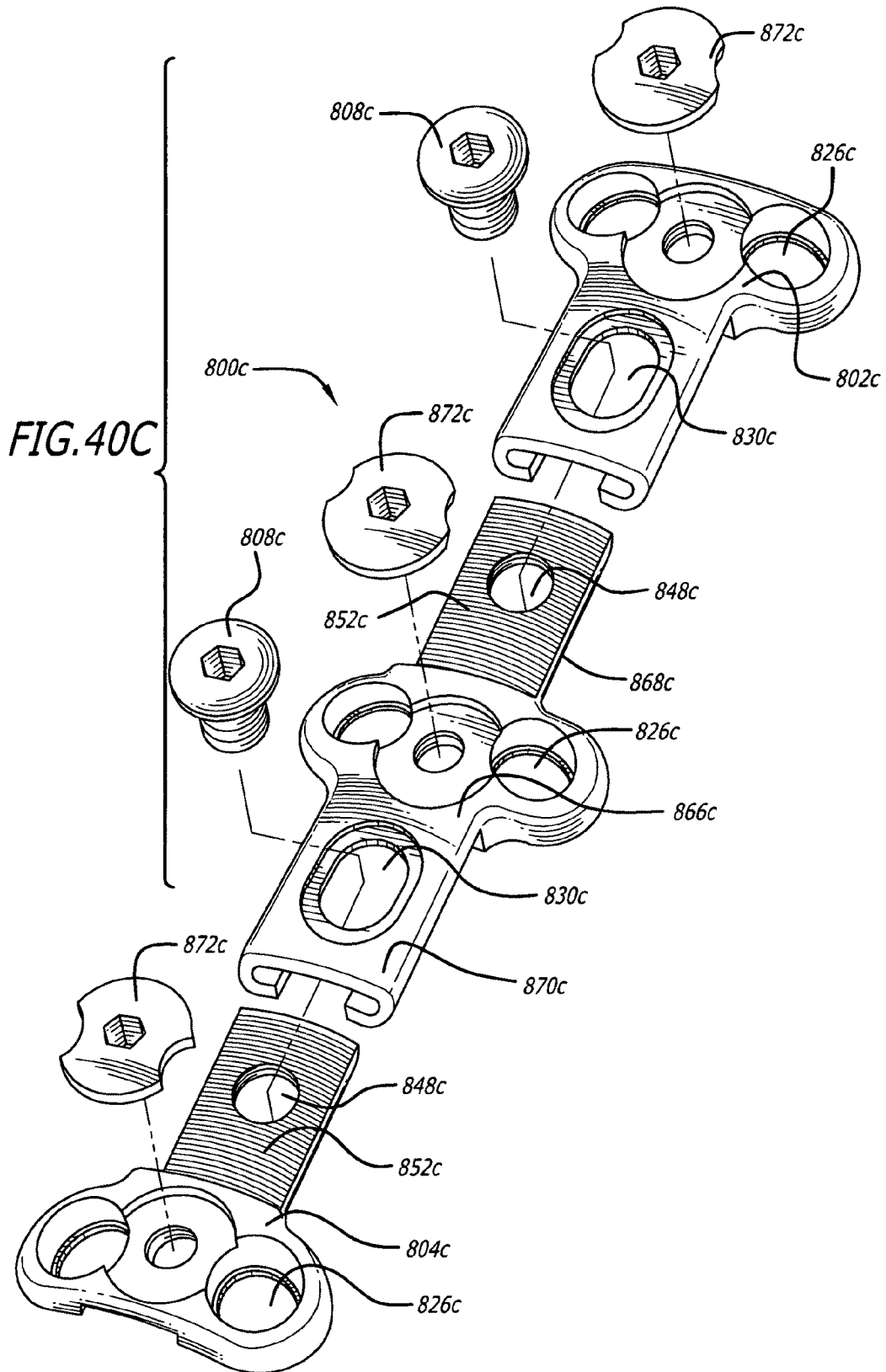
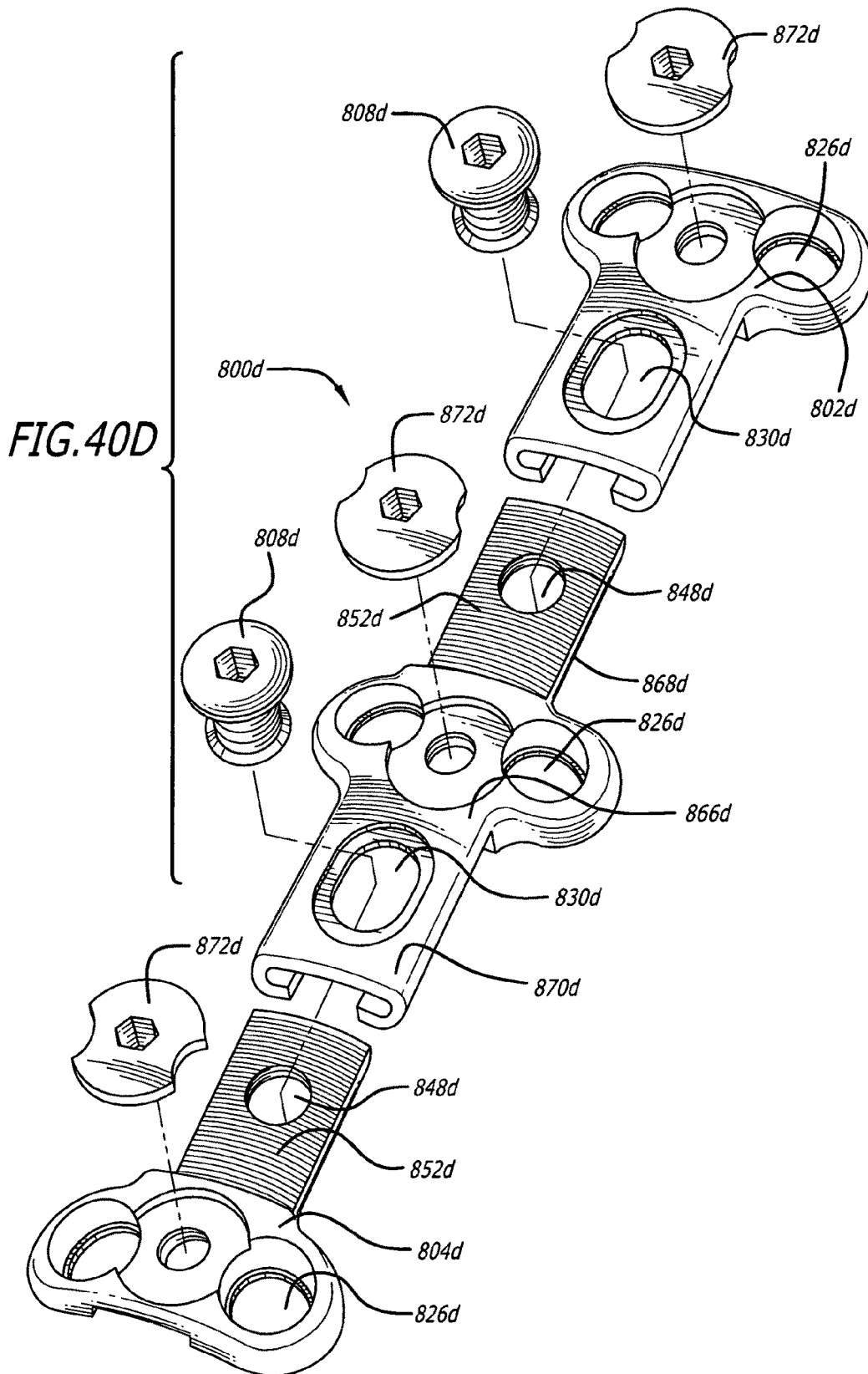
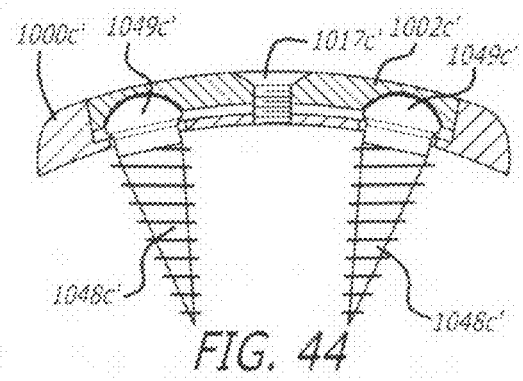
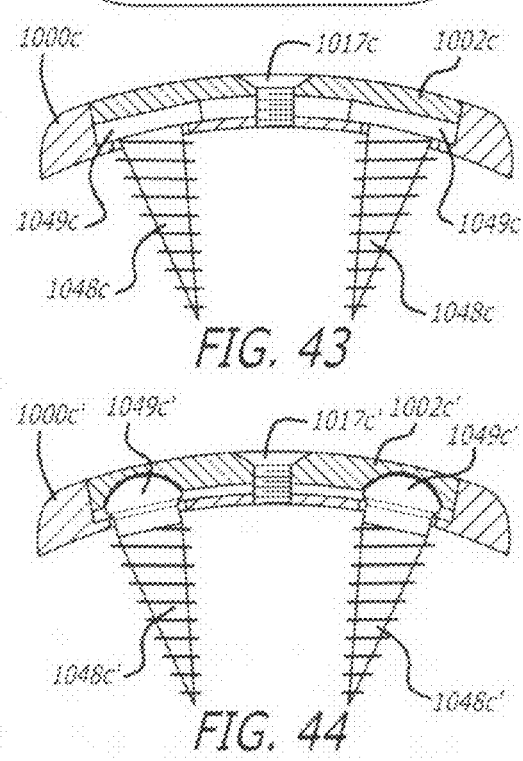
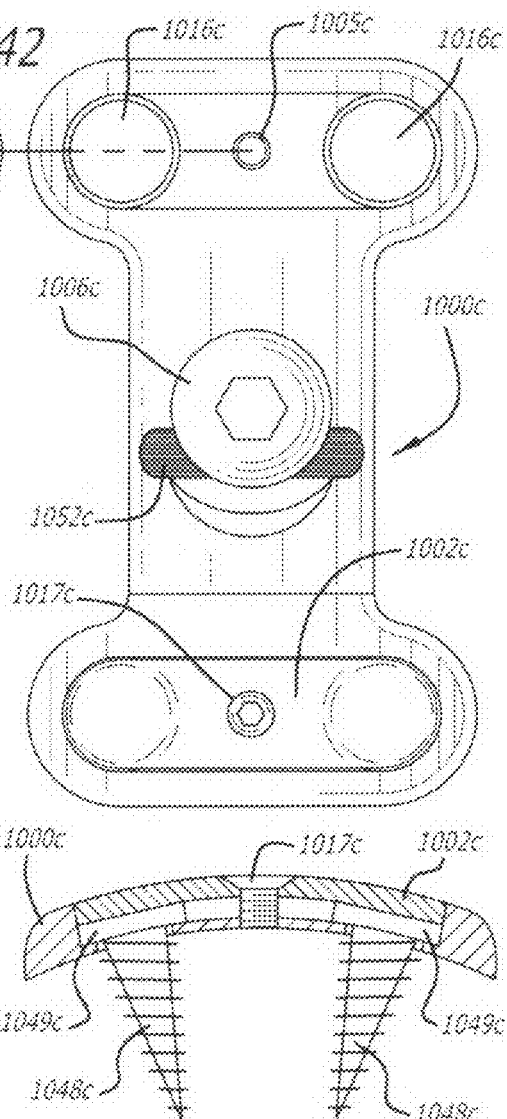
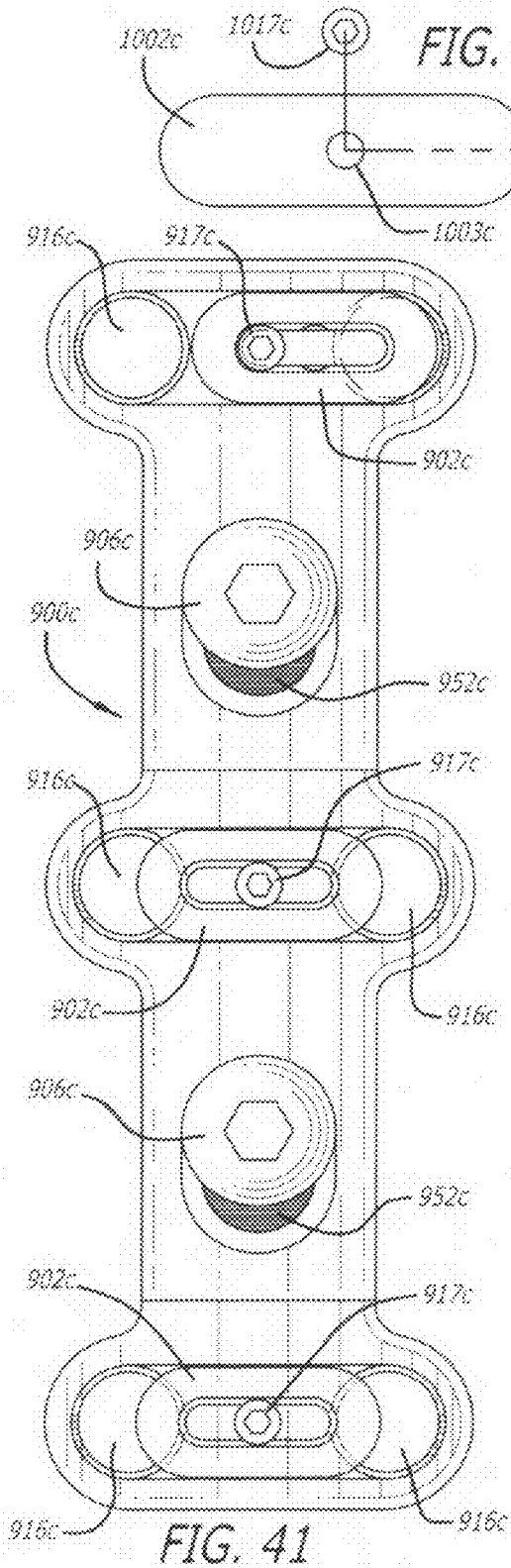


FIG. 40B







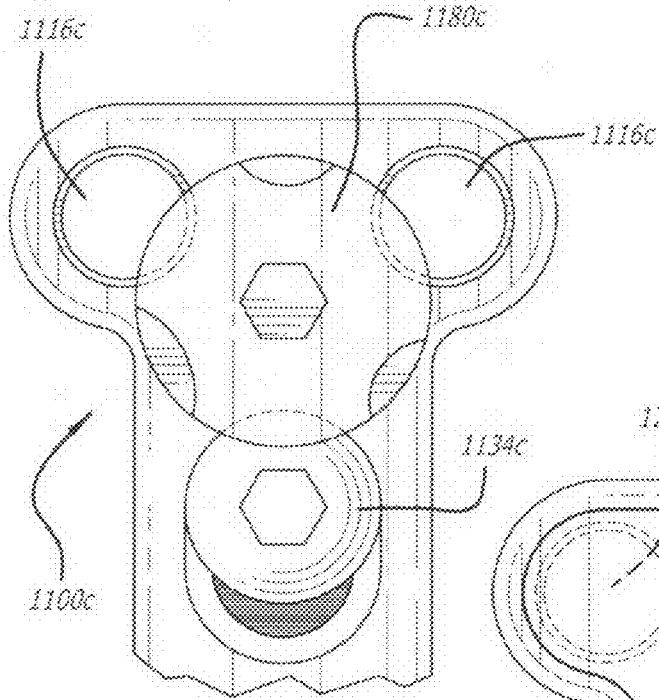


FIG. 45

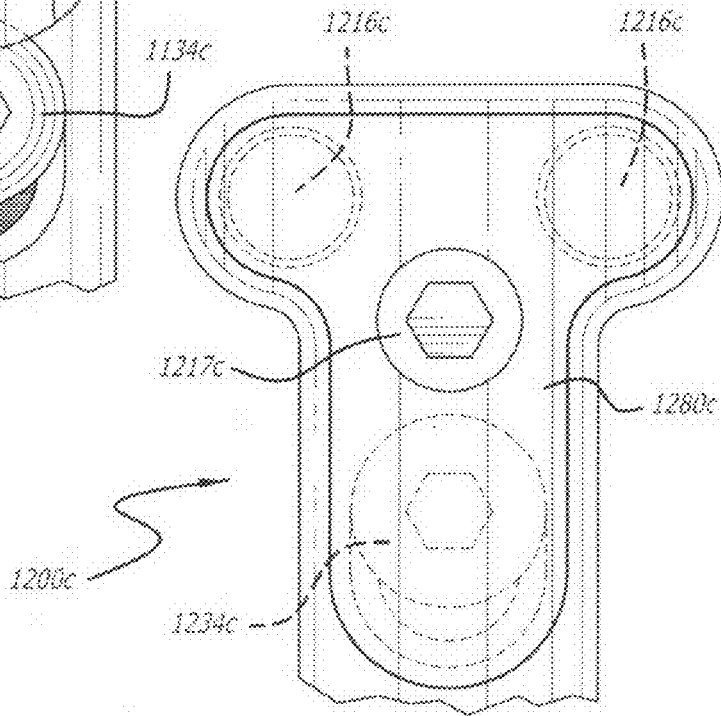


FIG. 46

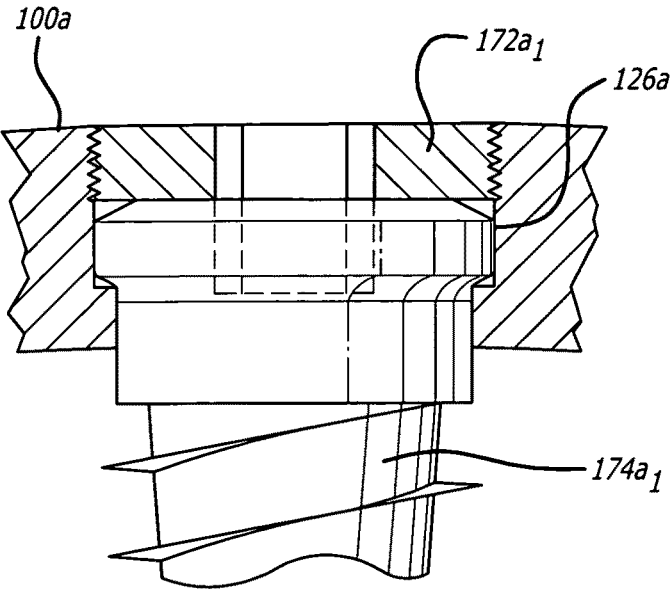


FIG. 47a

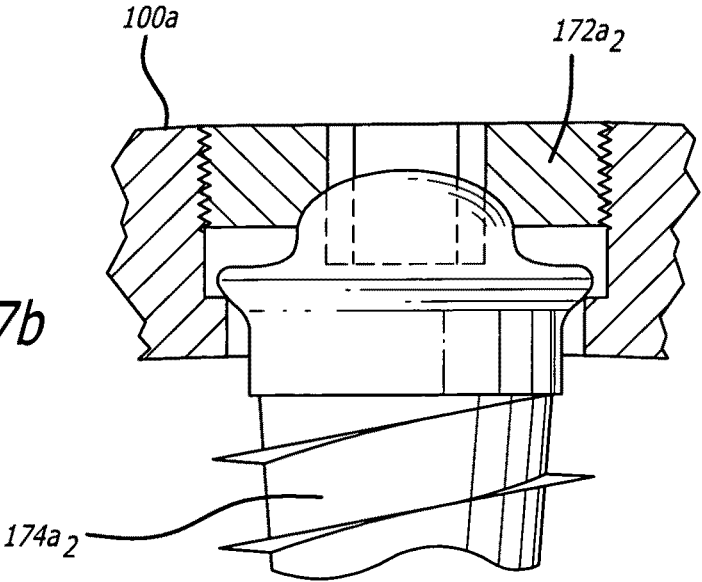
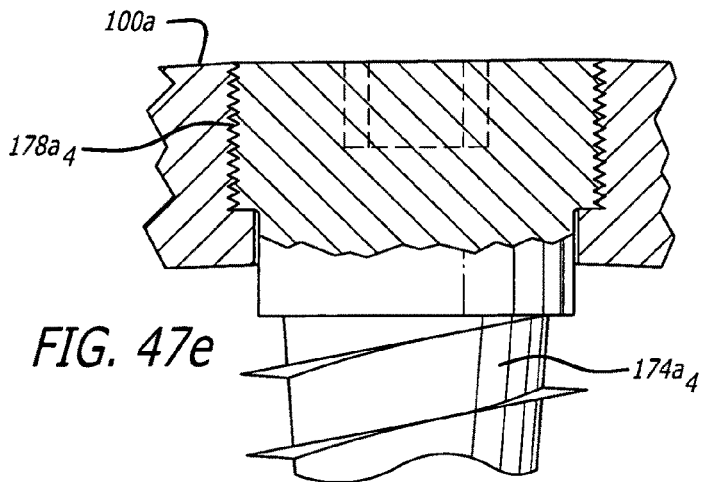
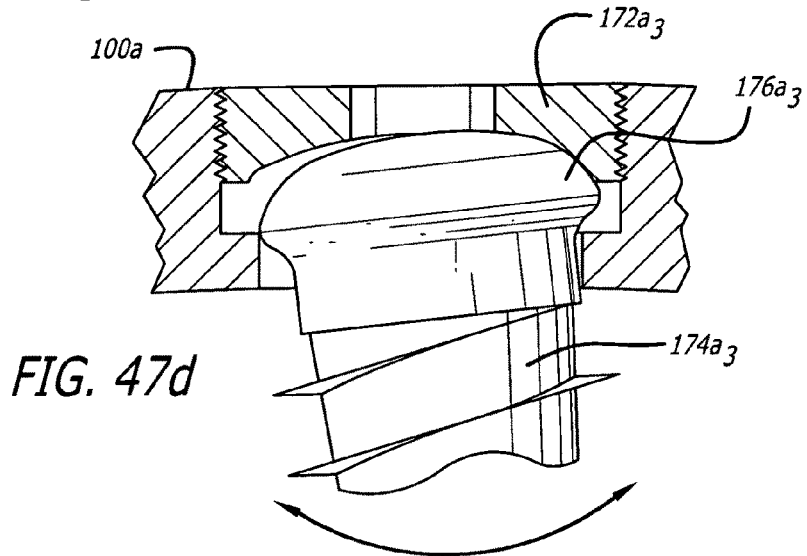
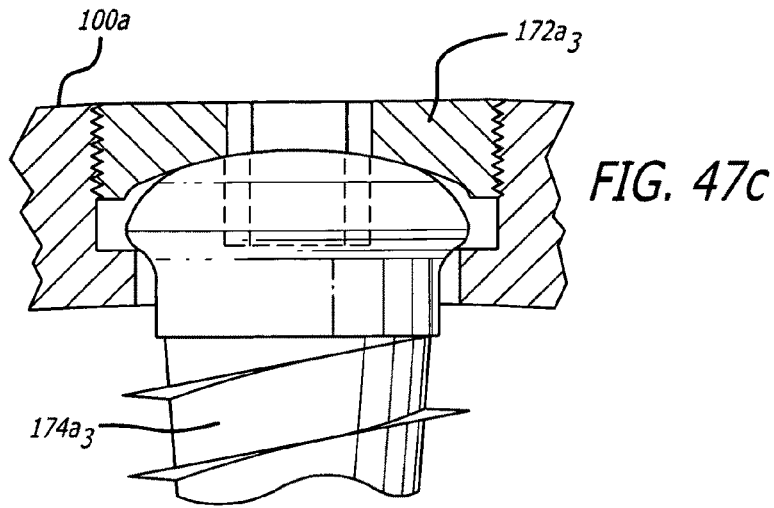


FIG. 47b



1

DYNAMIC PLATE SYSTEM HAVING MOVEABLE SEGMENTS

RELATED APPLICATIONS

This application is a divisional of U.S. application Ser. No. 10/971,254, filed Oct. 23, 2004 now U.S. Pat. No. 7,824,432; which is a divisional of U.S. application Ser. No. 10/160,059, filed Jun. 4, 2002 now U.S. Pat. No. 7,118,573; which claims the benefit of U.S. Provisional Application No. 60/379,589, filed May 9, 2002; U.S. Provisional Application No. 60/377,916, filed May 3, 2002; U.S. Provisional Application No. 60/356,318, filed Feb. 12, 2002; U.S. Provisional Application No. 60/355,194, filed Feb. 8, 2002; U.S. Provisional Application No. 60/296,681, filed Jun. 6, 2001; U.S. Provisional Application No. 60/296,680, filed Jun. 6, 2001; U.S. Provisional Application No. 60/296,060, filed Jun. 4, 2001; and U.S. Provisional Application No. 60/296,059, filed Jun. 4, 2001; all of which are incorporated by reference herein.

BACKGROUND

The use of plates, screws, and locks to prevent separation and backing out of screws from the plate, for use on the anterior aspect of the cervical spine to provide alignment and stability as an adjunct to fusion of adjacent vertebral bodies is known in the art. Also known in the art is that compressive load, within a physiological range across a fusion site, is beneficial to the fusion process. Conversely, a failure to maintain a compressive load across a fusion site, or to have a gap in the fusion construct continuity may lead to a failure to achieve fusion called pseudoarthrosis. A primary purpose of the aforementioned cervical hardware is to provide stability during the healing and fusion process. The fusion process occurs in part through a process called "creeping substitution" by which new living bone replaces the dead bone such as that of a bone graft. The fusion process involves a phase of bone resorption as preliminary to the formation of the new bone. It is possible then for the bone resorption to result in gaps in the continuity of the fusion mass, such that if the hardware is sufficiently rigid, such as occurs as a result of increasing the strength of the components and constraining the relationship of the screws to the plate, those gaps may persist and increase in size as the hardware holds the bone portions separated rather than allowing those bone portions to move together to close those gaps. This holding apart of the bone portions (called distraction) can therefore lead to a failure of fusion (pseudoarthrosis). These rigid systems by a combination of not inducing compression at the fusion site and of holding the bone portions to be fused apart may cause a "distraction pseudoarthrosis."

Alternative cervical plating systems have attempted to prevent distraction pseudoarthrosis by allowing the vertebral bodies to collapse towards each other as needed during the fusion process. Generally this has been done by allowing the bone screws to be free to move relative to the plate, that is, movement such as sliding, swiveling, rotating, and angulating, independent of whether the screws are prevented from separating or backing out of the plates such as by the use of locks. Undesired multidirectional instability can occur in such plating systems that is counter to the very purpose of such hardware which is to increase or provide for stability.

Another approach to solving this problem has been to attach by screws a block to each of the vertebral bodies to be fused and then to allow those blocks to slide up and down on a pair of rods. Each of these constructs have in common that they sacrifice stability, the ability to hold the bones to be fused

2

rigidly in place and prevent undesired motion; for the ability to allow, but not cause the vertebral bodies to collapse.

There exists therefore a need for an improved anterior cervical plating system that is: (1) sufficiently rigid to maintain the desired alignment of the vertebral bodies to be fused; (2) capable of inducing compressive load across the fusion site; and/or (3) capable of allowing for the motion of the vertebral bodies towards each other to prevent or to close any gaps in the continuity of the fusion construct, while still being capable of preventing motion in all other directions. When similar challenges have been faced at other skeletal locations, the solution involved anchoring the bone screws through the far cortex of the bone portions to be joined, in effect anchoring the screws in such a way as to make it possible for the screws to force movement of the plates. In the cervical spine anteriorly, however, it has been found to be highly undesirable to drive the bone screws through the far cortex of the vertebral bodies, as this is where the spinal cord is located. There remains therefore a need for an improved cervical plating system as just described that does not require that the bone screws penetrate the far cortex to achieve the desired purpose as described.

The size of the vertebral bodies and the spacing between the vertebral bodies varies from patient to patient. The height of the vertebral bodies and the discs therebetween may vary level by level even in the same person. Thus, a plate of correct length does not necessarily have bone screw receiving holes correctly positioned to overlie the vertebral bodies in accordance with the spacing of the vertebral bodies to which the plate is to be applied. As a result, conventional plating systems of the past had to be manufactured in many different lengths and spacing configurations which were nevertheless fixed in an attempt to provide plates for many, though still possibly not all, of the various sizes and spacings of the vertebral bodies to which the plate was to be applied. For example, in a multi-segment plate the length of the plate would need to correspond to the overall length of the vertebral bodies to be joined and actual distances therebetween and the screw holes of the plate arranged to overlie the vertebral bodies. In order to cover the possible range of sizes, health care facilities would need to carry a large inventory of different sizes of plates, in some cases as many as sixty different sized plates would be needed. Such a large inventory is an expensive undertaking and still worse, facilities with a high caseload need to invest in more than one of each plate size to provide for the possibility of overlapping demand for the same plate size. Facilities with lower caseloads may find it prohibitively expensive to stock an inventory of plates sufficient to cover the range of possible sizes and thus might not be able to afford to stock a set at all or have less than all sizes of plates needed for all cases. Manufactures cannot afford to place a set of plates on consignment in facilities with low caseloads as the number of sales would not cover the carrying costs of the plates.

There exists therefore a need for an improved anterior cervical plating system that (1) allows for the overall adjustability of the length of the plate; (2) allows for variations in spacing between the bone screw receiving holes of the plate portions corresponding to the attachment point of the plate to the vertebral bodies; (3) reduces the requisite plate inventory; and (4) can avoid or prevent distraction pseudoarthrosis without itself introducing multidirectional instability.

SUMMARY OF THE INVENTION

The present invention in one preferred embodiment is a dynamic anterior cervical plating system including a plate

comprising segments in moveable relationship to each other adapted to allow for the overall adjustability of the length of the plate and for variations in the intersegmental spacing of the bone screw receiving holes, to create and/or store a compressive load across a disc space between two adjacent vertebral bodies to be fused, and/or to allow motion of the vertebral bodies toward each other to prevent or close gaps in the continuity of a fusion construct, while preferably preventing motion in all other directions when in use. As used herein, a spinal fusion segment is defined as two vertebral bodies with an intervertebral implant, made of bone or an artificial material, in the disc space therebetween. As used herein, a fusion construct is defined as a spinal fusion segment plus the hardware, such as a plate and screws for example.

The present invention in another preferred embodiment is a dynamic, modular, anterior cervical plating system including a plate comprising assembleable segments in moveable relationship to each other adapted to allow for the overall adjustability of the length of the plate and for variations in the intersegmental spacing of the bone screw receiving holes, to create and/or store a compressive load across a disc space between two adjacent vertebral bodies to be fused, and/or to allow motion of the vertebral bodies toward each other to prevent or close gaps in the continuity of a fusion construct, while preferably preventing motion in all other directions when in use.

The ability to permit the movement of adjacent vertebral bodies toward one another is referred to herein as “dynamization.” Dynamization may be “passive” allowing the plate to shorten when a shortening force, such as a compressive load is applied. Dynamization may be “active” wherein the plating system stores energy to induce shortening of the fusion construct should the opportunity present. The present invention plating system may passively dynamize, actively dynamize, provide a combination of both, as well as convert and store certain compressive stresses encountered during the healing phase as will be more fully described herein.

The plate segments also can be moved to vary the spacing between the plate segments as well as the overall length of the plate so that the size of the plate may be adjusted to correspond to a range of sizes and spacing of the adjacent vertebral bodies to which the plate is being applied; thereby greatly reducing the inventory of plate sizes needed. The moveable plate segments combine to form the plate. Each plate segment is attached to a vertebral body to be fused by at least one bone screw and preferably a pair of bone screws, which when inserted, are preferably prevented from backing out of the plate by at least one locking element adapted to lock at least two bone screws to the plate. In an alternative embodiment, a locking element is adapted to lock a single bone screw to the plate.

The paths of the bone screws through the plate may be fixed or variable. If the paths are variable, they may be more or less stable depending on how resistant to motion the screws are relative to the plate when the screws are locked to the plate. To the extent that screws are sufficiently stable in relation to the plate to make use of the present inventive teaching, these screw, plate, and lock combinations or variations thereon are also within the broad scope of the present invention.

In a preferred embodiment of the present invention, after each of the segments of the plate are attached to a respective one of the vertebral bodies to be fused, the plate is capable of movement from a first or elongated position to a second or shorter position, a process generally referred to as “passive dynamization”—that is the ability of the system to allow the plated spinal segment to shorten in response to unmet compressive loads to allow for the bone portions to be fused to

move close together to restore contact. A preferred embodiment of this present invention is capable of allowing for this passive dynamization while preventing undesirable motions along and around all axes other than the motion along the longitudinal axis of the plate.

In another preferred embodiment of the present invention, the plate segments are articulated in such a way that even the one freedom of movement that is along the longitudinal axis of the plate is selectively limited to the desired passive dynamization—that is shortening of the plate construct. This preferred embodiment of the present invention will shorten as required to maintain loaded contact of the bone portions to be fused, and if challenged, resist any forces such as those that would accompany cervical extension that would distract or destabilize the construct by elongating it. A further benefit of this embodiment is its ability to store and impart a compressive load across the fusion site referred to herein as “active dynamization” wherein energy stored in the system shortens the plate construct if conditions permit. This load can be applied by the surgeon at the time of surgery and/or be produced during the healing phase by harnessing the compressive loads such as occur randomly with neck motion. Compressive load within a physiological range has been shown to have a beneficial effect on the healing of bone. The induction of a compressive load across vertebral bodies to be fused, induces bone growth and when bone resorption occurs at the interface of the graft or implant and the vertebral bodies to be joined, those vertebral bodies are urged to move closer together, thus avoiding the formation of a gap therebetween and thereby acting to mitigate against pseudoarthrosis.

Alternatively, various embodiments of the present invention allow the surgeon to induce a desired amount of preload (compressive force) across the fusion site and to permit a desired amount of shortening of the construct—“active dynamization” should the opportunity occur; and yet lock the system to prevent any further shortening as might present a risk of deformity or be otherwise undesirable. Such a system urges the bone portions closer together.

In a preferred embodiment, a pre-load force can be applied to the plate segments such that while the plate segments may undergo no added motion initially, there is a selective force applied to the plate segments and the plate segments are capable of motion in only one direction, such that should resorption occur at one of the fusion interfaces then the plate segments are not only free to move in a direction toward one another, and only in that direction, but are also urged to do so to relieve that preload force. Such a system urges the vertebral bodies together over time as resorption permits.

Alternatively, in another embodiment of the plate of the present invention, a desired amount of preload (compressive force) may be induced across the fusion site to permit active dynamization should the opportunity occur, without locking the system such that after active dynamization is exhausted (if exhausted), then the plate will still allow passive dynamization to occur thereafter.

In another embodiment of the present invention, the plate includes a structural feature such as a groove, recess, slot, cam, or pivot, within its physical perimeter to engage a tool to cooperatively move segments of the plate towards each other. These embodiments of the present invention may be adapted to allow for passive, active, or active plus passive dynamization, and when used to store compressive load to allow for or prevent further motion thereafter. In a preferred version of this embodiment, the structural feature contained within the plate for generating the compressive load and/or shortening the plate, may also serve as the locking mechanism to limit the amount of further shortening possible.

5

Various embodiments of the plating system of the present invention provide one or more of the following advantages:

1. The requisite plate inventory is reduced as each plate may cover a range of sizes. The plate of the present invention includes multiple segments which may be of varying sizes wherein the segments are adapted to be assembled so as to be adjustable to provide for the size and spacing apart of the vertebral bodies to which the plate is to be applied. The plate may have its segments moved relative to one another so that the spacing between the plate segments may be adjusted so as to correspond to the actual distances between the vertebral bodies to be fused in a multi-segment construct for a more precise fit. The height of the discs and the vertebral bodies may vary level by level even in the same person. Thus, the ability to adjust the distances between the segments of the plates that correspond to the attachments to those vertebral bodies allows for a more precise fit of the plate to the spine with a reduced inventory of the number of plates required to do so.
2. It is possible to precisely contour each segment separately.
3. The plating system of the present invention reduces the risk that the plate construct will be discovered to be too short or too long after the attachment process has commenced.
4. It is possible to compress and dynamize levels selectively.
5. The fasteners that link the segments can be tightened to lock the segments after they are compressed or, alternatively, can allow for further motion of the plate segments together.
6. The same hardware can provide for passive dynamization or be rigidly fixed depending on the fasteners used to link plate segments.
7. The system can allow for passive dynamization, active dynamization, the combination of passive and active dynamization, or can convert body motion into active dynamization.

BRIEF DESCRIPTION OF THE DRAWINGS

FIG. 1A is an exploded top perspective view of a plate, a fastener, and a locking element in accordance with a preferred embodiment of the present invention.

FIG. 1B is an exploded top perspective view of a plate, a fastener, and a locking element in accordance with another preferred embodiment of the present invention.

FIG. 1C is an exploded top perspective view of a plate, a fastener, and locking elements in accordance with another preferred embodiment of the present invention.

FIG. 1D is an exploded top perspective view of a plate, a fastener, and locking elements in accordance with another preferred embodiment of the present invention.

FIG. 2A is an exploded bottom perspective view of the plate, fastener, and locking element of FIG. 1A.

FIG. 2B is an exploded bottom perspective view of the plate, fastener, and locking element of FIG. 1B.

FIG. 2C is an exploded bottom perspective view of the plate, fastener, and locking elements of FIG. 1C.

FIG. 2D is an exploded bottom perspective view of the plate, fastener, and locking elements of FIG. 1D.

FIG. 3A is a top plan view of the plate, fastener, and locking element of FIGS. 1A and 1B.

FIG. 3C is a top plan view of the plate, fastener, and locking elements of FIGS. 1C and 1D.

FIG. 4A is a bottom plan view of the plate, fastener, and locking element of FIG. 1A.

FIG. 4B is a bottom plan view of the plate, fastener, and locking element of FIG. 1B.

6

FIG. 4C is a bottom plan view of the plate, fastener, and locking elements of FIG. 1C.

FIG. 4D is a bottom plan view of the plate, fastener, and locking elements of FIG. 1D.

FIG. 5A is an end view of the plates of FIGS. 1A-1D.

FIG. 6A is a side elevation view of the plates of FIGS. 1A and 1B.

FIG. 6C is a side elevation view of the plates of FIGS. 1C and 1D.

FIG. 7A is a partial cross sectional view of the plates of FIGS. 1A and 1C.

FIG. 7B is a partial cross sectional view of the plates of FIGS. 1B and 1D.

FIG. 8A is an enlarged fragmentary view of the plates of FIGS. 1A and 1C and an alternative embodiment of a fastener in accordance with the present invention.

FIG. 8B is an enlarged fragmentary view of the plates of FIGS. 1B and 1D and an alternative embodiment of a fastener in accordance with the present invention.

FIG. 9A is an enlarged fragmentary cross sectional view of an embodiment of the ratchetings in the upper and lower portions of the plates of FIGS. 1A-1D in a first position.

FIG. 10A is a fragmentary cross sectional view of FIG. 9A in a second position.

FIG. 11A is an enlarged fragmentary cross sectional view of a preferred embodiment of the ratchetings in the upper and lower portions of the plates of the present invention in a first position.

FIG. 12A is a fragmentary cross sectional view of FIG. 11A in a second position.

FIG. 13A is a top perspective view of the plates and fasteners of FIGS. 1A and 1B and instrumentation for compressing the plates and instrumentation for locking the fasteners in accordance with a preferred embodiment of the present invention.

FIG. 13C is a top perspective view of the plates and fasteners of FIGS. 1C and 1D and instrumentation for compressing the plates and instrumentation for locking the fasteners in accordance with a preferred embodiment of the present invention.

FIG. 14A is a top plan view of the plates and fasteners of FIGS. 1A and 1B in a compressed state with the instrumentation of FIG. 13A shown in cross section engaging the ends of the plate to compress the plate in the direction of the arrows and with the instrumentation engaging the fastener.

FIG. 14C is a top plan view of the plates and fasteners of FIGS. 1C and 1D in a compressed state with the instrumentation of FIG. 13C shown in cross section engaging the ends of the plate to compress the plate in the direction of the arrows and with the instrumentation engaging the fastener.

FIG. 15A is a partial cross sectional view along line 15A-15A of FIG. 14A for the plate of FIG. 1A.

FIG. 15B is a partial cross sectional view along line 15A-15A of FIG. 14A for the plate of FIG. 1B.

FIG. 15C is a partial cross sectional view along line 15C-15C of FIG. 14C for the plate of FIG. 1C.

FIG. 15D is a partial cross sectional view along line 15C-15C of FIG. 14C for the plate of FIG. 1D.

FIG. 16A is a top perspective view of a plate, a fastener, and locking element in accordance with another preferred embodiment of the present invention.

FIG. 16C is a top perspective view of a plate, a fastener, and locking elements in accordance with another preferred embodiment of the present invention.

FIG. 17A is a top plan view of the plate and fastener of FIG. 16A.

FIG. 17C is a top plan view of the plate, fastener, and locking elements of FIG. 16C.

FIG. 18A is a top plan view of the plate of FIG. 16A in an elongated state with fastener.

FIG. 18C is a top plan view of the plate of FIG. 16C in an elongated state, fastener, and locking elements.

FIG. 19A is a bottom plan view of the plate and fastener of FIG. 16A.

FIG. 19B is a bottom plan view of another preferred embodiment of the plate and fastener of FIG. 16A.

FIG. 19C is a bottom plan view of the plate and fastener of FIG. 16C.

FIG. 19D is a bottom plan view of another preferred embodiment of the plate and fastener of FIG. 16C.

FIG. 20A is a partial cross sectional view along line 20A-20A of the plate of FIG. 17A.

FIG. 20B is a partial cross sectional view along line 20A-20A of FIG. 17A of a plate and fastener in accordance with another preferred embodiment of the present invention.

FIG. 21A is an exploded top perspective view of the plate, fastener, and locking element of FIG. 16A.

FIG. 21B is an exploded top perspective view of the plate, fastener, and locking element of FIG. 16A in accordance with another preferred embodiment of the present invention.

FIG. 21C is an exploded top perspective view of the plate, fastener, and locking elements of FIG. 16C.

FIG. 21D is an exploded top perspective view of the plate, fastener, and locking elements of FIG. 16C in accordance with another preferred embodiment of the present invention.

FIG. 22A is an exploded bottom perspective view of the plate, fastener, and locking element of FIG. 16A.

FIG. 22B is an exploded bottom perspective view of the plate, fastener, and locking element of FIG. 21B.

FIG. 22C is an exploded bottom perspective view of the plate, fastener, and locking elements of FIG. 16C.

FIG. 22D is an exploded bottom perspective view of the plate, fastener, and locking elements of FIG. 21D.

FIG. 23A is a top plan view of the plate and fastener of FIG. 16A and a partial fragmentary perspective view of an instrument for compressing the plate and securing the fastener in accordance with another preferred embodiment of the present invention.

FIG. 23C is a top plan view of the plate, fastener, and locking elements of FIG. 16C and a partial fragmentary perspective view of an instrument for compressing the plate and securing the fastener in accordance with another preferred embodiment of the present invention.

FIG. 24A is an enlarged cross sectional view of the plate of FIG. 16A with the instrument of FIG. 23A engaging the fastener and positioned within the plate.

FIG. 24B is an enlarged cross sectional view of another preferred embodiment of the plate of FIG. 16A with the instrument of FIG. 23A engaging the fastener and positioned within the plate.

FIG. 24C is an enlarged cross sectional view of the plate of FIG. 16C with the instrument of FIG. 23C engaging the fastener and positioned within the plate.

FIG. 24D is an enlarged cross sectional view of another preferred embodiment of the plate of FIG. 16C with the instrument of FIG. 23C engaging the fastener and positioned within the plate.

FIG. 25A is a fragmentary top plan view of one of the plates of FIGS. 16A and 16C in an elongated state with the instrument of FIGS. 23A and 23C shown in cross section engaging the fastener and positioned within the plate.

FIG. 26A is a fragmentary top plan view of one of the plates of FIGS. 16A and 16C in a compressed state with the instru-

ment of FIGS. 23A and 23C shown in cross section engaging the fastener and positioned within the plate to rotate the fastener in the direction of the arrow to compress the plate.

FIG. 27A is an exploded top perspective view of a plate, a fastener, and locking element in accordance with another preferred embodiment of the present invention.

FIG. 27B is an exploded top perspective view of a plate, a fastener, and locking element in accordance with another preferred embodiment of the present invention.

FIG. 27C is an exploded top perspective view of a plate, a fastener, and locking elements in accordance with another preferred embodiment of the present invention.

FIG. 27D is an exploded top perspective view of a plate, a fastener, and locking elements in accordance with another preferred embodiment of the present invention.

FIG. 28A is a cross sectional view transverse to the longitudinal axis of the plate of FIGS. 27A-27D.

FIG. 29A is a top plan view of a plate, fasteners, and locking element in accordance with another preferred embodiment of the present invention.

FIG. 29C is a top plan view of a plate, fasteners, and locking elements in accordance with another preferred embodiment of the present invention.

FIG. 30A is an exploded top perspective view of the plate, fasteners, and locking element of FIG. 29A.

FIG. 30B is an exploded top perspective view of another preferred embodiment of the plate, fasteners, and locking element of FIG. 29A.

FIG. 30C is an exploded top perspective view of the plate, fasteners, and locking elements of FIG. 29C.

FIG. 30D is an exploded top perspective view of another preferred embodiment of the plate, fasteners, and locking elements of FIG. 29C.

FIG. 31A is an exploded bottom perspective view of the plate, fasteners, and locking element of FIG. 30A.

FIG. 31B is an exploded bottom perspective view of the plate, fasteners, and locking element of FIG. 30B.

FIG. 31C is an exploded bottom perspective view of the plate, fasteners, and locking elements of FIG. 30C.

FIG. 31D is an exploded bottom perspective view of the plate, fasteners, and locking elements of FIG. 30D.

FIG. 32A is a top plan view of the plates, fasteners, and locking element of FIGS. 30A and 30B.

FIG. 32C is a top plan view of the plates, fasteners, and locking elements of FIGS. 30C and 30D.

FIG. 33A is a bottom plan view of the plate and fasteners of FIG. 30A.

FIG. 33B is a bottom plan view of the plate and fasteners of FIG. 30B.

FIG. 33C is a bottom plan view of the plate, fasteners, and locking elements of FIG. 30C.

FIG. 33D is a bottom plan view of the plate, fasteners, and locking elements of FIG. 30D.

FIG. 34A is a side elevation view of the plates of FIGS. 30A and 30B.

FIG. 34C is a side elevation view of the plates of FIGS. 30C and 30D.

FIG. 35A is a partial cross sectional view along the longitudinal axis of the plate of FIG. 30A.

FIG. 35B is a partial cross sectional view along the longitudinal axis of the plate of FIG. 30B.

FIG. 35C is a partial cross sectional view along the longitudinal axis of the plate of FIG. 30C.

FIG. 35D is a partial cross sectional view along the longitudinal axis of the plate of FIG. 30D.

FIG. 36A is a top plan view of the plates in an elongated position, fasteners, and locking element of FIGS. 30A and 30B.

FIG. 36C is a top plan view of the plates in an elongated position, fasteners, and locking elements of FIGS. 30C and 30D.

FIG. 37A is a top perspective view of one of the plates of FIGS. 30A and 30B and another preferred embodiment of instrumentation for compressing the plate and instrumentation for locking the fastener in accordance with the present invention.

FIG. 37C is a top perspective view of one of the plates of FIGS. 30C and 30D and another preferred embodiment of instrumentation for compressing the plate and instrumentation for locking the fastener in accordance with the present invention.

FIG. 38A is a top plan view of one of the plates of FIGS. 30A and 30B in a compressed state with the instrumentation of FIG. 37A shown in cross section engaging the ends of the plate to compress the plate in the direction of the arrows, an alternative embodiment of instrumentation for engaging an intermediary portion of the plate to compress the plate in the direction of the arrows in dotted line, and instrumentation engaging the fastener and positioned within the plate.

FIG. 38C is a top plan view of one of the plates of FIGS. 30C and 30D in a compressed state with the instrumentation of FIG. 37C shown in cross section engaging the ends of the plate to compress the plate in the direction of the arrows, an alternative embodiment of instrumentation for engaging an intermediary portion of the plate to compress the plate in the direction of the arrows in dotted line, and instrumentation engaging the fastener and positioned within the plate.

FIG. 39A is a side elevation view of the plate of FIG. 38A with the instrumentation shown in partial fragmentary, hidden line, and cross sectional views.

FIG. 39C is a side elevation view of the plate of FIG. 38C with the instrumentation shown in partial fragmentary, hidden line, and cross sectional views.

FIG. 40A is an exploded top perspective view of a plate, fasteners, and a locking element in accordance with another preferred embodiment of the present invention.

FIG. 40B is an exploded top perspective view of a plate, fasteners, and a locking element in accordance with another preferred embodiment of the present invention.

FIG. 40C is an exploded top perspective view of a plate, fasteners, and locking elements in accordance with another preferred embodiment of the present invention.

FIG. 40D is an exploded top perspective view of a plate, fasteners, and locking elements in accordance with another preferred embodiment of the present invention.

FIG. 41 is a top plan view of a plate, fasteners, and locking elements in accordance with another preferred embodiment of the present invention.

FIG. 42 is an exploded top plan view of a plate, fasteners, and locking elements in accordance with another preferred embodiment of the present invention.

FIG. 43 is an enlarged fragmentary cross sectional view of the plate, locking element, and bone screws of FIG. 42.

FIG. 44 is an enlarged fragmentary cross sectional view of a plate, locking element, and bone screws in accordance with another embodiment of the present invention.

FIG. 45 is a fragmentary top plan view of another preferred embodiment of a plate and a locking element adapted to lock at least two bone screws and a fastener in accordance with the present invention.

FIG. 46 is a fragmentary top plan view of another preferred embodiment of a plate and a locking element adapted to lock at least two bone screws and a fastener in accordance with the present invention.

FIG. 47a is an enlarged fragmentary cross sectional view of a locking element and bone screw in accordance with a preferred embodiment of the present invention.

FIG. 47b is an enlarged fragmentary cross sectional view of a locking element and bone screw in accordance with another preferred embodiment of the present invention.

FIG. 47c is an enlarged fragmentary cross sectional view of a locking element and bone screw in accordance with yet another embodiment of the present invention.

FIG. 47d is an enlarged fragmentary cross sectional view of the locking element and bone screw of FIG. 47c in an angled position.

FIG. 47e is an enlarged fragmentary cross sectional view of a self-locking bone screw in accordance with a further embodiment of the present invention.

DETAILED DESCRIPTION OF THE DRAWINGS

Reference will now be made in detail to the present preferred embodiments (exemplary embodiments) of the invention, examples of which are illustrated in the accompanying drawings. Wherever possible, the same reference numbers will be used throughout the drawings to refer to the same or like parts.

The present invention is for use in the cervical spine where dynamization is highly desired to prevent distraction pseudoarthrosis and to maintain a compressive load across the fusion interfaces. The present invention in one preferred embodiment is directed to a cervical plate generally having at least two movable segments that are attached to the vertebral bodies to be fused and connected in such a way as to permit dynamization of the vertebral bodies preferably along the longitudinal axis of the plate. The movement of the segments relative to one another may be accompanied by a reduction in the overall length of the plate.

Where possible, the reference numerals in the figures are followed by a letter "a", "b", "c", or "d" corresponding to preferred embodiments of the present invention, respectively. For example, a description of a feature identified by a reference numeral followed by the reference letter "a" and also applicable to a feature identified by a reference numeral followed by a letter "b", "c", or "d" will not be repeated for each of the corresponding reference numerals.

FIGS. 1A, 2A, 3A, 4A, 5A, 6A and 7A show a preferred embodiment of a cervical plate 100a in accordance with the present invention. Plate 100a is preferably formed of a first segment 102a and a second segment 104a in moveable relationship to one another. First and second segments 102a, 104a can be of various lengths and/or configurations such that when the segments are assembled preferably overlapping at least in part, plates of various lengths and/or configurations can be formed to cover a range of sizes. First and second segments 102a, 104a can be of the same or different lengths and can be coupled to each other or to an intermediate segment as shown in FIGS. 29A, 30A, 31A, 32A, 33A, 34A, 35A, 36A, 37A, 38A, 39A, and 40A and described below in connection with other preferred embodiments of the present invention. The overall length of plate 100a and the spacing of segments 102a, 104a can be adjusted by moving segments 102a, 104a relative to one another.

In this preferred embodiment of the present invention, a detachable fastener 106a couples together first and second segments 102a, 104a. Fastener 106a is configured to be

11

detachably attached to at least one of first and second segments **102a**, **104a**, to permit the assembly of two or more plate segments. Fastener **106a** is detachable to permit for the assembly of the plate segments by the surgeon and allows for the complete uncoupling of first and second segments **102a**, **104a** from one another. As used herein, “detachable fastener” is defined as a fastener that can be assembled by the surgeon at the time of use and once attached is meant to still be removable and then reattachable by the surgeon. As shown in FIG. 7A, fastener **106a**, for example, may be embodied in the form of a screw having a head **108a**, a shaft **112a**, and a thread **116a**.

As shown in FIG. 8A, in another preferred embodiment fastener **106a'** may be configured to be tightened to only one of first and second plate segments **102a**, **104a** so as to permit movement of first and second segments **102a**, **104a** relative to one another when fastener **106a'** is fully tightened. For example, fastener **106a'** may have a shoulder **110a** adapted to bear upon second segment **104a** as indicated by arrow C. Shoulder **110a** is dimensioned so as to create a gap **111a** between head **108a'** and first segment **102a** so as to still permit a specific and desired motion of first and second segments **102a**, **104a** relative to one another when fastener **106a'** is fully tightened. The limited motion of first and second segments **102a**, **104a** relative to one another provides for dynamization of the spinal segment to be fused in that those vertebral bodies are allowed to move closer together to maintain contact.

As shown in FIGS. 1A and 2A, first segment **102a** preferably has an upper surface **118a**, a lower surface **120a**, a medial portion **122a**, and an end **124a**. First segment **102a** preferably includes bone screw receiving holes **126a** proximate end **124a**. Bone screw receiving hole **126a** is preferably configured to receive a single bone screw or the bone screw receiving holes also may be configured to receive more than one bone screw. By way of example only and not limitation, a bone screw receiving hole may be in the form of a slot sized to receive at least two bone screws.

Preferably, at least two of bone screw receiving holes **126a** may be oriented in plate **100a** to overlie the anterior aspect of a single cervical vertebral body adjacent a disc space to be fused, though the invention is not so limited. For example, a first pair of bone screw receiving holes **126a** may be configured to overlie the anterior aspect of a first cervical vertebral body adjacent a disc space to be fused and at least a second pair of bone screw receiving holes **126a** may be oriented in plate **100a** to overlie the anterior aspect of a second cervical vertebral body adjacent the disc space to be fused.

Bone screw receiving hole **126a** may, though need not be, configured to form an interference fit with at least a portion of the trailing end of a properly dimensioned bone screw to be received therein. Bone screw receiving holes **126a** may be configured, for example only, so that at least one of bone screw receiving holes **126a** may hold a bone screw in a fixed relationship to the plate or may hold a bone screw in a moveable relationship, such as a variable angular relationship, described below. By way of example only and not limitation, bone screw receiving hole **126a** may have a reduced dimension proximate lower surface **120a** of segment **102a** to form a seat **127a**. Seat **127a** may have a surface adapted to contact at least a portion of a bone screw inserted therein. The surface may be at least in part planar, at least in part curved, or have any other configuration suitable for contacting at least a portion of a bone screw.

End **124a** of first segment **102a** may also include a tool engagement area **128a** adapted to cooperatively engage instrumentation for holding plate **100a** and instrumentation for moving first and second segments relative to one another

12

to induce a desired amount of compressive force across the fusion sites and to permit a desired amount of shortening of plate **100a**. Medial portion **122a** preferably has a fastener receiving opening **130a** adapted to accommodate fastener **106a** to couple first and second segments **102a**, **104a** to one another.

Fastener receiving opening **130a** is preferably configured to permit selected movement of fastener **106a** therein and to permit selected motion of first and second segments **102a**, **104a** along the longitudinal axis of plate **100a**. Fastener receiving opening **130a** may include a shoulder **132a** recessed from upper surface **118a** of first segment **102a** adapted to contact the underside of head **108a** of fastener **106a** in the tightened position to prevent movement of first and second segments **102a**, **104a** relative to one another. Alternatively, if a fastener **106a'** is used, shoulder **110a** contacts second segment **104a** and the underside of head **108a'** is positioned relative to shoulder **132a** to permit movement of first and second segments **102a**, **104a** relative to each other along the longitudinal axis of the plate when in the tightened position providing for dynamization of the vertebral bodies to be fused to occur, if needed. Fastener **106a** and fastener receiving opening **130a** cooperate to prevent complete uncoupling of first and second segments **102a**, **104a** from one another when fastener **106a** is installed. For example, fastener receiving opening **130a** may be configured to prevent head **108a** of fastener **106a** from passing therethrough.

Lower surface **120a** of first segment **102a** includes a tab receiving recess **134a** for receiving a tab **136a** described below.

Second segment **104a** has an upper surface **138a**, a lower surface **140a**, a medial portion **142a**, and an end **144a**. Second segment **104a** preferably has bone screw receiving holes **126a** proximate end **144a**. End **144a** may also include a tool engagement area **146a** adapted to cooperatively engage instrumentation for holding plate **100a** and instrumentation for moving first and second segments **102a**, **104a** relative to one another to induce a desired amount of compressive force across the fusion site and to permit a desired amount of shortening of plate **100a**. Medial portion **142a** preferably includes a fastener receiving opening **148a** for receiving a portion of fastener **106a**. As first and second segments of plate **100a** are modular and assembleable, fastener receiving opening **148a** is configured to permit detachable attachment of fastener **106a**.

Fastener receiving opening **148a** preferably has a thread **150a** adapted to engage with thread **116a** of fastener **106a**. The threaded engagement of fastener **106a** to fastener receiving opening **148a** permits first segment **102a** and second segment **104a** to be attached to each other when fastener **106a** is sufficiently rotated and tightened. As fastener **106a** is rotated further, first and second segments **102a**, **104a** are secured together and locked and do not move relative to each other. Alternatively, if fastener **106a'** shown in FIG. 8A is used in the tightened position, first and second segments **102a**, **104a** are capable of moving relative to each other.

Lower surfaces **120a**, **140a** of first and second segments **102a**, **104a** are preferably at least in part concave along at least a portion of the longitudinal axis of the plate, may be bi-concave at least in part, that is, concave along the longitudinal axis of plate **100a** and concave transverse to the longitudinal axis of the plate, or may have any shape suitable for the intended purpose transverse to the longitudinal axis of the plate. A person skilled in the art will appreciate that plate **100a** may be adapted for other curvatures or have no curvature without departing from the intended purpose within the broad scope of the present invention. Lower surfaces **120a**, **140a** are

preferably adapted to contact at least a portion of the vertebral bodies to be fused and may be configured to conform to the anterior aspect of at least a portion of the vertebral bodies.

Second segment **104a** preferably includes a tab **136a** extending from medial portion **142a**. Tab **136a** is configured to cooperatively engage a tab receiving recess **134a** in the lower surface **120a** of first segment **102a**. Tab **136a** acts as a spring to maintain first and second segments **102a**, **104a** aligned along the longitudinal axis of plate **100a**. Tab **136a** also functions to limit movement of first segment **102a** in a direction transverse to longitudinal axis of plate **100a** to prevent end **124a** from dropping down beyond a desired position. This limited movement of first segment **100a** prevents medial portion **122a** of first segment **102a** from lifting away from medial portion **142a** beyond a desired position, so that ratchetings **150a** are not overly separated and rendered less effective as described in more detail below. It is appreciated that other configurations of segments **102a**, **104a** are possible to hold apart segments **102a**, **104a** and to limit movement of the segments in a direction transverse to the longitudinal axis of the plate. For example, the longitudinal curvatures of first and second segments **102a**, **104a** can be slightly different to spring apart segments **102a**, **104a**. For example, the radius of curvature of the lower surface of segment **102a** may be different than the radius of curvature of the upper surface of segment **104a**.

At least a portion of lower surface **120a** of first segment **102a** and upper surface **138a** of second segment **104a** are preferably configured to interdigitate with one another to permit selected adjustment of the length of plate **100a**. For example, lower surface **120a** and upper surface **138a** may include a surface configuration, such as ratchetings **152a**, configured to cooperatively interdigitate to permit selected and sequential movement along the longitudinal axis of plate **100a**. The ratchetings are preferably biased to allow movement in one preferred direction along the longitudinal axis of the plate so as to allow shortening of the plate and resist lengthening of the plate.

FIGS. **9A** and **10A** show an embodiment of ratchetings having a configuration that is useful if no movement of first and second segments **102a**, **104a** is desired after fastener **106a** is tightened. A preferred angular relationship of the cross section of ratchetings **152a₁** is a 45-45-90 degree triangular relationship. As shown in FIG. **9A**, in a first position, the peaks and valleys of ratchetings **152a₁** are cooperatively mating. Ratchetings **152a₁** permit for the fixed positioning of first and second segments **102a**, **104a** relative to one another to create a selected length of plate **100a**. As shown in FIG. **10A**, the peaks and valleys are separated to permit movement of the first and second segments in the directions of the arrows along the longitudinal axis of plate **100a**. In order for first and second segments **102a**, **104a** to move relative to one another, there must be sufficient freedom of movement for the segments to move apart in order to clear the height of the peaks of ratchetings **152a₁**. Accordingly, in a preferred embodiment fastener **106a** is configured to have at least one position that permits movement of the first and second segments along the longitudinal axis of plate **100a** as well as along an axis transverse to the longitudinal axis of plate **100a** such that ratchetings **152a** can move apart. Fastener **106a** can be tightened to a second position to resist or prevent movement of segments **102a**, **104a** relative to one another. For example, movement of segments **102a**, **104a** can be resisted in a direction along at least a portion of the longitudinal axis of plate **100a**.

FIGS. **11A** and **12A** show another preferred embodiment of ratchetings **152a₂** having a forward-facing configuration for permitting movement in a single direction. The configura-

tion of ratchetings **152a₂** is useful when movement of first and second segments **102a**, **104a** is desired to permit further shortening of the plate. A preferred angular relationship of the triangular cross section of ratchetings **152a₂** is a 30-60-90 degree triangular relationship. As shown in FIG. **12A**, due to the forward facing angle of ratchetings **152a₂**, sliding movement of first and second segments **102a**, **104a** in the direction, as indicated by the arrow, along the longitudinal axis of plate **100a** is facilitated by the ramped surface **154a**. In contrast, sliding movement in the opposite direction is restricted by vertical wall **156a**. Movement of segments **102a**, **104a** is limited to a single direction with ratchetings **152a₁** and by limiting the separation of segments **102a**, **104a** along an axis transverse to the longitudinal axis of plate **100a** with fastener **106a** or **106a'**.

In a preferred embodiment, fastener **106a** or **106a'** is configured to have at least one position that permits movement of first and second segments **102a**, **104a** in both directions along the longitudinal axis of plate **100a** as well as along an axis transverse to the longitudinal axis of plate **100a** such that ratchetings **152a₂** can move apart. For example, in a first position fastener **106a** can be less than fully tightened to plate **100a** as desired by the surgeon to permit movement of first and second segments relative to each other. Fastener **106a'** can further have a second position that permits movement of segments **102a**, **104a** relative to one another only in a single direction along the longitudinal axis of plate **100a** and limits movement along an axis transverse to the longitudinal axis of plate **100a**. Therefore, plate **100a** can be shortened if the distance between the two adjacent vertebral bodies decreases, even after plate **100a** is installed, so that the vertebral bodies are not held apart by plate **100a**, to prevent the occurrence of pseudoarthrosis. One of the benefits of a forward-facing configuration of ratchetings **152a₂** is the ability to store and impart a compressive load across the fusion site. The compressive load stored may be applied by the surgeon and/or compressive loads that occur randomly with neck motion during the healing phase. First and second segments **102a**, **104a** may be pre-adjusted to correspond to the appropriate size and spacing of the adjacent vertebral bodies to be fused prior to placement of plate **100a** against the vertebral bodies by moving first and second segments **102a**, **104a** relative to one another while fastener **106a** is only partially tightened for the purpose of appropriately adjusting the length of the plate. Then, fastener **106a** may be further tightened to secure first and second segments **102a**, **104a** in the desired position.

Plates **100a** and **100b** preferably include at least one bone screw lock adapted to lock to the plate only a single bone screw inserted into one of the bone screw receiving holes. The plates of the present invention may include more than one bone screw lock, each lock being adapted to lock to the plate only a single bone screw inserted into one of the bone screw receiving holes. Preferably, the bone screw lock physically blocks the bone screw from unwanted loosening or unwanted backing out from the plate.

FIGS. **47a-47d** show preferred embodiments of locking elements for locking bone screws in accordance with the present invention. For example, the bone screw locks may be in the form of a screw, a rivet, a cap, or a cover. It is appreciated that any locking element for locking a single one of the bone screws known to one of ordinary skill in the art would be within the scope of the present invention.

FIG. **47a** shows an enlarged fragmentary cross sectional view of a locking element **172a₁** and a bone screw **174a₁**. Locking element **172a₁** threadably engages bone screw receiving hole **126a** to prevent bone screw **174a₁** from back-

15

ing out. In this embodiment, locking element **172a₁** locks bone screw **174a₁** in a fixed relationship to plate **100a**.

FIG. **47b** is an enlarged fragmentary cross sectional view of a locking element **172a₂** and a bone screw **174a₂**. Locking element **172a₂** threadably engages bone screw receiving hole **126a** to prevent bone screw **174a₂** from backing out. In this embodiment, locking element **172a₂** is adapted to hold bone screw **174a₂** in an angular relationship to plate **100a**. Examples of preferred fixed-angled single locking elements are taught by Michelson in U.S. Pat. No. 6,139,550, (the '550 patent) entitled "Skeletal Plating System," the disclosure of which is hereby incorporated by reference herein. Locking element **172a₂** may also permit movement of bone screw **174a₂** relative to plate **100a**.

FIGS. **47c** and **47d** are enlarged fragmentary cross sectional views of a locking element **172a₃** and bone screw **174a₃** in accordance with another embodiment of the present invention. Locking element **172a₃** threadably engages bone screw receiving hole **126a** to prevent bone screw **174a₃** from backing out. In this embodiment, locking element **172a₃** is adapted to hold bone screw **174a₃** in an angular relationship to plate **100a**. Locking element **172a₃** may also permit movement of bone screw **174a₃** relative to plate **100**. Locking element **172a₃** is adapted to adjustably lock bone screw **174a₃** in a variable angle relationship relative to plate **100a**. Bone screw **174a₃** preferably has a rounded head **176a₃** that cooperates with the bottom surface of single locking element **172a₃**, thus allowing screw **174a₃** to move relative to plate **100a**. Examples of preferred variable-angled single locking elements are taught by Michelson in the '550 patent the disclosure of which is hereby incorporated by reference herein.

FIG. **47e** is an enlarged fragmentary cross sectional view of a self-locking bone screw **174a₄** in accordance with another embodiment of the present invention. Bone screw **174a₄** has thread **178a₄** adapted to threadably engage bone screw receiving hole **126a**. The thread pattern of thread **178a₄** is has a tighter pitch than the thread pattern of the bone engaging thread of bone screw **174a₄**. The different thread pitches prevent bone screw **174a₄** from backing out after installation is completed.

It is appreciated that various types of bone screws and single lock systems may be utilized with the plates of the present invention.

With appropriate embodiments of the plates described herein, the surgeon may induce a desired amount of "preload," or compressive force across the fusion site after plate attachment by moving first and second segments **102a**, **104a** toward one another to shorten the length of plate **100** as desired. Inducing a preload enhances fusion by maintaining a compressive force between adjacent vertebral bodies and reducing the chance that gaps might develop as new living bone replaces the dead bone during the fusion process.

FIGS. **13A**, **14A**, and **15A** show a preferred embodiment of instrumentation **200a** for compressing and locking plate **100a**. Instrumentation **200a** has a handle **202a** with a pair of tongs **204a**, **206a** in moveable relationship to each. Tongs **204a**, **206a** are configured to cooperatively engage ends **124a**, **144a** of first and second segments, **102a**, **104a**, respectively. Instrumentation **200a** may be used to hold and position plate **100a** in a desired position at the fusion site during at least a portion of the procedure for installing plate **100a**. Any instrument capable of engaging the plate so as to serve the intended purpose would be within the scope of the instrumentation and method of the present invention. As an example only, methods and instrumentation for installing plates to the cervical spine, including a pilot hole forming punch to create bone screw receiving holes in the vertebral bodies coaxially

16

aligned with the bone screw receiving holes with the plate, are taught and described by Michelson in the '721 patent, incorporated by reference herein. After segments **102a**, **104a** have been attached to the adjacent vertebral bodies with an appropriate fastening element, such as bone screws, instrument **200a** can be used to move segments **102a**, **104a** toward one another to shorten the length of plate **100a** and create a compressive load across the disc space. After the desired length of plate **100a** is achieved, an instrument **208a** having a head **210a** configured to cooperatively engage fastener **106a** is used to tighten fastener **106a** to secure first and second segments **102a**, **104a** in a desired position. When in a secured position, segments **102a**, **104a** may maintain a compressive load across the disc space if desired. Head **210a** of instrument **208a** may have a hex-shaped configuration.

FIGS. **1B**, **2B**, **4B**, **7B**, **8B**, and **15B** show another preferred embodiment of a cervical plate **100b** in accordance with the present invention. In this preferred embodiment of the present invention, plate **100b** may include at least one bone screw lock adapted to lock to the plate only a single bone screw inserted into one of bone screw receiving holes **126b** such as described above in relation to plate **100a** and a non-detachable fastener **106b** configured to couple together first and second segments **102b**, **104b** to couple together two or more plate segments. Fastener **106b** is non-detachable to prevent non-destructive complete uncoupling of first and second segments **102b**, **104b** from one another during normal use. As used herein, "non-detachable fastener" is defined as a fastener that once attached is not meant to be removed and then reattached. As shown in FIG. **7B**, fastener **106b**, for example, may be embodied in the form of a rivet having a head **108b**, a shaft **112b**, and a base **114b**. By way of example only and not limitation, base **114b** may be coupled to second segment **104b** so that it is permanently attached, but is still capable of an element of rotation about its longitudinal axis. Shaft **112b** of fastener **106b** preferably has a thread **116b**.

Fastener receiving opening **148b** of plate **100b** is configured to permit non-detachable attachment of fastener **106b** while permitting an element of rotation of fastener **106b** about its longitudinal axis. For example as shown in FIG. **2B**, the bottom portion of fastener receiving opening **148b** proximate lower surface **140b** of second segment **104b** may have a smaller dimension than the maximum dimension of base **114b** (e.g. flared portion of a rivet) of fastener **106b** so as to prevent passage of the end portion therethrough. Moreover, the bottom portion of fastener receiving opening **148b** may be beveled to accommodate base **114b** (e.g. flared portion) of fastener **106b** so that it is generally flush or recessed to the bottom surface and preferably does not impede close contact of lower surface **140b** with the surface of the vertebral bodies. The first and second plate segments may be modular components of various configurations assembled by the manufacturer of the plate and provided to the surgeon in an assembled state. In the assembled state, the plate has a non-detachable fastener that prevents non-destructive complete uncoupling of the first and second segments during normal use.

FIGS. **1C**, **2C**, **3C**, **4C**, **6C**, **13C**, **14C**, and **15C** show another preferred embodiment of a cervical plate **100c** in accordance with the present invention. In this preferred embodiment of the present invention, plate **100c** may include a detachable fastener configured to couple together first and second segments **102c**, **104c** such as described above in relation to plate **100a** and a bone screw lock adapted to lock at least two bone screws inserted in bone screw receiving holes **126c**. Bone screw locks **172c** are coupled to plate **100c** and

17

may be removable or may be non-detachably attached to plate 100c. Bone screw locks 172c may be coupled to plate 100c prior to the insertion of the bone screws into bone screw receiving holes 126c. Alternatively, the bone screw locks may be coupled to the plate after the insertion of the bone screws into the bone screw receiving holes.

As shown in FIGS. 1C, 2C, 3C, 4C, 14C, and 15C, by way of example only and not limitation, bone screw lock 172c may have a tool engagement portion 174c adapted to cooperatively engage an instrument used for coupling bone screw lock 172c to plate 100c and at least one cutout 176c. Each cutout 176c is oriented so as to permit introduction of a bone screw into an adjacent bone screw receiving hole when bone screw lock 172c is coupled to plate 100c and in the appropriate orientation. It is appreciated that other configurations of the bone screw lock are possible so as to permit introduction of a bone screw into a bone screw receiving hole adjacent to the bone screw lock without interference from the bone screw lock.

Plate 100c may have an opening 178c for receiving at least a portion of locking element 172c and may, but need not, include a recess 180c for receiving at least a portion of locking element 172c therein. Bone screw lock 172c may have a stem 182c configured to fit at least in part within opening 178c in plate 100c. Stem 182c and opening 178c may be threaded to threadably engage bone screw lock 172c to plate 100c. Alternatively, at least a portion of the interior perimeter of recess 180c and at least a portion of the perimeter of the bone screw lock may be threaded to threadably engage the bone screw lock to the plate.

In a preferred embodiment, bone screw locks 172c are configured to move from an initial position, that permits the insertion of bone screws into the bone screw receiving holes, to a final position that is adapted to extend over at least a portion of at least two of the bone screws to retain the bone screws to the plate. The bone screw lock may be adapted to be rotated from the initial position to the final position, and preferably, less than a full rotation of the bone screw lock rotates the bone screw lock from the initial position to the final position. In a preferred embodiment, the bone screw lock in the final position covers at least a portion of at least two of the bone screw receiving holes.

In another preferred embodiment, at least a portion of the bone screw lock slides from the initial position to the final position. The bone screw lock can slide over at least a portion of at least two of the bone screw receiving holes and/or slide over at least a portion of at least two bone screws in the bone screw receiving holes. The bone screw lock may be in the form of a screw, a rivet, a cap, a cover, or have any other configuration suitable for its intended purpose. The bone screw lock may have a head that is at least in part circular.

Where it is desired to lock more than one bone screw to the plate with one bone screw lock, any lock suitable for locking a plurality of bone screws to an anterior cervical plate known to those of ordinary skill in the art may be utilized, including but not limited to, the bone screw locks taught by Michelson in U.S. Pat. No. 6,193,721 (the '721 patent), incorporated by reference herein.

FIGS. 1D, 2D, 4D, and 15D show another preferred embodiment of a cervical plate 100d in accordance with the present invention. In this preferred embodiment of the present invention, plate 100d may include a non-detachable fastener configured to couple together first and second segments 102d, 104d such as described above in relation to plate 100b and a bone screw lock adapted to lock at least two bone screws inserted into bone screw receiving holes 126d such as described above in relation to plate 100c.

18

FIGS. 16A, 17A, 18A, 19A, 20A, 21A, and 22A show another preferred embodiment of a cervical plate 300a having an internal compression mechanism in accordance with the present invention. Plate 300a is similar to plate 100a except that fastener receiving opening 330a and fastener 306a function as part of a mechanism to move first and second segments 302a, 304a relative to one another to change the length of plate 300a to generate a compressive load across the disc space between two adjacent vertebral bodies to be fused. Fastener receiving opening 330a includes instrument pin receiving recesses 362a₁ and 362a₂ for cooperating with the pin of an instrument 400a (described below) for moving first and second segments 302a, 304a relative to one another. In addition, instead of a tab 136a, plate 300a has pins 358a and tracks 360a to maintain first and second segments 302a, 304a aligned along the longitudinal axis of plate 300a. Bone screw lock 372a is adapted to lock to plate 300a at least two bone screws inserted in bone screw receiving holes 326a.

As shown in FIGS. 20A, 21A, and 22A, first segment 302a preferably has two pins 358a depending therefrom for engagement in corresponding tracks 360a in second segment 304a. Pins 358a slideably engage tracks 360a, respectively, and travel therein when first and second segments 302a, 304a are moved relative to one another. Tracks 360a are staggered along the length of medial portion 342a and pins 358a are staggered along the length of medial portion 322a to maintain first and second segments 302a, 304a aligned along the longitudinal axis of plate 300a. It is appreciated that any plate configuration to achieve the intended purpose of maintaining first and second segments 302a, 304a aligned along the longitudinal axis of the plate would be within the scope of the present invention.

FIGS. 23A, 24A, 25A, and 26A show a preferred embodiment of instrumentation 400a used for compressing and locking plate 300a. Instrumentation 400a has a working end 402a configured to cooperatively engage fastener receiving opening 330a and fastener 306a. After segments 302a, 304a have been attached to the adjacent vertebral bodies with an appropriate fastening element, such as bone screws, instrument 400a can be used to move segments 302a, 304a toward one another to shorten the length of plate 300a, create a compressive load across the disc space, and concurrently tighten fastener 306a (if desired) to secure first and second segments 302a, 304a in a preferred position. Working end 402a of instrument 400a preferably has a driver portion 404a configured to cooperatively engage driver receiving opening 364a in fastener 306a. Driver portion 404a is preferably hex-shaped. Working end 402a preferably has a pin 406a extending therefrom and displaced from driver portion 404a to engage one of pin receiving recesses 362a₁ and 362a₂, respectively, when driver portion 404a is engaged with driver receiving opening 364a in fastener 306a. With driver portion 404a engaging fastener 306a and pin 406a inserted in pin receiving recess 362a₂ as shown in FIG. 25A, instrument 400a rotates fastener 306a in the direction of arrow A as shown in FIG. 26A to move first segment 302a toward second segment 304a in the direction of arrow B to reduce the length of plate 300a and can if desired concurrently tighten fastener 306a. The configuration of plate 300a provides for an internal compression mechanism that can be operated by a driver instrument eliminating the need for an externally applied compression apparatus for shortening plate 300a and creating a compressive load.

FIGS. 19B, 20B, 21B, 22B, and 24B show another preferred embodiment of a cervical plate 300b in accordance with the present invention similar to plate 300a. In this preferred embodiment of the present invention, plate 300b may

include at least one bone screw lock adapted to lock to the plate only a single bone screw inserted into one of bone screw receiving holes **326b** such as described above in relation to plate **100a** and a non-detachable fastener **306b** configured to couple together first and second segments **302b**, **304b** such as described above in relation to plate **100b**.

FIGS. **16C**, **17C**, **18C**, **19C**, **21C**, **22C**, **23C**, and **24C** show another preferred embodiment of a cervical plate **300c** in accordance with the present invention similar to plate **300a**. In this preferred embodiment of the present invention, plate **300c** may include a detachable fastener configured to couple together first and second segments **302c**, **304c** such as described above in relation to plate **100a** and a bone screw lock adapted to lock at least two bone screws inserted in bone screw receiving holes **326c** such as described above in relation to plate **100c**.

FIGS. **19D**, **21D**, **22D**, and **24D** show another preferred embodiment of a cervical plate **300d** in accordance with the present invention similar to plate **300a**. In this preferred embodiment of the present invention, plate **300d** may include a non-detachable fastener configured to couple together first and second segments **302d**, **304d** such as described above in relation to plate **100b** and a bone screw lock adapted to lock at least two bone screws inserted into bone screw receiving holes **326d** such as described above in relation to plate **100c**.

FIGS. **27A** and **28A** show another preferred embodiment of a cervical plate **500a** in accordance with the present invention. Plate **500a** is similar to plate **100a** except that first segment **502a** is configured to receive at least a portion of second segment **504a** therein in a tongue and groove configuration. As shown in FIG. **28A**, first segment **502a** preferably has a C-shaped cross section and second segment **504a** preferably has a T-shaped cross section. The configurations of segments **502a**, **504a** in this embodiment of the present invention keep segments **502a**, **504a** aligned along the longitudinal axis of plate **500a** and limit movement of segments **502a**, **504a** in a direction generally transverse to the longitudinal axis of plate **500a**. A person of ordinary skill in the art would appreciate that other configurations of cooperatively engaging first and second segments **502a**, **504a** are possible without departing from the intended purpose within the broad scope of the present invention. Bone screw lock **572a** is adapted to lock to plate **500a** one bone screw inserted in one of bone screw receiving holes **526a**.

FIG. **27B** shows another preferred embodiment of a cervical plate **500b** in accordance with the present invention similar to plate **500a**. In this preferred embodiment of the present invention, plate **500b** may include at least one bone screw lock adapted to lock to the plate only a single bone screw inserted into one of bone screw receiving holes **526b** such as described above in relation to plate **100a** and a non-detachable fastener **506b** configured to couple together first and second segments **502b**, **504b** such as described above in relation to plate **100b**.

FIG. **27C** shows another preferred embodiment of a cervical plate **500c** in accordance with the present invention similar to plate **500a**. In this preferred embodiment of the present invention, plate **500c** may include a detachable fastener configured to couple together first and second segments **502c**, **504c** such as described above in relation to plate **100a** and a bone screw lock adapted to lock at least two bone screws inserted in bone screw receiving holes **526c** such as described above in relation to plate **100c**.

FIG. **27D** shows another preferred embodiment of a cervical plate **500d** in accordance with the present invention similar to plate **500a**. In this preferred embodiment of the present invention, plate **500d** may include a non-detachable fastener

configured to couple together first and second segments **502d**, **504d** such as described above in relation to plate **100b** and a bone screw lock adapted to lock at least two bone screws inserted into bone screw receiving holes **526d** such as described above in relation to plate **100c**.

FIGS. **29A**, **30A**, **31A**, **32A**, **33A**, **34A**, **35A**, and **36A** show another preferred embodiment of a cervical plate **600a** in accordance with the present invention. Plate **600a** is similar to plate **100a** except that it is configured for use across two levels of the cervical spine. In addition to the elements of plate **100a**, plate **600a** further includes an intermediate third segment **666a** between first and second segments **602a**, **604a**. Third segment **666a** has a first end **668a** configured to cooperatively engage first segment **602a**. Third segment **666a** has a second end **670a** configured to cooperatively engage second segment **604a**. Third segment **666a** and first and second segments **602a**, **604a** are articulated and can be moved to vary the spacing between the bone screw receiving holes of the plate segments as well as the overall length of the plate. Third segment **666a** can be made of different lengths and/or configurations to vary the distance between first and second segments **602a**, **604a** to further vary the spacing between the bone screw receiving holes and further vary the overall length of the plate.

In a preferred embodiment of the present invention, plate **600a** could be provided to the health care facility in a set of segments. For example, a set or group of six segments could include a longer and a shorter one of first, second, and third segments **602a**, **604a**, **666a**. These segments could be assembled to cover a range of sizes. Additional intermediate segments **666a** can be used to assemble a plate that covers additional levels of the spine and preferably the spacing between plate segments would be adjustable.

First end **668a** of third segment **666a** has similar features to second segment **604a** including a fastener receiving recess **648a**, bone screw receiving holes **626a**, ratchetings **652a** on at least a portion of its upper surface **638a**, and a tab **636a**. Second end **670a** of third segment **666a** has similar features to first segment **602a** including a ratchetings **652a** on at least a portion of its lower surface **620a** and a tab receiving recess **634a**. A first fastener **606a** couples together first segment **602a** to first end **668a** of third segment **666a**. A second fastener couples together second segment **604a** to second end **670a** of third segment **666a**. Additional segments **666a** may be added for use across more than two levels of the spine. Segments **666a** are configured to be coupled together with first end **668a** of one segment **666a** to second end **670a** of another segment **666a**. Bone screw lock **672a** is adapted to lock to plate **600a** at least two bone screws inserted in bone screw receiving holes **626a**.

FIGS. **37A**, **38A**, and **39A** show a preferred embodiment of instrumentation **700a** for compressing and locking plate **600a**. Instrumentation **700a** has a handle **702a** with a pair of tongs **704a**, **706a** in moveable relationship to each. Tongs **704a**, **706a** are configured to cooperatively engage ends **624a**, **644a** of first and second segments, **602a**, **604a**, respectively, to shorten the overall length of the plate and to apply a desired compressive load across multiple levels of the spine. Instrumentation **700a** may be used to position plate **600a** in a desired position at the fusion site during at least a portion of the procedure for installing plate **600a**. An instrument may be used for holding the plate such as the instrumentation disclosed in the '721 patent incorporated by reference above. Instrument **700a** can be used to move segments **602a**, **604a** toward one another and toward third segment **666a** to shorten the length of plate **600a** and create a compressive load across the respective disc spaces.

As shown in FIG. 38A, an alternative embodiment of instrument 700a' may be used to move first or second segment 602a, 604a toward third segment 666a so that a compressive load may be applied to one disc space at a time. Instrument 700a' has a tong 704a' similar to tong 704a for engaging one of ends 624a, 644a of first and second segments 602a, 604a, and forked tong 707a for engaging the third segment as shown in FIG. 38A.

After the desired length of plate 600a is achieved, an instrument 708a having a head 710a configured to cooperatively engage fastener 606a is used to tighten fastener 606a to secure first, second, and third segments 602a, 604a, 666a in a desired position.

FIGS. 30B, 31B, 33B, and 35B show another preferred embodiment of a cervical plate 600b in accordance with the present invention similar to plate 600a. In this preferred embodiment of the present invention, plate 600b may include at least one bone screw lock adapted to lock to the plate only a single bone screw inserted into one of bone screw receiving holes 626b such as described above in relation to plate 100a and a non-detachable fastener 606b configured to couple together first and second segments 602b, 604b such as described above in relation to plate 100b.

FIGS. 29C, 30C, 31C, 32C, 33C, 34C, 35C, 36C, 37C, 38C, and 39C show another preferred embodiment of a cervical plate 600c in accordance with the present invention similar to plate 600a. In this preferred embodiment of the present invention, plate 600c may include a detachable fastener configured to couple together first and second segments 602c, 604c such as described above in relation to plate 100a and a bone screw lock adapted to lock at least two bone screws inserted in bone screw receiving holes 626c such as described above in relation to plate 100c.

FIGS. 30D, 31D, 33D, and 35D show another preferred embodiment of a cervical plate 600d in accordance with the present invention similar to plate 600a. In this preferred embodiment of the present invention, plate 600d may include a non-detachable fastener configured to couple together first and second segments 602d, 604d such as described above in relation to plate 100b and a bone screw lock adapted to lock at least two bone screws inserted into bone screw receiving holes 626d such as described above in relation to plate 100c.

FIG. 40A shows another preferred embodiment of a cervical plate 800a in accordance with the present invention. Plate 800a is similar to plate 600a except that first segment 802a is configured to receive at least a portion of the first end 868a of third segment 866a therein in a tongue and groove configuration and second end 870a of third segment 866a is configured to receive at least a portion of second segment 804a therein, in a tongue and groove configuration. A person of ordinary skill in the art would appreciate that other configurations of cooperatively engaging first and second segments 802a, 804a are possible without departing from the intended purpose within the broad scope of the present invention. Bone screw lock 872a is adapted to lock to plate 800a at least two bone screws inserted in bone screw receiving holes 826a.

FIG. 40B shows another preferred embodiment of a cervical plate 800b in accordance with the present invention similar to plate 800a. In this preferred embodiment of the present invention, plate 800b may include at least one bone screw lock adapted to lock to the plate only a single bone screw inserted into one of bone screw receiving holes 826b such as described above in relation to plate 100a and a non-detachable fastener 806b configured to couple together first and second segments 802b, 804b such as described above in relation to plate 100b.

FIG. 40C shows another preferred embodiment of a cervical plate 800c in accordance with the present invention similar to plate 800a. In this preferred embodiment of the present invention, plate 800c may include a detachable fastener configured to couple together first and second segments 802c, 804c such as described above in relation to plate 100a and a bone screw lock adapted to lock at least two bone screws inserted in bone screw receiving holes 826c such as described above in relation to plate 100c.

FIG. 40D shows another preferred embodiment of a cervical plate 800d in accordance with the present invention similar to plate 800a. In this preferred embodiment of the present invention, plate 800d may include a non-detachable fastener configured to couple together first and second segments 802d, 804d such as described above in relation to plate 100b and a bone screw lock adapted to lock at least two bone screws inserted into bone screw receiving holes 826d such as described above in relation to plate 100c.

FIG. 41 shows a cervical plate 900c with locking elements 902c in accordance with another preferred embodiment of the present invention. Locking elements 902c are adapted to lock at least two bone screws installed in each of bone screw receiving holes 916c, respectively. Locking element 902c is in moveable relationship to plate 900c so that locking element 902c can be pre-installed to plate 900c prior to the insertion of bone screws into bone screw receiving holes 916c. During installation of the bone screws, locking element 902c can be slid to one side of the plate as shown in the top portion of the plate in FIG. 41 to allow for insertion of a first bone screw into a first bone screw receiving hole 916c on the opposite side of plate 900c. Locking element 902c is then moved to the opposite side of plate 900c to permit insertion of a second bone screw into the second bone screw receiving hole 916c. Locking element 902c is then moved to cover at least a portion of both first and second bone screws and can be locked in place by a screw 917c as shown in the middle and bottom portions of plate 900c in FIG. 41.

FIGS. 42 and 43 show a cervical plate 1000c with locking elements 1002c in accordance with another preferred embodiment of the present invention. Locking elements 1002c are installed to cover at least a portion of two bone screw receiving holes 1016c. In this embodiment, the bone screws are installed in bone screw receiving holes 1016c and locking element 1002c is placed over at least a portion of two bone screws to lock the bone screws. Locking element 1002c can be held in place with a screw 1017c that passes at least in part through opening 1003c in locking element 1002c and engages opening 1005c in plate 1000c to lock two bone screws 1048c to plate 1000c as shown in FIG. 43. Bone screws 1048c preferably have a leading end configured for insertion into the cervical spine and a head 1049c opposite the leading end that may be configured to contact locking element 1002c. By way of example only, bone screws 1048c may be configured to be in a fixed relationship to plate 1000c such as shown in FIG. 43.

FIG. 44 is a fragmentary cross sectional view of another preferred embodiment of a locking element 1002c' and bone screws 1048c'. Locking element 1002c' has a bottom surface adapted to cooperate with a rounded portion of head 1049c' of bone screws 1048c' and is adapted to hold bone screws 1048c' in an angular relationship to plate 1000c'. Examples of preferred fixed-angled locking elements are taught by Michelson the '550 patent hereby incorporated by reference herein. Locking element 1002c' may also permit movement of bone screw 1048c' relative to plate 1000c'. Locking element 1002c' may also be adapted to adjustably lock bone screws 1048c' in a variable angle relationship relative to plate 1000c'.

Examples of preferred variable-angled locking elements are taught by Michelson in the '550 patent. The rounded portion of head **1049c'** permits bone screws **1048c'** to be in a moveable relationship, such as for example in a variable angular relationship to plate **1000c'**. Other configurations are possible for the intended purpose and are within the broad scope of the present invention.

Various methods for using and installing the plates of the present invention are disclosed in the '550 and '721 patents to Michelson identified above, incorporated by reference herein.

FIG. 45 shows a plate **1100c** and a locking element **1180c** adapted to lock at least two bone screws and a fastener **1134c** in accordance with the present invention. Preferably, locking element **1180c** is configured to be preinstalled to plate **1100c** prior to insertion of the bone screws in bone screw receiving holes **1116c** and attachment of fastener **1134c** to plate **1100c**. Locking element **1180c** has a first position that permits insertion of bone screws in respective bone screw receiving holes **1116c** and installation and/or movement of fastener **1134c**. Locking element **1180c** has a second position that covers at least a portion of at least two bone screw receiving holes **1116c** and fastener **1134c** to lock at least two bone screws and fastener **1134c** to plate **1100c**. Locking element **1180c** may preferably be configured to rotatably and/or slideably cover at least a portion of two bone screws in bone screw receiving holes **1116c** and at least a portion of fastener **1134c**.

FIG. 46 shows another preferred embodiment of a plate **1200c** and locking element **1280c** adapted to lock at least two bone screws and a fastener **1234c** in accordance with the present invention. Locking element **1280c** is configured to be installed to plate **1200c** after insertion of bone screws in bone screw receiving holes **1216c** and attachment of fastener **1234c** to plate **1200c**. Locking element **1280c** is configured to cover at least a portion of at least two bone screw receiving holes **1216c** and fastener **1234c** to lock at least two bone screws and at least a portion of fastener **1234c** to plate **1200c**. Locking element **1280c** is preferably attached to plate **1200c** by a screw **1217c** or by any other means suitable for the intended purpose.

The plates of present invention may include a bone screw system that allows the vertebrae to move toward an interposed bone graft, and each other if necessary, instead of keeping the vertebrae apart during the occurrence of the resorption phase of the creeping substitution process. For example, the '550 patent discloses three types of screw-plate-lock systems, which are themselves combinable with one another, as follows: (1) Passive Dynamic; (2) Self-Compressing; and (3) Active Dynamic and are incorporated by reference herein.

It is appreciated that for any of the embodiments of the plates described herein can be made of, treated, coated, combined with, comprised of, or used with any source of osteogenesis, fusion promoting substances, bone growth promoting materials, bone, bone derived substances or products, demineralized bone matrix, mineralizing proteins, ossifying proteins, bone morphogenetic proteins, hydroxyapatite, genes coding for the production of bone, substances other than bone, and bone including, but not limited to, cortical bone. The plates, screws, fasteners, and/or screw locks may also be combined with material and/or substance for inhibiting scar formation. The plates, screws, fasteners, and/or screw locks may be combined with an antimicrobial material and/or surface treated or coated to be antibacterial and/or antimicrobial, such as for example, by a silver coating. At least a portion of the bottom surface of the plates can preferably have a porous, and/or textured and/or roughened surface and may be coated with, impregnated with, or comprise of fusion promot-

ing substances (such as bone morphogenetic proteins) so as to encourage the growth of bone along the underside of the plate from bone portion to bone portion. The textured bottom surface also provides a medium for retaining fusion promoting substances with which the bottom surface layer can be impregnated prior to installation. The bottom surface of the plate may be given the desired porous textured form by rough blasting or any other conventional technology, such as etching, plasma spraying, sintering, and casting for example. If porous so as to promote bone ingrowth, the bottom surface is formed to have a porosity or pore size in the order of 50-500 microns, and preferably 100-300 microns. Bone growth promoting substances with which the porous, textured bottom surface can be impregnated include, but are not limited to, bone morphogenetic proteins, hydroxyapatite, or hydroxyapatite tricalcium phosphate. The plate, screws, fasteners, and/or bone screw locks may include at least in part a resorbable and/or bioresorbable material which can further be impregnated with a bone growth material so that as the resorbable and/or bioresorbable material is resorbed by the body of the patient, the bone growth material is released, thus acting as a time release mechanism. The bioresorbable material may be, for example, at least in part bone. The plate of the present invention may be used in combination with a spinal fixation implant such as any object, regardless of material, that can be inserted into any portion of the spine, such as but not limited to interbody spinal implants, interbody spinal fusion implants, structural bone grafts, mesh, cages, spacers, staples, bone screws, plates, rods, tethers of synthetic cords or wires, or other spinal fixation hardware. The interbody spinal fusion implants may be at least in part bone, for example only, an allograft interbody bone graft. Alternatively, the spinal interbody spinal fusion implant may be at least in part artificial. At least one of the plate, screws, fasteners, and/or bone screw locks may be, if so desired, electrified for purposes of stimulating bone growth and contributing to bone fusion.

Other embodiments of the invention will be apparent to those skilled in the art from consideration of the specification and practice of the invention disclosed herein. It is intended that the specification and examples be considered as exemplary only, with a true scope and spirit of the invention being indicated by the following claims.

What is claimed is:

1. A plate adapted to be applied to the anterior human cervical spine for contacting the anterior aspects of at least two adjacent cervical vertebral bodies to be fused together, said plate comprising:
 - a longitudinal axis;
 - a first plate segment adapted to be attached to one of the adjacent vertebral bodies to be fused and a second plate segment adapted to be attached to another one of the adjacent vertebral bodies to be fused, said first plate segment having an interior with an upper surface, a lower surface opposite said upper surface, and opposed side surfaces, said first plate segment being adapted to slideably receive a portion of said second plate segment into said interior of said first plate segment to form said plate;
 - a bottom surface adapted to contact the cervical vertebral bodies, said bottom surface being concave at least in part along at least a portion of the longitudinal axis of said plate;
 - at least one bone screw hole in each of said first and second plate segments, said at least one bone screw hole being adapted to receive at least one bone screw for engaging the cervical vertebral body to attach said plate to the cervical spine;

25

said first and second plate segments being configured to couple together in cooperative relationship so as to facilitate movement of said first and second plate segments in a direction toward one another along the longitudinal axis of said plate and to resist movement of said first and said second plate segments in a direction away from one another along the longitudinal axis of said plate, said first and second plate segments when attached to the adjacent vertebral bodies, respectively, being adapted to move toward one another in response to movement of the adjacent vertebral bodies toward each other.

2. The plate of claim 1, wherein at least a portion of said upper surface of said interior of said first plate segment is configured to interdigitate with at least a portion of an upper surface of said second plate segment.

3. The plate of claim 2, wherein said at least a portion of said upper surface of said interior of said first plate segment and said at least a portion of said upper surface of said second plate segment include at least one ratchet.

4. The plate of claim 1, further comprising at least one bone screw lock adapted to lock to said plate at least one bone screw inserted in said bone screw holes, respectively.

5. The plate of claim 4, wherein said at least one bone screw lock is removably coupled to said plate.

6. The plate of claim 4, wherein said at least one bone screw lock is adapted to be coupled to said plate prior to the insertion of at least one bone screw into at least one of said bone screw holes.

7. The plate of claim 4, wherein said at least one bone screw lock is configured to move from an initial position that permits the insertion of at least one bone screw into at least one of said bone screw holes to a final position that is adapted to extend over at least a portion of at least one of the bone screws to retain the bone screw to said plate.

8. The plate of claim 7, wherein less than a full rotation of said at least one bone screw lock rotates said bone screw lock from the initial position to the final position.

9. The plate of claim 1, further comprising at least one fastener adapted to fasten together said first and second plate segments.

10. The plate of claim 9, wherein said fastener is detachably attached to at least one of said first and second plate segments so as to permit assembly of said first and second plate segments by the surgeon and complete uncoupling of said first and second plate segments relative to one another.

11. The plate of claim 9, wherein said fastener is non-detachably attached to at least one of said first and second plate segments so as to prevent complete uncoupling of said first and second plate segments relative to one another.

12. The plate of claim 9, wherein said fastener has a first position adapted to facilitate movement of said first and second plate segments in a direction toward one another along the longitudinal axis of said plate and to resist movement of said first and said second plate segments in a direction away from one another along the longitudinal axis of said plate.

13. The plate of claim 12, wherein said first and second plate segments move in only a single direction toward one another along the longitudinal axis of said plate when said fastener is in said first position.

14. The plate of claim 12, wherein said fastener has a second position adapted to limit movement of said first and second plate segments relative to one another along the longitudinal axis of said plate.

15. The plate of claim 9, wherein said fastener is configured to be tightened to only one of said first and second plate

26

segments so as to permit movement of said first and second plate segments relative to one another.

16. The plate of claim 9, where said fastener is at least in part threaded.

17. An orthopedic plate adapted to be applied to two portions of bone to dynamically compress the bone portions toward one another, said plate comprising:

a longitudinal axis;

a first plate segment having an interior with an upper surface, a lower surface opposite said upper surface, and opposed side surfaces; and

a second plate segment having a portion adapted to be slideably received by said interior of said first plate segment from said plate, said first and second plate segments each including at least one bone screw hole adapted to receive a bone screw for engaging the respective plate segment to the bone, said first and second plate segments each including a fastener receiving opening configured to receive a fastener for limiting movement of said first and second plate segments relative to each other, said fastener receiving opening of each of said first and second plate segments having a complete perimeter, said first and second plate segments being configured to couple together in cooperative relationship so as to facilitate movement of said first and second plate segments in a direction toward one another along the longitudinal axis of said plate and to resist movement of said first and said second plate segments in a direction away from one another along the longitudinal axis of said plate.

18. The plate of claim 17, wherein at least a portion of said upper surface of said interior of said first plate segment is configured to interdigitate with at least a portion of an upper surface of said second plate segment.

19. The plate of claim 18, wherein said at least a portion of said upper surface of said interior of said first plate segment and said at least a portion of said upper surface of said second plate segment include at least one ratchet.

20. The plate of claim 17, further comprising at least one bone screw lock adapted to lock to said plate at least one bone screw inserted in said bone screw holes, respectively.

21. The plate of claim 20, wherein said at least one bone screw lock is removably coupled to said plate.

22. The plate of claim 20, wherein said at least one bone screw lock is adapted to be coupled to said plate prior to the insertion of at least one bone screw into at least one of said bone screw holes.

23. The plate of claim 20, wherein said at least one bone screw lock is configured to move from an initial position that permits the insertion of at least one bone screw into at least one of said bone screw holes to a final position that is adapted to extend over at least a portion of at least one of the bone screws to retain the bone screw to said plate.

24. The plate of claim 23, wherein less than a full rotation of said at least one bone screw lock rotates said bone screw lock from the initial position to the final position.

25. The plate of claim 17, further comprising at least one fastener adapted to fasten together said first and second plate segments.

26. The plate of claim 25, wherein said fastener is detachably attached to at least one of said first and second plate segments so as to permit assembly of said first and second plate segments by the surgeon and complete uncoupling of said first and second plate segments relative to one another.

27. The plate of claim 25, wherein said fastener is non-detachably attached to at least one of said first and second

plate segments so as to prevent complete uncoupling of said first and second plate segments relative to one another.

28. The plate of claim **25**, wherein said fastener has a first position adapted to facilitate movement of said first and second plate segments in a direction toward one another along the longitudinal axis of said plate and to resist movement of said first and said second plate segments in a direction away from one another along the longitudinal axis of said plate.

29. The plate of claim **28**, wherein said first and second plate segments move in only a single direction toward one another along the longitudinal axis of said plate when said fastener is in said first position.

30. The plate of claim **28**, wherein said fastener has a second position adapted to limit movement of said first and second plate segments relative to one another along the longitudinal axis of said plate.

31. The plate of claim **25**, wherein said fastener is configured to be tightened to only one of said first and second plate segments so as to permit movement of said first and second plate segments relative to one another.

32. The plate of claim **25**, where said fastener is at least in part threaded.

* * * * *

UNITED STATES PATENT AND TRADEMARK OFFICE
CERTIFICATE OF CORRECTION

PATENT NO. : 8,834,533 B2
APPLICATION NO. : 12/925819
DATED : September 16, 2014
INVENTOR(S) : Gary K. Michelson

Page 1 of 1

It is certified that error appears in the above-identified patent and that said Letters Patent is hereby corrected as shown below:

Title Page 3, Column 1, Item (56) References Cited:

Line 13, Foreign Patent Documents: change "7/1997" to --6/1977--; and
Line 35, Other Publications: change "Ebi" to --EBI--.

In the Claims:

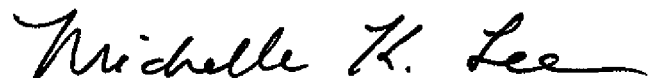
Column 26:

Line 14, Claim 16: change "segment form" to --segment to form--.

Column 27:

Line 21, Claim 32: change "where said" to --wherein said--.

Signed and Sealed this
Seventeenth Day of March, 2015



Michelle K. Lee
Director of the United States Patent and Trademark Office