



(12) **United States Patent**
Michelson

(10) **Patent No.:** **US 7,691,148 B2**
(45) **Date of Patent:** **Apr. 6, 2010**

(54) **FRUSTO-CONICAL SPINAL IMPLANT**

2,789,558 A 4/1957 Rush

(75) Inventor: **Gary Karlin Michelson**, Venice, CA
(US)

(Continued)

(73) Assignee: **Warsaw Orthopedic, Inc.**, Warsaw, IN
(US)

FOREIGN PATENT DOCUMENTS

(*) Notice: Subject to any disclaimer, the term of this patent is extended or adjusted under 35 U.S.C. 154(b) by 812 days.

CA 1 328 957 5/1994

(21) Appl. No.: **11/085,706**

(Continued)

(22) Filed: **Mar. 19, 2005**

OTHER PUBLICATIONS

(65) **Prior Publication Data**

US 2005/0165399 A1 Jul. 28, 2005

Tech. Mitt. Krupp, Nickel-Titanium Spacers For Partial Stiffening Of The Spinal Column—Problems Involved, Manufacture, Pretesting, And Clinichal Use; vol. 42 (1984), No. 1, pp. 24-38; including translation pp. 5-27.

Related U.S. Application Data

(Continued)

(63) Continuation of application No. 08/484,928, filed on Jun. 7, 1995, now Pat. No. 6,923,810.

Primary Examiner—Eduardo C Robert
Assistant Examiner—Ellen C Hammond

(51) **Int. Cl.**

A61F 2/44 (2006.01)

A61B 17/70 (2006.01)

(74) *Attorney, Agent, or Firm*—Martin & Ferraro, LLP

(52) **U.S. Cl.** **623/17.16**; 623/17.11; 606/246

(57) **ABSTRACT**

(58) **Field of Classification Search** 606/61, 606/246, 279; 623/17.11–17.16

See application file for complete search history.

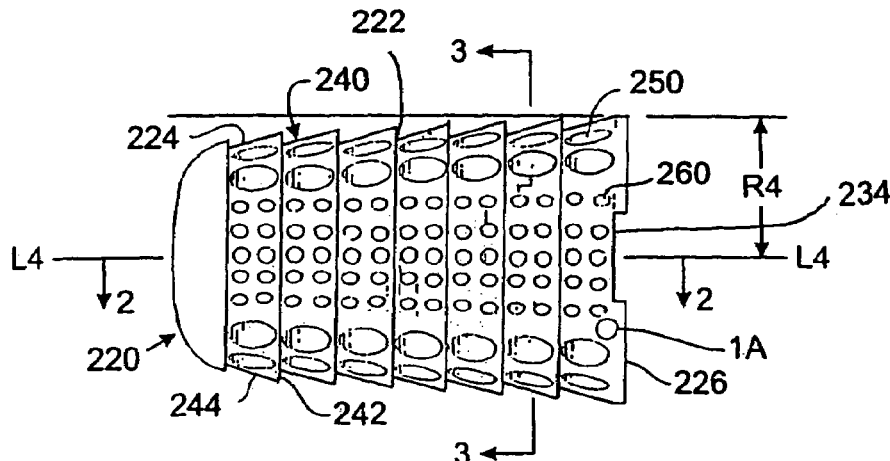
The present invention is directed to a variety of interbody spinal fusion implants having at least a partially frusto-conical configuration. The spinal fusion implants of the present invention may be relatively solid or hollow and may have surface roughenings to promote bone ingrowth and stability. The spinal fusion implants of the present invention may have wells extending into the material of the implant from the surface for the purpose of holding fusion promoting materials and to provide for areas of bone ingrowth fixation. A variety of surface irregularities may be employed to increase implant stability and implant surface area, and/or for the purpose of advancing the spinal fusion implant into the fusion site.

(56) **References Cited**

U.S. PATENT DOCUMENTS

350,420 A	10/1886	Dillon
1,137,585 A	4/1915	Craig
2,065,659 A	12/1936	Cullen
2,181,746 A	11/1939	Siebrandt
2,243,718 A	5/1941	Moreira
2,372,622 A	3/1945	Fassio
2,514,665 A	7/1950	Myller
2,537,070 A	1/1951	Longfellow
2,543,780 A	3/1951	Hipps et al.
2,677,369 A	5/1954	Knowles
2,774,350 A	12/1956	Cleveland

25 Claims, 5 Drawing Sheets



U.S. PATENT DOCUMENTS					
			4,492,226 A	1/1985	Belykh et al.
2,832,343 A	4/1958	Mose	4,497,320 A	2/1985	Nicholson et al.
2,842,131 A	7/1958	Smith	4,501,269 A	2/1985	Bagby
2,878,809 A	3/1959	Treace	4,507,115 A	3/1985	Kambara et al.
3,128,768 A	4/1964	Geistauts	RE31,865 E	4/1985	Roux
3,298,372 A	1/1967	Feinberg	4,530,360 A	7/1985	Duarte
3,426,364 A	2/1969	Lumb	4,535,374 A	8/1985	Anderson et al.
3,486,505 A	12/1969	Morrison	4,535,485 A	8/1985	Ashman et al.
3,604,487 A	9/1971	Gilbert	4,542,539 A	9/1985	Rowe, Jr. et al.
3,605,123 A	9/1971	Hahn	4,545,374 A	10/1985	Jacobson
3,618,611 A	11/1971	Urban	4,547,390 A	10/1985	Ashman et al.
3,709,219 A	1/1973	Halloran	4,549,547 A	10/1985	Brighton et al.
3,719,186 A	3/1973	Merig, Jr.	4,552,200 A	11/1985	Sinha et al.
3,720,959 A	3/1973	Hahn	4,553,273 A	11/1985	Wu
3,750,652 A	8/1973	Sherwin	4,554,914 A	11/1985	Kapp et al.
3,848,601 A	11/1974	Ma et al.	D281,814 S	12/1985	Pratt et al.
3,855,638 A	12/1974	Pilliar	4,570,623 A	2/1986	Ellison et al.
3,867,728 A	2/1975	Stubstad et al.	4,570,624 A	2/1986	Wu
3,867,950 A	2/1975	Fischell	4,592,346 A	6/1986	Jurgutis
3,875,595 A	4/1975	Froning	4,599,086 A	7/1986	Doty
3,888,260 A	6/1975	Fischell	4,600,000 A	7/1986	Edwards
3,892,232 A	7/1975	Neufeld	4,602,638 A	7/1986	Adams
3,905,047 A	9/1975	Long	4,604,995 A	8/1986	Stephens
3,906,550 A	9/1975	Rostoker et al.	4,608,052 A	8/1986	Van Kampen et al.
3,915,151 A	10/1975	Kraus	4,611,581 A	9/1986	Steffee
3,916,907 A	11/1975	Peterson	4,619,264 A	10/1986	Singh
3,918,440 A	11/1975	Kraus	4,628,921 A	12/1986	Rouso
3,942,535 A	3/1976	Schulman	4,634,720 A	1/1987	Dorman et al.
3,948,262 A	4/1976	Zaffaroni	4,636,217 A	1/1987	Ogilvie et al.
3,952,334 A	4/1976	Bokros et al.	4,636,526 A	1/1987	Dorman et al.
3,987,499 A	10/1976	Scharbach et al.	4,645,503 A	2/1987	Lin et al.
4,016,651 A	4/1977	Kawahara et al.	4,653,486 A	3/1987	Coker
4,027,392 A	6/1977	Sawyer et al.	4,655,777 A	4/1987	Dunn
D245,259 S	8/1977	Shen	4,661,536 A	4/1987	Dorman et al.
4,051,905 A	10/1977	Kleine	4,664,567 A	5/1987	Edwards
4,059,115 A	11/1977	Jumashev et al.	4,665,920 A	5/1987	Campbell
4,070,514 A	1/1978	Entherly et al.	4,677,883 A	7/1987	Lee
4,082,097 A	4/1978	Mann et al.	4,677,972 A	7/1987	Tornier
4,086,701 A	5/1978	Kawahara et al.	4,693,721 A	9/1987	Ducheyne
4,124,026 A	11/1978	Berner et al.	4,696,290 A	9/1987	Steffee
4,142,517 A	3/1979	Stravropoulos et al.	4,698,375 A	10/1987	Dorman et al.
4,168,326 A	9/1979	Broemer et al.	4,710,075 A	12/1987	Davison
4,175,555 A	11/1979	Herbert	4,713,004 A	12/1987	Linkow et al.
4,177,524 A	12/1979	Grell et al.	4,714,469 A	12/1987	Kenna
4,181,457 A	1/1980	Holmes	4,721,103 A	1/1988	Freedland
4,197,850 A	4/1980	Schulman et al.	4,736,738 A	4/1988	Lipovsek et al.
4,206,516 A	6/1980	Pilliar	4,232,679 A	5/1988	Schulman
4,222,128 A	9/1980	Tomonaga et al.	4,743,256 A	5/1988	Brantigan
D257,511 S	11/1980	Zahn	4,743,260 A	5/1988	Burton
4,232,679 A	11/1980	Schulman	4,759,766 A	7/1988	Buettner-Janz et al.
4,237,948 A	12/1980	Jones et al.	4,759,769 A	7/1988	Hedman et al.
4,258,716 A	3/1981	Sutherland	4,769,881 A	9/1988	Pedigo et al.
4,259,072 A	3/1981	Hirabayashi et al.	4,781,591 A	11/1988	Allen
4,262,369 A	4/1981	Roux	4,790,303 A	12/1988	Steffee
4,271,832 A	6/1981	Evans et al.	4,805,602 A	2/1989	Puno et al.
D260,525 S	9/1981	Lassiter	4,820,305 A	4/1989	Harms et al.
4,289,123 A	9/1981	Dunn	4,830,000 A	5/1989	Shutt
4,293,962 A	10/1981	Fuson	4,834,757 A	5/1989	Brantigan
4,309,777 A	1/1982	Patil	4,848,327 A	7/1989	Perdue
4,328,593 A	5/1982	Sutter et al.	4,851,008 A	7/1989	Johnson
4,333,469 A	6/1982	Jeffcoat et al.	4,863,476 A	9/1989	Shepperd
4,341,206 A	7/1982	Perrett et al.	4,863,477 A	9/1989	Monson
4,349,921 A	9/1982	Kuntz	4,865,603 A	9/1989	Noiles
4,356,572 A	11/1982	Guillemin et al.	4,877,020 A	10/1989	Vich
4,401,112 A	8/1983	Rezaian	4,878,915 A *	11/1989	Brantigan 623/17.11
4,405,319 A	9/1983	Cosentino	4,903,882 A	2/1990	Long
4,414,979 A	11/1983	Hirshorn et al.	4,904,260 A *	2/1990	Ray et al. 623/17.12
4,423,721 A	1/1984	Otte et al.	4,904,261 A	2/1990	Dove et al.
4,439,152 A	3/1984	Small	4,911,718 A	3/1990	Lee et al.
4,450,834 A	5/1984	Fischer	4,913,144 A	4/1990	Del Medico
4,481,943 A	11/1984	Michelson	4,936,848 A	6/1990	Bagby
4,484,570 A	11/1984	Sutter et al.	4,943,291 A	7/1990	Tanguy
			4,950,296 A	8/1990	McIntyre

4,955,885	A	9/1990	Meyers	EP	0 077 159	4/1983
4,955,908	A	9/1990	Frey et al.	EP	0 162 005	11/1985
4,957,495	A	9/1990	Kluger	EP	0 179 695	4/1986
4,960,420	A	10/1990	Goble et al.	EP	0 260 044	3/1988
4,961,740	A *	10/1990	Ray et al. 606/61	EP	0 307 241	3/1989
4,968,316	A	11/1990	Hergenroeder	EP	0 493 698	7/1992
4,969,888	A	11/1990	Scholten et al.	EP	0 499 465 A1	8/1992
4,987,904	A	1/1991	Wilson	EP	0 526 682 A1	2/1993
5,015,247	A *	5/1991	Michelson 606/247	EP	0 551 187 A1	7/1993
5,015,255	A	5/1991	Kuslich	EP	0 577 179 A1	1/1994
5,026,373	A	6/1991	Ray et al.	EP	0 599 419 A2	6/1994
5,030,236	A	7/1991	Dean	EP	0 637 439	2/1995
5,055,104	A *	10/1991	Ray 606/247	EP	0 637 440	2/1995
5,059,193	A	10/1991	Kuslich	EP	0 646 366	4/1995
5,062,845	A	11/1991	Kuslich et al.	EP	0 732 093 A2	9/1996
5,071,437	A	12/1991	Steffee	ES	283078	5/1985
5,084,050	A	1/1992	Draenert	FR	2 295 729	7/1976
5,102,414	A	4/1992	Kirsch	FR	2 581 336	11/1986
5,108,422	A	4/1992	Green et al.	FR	2 703 580	10/1994
5,112,336	A	5/1992	Krevolin et al.	GB	1291470	10/1972
5,116,304	A	5/1992	Cadwell	GB	1492990	11/1977
5,122,130	A	6/1992	Keller	GB	1531487	11/1978
5,123,926	A	6/1992	Pisharodi	GB	2076657 A	12/1981
5,171,278	A	12/1992	Pisharodi	GB	2126094 A	3/1984
5,192,327	A *	3/1993	Brantigan 623/17.11	GB	2164277 A	3/1986
5,246,458	A	9/1993	Graham	JP	57-29348	2/1982
5,258,031	A	11/1993	Salib et al.	JP	60-31706	2/1985
5,263,953	A	11/1993	Bagby	JP	60-43984	3/1985
5,273,964	A	12/1993	Lemons	JP	61-122859	6/1986
5,279,292	A	1/1994	Baumann et al.	JP	62-155846	7/1987
5,292,252	A	3/1994	Nickerson et al.	SE	106 101	7/1939
5,306,309	A	4/1994	Wagner et al.	SU	1107854	8/1984
5,314,427	A	5/1994	Goble et al.	SU	1124960	11/1984
5,324,295	A	6/1994	Shapiro	SU	1217374	3/1986
5,352,229	A	10/1994	Goble et al.	SU	1222254	4/1986
5,360,430	A	11/1994	Lin	WO	84/01298	4/1984
5,364,399	A	11/1994	Lowery et al.	WO	91/06266	5/1991
5,370,662	A	12/1994	Stone et al.	WO	92/14423	9/1992
5,370,697	A	12/1994	Baumgartner	WO	93/01771	2/1993
5,393,036	A	2/1995	Sheridan			
RE34,871	E	3/1995	McGuire et al.			
5,396,880	A	3/1995	Kagan et al.			
5,397,359	A	3/1995	Mittelmeier et al.			
5,397,364	A	3/1995	Kozak et al.			
5,425,772	A	6/1995	Brantigan			
5,435,723	A	7/1995	O'Brien			
5,443,514	A	8/1995	Steffee			
5,458,638	A *	10/1995	Kuslich et al. 623/17.11			
5,484,437	A	1/1996	Michelson			
5,489,307	A	2/1996	Kuslich et al.			
5,489,308	A	2/1996	Kuslich et al.			
5,571,109	A	11/1996	Bertagnoli			
5,593,409	A	1/1997	Michelson			
5,669,909	A *	9/1997	Zdeblick et al. 606/61			
5,683,463	A	11/1997	Godefroy et al.			
5,766,252	A	6/1998	Henry et al.			
D397,439	S	8/1998	Koros et al.			
5,876,457	A *	3/1999	Picha et al. 623/17.11			
5,906,616	A *	5/1999	Pavlov et al. 606/247			

OTHER PUBLICATIONS

Otero-Vich, Jose M.; Anterior Cervical Interbody Fusion with Threaded Cylindrical Bone; pp. 750-753; Journal of Neurosurgery, Nov. 1985, vol. 63, No. 5.

Hutter, Charles George; Spinal Stenosis and Posterior Lumbar Interbody Fusion; pp. 103-114; Clinical Orthopaedics and Related Research; No. 193; The Association of Bone and Joint Surgeons, 1985.

Lin, Paul M.; Lumbar Interbody Fusion: Principles and Techniques in Spine Surgery; Techniques and Complications; pp. 81, 98, 120, 146, 173, 180-184, 204, 224, 225, 231; Aspen Publishers, Inc.; 1989.

Tan, S.B.; A Modified Technique of Anterior Lumbar Fusion with Femoral Cortical Allograft; pp. 83-93; The Journal of Orthopaedic Surgical Techniques, vol. 5, No. 3, 1990.

Muller, M.E.; Manual of Internal Fixation: Techniques Recommended by the AO Group; Second Edition, Expanded and Revised; pp. 3-20, 27-41, 53-58, 71-78, 94, 311, 320; Springer-Verlag; 1979.

Hierholzer, G.; Manual on the AO/ASIF Tubular External Fixator; pp. 85-91; Springer-Verlag; 1985.

Heim, Urs; Small Fragment Set Manual: Technique Recommended by the ASIF-Group; pp. 5-7, 10, 20, 21, 30; Springer-Verlag; 1974.

Harmon, Paul H.; Anterior Excision and Vertebral Body Fusion Operation for Intervertebral Disk Syndromes of the Lower Lumbar Spine: Three- to Five-Year Results in 244 Cases; pp. 107-127; Clinical Orthopaedics and Related Research, No. 26, J.B. Lippincott Company, 1963.

Harmon, Paul H.; A Simplified Surgical Technic for Anterior Lumbar Discectomy and Fusion; Avoidance of Complications; Anatomy of the Retroperitoneal Veins; pp. 130-143; Clinical Orthopaedics and Related Research, No. 37, J.B. Lippincott Company, Nov. 1964.

Bullough, Peter G.; Atlas of Spinal Diseases; Figure 5.7; J.B. Lippincott Company; 1988.

FOREIGN PATENT DOCUMENTS

CA	2 151 481	3/1995
DE	1961531	7/1970
DE	24 46 039	4/1975
DE	29 10 627	9/1980
DE	31 01 333 A1	12/1981
DE	31 32 520 A1	6/1982
DE	35 05 567 A1	6/1986
DE	36 08 163 A1	9/1987
DE	36 20 549	12/1987
DE	43 02 397 A1	7/1993
DE	4302397 A1 *	7/1993

- Butts, M.K.; Biomechanical Analysis of a New Method for Spinal Interbody Fixation; 1987 Symposium, American Society of Mechanical Engineers, "Advance in Bioengineering", Boston, MA (Dec. 13-18, 1987).
- Zindrick, et al.; Lumbar Spine Fusion: Different Types and Indications; The Lumbar Spine, vol. 1, Second Edition, pp. 588-593 (1996).
- Gillingham, F.J., et al.; Automatic Patient Monitoring in the Ward; Brit. J. Surg., vol. 53, No. 10, pp. 864-866 (Oct. 1966).
- Maloney, A.F.J., et al.; Clinical and Pathological Observations in Fatal Head Injuries, Brit. J. Surg., vol. 56, No. 1, pp. 23-31 (Jan. 1969).
- Harris, P., et al.; Spinal Deformity After Spinal Cord Injury; Paraplegia, vol. 6, No. 4, pp. 232-238 (Feb. 1969).
- Gillingham, F.J., et al.; Head injuries; Proceedings of the 18th World Congress of the International College of Surgeons, Rome, pp. 68-71 (May 28-31, 1972).
- Whatmore, W. J.; Sincipital Encephalomenigeoceles; Brit. J. Surg., vol. 60, No. 4, pp. 261-270 (Apr. 1973).
- Whatmore, W. J.; Meningioma Following Trauma; Brit. J. Surg., vol. 60, No. 6, pp. 496-498 (Jun. 1973).
- Bagby, George W.; Wobbler Syndrome in Horses (the Ataxic Horse); Spokane County Medical Society Bulletin; Spring 1979.
- Rathke, F.W., et al.; Surgery of the Spine; Atlas of Orthopaedic Operations, vol. 1, p. 137, W.B. Saunders Co., Philadelphia (1979).
- Albrektsson, T., et al.; Osseointegrated Titanium Implants; Acta Orthop. Scand.; vol. 52:155-170 (1981).
- Raveh, J., et al.; Neue Rekonstruktionsmöglichkeiten des Unterkiefers bei knöchernen Defekten nach Tumoresektionen; Der Chirurg vol. 53:459-467 (1982).
- Crock, H. V.; Practice of Spinal Surgery; Springer-Verlag/Wien, New York (1983).
- DeBowes, R.M., et al.; Study of Bovine . . . Steel Baskets; Transactions of the 29th Annual Meeting; Orthopaedic Research Society, vol. 8, p. 407, Mar. 8-10 (1983).
- O'Neill, P., et al.; Spinal Meningoceles in Association with Neurofibromatosis; Neurosurgery, vol. 13, No. 1, pp. 82-84 (Jul. 1983).
- Brandt, L., et al.; A Dowel Inserter for Anterior Cervical Interbody Fusion; J. Neurosurg. 61:793-794 (Oct. 1984).
- Whatmore, W.J., et al.; The Coventry Cervical Spreader and Dowel Inserter; ACTA Neurochirurgica, vol. 70, FASC. 1-2 (1984).
- Raveh, J., et al.; Use of the Titanium-coated Hollow Screw and Reconstruction Plate System in Bridging of Lower Jaw Defects; J. Oral Maxillofac Surg. 42:281-294 (1984).
- Morscher, E., et al.; Die vordere Verplattung der Halswirbelsäule mit dem Hohlschrauben-Plattensystem aus Titanium, *Der Chirurg*, vol. 57, pp. 702-707(1986) with English Translation.
- Bagby, G.W.; Basket Implant Facilitates Spinal Fusion; Orthopedics Today, vol. 7, No. 10, (Oct. 1987).
- Butts, M. K., et al.; Biomechanical Analysis of a New Method for Spinal Interbody Fixation; 1987 Symposium, American Society of Mechanical Engineers, "Advances in Bioengineering", Boston, MA (Dec. 13-18, 1987).
- Crawley et al.; A Modified Cloward's Technique for Arthrodesis of the Normal Metacarpophalangeal Joint in the Horse; Veterinary Surgery, vol. 17, No. 3, pp. 117-127(1988).
- Raveh, J., et al.; Surgical Procedures for Reconstruction of the Lower Jaw Using the Titanium-Coated Hollow-Screw Reconstruction Plate System: Bridging of Defects; Otolaryngologic Clinics of North America; vol. 20, No. 3 (Aug. 1987).
- Whatmore, W. J.; Proceedings of the Society of British Neurological Surgeons; Journal of Neurology, Neurosurgery, and Psychiatry, 50:1093-1100 (1987).
- Goldthwaite, N., et al.; Toward Percutaneous Spine Fusion; Ch. 45; Lumbar Spine Surgery; C.V. Mosby Company, pp. 512-522 (1987).
- Bagby, G.W.; Arthrodesis by the Distraction-Compression Method Using a Stainless Steel Implant; Orthopedics, vol. II, No. 6, pp. 931-934 (Jun. 1987).
- Itoman, M., et al.; Banked Bone Grafting for Bone Defect Repair—Clinical Evaluation of Bone Union and Graft Incorporation; J. Jpn. Orthop. Assoc. 62:461-469 (1988).
- Kane, W.J.; Direct Current Electrical Bone Growth Stimulation for Spinal Fusion; Spine, vol. 13, No. 3, pp. 363-365 (Mar. 1988).
- The SpF-T Spinal Fusion Stimulator: An Efficacious Adjunct that Meets the Diverse Needs of Spine Patients; EBI Medical Systems; (Aug. 1991).
- Schmitz et al.; Performance of Alloplastic Materials and Design of an Artificial Disc; The Artificial Disc, Brock, Mayer, Weigel; pp. 23-34 (1991).
- The Use of Direct Current for Electrically Induced Osteogenesis; The Positive Effect of an Electronegative charge on Bone Growth; EBI Medical Systems (Feb. 1993).
- Mylonas, C., et al.; Anterior Cervical Decompression and Fusion Using the Coventry Cervical Spreader and Dowel Inserter; British Journal of Neurosurgery, 7:545-549 (1993).
- Fusion of the Lumbar Spine; Anterior Monosegmental Fusion L5-S1, Atlas of Spinal Operations, Thieme, pp. 270-274 (1993).
- Spine Basics, Danek Group, Inc., Glossary (1993).
- Lumbar Spine Surgery, Techniques & Complications; History of Lumbar Spine Surgery (1994) pp. 11-15; 27; 30; 35-45; 265-268.
- Crock, H.V.; "Anterior Lumbar Interbody Fusion Indications for its Used and Notes on Surgical Technique;" *Clinical Orthopedics*; vol. 165, pp. 157-163; May 1982.
- Wilterberger, B.R., Abbott, K.H.; "Dowel Intervertebral Fusion as Used in Lumbar Disc Surgery;" *The Journal of Bone and Joint Surgery*; vol. 39A, cover page and pp. 284-292 and 331; Apr. 1957.

* cited by examiner

FIG. 1A

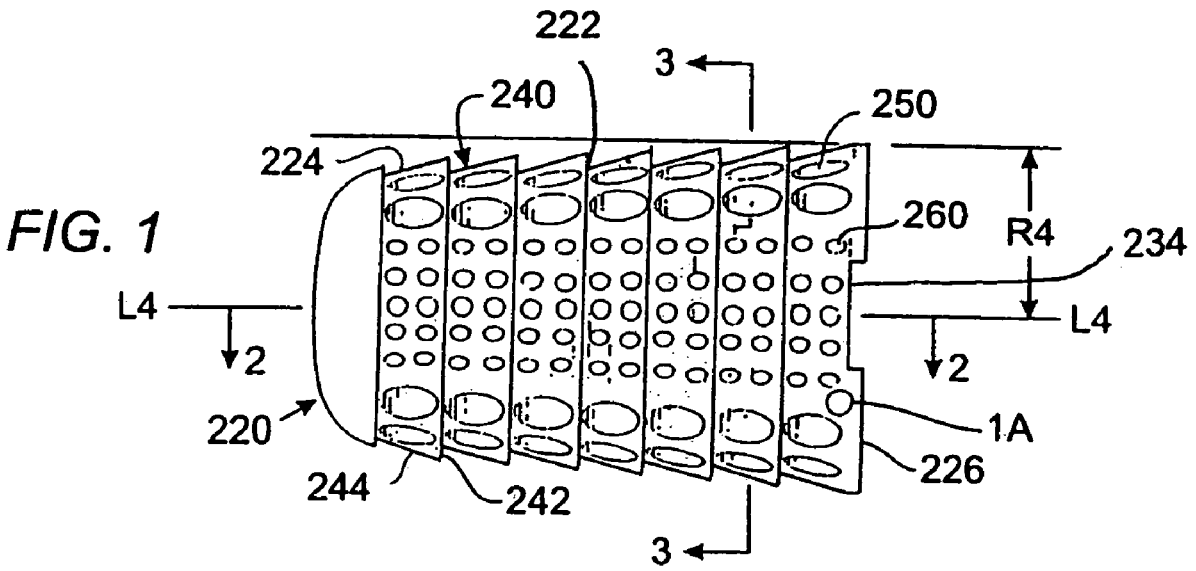
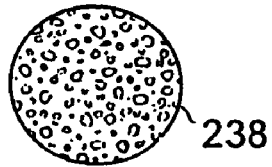
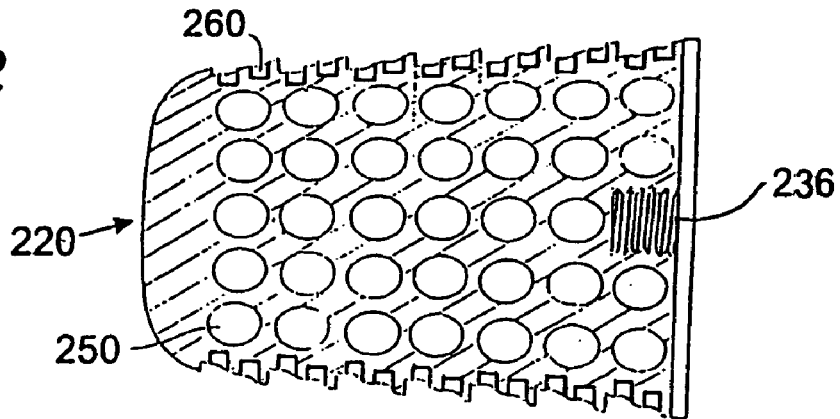


FIG. 2



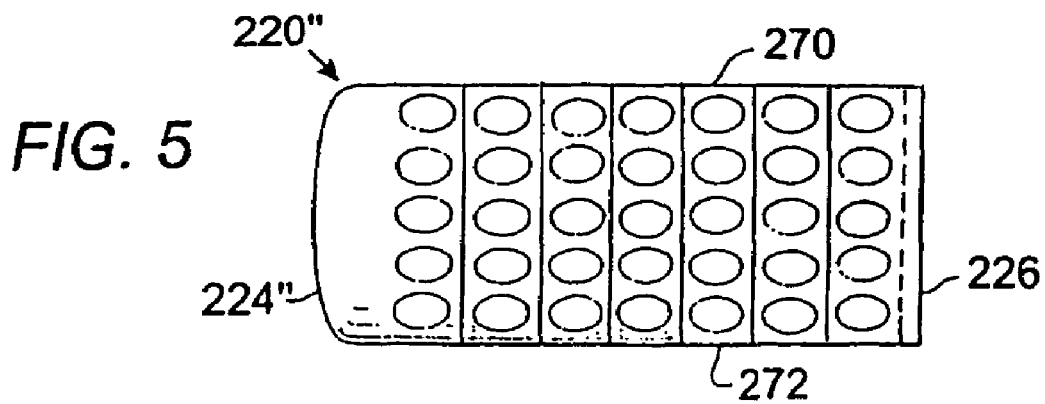
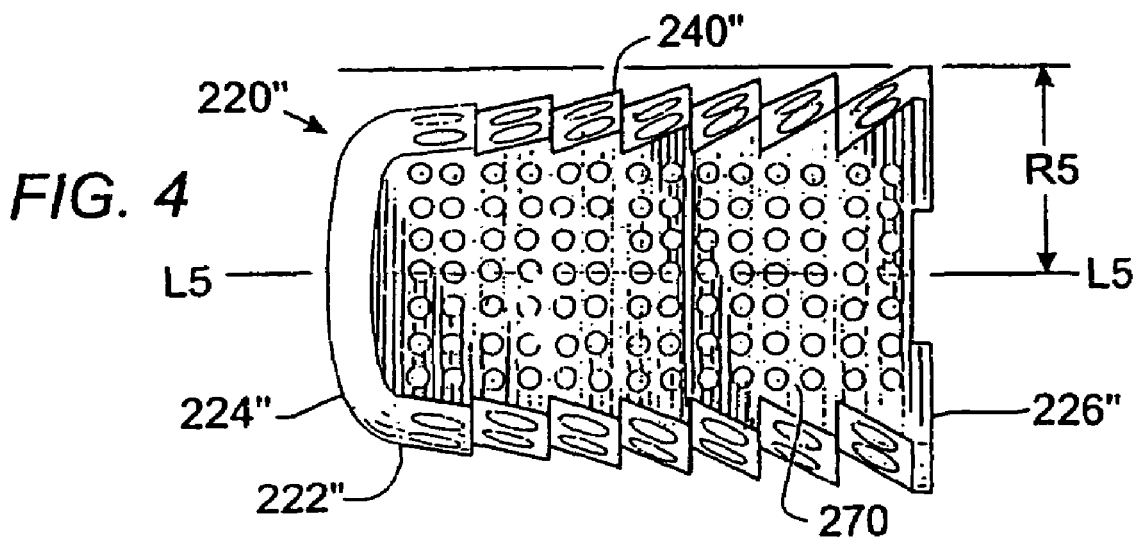
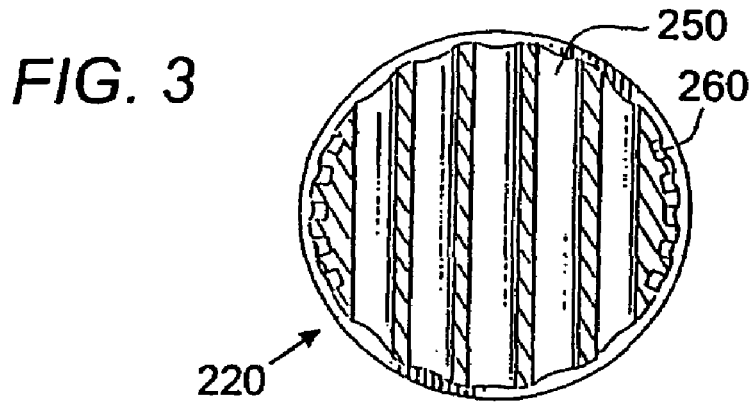
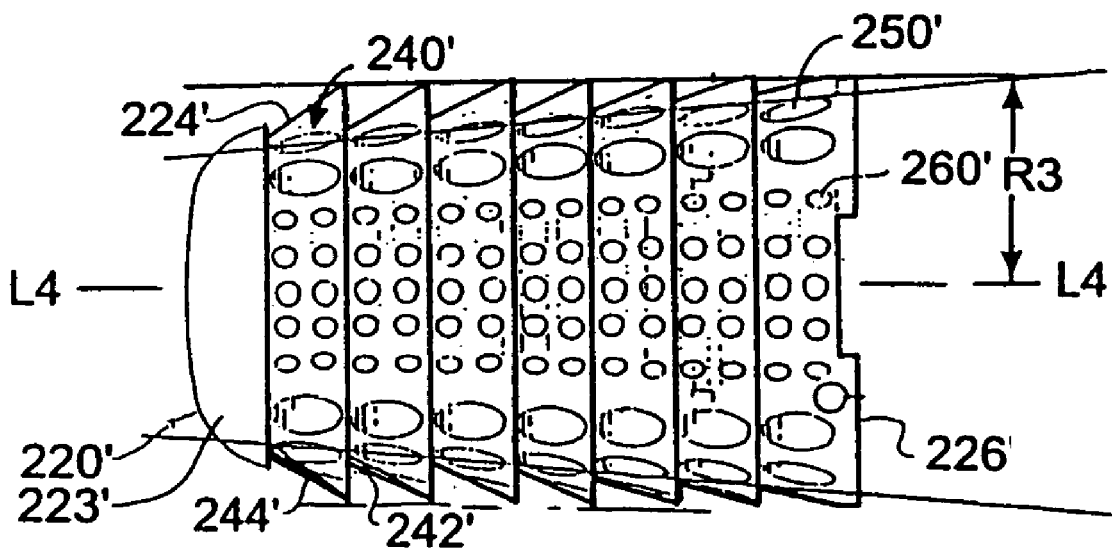


FIG. 3A



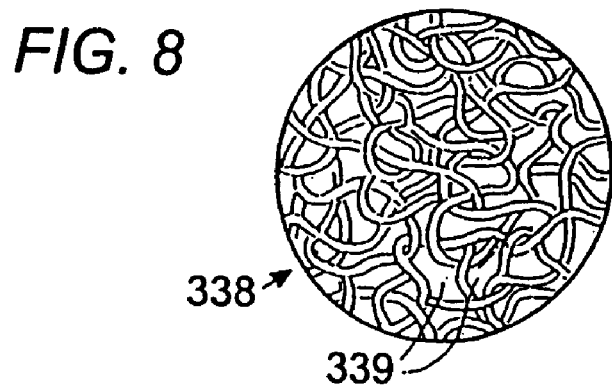
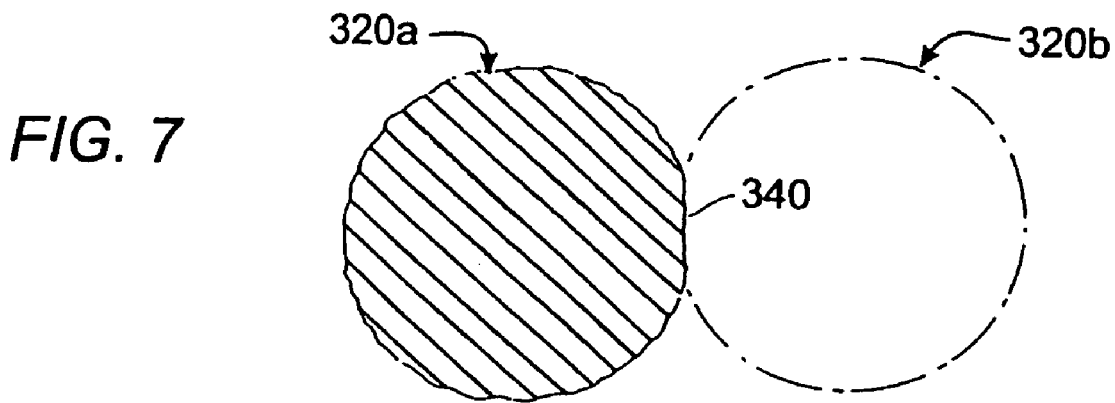
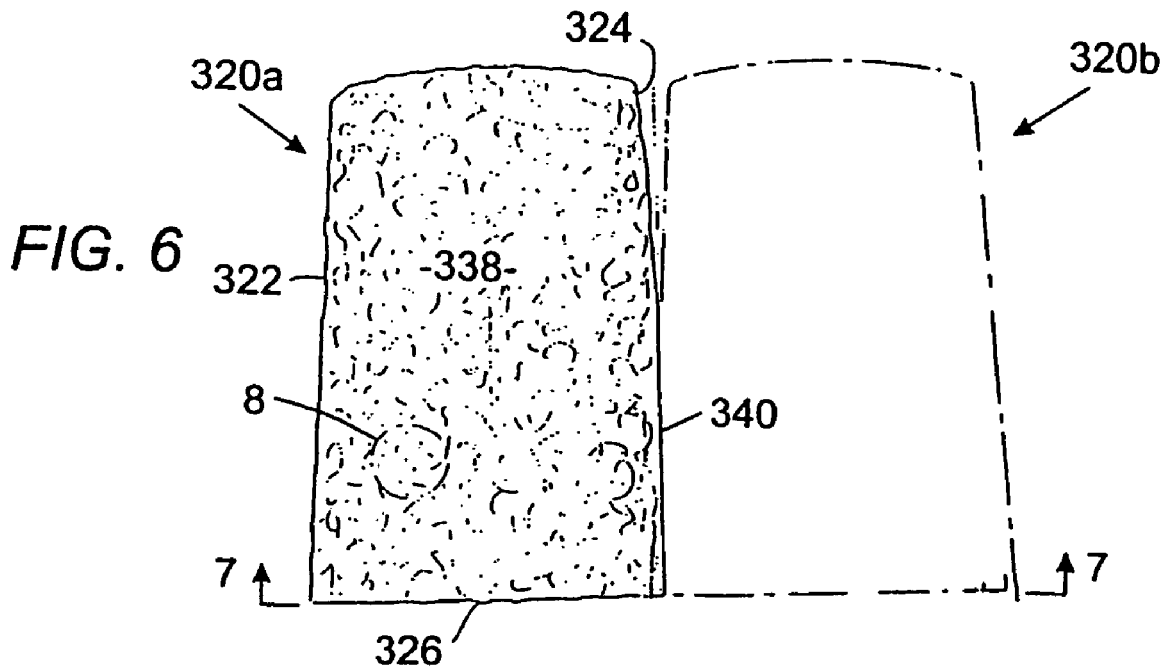


FIG. 9

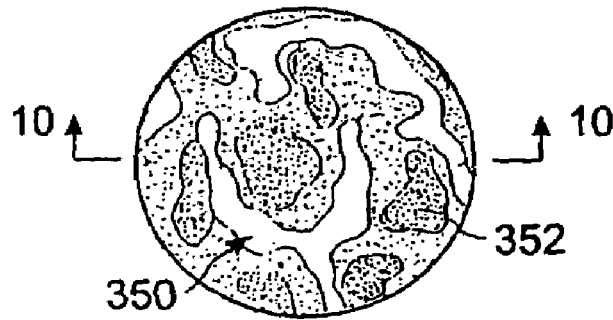


FIG. 10

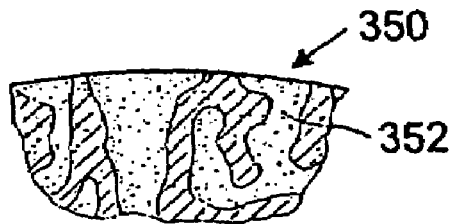


FIG. 11

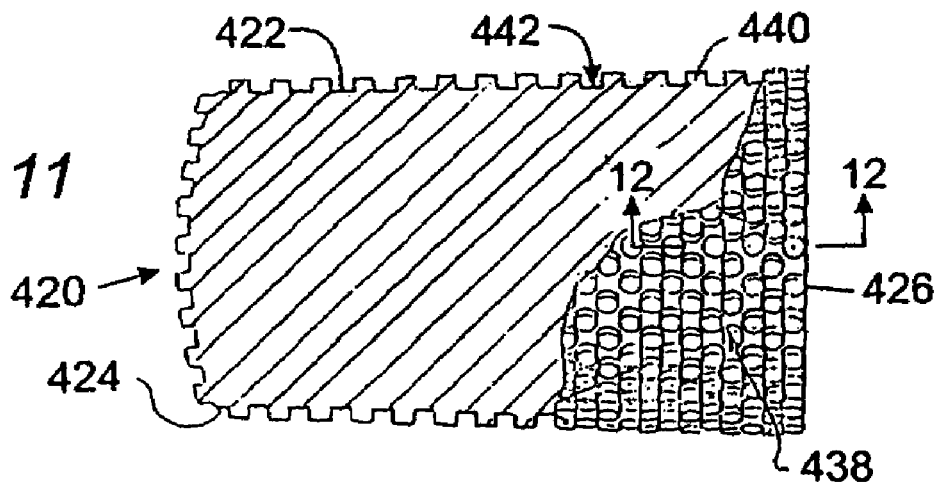
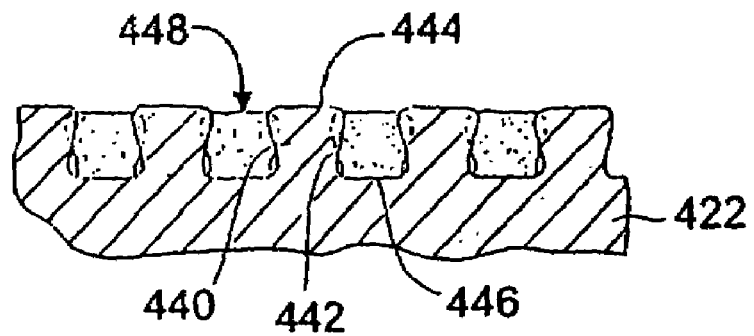


FIG. 12



1

FRUSTO-CONICAL SPINAL IMPLANT

RELATED APPLICATIONS

This application is a continuation application Ser. No. 5
08/484,928, filed Jun. 7, 1995 now U.S. Pat. No. 6,923,810,
which is incorporated herein by reference.

The disclosures of U.S. Pat. Nos. 5,015,247; 5,484,437;
and 6,080,155 are incorporated by reference herein.

BACKGROUND OF THE INVENTION

1. Field of the Invention

The present invention relates generally to interbody spinal
fusion implants, and in particular to spinal fusion implants
configured to restore and maintain two adjacent vertebrae of
the spine in anatomical lordosis.

2. Description of the Related Art

Interbody spinal fusion refers to the method of achieving
bony bridging between adjacent vertebrae through the disc
space, the space between adjacent vertebrae normally occu-
pied by a spinal disc. Numerous implants to facilitate such a
fusion have been described by Cloward, Brantigan, and oth-
ers, and are known to those skilled in the art. Generally,
cylindrical implants offer the advantage of conforming to an
easily prepared recipient bore spanning the disc space and
penetrating into each of the adjacent vertebrae. Such a bore
may be created by use of a drill. It is an anatomical fact that
both the cervical spine and the lumbar spine are normally
lordotic, that is convex forward. Such alignment is important
to the proper functioning of the spine. Commonly, those
conditions which require treatment by spinal fusion are asso-
ciated with a loss of lordosis.

Therefore, there exists a need for spinal fusion implants
that permit for the restoration of anatomical lordosis.

SUMMARY OF THE INVENTION

The present invention is directed to a variety of interbody
spinal fusion implants having at least a partially frusto-coni-
cal configuration to achieve a desired anatomical lordosis of
the spine. In the preferred embodiment, the spinal fusion
implants of the present invention have an outer locus in which
at least some of the points of the implant comprise a partially
or fully frusto-conical shape substantially along those por-
tions of the implant in contact with the adjacent vertebrae of
the spine and have an insertion end and a trailing end. The
spinal fusion implants of the present invention may be further
modified so that while the upper and lower surfaces are por-
tions of a frusto-cone, at least one side portion may be trun-
cated to form a planar surface that is parallel to the central
longitudinal axis of the implant to form straight walls. These
implants may have a more tapered aspect at the insertion end
of the implant to facilitate insertion. The spinal fusion
implants of the present invention may be relatively solid
and/or porous and/or hollow, and may have surface roughen-
ings to promote bone ingrowth and stability.

The spinal fusion implants of the present invention may
have wells extending into the material of the implant from the
surface for the purpose of holding fusion promoting materials
and to provide for areas of bone ingrowth fixation. These
wells, or holes, may pass either into or through the implant
and may or may not intersect. The spinal fusion implants of
the present invention may have at least one chamber which
may be in communication through at least one opening to the
surface of the implant. Said chamber may have at least one
access opening for loading the chamber with fusion promot-

2

ing substances. The access opening may be capable of being
closed with a cap or similar means. Still further, a variety of
surface irregularities may be employed to increase implant
stability and implant surface area, and/or for the purpose of
allowing the spinal fusion implant to be inserted easily but to
resist motion in the opposite direction. The exterior of the
spinal fusion implant of the present invention may have
wholly or in part, a rough finish, knurling, forward facing
ratchetings or other surface irregularities sufficient to achieve
the purpose described.

The spinal fusion implants of the present invention offer
significant advantages over the prior art implants:

1. Because the spinal fusion implants of the present inven-
tion are at least partially frusto-conical in shape, those that
taper from the leading edge to the trailing edge are easy to
introduce and easy to fully insert into the spinal segment to be
fused.

2. The shape of the implants of the present invention is
consistent with the shape of the disc, which the implants at
least in part replace, wherein the front of the disc is normally
taller than the back of the disc, which allows for normal
lordosis. The implants of the present invention are similarly
taller anteriorly than they are posteriorly.

3. The spinal fusion implants of the present invention con-
form to a geometric shape, which shape is readily producible
at the site of fusion, to receive said spinal fusion implants.

The spinal fusion implants of the present invention can be
made of any material appropriate for human implantation and
having the mechanical properties sufficient to be utilized for
the intended purpose of spinal fusion, including various met-
als such as cobalt chrome, stainless steel or titanium including
its alloys, various plastics including those which are bio-
absorbable, and various ceramics or combination sufficient
for the intended purpose. Further, the spinal fusion implants
of the present invention may be made of a solid material, a
mesh-like material, a porous material and/or may comprise,
wholly or in part, materials capable of directly participating in
the spinal fusion process, or be loaded with, composed of,
treated or coated with chemical substances such as bone,
morphogenic proteins, hydroxyapatite in any of its forms, and
osteogenic proteins, to make them bioactive for the purpose
of stimulating spinal fusion. The implants of the present
invention may be wholly or in part bioabsorbable.

OBJECTS OF THE PRESENT INVENTION

It is an object of the present invention to provide a spinal
fusion implant that is easily inserted into the spine, having a
tapered leading end;

It is another object of the present invention to provide a
spinal fusion implant that tapers in height from one end to the
other consistent with the taper of a normal spinal disc;

It is yet another object of the present invention to provide a
spinal fusion implant that is capable of maintaining anatomic
alignment and lordosis of two adjacent vertebrae during the
spinal fusion process;

It is still another object of the present invention to provide
a spinal fusion implant that is self stabilizing within the spine;

It is yet another object of the present invention to provide a
spinal fusion implant that is capable of providing stability
between adjacent vertebrae when inserted;

It is still another object of the present invention to provide
a spinal fusion implant that is capable of participating in the
fusion process by containing, being composed of, or being
treated with fusion promoting substances;

3

It is further another object of the present invention to provide a spinal fusion implant that is capable of spacing apart and supporting adjacent vertebrae during the spinal fusion process;

It is still further another object of the present invention to provide a spinal fusion implant that is consistent in use with the preservation of a uniform thickness of the subchondral vertebral bone;

It is another object of the present invention to provide a spinal fusion implant having a shape which conforms to an easily produced complementary bore at the fusion site; and

It is a further object of the present invention to provide a frusto-conical spinal fusion implant which may be placed side by side adjacent to a second identical implant across the same disc space, such that the combined width of the two implants is less than sum of the individual heights of each implant.

These and other objects of the present invention will become apparent from a review of the accompanying drawings and the detailed description of the drawings.

BRIEF DESCRIPTION OF THE DRAWINGS

FIG. 1 is a side elevational view of an embodiment of the spinal fusion implant of the present invention having a frusto-conical body and a surface configuration comprising ratchetings for engaging bone, with wells and channels for bone ingrowth.

FIG. 1A is an enlarged fragmentary view along line 1A of FIG. 1 illustrating the surface configuration of the implant of FIG. 1.

FIG. 2 is a cross sectional view along line 2—2 of the implant of FIG. 1 illustrating the channels and wells of the implant of the present invention.

FIG. 3 is a cross sectional view along line 3—3 of the implant of FIG. 1 illustrating the channels and wells of the implant of the present invention.

FIG. 3A is a side elevational view of an alternative embodiment of the spinal fusion implant of the present invention having a frusto-conical body and a plurality of ratchetings forming a cylindrical external configuration.

FIG. 4 is a side elevational view of an alternative embodiment of the spinal fusion implant of the present invention having truncated sides forming a planar surface parallel to the longitudinal axis of the implant and ratchetings having a radius and height that are not constant.

FIG. 5 is a top plan view of the spinal fusion implant shown in FIG. 4.

FIG. 6 is a side elevational view of an alternative embodiment of the spinal fusion implant of the present invention having a body that is made out of a fibrous mesh-like material that is partially frusto-conical with one side that is truncated shown next to an identical second implant illustrated in hidden line.

FIG. 7 is sectional view along line 7—7 of the implants of FIG. 6.

FIG. 8 is an enlarged fragmentary view along line 8 of FIG. 6 illustrating the surface configuration of the implant of FIG. 6.

FIG. 9 is an enlarged fragmentary view along line 8 of FIG. 6 illustrating an alternative embodiment of the surface configuration of the implant of the present invention made of a cancellous material.

FIG. 10 is a cross sectional view along lines 10—10 of FIG. 9 illustrating the alternative embodiment of the surface configuration of the implant of the present invention made of a cancellous material.

4

FIG. 11 is a side elevational view in partial cut-away of an alternative embodiment of the spinal fusion implant of the present invention having a body that is frusto-conical and a surface configuration comprising a plurality of spaced apart posts.

FIG. 12 is an enlarged fragmentary sectional view along lines 12—12 of FIG. 11 illustrating the surface configuration of the implant of FIG. 11.

DETAILED DESCRIPTION OF THE DRAWINGS

Referring to FIG. 1, an embodiment of the spinal fusion implant of the present invention is shown and generally referred to by the numeral 220. The implant 220 has a frusto-conical body 222 and an outer locus that is generally frusto-conical substantially along the portion of the implant 220 that is in contact with the adjacent vertebrae of the spine. The implant 220 has a surface configuration of forward facing ratchetings 240 suitable for engaging the bone of the adjacent vertebrae. Each of the plurality of ratchetings 240 has a bone engaging edge 242 and ramped portion 244. The ratchetings 240 have a radius R_4 measured from the central longitudinal axis L_4 of the implant 220 that increases from the insertion end 224 to the trailing end 226. The height of the ratchetings 240 measured from the body 222 is constant throughout the length of implant 220.

The orientation of the ratchetings 240 makes the insertion of the implant 220 easier than its removal, as the ramped portions 244 act as an inclined plane on the way in, while the bone engaging edges 242 resist motion in the opposite directions. These forward facing ratchetings 240 tend to urge the implant 220 forward until the unremoved bone of the vertebrae blocks further motion resulting in a very stable spine and implant construct.

The implant 220 has a recessed slot 234 at its trailing end 226 for receiving and engaging insertion instrumentation for inserting the implant 220. The recessed slot 234 has a threaded opening 236 for threadably attaching the implant 220 to instrumentation used for inserting the implant 220.

In the preferred embodiment, the bone engaging edges 242 of the ratchetings 240 have a height at a highest point measured from the body 222 (root diameter) of the implant 220 in the range of 0.25-2.0 mm, with the preferred height being 0.4 mm for use in the cervical spine and 1.25 mm for use in the lumbar spine.

Referring to FIGS. 2 and 3, cross sectional views of implant 220 are shown. The implant 220 has channels 250 passing through the implant 220 and wells 260 formed in the surface of the implant 220. The wells 260 may or may not communicate with the channels 250. In the preferred embodiment of implant 220, the channels 250 have a diameter in the range of 0.1 mm to 6 mm, with 2-3 mm being the preferred diameter. The wells 260 have a diameter in the range of 0.1 mm to 6 mm, with 1-3 mm being the preferred diameter range. It is appreciated that although the channels 250 and wells 260 are shown having a generally rounded configuration, it is within the scope of the present invention that the channels 250 and wells 260 may have any size, shape, configuration, and distribution suitable for the intended purpose.

Referring to FIG. 1A, the implant 220 has an outer surface 238 that is porous to present an irregular surface to the bone to promote bone ingrowth. The outer surface 238 is also able to hold fusion promoting materials and provides for an increased surface area to engage the bone in the fusion process and to provide further stability. It is appreciated that the outer surface 238, and/or the entire implant 220, may comprise any other porous material or roughened surface suffi-

cient to hold fusion promoting substances and/or allow for bone ingrowth and/or engage the bone during the fusion process. The implant **220** may be further coated with bioactive fusion promoting substances including, but not limited to, hydroxyapatite compounds, osteogenic proteins and bone morphogenic proteins. The implant **220** is shown as being solid, however it is appreciated that it can be made to be substantially hollow or hollow in part.

While the implant **220** is shown as being solid, it is appreciated that the implant **220** can be hollow at least in part to provide an internal chamber for holding bone or any fusion promoting material. Such an implant could have openings to allow bone external to the implant to grow into the internal chamber. Such structure is disclosed in detail in application Ser. No. 08/390,131, now U.S. Pat. No. 5,593,409, and application Ser. No. 08/074,781, now U.S. Pat. No. 5,484,437, both of which are incorporated herein by reference.

Referring to FIG. 3A, an alternative embodiment of the implant **220** is shown and generally referred to by the numeral **220'**. The implant **220'** is similar in configuration to implant **220** except that the body **222'** of the implant is frusto-conical in configuration and the ratchetings **240'** have a radius R_3 measured from the longitudinal central axis L_4 that is constant in size from the insertion end **224'** to the trailing end **226'**. The ratchetings **240'** each have a height measured from the body **222'** that is not constant throughout the length of the implant **220'** and decreases from the insertion end **224'** to the trailing end **226'**. In this manner, the ratchetings **240'** form an external configuration of the implant **220'** that is substantially cylindrical in shape, while the body **222'** is frusto-conical. The insertion end of implant **220'** may have a tapered portion **223'** of lesser diameter to facilitate insertion of the implant **220'**. The insertion end of the implant may also be larger than the trailing end where so desired.

Referring to FIGS. 4 and 5, an alternative embodiment of the implant **220** is shown and generally referred to by the numeral **220"**. The implant **220"** is similar in configuration to implant **220** and has ratchetings **240"** having a radius R_5 measured from the longitudinal central axis L_5 that increases in size from the insertion end **224"** to the trailing end **226"**. The ratchetings **240"** each have a height measured from the body **222"** that is not constant throughout the length of the implant **220"**. In the preferred embodiment, the ratchet radius R_5 and the ratchet height increase in size from the insertion end **224"** to the trailing end **226"**.

As shown in FIG. 5, the implant **220"** has truncated sides **270** and **272** forming two planar surfaces which are diametrically opposite and are parallel to the longitudinal axis L_5 . In this manner, two implants **220"** may be placed side by side with one of the sides **270** or **272** of each implant touching, such that the area of contact with the bone of the adjacent vertebrae and the ratchetings **240"** is maximized. Alternatively, the implant **220"** may have one truncated side.

Referring to FIGS. 6-8, an alternative embodiment of the spinal fusion implant of the present invention is shown and generally referred to by the numeral **320a**. The implant **320a** is shown placed next to a second identical implant **320b** shown in hidden line. The implant **320a** has a body **322** that is made of a mesh-like material comprising strands, which may be made of metal, that are pressed together and molded into a partially frusto-conical configuration substantially along the portion of the implant **320a** in contact with the adjacent vertebrae of the spine. The implant **320a** has an insertion end **324** and a trailing end **326** and may be made wholly or in part of a solid material and/or a porous material, and/or a mesh-like material. The implant **320a** may have a surface comprising of a porous material, a mesh-like material, or have a

surface that is roughened. It is appreciated that the implant **320a** may be solid or may be partially hollow and include at least one internal chamber. As shown in FIG. 8, the mesh-like material comprises strands that are formed and pressed together such that interstices **339**, capable of retaining fusion promoting material and for allowing for bone ingrowth, are present between the strands in at least the outer surface **338** of implant **320a**.

Referring to FIGS. 9 and 10, alternatively the implant may be made of a cancellous material **350**, similar in configuration to human cancellous bone, having interstices **352** such that the outer surface has a configuration as shown in FIGS. 9 and 10. As the implant may be made entirely or in part of the cancellous material **350**, the interstices **352** may be present in the outer surface and/or within the entire implant to promote bone ingrowth and hold bone fusion promoting materials.

Referring again to FIG. 7, the implant **320a** is partially frusto-conical, similar in shape to implant **220** but having at least one truncated side **340** that forms a planar surface parallel to the central longitudinal axis of implant **320a**. The truncated side **340** allows for the placement of two implants **320a** and **320b** closer together when placed side by side between two adjacent vertebrae as set forth in U.S. patent application Ser. No. 08/390,131, now U.S. Pat. No. 5,593,409, incorporated herein by reference. Implant **320a** may be partially threaded or may otherwise resemble any of the other embodiments herein described or that are functionally equivalent.

Referring to FIG. 11, a side elevational view in partial cut-away of an alternative embodiment of the implant of the present invention is shown and generally referred to by the numeral **420**. The implant **420** has a body **422** that is frusto-conical in shape substantially along the portion of the implant **420** that is in contact with the adjacent vertebrae of the spine and has an insertion end **424** and a trailing end **426**. The implant **420** has an outer surface **438** that is capable of receiving and holding bone, or other materials capable of participating in the fusion process and/or capable of promoting bone ingrowth. In the preferred embodiment, the surface **438** comprises a plurality of posts **440** that are spaced apart to provide a plurality of interstices **442** which are partial wells with incomplete walls capable of holding and retaining milled bone material or any artificial bone ingrowth promoting material. The implant **420** may be prepared for implantation by grouting or otherwise coating the surface **438** with the appropriate fusion promoting substances.

Referring to FIG. 12, an enlarged view of the surface **438** of implant **420** is shown. In the preferred embodiment, the posts **440** have a head portion **444** of a larger diameter than the remainder of the posts **440**, and each of the interstices **442** is the reverse configuration of the posts **444**, having a bottom **446** that is wider than the entrance **448** to the interstices **442**. Such a configuration of the posts **440** and interstices **442** aids in the retention of bone material in the surface **438** of the implant **420** and further assists in the locking of the implant **420** into the bone fusion mass created from the bone ingrowth. As the bone ingrowth at the bottom **446** of the interstices **442** is wider than the entrance **448**, the bone ingrowth cannot exit from the entrance **448** and is locked within the interstice **442**. The surface **438** of the implant **420** provides for an improvement in the available amount of surface area which may be still further increased by rough finishing, flocking or otherwise producing a non-smooth surface.

In the preferred embodiment, the posts **440** have a maximum diameter in the range of approximately 0.1-2 mm and a height of approximately 0.1-2 mm and are spaced apart a

distance of approximately 0.1-2 mm such that the interstices 442 have a width in the range of approximately 0.1 to 2 mm. The post sizes, shapes, and distributions may be varied within the same implant.

While the present invention has been described in detail with regards to the preferred embodiments, it is appreciated that other variations of the present invention may be devised which do not depart from the inventive concept of the present invention. In particular, it is appreciated that the various teachings described in regards to the specific embodiments herein may be combined in a variety of ways such that the features are not limited to the specific embodiments described above.

Each of the features disclosed in the various embodiments and their functional equivalents may be combined in any combination sufficient to achieve the purposes of the present invention as described herein.

What is claimed is:

1. An interbody spinal fusion implant for insertion across the surgically corrected height of a disc space between two adjacent vertebral bodies of a human spine, said implant comprising:

a leading end for insertion first into the disc space, a trailing end opposite said leading end, and a length between said ends;

opposed upper and lower portions adapted to contact the adjacent vertebral bodies when implanted in the spine, said opposed upper and lower portions of said implant each including at least one opening having a complete perimeter, each of said openings being in communication with one another for permitting for the growth of bone from vertebral body to vertebral body through said implant; and

non-threaded bone engaging projections for engaging said implant to the adjacent vertebral bodies, said bone engaging projections extending from at least a portion of said opposed upper and lower portions, at least two of said bone engaging projections each having a forward facet directed at least in part toward said leading end, each of said forward facets having a slope, the slope of at least one of said forward facets being different from the slope of another of said forward facets of said at least two bone engaging projections, wherein said at least one of said forward facets includes one of said openings, the complete perimeter of said one of said openings being formed within the perimeter of said at least one of said forward facing facets.

2. The implant of claim 1, wherein said implant includes two opposed sides between said upper and lower portions, at least one of said sides being planar along at least a portion of the length.

3. The implant of claim 1, wherein said upper and lower portions form at least a portion of a cylinder.

4. The implant of claim 1, wherein said implant is at least in part bioabsorbable.

5. The implant of claim 1, wherein said bone engaging projections include a plurality of ratchetings.

6. The implant of claim 1, wherein said implant has a hollow interior and an access opening for accessing said hollow interior.

7. The implant of claim 6, wherein said hollow interior is capable of containing fusion promoting material.

8. The implant of claim 6, further comprising a cap for closing said access opening.

9. The implant of claim 1, wherein said trailing end is adapted to engage instrumentation for the insertion of said implant.

10. The implant of claim 1, wherein said implant is configured to be placed in close proximity in a side by side alignment to a second implant, said first and second implants when placed together having a combined overall width that is less than the sum of the individual maximum diameters of each of said first and second implants.

11. The implant of claim 1, wherein said implant has a mid-longitudinal axis and at least one truncated side forming a planar surface parallel to the mid-longitudinal axis.

12. The implant of claim 1, in combination with a fusion promoting material.

13. The implant of claim 12, wherein said fusion promoting material includes at least one of bone, bone morphogenetic protein, hydroxyapatite, hydroxyapatite compounds, and osteogenic proteins.

14. The implant of claim 1, wherein said upper and lower portions are at least in part arcuate.

15. The implant of claim 1, wherein said upper and lower portions are at least in part arcuate from side to side along at least a portion of the length of said implant.

16. The implant of claim 1, wherein said upper and lower portions are angled relative to one another so as to maintain an angulation of the adjacent vertebral bodies relative to one another.

17. The implant of claim 16, wherein said upper and lower portions are at least in part arcuate.

18. The implant of claim 1, wherein said upper and lower portions each include a portion that is an arc of the same circle.

19. The implant of claim 1, wherein said implant has a mid-longitudinal axis passing through said leading and trailing ends, said at least two of said bone engaging projections including a rearward facet directed at least in part toward said trailing end and extending transversely to the mid-longitudinal axis.

20. The implant of claim 1, wherein said at least two of said bone engaging projections include a rearward facet directed at least in part toward said trailing end, said rearward facets having the same slope.

21. The implant of claim 1, wherein said at least two of said bone engaging projections are positioned one in front of another along the length of said implant.

22. The implant of claim 1, wherein said at least two of said bone engaging projections are immediately adjacent one another along the length of said implant.

23. The implant of claim 1, wherein the slope of said forward facets of said at least two of said bone engaging projections decreases from one of said ends toward another of said ends.

24. The implant of claim 1, wherein the slope of said forward facets of said at least two of said bone engaging projections decreases from said leading end toward said trailing end.

25. The implant of claim 1, wherein at least one of said bone engaging projections extends across more than one-half the width of said implant.