



(12) **United States Patent**
Michelson

(10) **Patent No.:** **US 7,115,128 B2**
(45) **Date of Patent:** ***Oct. 3, 2006**

(54) **METHOD FOR FORMING THROUGH A
GUARD AN IMPLANTATION SPACE IN THE
HUMAN SPINE**

(75) Inventor: **Gary Karlin Michelson**, Venice, CA
(US)

(73) Assignee: **SDGI Holdings, Inc.**, Wilmington, DE
(US)

(*) Notice: Subject to any disclaimer, the term of this
patent is extended or adjusted under 35
U.S.C. 154(b) by 436 days.

This patent is subject to a terminal dis-
claimer.

2,243,718 A	5/1941	Moreira	
2,537,070 A	1/1951	Longfellow	
2,543,780 A	3/1951	Hipps et al.	
2,984,241 A	5/1961	Carlson	
3,128,768 A	4/1964	Geistauts	
3,298,372 A	1/1967	Feinberg et al.	
3,426,364 A	2/1969	Lumb	
3,486,505 A	12/1969	Morrison	
3,604,487 A	9/1971	Gilbert	
3,719,186 A	3/1973	Merig, Jr.	
3,834,393 A	9/1974	Goggins	
3,848,601 A *	11/1974	Ma et al.	606/61
3,867,728 A	2/1975	Stubstad et al.	
3,875,595 A *	4/1975	Froning	623/17.12
3,892,232 A	7/1975	Neufeld	
3,905,047 A	9/1975	Long	
4,010,737 A	3/1977	Vilaghy et al.	

(21) Appl. No.: **10/685,776**

(22) Filed: **Oct. 15, 2003**

(65) **Prior Publication Data**
US 2004/0078039 A1 Apr. 22, 2004

Related U.S. Application Data

(60) Continuation of application No. 08/480,684, filed on
Jun. 7, 1995, which is a division of application No.
07/968,240, filed on Oct. 29, 1992, now Pat. No.
5,741,253, which is a continuation of application No.
07/698,674, filed on May 10, 1991, now abandoned,
which is a division of application No. 07/205,935,
filed on Jun. 13, 1988, now Pat. No. 5,015,247.

(51) **Int. Cl.**
A61B 17/56 (2006.01)

(52) **U.S. Cl.** **606/61; 623/17.1**

(58) **Field of Classification Search** **606/60-61;**
623/16.1, 17.1, 17.2

See application file for complete search history.

(56) **References Cited**

U.S. PATENT DOCUMENTS

2,100,319 A 11/1937 Brown et al.

(Continued)

FOREIGN PATENT DOCUMENTS

DE 1961531 7/1970

(Continued)

OTHER PUBLICATIONS

Galibert et al.; Note Preliminaire Sur Le Traitement Des Angiomes
Vertebraux Par Vertebroplastie Acrylique Percutanees (Preliminary
Note on Treatment of Spinal Angiomas by Percutaneous Acrylic
Vertebroplasty; Neurochirurgie); 1987, 33, 166-168.

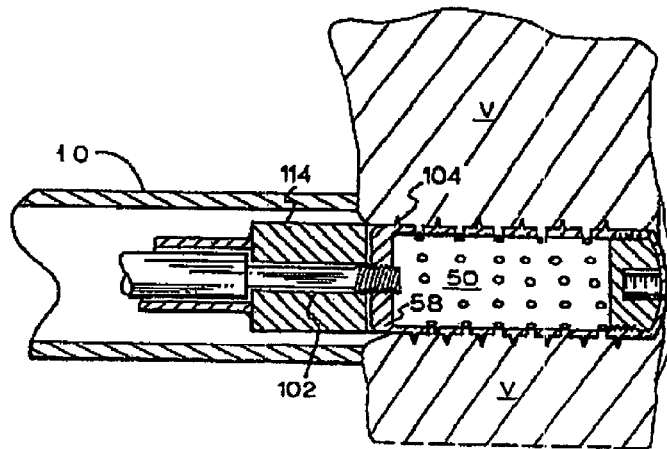
(Continued)

Primary Examiner—Michael A. Brown
(74) *Attorney, Agent, or Firm*—Martin & Ferraro, LLP

(57) **ABSTRACT**

An artificial spinal implant is disclosed which when placed
between two adjacent vertebrae directly participates and is
incorporated in the ensuing fusion. Instrumentation and
procedure is also disclosed.

143 Claims, 7 Drawing Sheets



U.S. PATENT DOCUMENTS

4,016,651 A 4/1977 Kawahara et al.
 4,051,905 A 10/1977 Kleine
 4,059,115 A 11/1977 Jumashev et al.
 4,067,340 A 1/1978 LeNoir
 4,070,514 A 1/1978 Entherly et al.
 4,086,701 A 5/1978 Kawahara et al.
 4,124,026 A 11/1978 Berner et al.
 4,142,517 A 3/1979 Stavropoulos et al.
 4,153,053 A 5/1979 Figallo
 4,175,555 A 11/1979 Herbert
 4,177,524 A 12/1979 Grell et al.
 4,181,457 A 1/1980 Holmes
 D257,511 S 11/1980 Zahn
 4,259,072 A 3/1981 Hirabayashi et al.
 4,262,369 A 4/1981 Roux
 D260,525 S 9/1981 Lassiter
 4,289,123 A 9/1981 Dunn
 4,293,962 A 10/1981 Fuson
 4,309,777 A 1/1982 Patil
 4,313,434 A 2/1982 Segal
 4,328,593 A 5/1982 Sutter et al.
 4,332,036 A 6/1982 Sutter et al.
 4,337,773 A 7/1982 Raftopoulos et al.
 4,341,206 A 7/1982 Perrett et al.
 4,349,921 A 9/1982 Kuntz
 4,356,572 A 11/1982 Guillemin et al.
 4,356,828 A 11/1982 Jamshidi
 4,373,217 A 2/1983 Draenert
 4,401,112 A 8/1983 Rezaian
 4,423,721 A 1/1984 Otte et al.
 4,444,184 A 4/1984 Oretorp
 4,466,429 A 8/1984 Loscher et al.
 4,484,570 A 11/1984 Sutter et al.
 4,488,549 A 12/1984 Lee et al.
 4,494,535 A 1/1985 Haig
 4,497,320 A 2/1985 Nicholson et al.
 4,501,269 A * 2/1985 Bagby 606/61
 RE31,865 E 4/1985 Roux
 4,522,201 A 6/1985 Tongue
 4,545,374 A 10/1985 Jacobson
 4,553,273 A 11/1985 Wu
 4,554,914 A 11/1985 Kapp et al.
 4,570,624 A 2/1986 Wu
 4,589,414 A 5/1986 Yoshida et al.
 4,599,086 A 7/1986 Doty
 4,603,694 A 8/1986 Wheeler
 4,612,053 A 9/1986 Brown et al.
 4,627,434 A 12/1986 Murray
 4,636,217 A 1/1987 Ogilvie et al.
 4,653,486 A 3/1987 Coker
 4,657,550 A 4/1987 Daher
 4,664,567 A 5/1987 Edwards
 4,710,075 A 12/1987 Davison
 4,713,004 A 12/1987 Linkow et al.
 4,714,469 A 12/1987 Kenna
 4,736,738 A 4/1988 Lipovsek et al.
 4,743,256 A 5/1988 Brantigan
 4,743,260 A 5/1988 Burton
 4,761,406 A 8/1988 Flora et al.
 4,763,644 A 8/1988 Webb
 4,790,303 A 12/1988 Steffee
 4,798,213 A 1/1989 Doppelt
 4,805,602 A 2/1989 Puno et al.
 4,820,305 A 4/1989 Harms et al.
 4,834,757 A 5/1989 Brantigan
 4,843,112 A 6/1989 Gerhart et al.
 4,848,327 A 7/1989 Perdue
 4,863,476 A 9/1989 Shepperd
 4,863,477 A 9/1989 Monson
 4,877,020 A 10/1989 Vich
 4,878,915 A * 11/1989 Brantigan 623/17.1

4,904,260 A 2/1990 Ray et al.
 4,904,261 A 2/1990 Dove et al.
 4,905,671 A 3/1990 Senge et al.
 4,936,848 A 6/1990 Bagby
 4,944,744 A 7/1990 Ray
 4,955,908 A 9/1990 Frey et al.
 5,015,247 A 5/1991 Michelson
 5,084,050 A 1/1992 Draenert

FOREIGN PATENT DOCUMENTS

DE 26 21 384 11/1977
 DE 31 01 333 12/1981
 DE 31 32 520 6/1982
 DE 3 219 575 12/1983
 DE 3 414 374 10/1985
 DE 35 05 567 A1 6/1986
 EP 0 077 159 4/1983
 EP 0 260 044 3/1988
 EP 0 307241 3/1989
 EP 0 268 115 4/1989
 ES 283078 5/1985
 FR 2581336 11/1986
 GB 1 050 383 12/1966
 GB 1291470 10/1972
 SU 662 082 5/1979
 SU 1 148 610 7/1985
 SU 1 225 543 4/1986
 WO WO 86/03666 7/1986
 WO WO 88/03781 6/1988

OTHER PUBLICATIONS

Bagby, George W.; Wobbler Syndrome in Horses (the Ataxic Horse); Spokane County Medical Society Bulletin; Spring 1979.
 Albrektsson, T., et al.; Osseointegrated Titanium Implants; Acta. Orthop. Scand.; vol. 52:155-170 (1981).
 Raveh, J., et al.; Neue Rekonstruktionsmöglichkeiten des Unterkiefers bei knöchernen Defekten nach Tumorsektionen; Der Chirurg vol. 53:459-467 (1982).
 DeBowes, R.M., et al.; Study of Bovine . . . Steel Baskets; Transactions of the 29th Annual Meeting; Orthopaedic Research Society, vol. 8, p. 407, Mar. 8-10 (1983).
 Brandt, L., et al.; A Dowel Insert for Anterior Cervical Interbody Fusion; J. Neurosurg. 61:793-794 (Oct. 1984).
 Raveh, J., et al.; Use of the Titanium-coated Hollow Screw and Reconstruction Plate System and Reconstruction Plate System in Bridging of Lower Jaw Defects; J. Oral Maxillofac Surg. 42:281-294 (1984).
 Otero-Vich, Jose M.; Anterior Cervical Interbody Fusion with Threaded Cylindrical Bone; J. Neurosurg 63:750-753 (Nov. 1985).
 Morscher, E., et al.; Die vordere Verplattung der Halswirbelsäule mit dem Hohlschrauben-Plattensystem aus Titanium, *Der Chirurg*, vol. 57, pp. 702-707 (1986) with English Translation.
 Bagby, G.W.; Basket Implant Facilitates Spinal Fusion; Orthopedics Today, vol. 7, No. 10, (Oct. 1987).
 Butts, M. K., et al.; Biochemical Analysis of a New Method for Spinal Interbody Fixation; 1987 Symposium, American Society of Mechanical Engineers, "Advances in Bioengineering", Boston, MA (Dec. 13-18, 1987).
 Crawley et al.; A Modified Cloward's Technique for Arthrodesis of the Normal Metacarpophalangeal Joint in the Horse; Veterinary Surgery, vol. 17, No. 3, pp. 117-127 (1988).
 Raveh, J., et al.; Surgical Procedures for Reconstruction of the Lower Jaw Using the Titanium-Coated Hollow-Screw Reconstruction Plate System: Bridging of Defects; Otolaryngologic Clinics of North America; vol. 20, No. 3 (Aug. 1987).
 Goldthwaite, N., et al.; Toward Percutaneous Spine Fusion; Ch. 45; Lumbar Spine Surgery; C.V. Mosby Company, pp. 512-522 (1987).
 Bagby, G.W.; Arthrodesis by the Distraction-Compression Method Using a Stainless Steel Implant; Orthopedics, vol. II, No. 6, pp. 931-934 (Jun. 1987).

- Itoman, M., et al.; Banked Bone Grafting for Bone Defect Repair—Clinical Evaluation of Bone Union and Graft Incorporation; *J. Jpn. Orthop. Assoc.* 62:461-469 (1988).
- Cloward, Ralph B.; Surgical Techniques for Lumbar Disc Lesions; Codman; Signature Serial 3.
- Cloward, Ralph B.; Ruptured Cervical Intervertebral Discs: Removal of Disc & Osteophytes & Anterior Cervical Interbody Fusion (A.C.I.F.); Codman; Signature Series 4.
- Cloward, Ralph B.; Recent Advances in Surgery of the Cervical Spine; pp. 285-293; German Society For Neurosurgery: vol. 2 Cervical Spine Operations; Excerpta Medica.
- Hutter, Charles George; Spinal Stenosis and Posterior Lumbar Interbody Fusion; pp. 103-114; *Clinical Orthopaedics and Related Research*; No. 193; The Association of Bone and Joint Surgeons.
- Lin, Paul M.; Posterior Lumbar Interbody Fusion; pp. 114-122; Charles C. Thomas; Springfield, Illinois.
- Muller, M.E.; Manual of Internal Fixation: Techniques Recommended by the AO Group; Second Edition, Expanded and Revised; pp. 3-20, 27-41, 53-58, 71-78, 94, 311, 320; Springer-Verlag; 1979.
- Hierholzer, G.; Manual on the AO/ASIF Tubular External Fixator; pp. 85-91; Springer-Verlag; 1985.
- Heim, Urs; Small Fragment Set Manual: Technique Recommended by the ASIF-Group; pp. 5-7, 10, 20, 21, 30; Springer-Verlag; 1974.
- Harmon, Paul H.; Anterior Excision and Vertebral Body Fusion Operation for Intervertebral Disk Syndromes of the Lower Lumbar Spine: Three- to Five-Year Results in 244 Cases; pp. 107-127; *Clinical Orthopaedics and Related Research*, No. 26, J.B. Lippincott Company, 1963.
- Harmon, Paul H.; A Simplified Surgical Technic for Anterior Lumbar Discectomy and Fusion; Avoidance of Complications; Anatomy of the Retroperitoneal Veins; pp. 130-143; *Clinical Orthopaedics and Related Research*, No. 37, J.B. Lippincott Company, 1964.
- Bullough, Peter G.; Atlas of Spinal Diseases; Figure 5.7; J.B. Lippincott Company; 1988.
- Arnold, David M.; State of the Art Reviews: Pedicle Fixation of the Lumbar Spine; pp. 176-200, Hanley & Belfus, Inc., 1992.
- North American Spine Society Second Annual Meeting, Jun. 25-28, 1987.
- Cloward, Ralph B.; The Treatment of Ruptured Lumbar Intervertebral Discs by Vertebral Body Fusion; *J Neurosurg.* 10; pp. 154-167; 1953.
- Morscher, E. et al.; The Anterior Plating of the Cervical Spine with the Titanium Hollow Screw System; *Surgeon* 57; 702-707; 1986.
- White, Arthur H.; Lumbar Spine Surgery; Some Opinions of General Orthopedists and Superspecialists; pp. 11-15; 27; 30; 35-45; 265-268; 1987.
- Olerud, Sven et al.; Transpedicular Fixation of Thoracolumbar Vertebral Fractures; No. 227; Feb. 1988; pp. 44-51.
- Internal Fixation of Thoracic and Lumbar Spine Fractures; Hans Huber Publishers; pp. 11, 39, 44-46, 70-72, and 93.
- Edelund, H.G.; Open Reduction of Central Compression Fractures of the Tibial Plateau, Preliminary Report of a New Method and Device Arrangement; *Acta orthop. scand.* 47, 1976; pp. 686-689.
- Daniaux, H.; Transpedikuläre Reposition und Spongioplastik Bei Wirbelkörperbrüchen Der Unteren Brust- Und Lendenwirbelsäule; *Unfallchirurg* No. 89, Springer-Verlag 1986; pp. 197-213; with translation.
- Nicola, Nikolaus et al.; Vertebral Hemangioma: Retrograde Embolization—Stabilization with Methyl Methacrylate; *Surg Neurol* 1987; No. 27; pp. 481-486.
- Radiological Society of North America; RSNA Scientific Program, 74th Scientific Assembly and Annual Meeting.
- Galibert, P. et al.; Note Préliminaire Sur Le Traitement Des Angiomes Vertébraux Par Vertébroplastie acrylique Percutanée; *Neurochirurgie*; No. 33; 1987; pp. 166-168; with translation.
- Blauth et al.; Therapeutic Concept and Results of Operative Treatment in Acute Trauma of the Thoracic and Lumbar Spine: The Hannover Experience; Raven Press, Ltd, New York; 1987.
- Carlson et al.; The Use of Methylmethacrylate in Repair of Neoplastic Lesions in Bone; *Radiology* 112:43-45; 1974.
- Harrington, Kevin D.; The Use of Methylmethacrylate for Vertebral-Body Replacement and Anterior Stabilization of Pathological Fracture-Dislocations of the Spine due to Metastatic Malignant Disease; *The Journal of Bone and Joint Surgery, Incorporated*; 1981.
- Kennedy, William R.; Fractures of the Tibial Condyles; *Clinical Orthopaedics and Related Research*; No. 134; 1978.
- Malawer et al.; Effect of Cryosurgery and Polymethyl Methacrylate on a Tumor Cavity: Evaluation of Bone Necrosis and Bone Graft Incorporation in a Dog Model; 1988.
- Richter-Turtur et al.; Das Problem der Belastungsstabilität bei pathologischen Frakturen (The Problem of Load Stability in Pathological Fractures); *Akt. Traumatol.* 14 Georg Thieme Verlag Stuttgart—New York; 1984.
- Schatzker, Joseph; Fractures of the Tibial Plateau; text book; 1987.
- Steffee et al.; Reduction and Stabilization of Grade IV Spondylolisthesis; *Clinical Orthopaedics and Related Research*—No. 227; 1988.
- Steffee et al.; Segmental Spine Plates with Pedicle Screw Fixation; *Clinical Orthopaedics and Related Research*; 1986.
- Yuan-zhang et al.; Os Calcis Fracture Treated by Percutaneous Poking Reduction and Internal Fixation; *Chinese Medical Journal*; 1984.

* cited by examiner

FIG. 1A

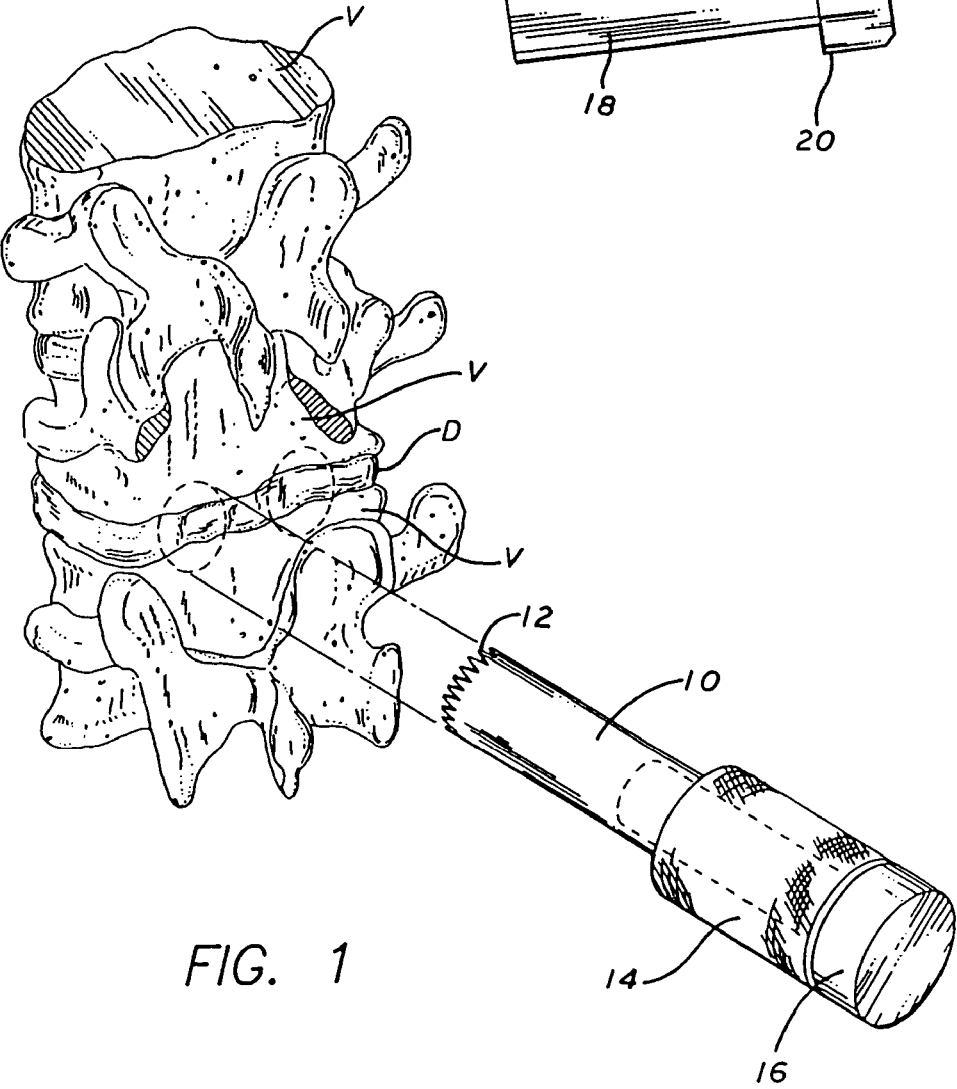
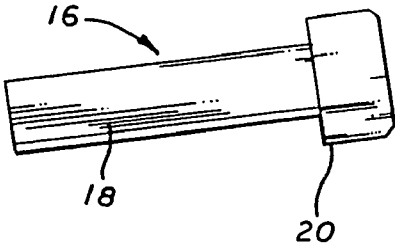
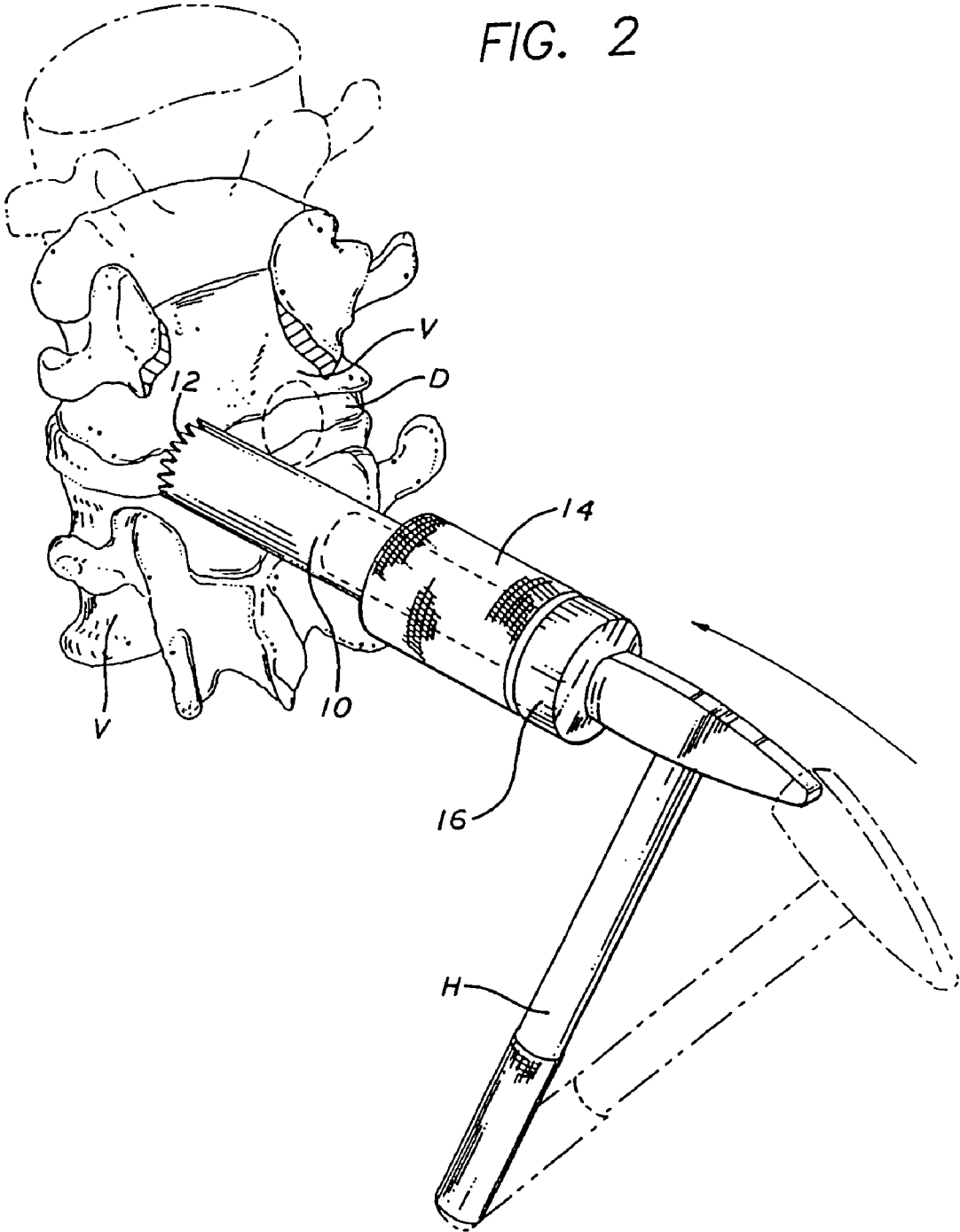
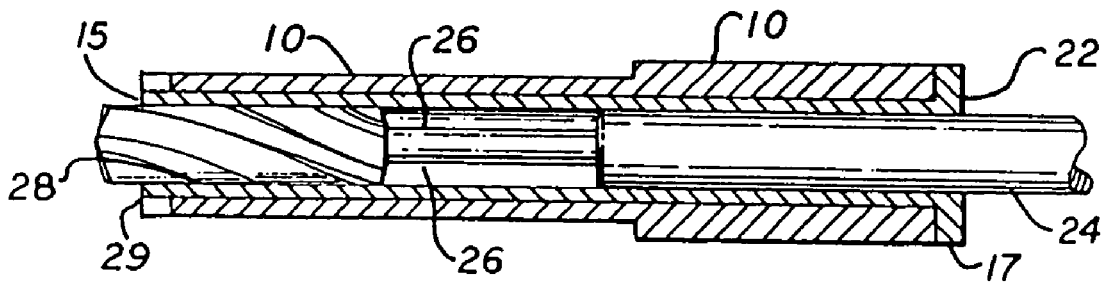
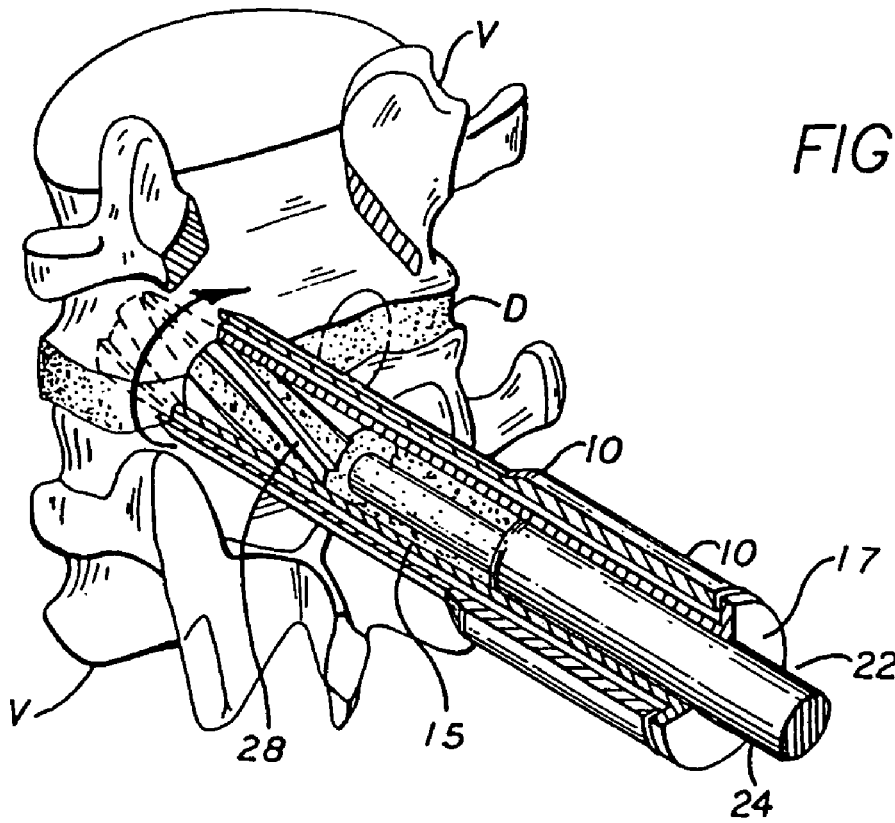
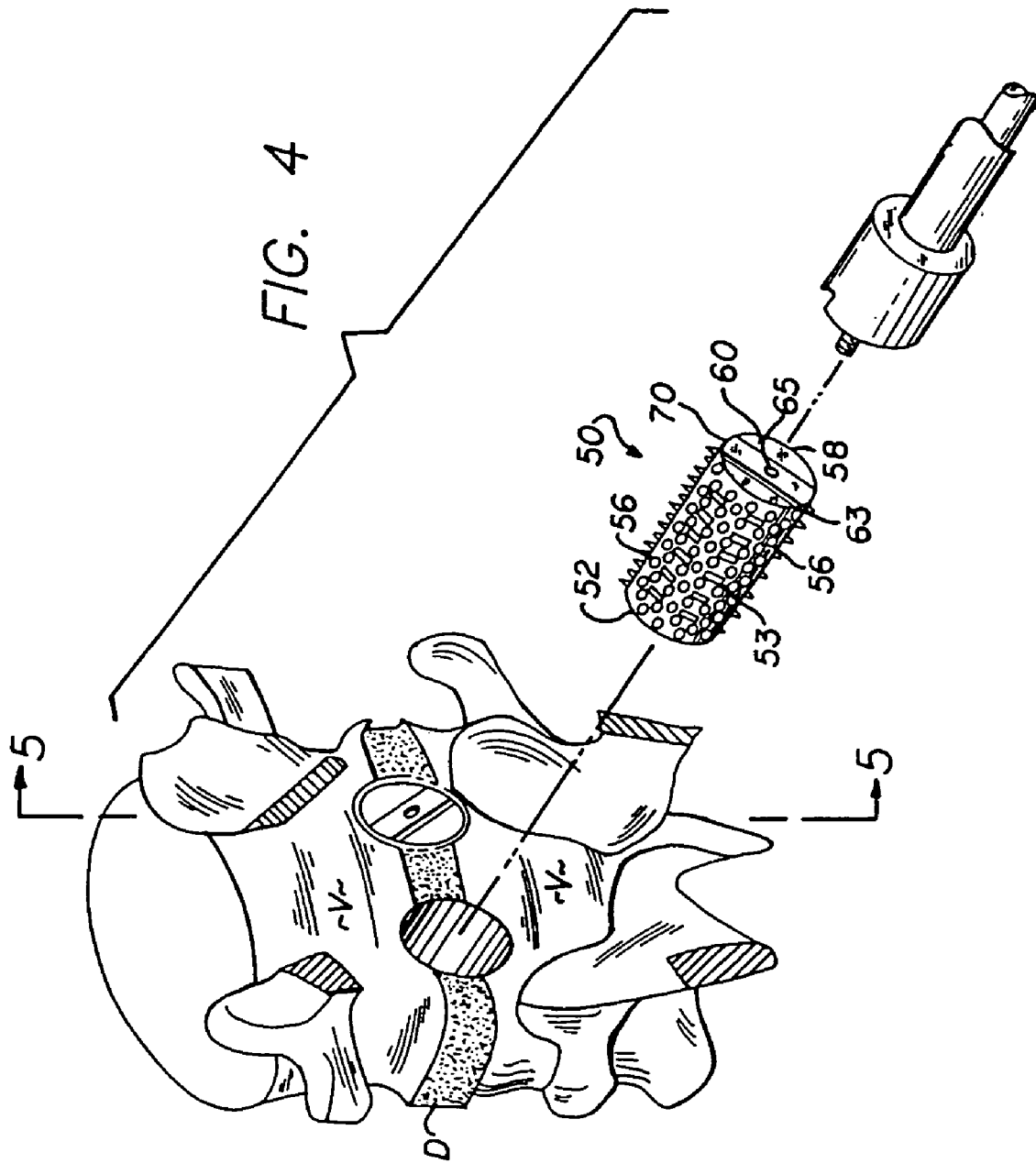


FIG. 1

FIG. 2







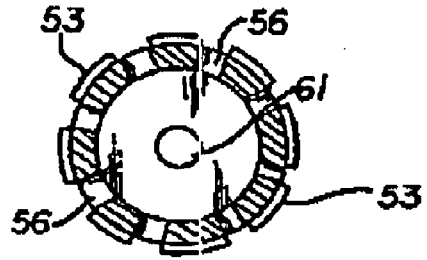
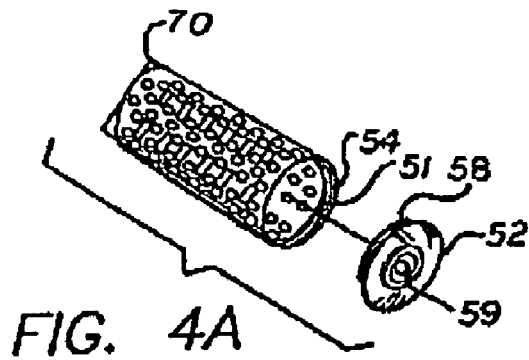
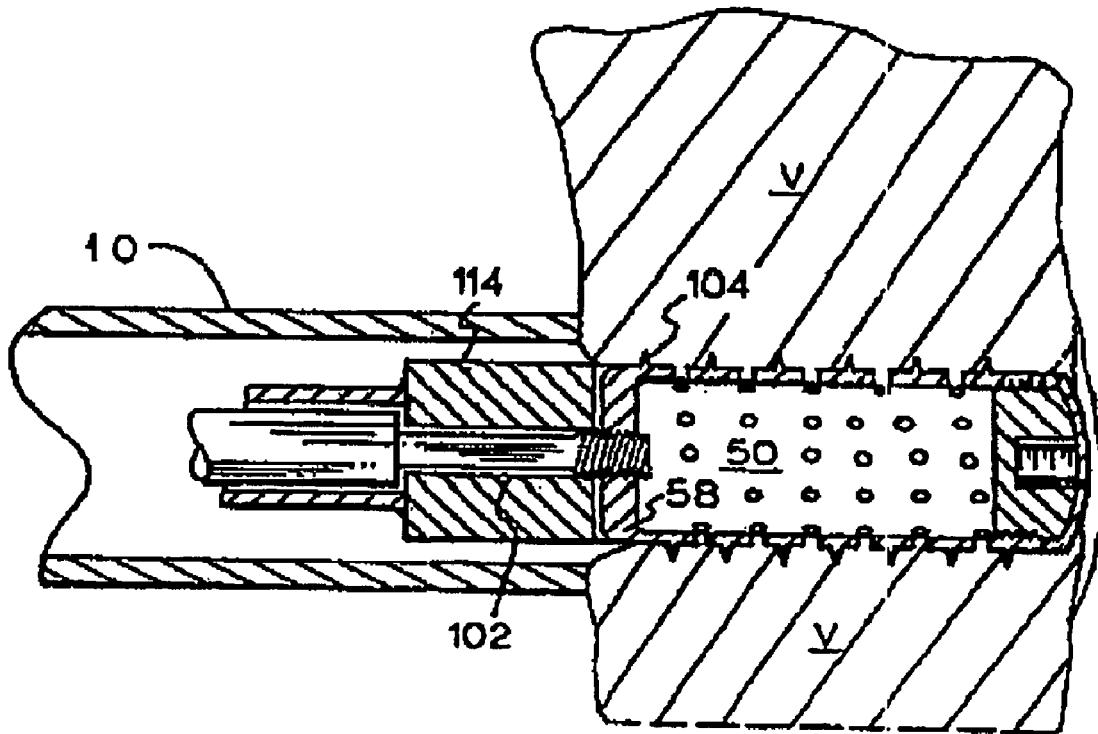
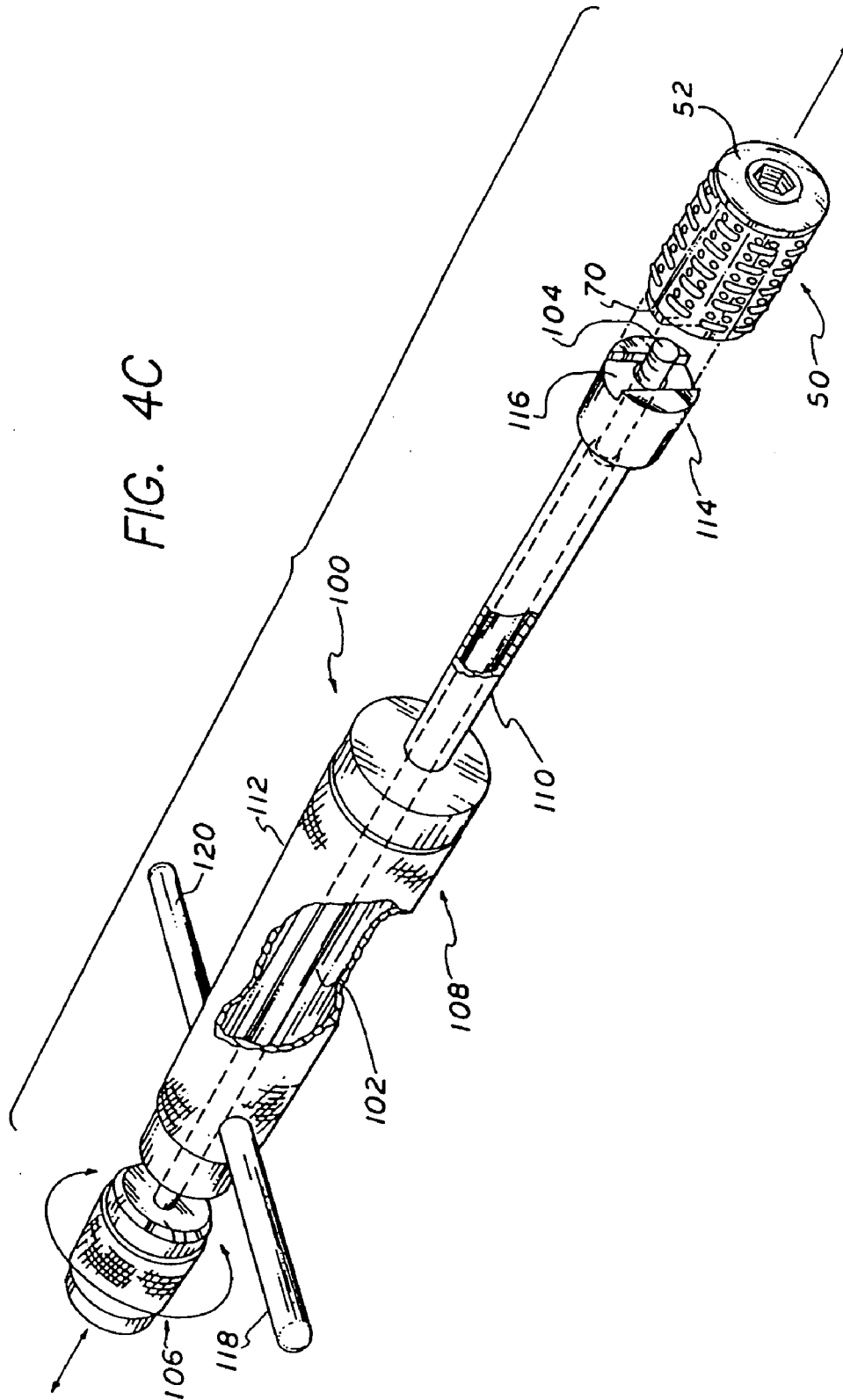


FIG. 4D





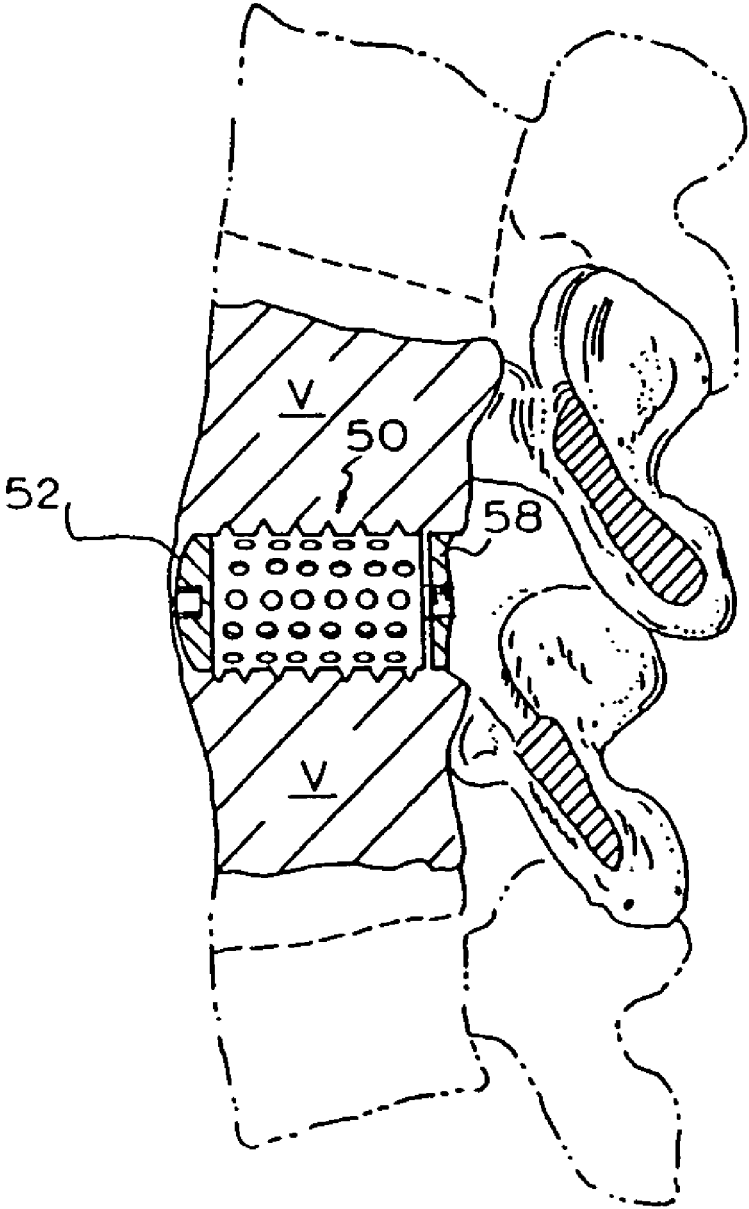


FIG. 5

**METHOD FOR FORMING THROUGH A
GUARD AN IMPLANTATION SPACE IN THE
HUMAN SPINE**

RELATED APPLICATIONS

This application is a continuation of U.S. application Ser. No. 08/480,684, filed Jun. 7, 1995; which is a divisional of application Ser. No. 07/968,240, filed Oct. 29, 1992, now U.S. Pat. No. 5,741,253; which is a continuation of U.S. application Ser. No. 07/698,674, filed May 10, 1991, now abandoned; which is a divisional application of U.S. application Ser. No. 07/205,935, filed Jun. 13, 1988, now U.S. Pat. No. 5,015,247; all of which are incorporated herein by reference.

BACKGROUND OF THE INVENTION

The present invention relates to an artificial fusion implant to be placed into the intervertebral space left after the removal of a damaged spinal disc.

The purpose of the present invention is to provide an implant to be placed within the intervertebral disc space and provide for the permanent elimination of all motion at that location. To do so, the device is space occupying within the disc space, rigid, self-stabilizing to resist dislodgement, stabilizing to the adjacent spinal vertebrae to eliminate local motion, and able to intrinsically participate in a vertebral to vertebra bony fusion so as to assure the permanency of the result.

At present, following the removal of a damaged disc, either bone or nothing is placed into the space left. Placing nothing in the space allows the space to collapse which may result in damage to the nerves; or the space may fill with scar tissue and eventually lead to a reherniation. The use of bone is less than optimal in that the bone obtained from the patient requires additional surgery and is of limited availability in its most useful form, and if obtained elsewhere, lacks living bone cells, carries a significant risk of infection, and is also limited in supply as it is usually obtained from accident victims. Furthermore, regardless of the source of the bone, it is only marginal structurally and lacks a means to either stabilize itself against dislodgement, or to stabilize the adjacent vertebrae.

A review of related prior art will demonstrate the novelty of this present invention.

There have been an extensive number of attempts to develop an acceptable disc prosthesis (an artificial disc). Such devices by design would be used to replace a damaged disc and seek to restore the height of the interspace and to restore the normal motion of that spinal joint. No such device has been found that is medically acceptable. This group of prosthetic or artificial disc replacements, seeking to preserve spinal motion and so are different from the present invention, would include:

U.S. Pat. No. 3,867,728 STUBSTAD—describing a flexible disc implant.

U.S. Pat. No. 4,349,921 KUNTZ—describing a flexible disc replacement with file like surface projections to discourage device dislocation.

U.S. Pat. No. 4,309,777 PATIL—describing a motion preserving implant with spiked outer surfaces to resist dislocation and containing a series of springs to urge the vertebrae away from each other.

U.S. Pat. No. 3,875,595 FRONING—describing a motion preserving bladder-like disc replacement with two opposed stud-like projections to resist dislocation.

U.S. Pat. No. 2,372,622 FASSIO (French)—describing a motion preserving implant comprising complementarily opposed convex and concave surfaces.

In summary then, these devices resemble the present invention only in that they are placed within the intervertebral space following the removal of a damaged disc. In that they seek to preserve spinal motion, they are diametrically different from the present invention which seeks to permanently eliminate all motion at that spinal segment.

A second related area of prior art includes those devices utilized to replace essentially wholly removed vertebra. Such removal is generally necessitated by extensive vertebral fractures, or tumors, and is not associated with the treatment of disc disease. While the present invention is to be placed within the disc space, these other vertebral devices cannot be placed within the disc space as at least one vertebrae has already been removed such that there no longer remains a "disc space." Furthermore, these devices are limited in that they seek to perform as temporary structural members mechanically replacing the removed vertebra (not a removed disc), and do not intrinsically participate in supplying osteogenic material to achieve cross vertebrae bony fusion. Therefore, again unlike the present invention which provides for a source of osteogenesis, use of this group of devices must be accompanied by a further surgery consisting of a bone fusion procedure utilizing conventional technique. This group consisting of vertebral struts rather than disc replacements would include the following:

U.S. Pat. No. 4,553,273 WU—describing a turnbuckle-like vertebral strut.

U.S. Pat. No. 4,401,112 REZAIAN—describing a turnbuckle-like vertebral strut with the addition of a long stabilizing staple that spans the missing vertebral body.

U.S. Pat. No. 4,554,914 KAPP—describing a large distractible spike that elongates with a screw mechanism to span the gap left by the removal of an entire vertebra and to serve as an anchor for acrylic cement which is then used to replace the missing bone (vertebra).

U.S. Pat. No. 4,636,217 OGILVIE—describing a vertebral strut mechanism that can be implanted after at least one vertebra has been removed and which device consists of a mechanism for causing the engagement of screws into the vertebra above and the vertebra below the one removed.

In summary then, this group of devices differs from the present invention in that they are vertebral replacements struts, do not intrinsically participate in the bony fusion, can only be inserted in the limited circumstances where an entire vertebra has been removed from the anterior approach, and are not designed for, or intended to be used for the treatment of disc disease.

A third area of prior art related to the present invention includes all devices designed to be applied to one of the surfaces of the spine. Such devices include all types of plates, struts, and rods which are attached by hooks, wires, and screws. These devices differ significantly from the present invention in that they are not inserted within the disc space, and furthermore do not intrinsically participate in supplying osteogenic material for the fusion.

Therefore, with these devices where permanent spinal immobilization is desired an additional surgery consisting of a spinal fusion performed by conventional means for the use of supplemental methylmethacrylate cement is required. Such devices applied to the spine, but not within the disc space, would include the following:

U.S. Pat. No. 4,604,995 STEPHENS—describing a “U” shaped metal rod attached to the posterior elements of the spine with wires to stabilize the spine over a large number of segments.

U.S. Pat. No. 2,677,369 KNOWLES—describing a metal column device to be placed posteriorly along the lumbar spine to be held in position by its shape alone and to block pressure across the posterior portions of the spinal column by locking the spine in full flexion thereby shifting the maximum weight back onto the patient’s own disc.

Other devices are simply variations on the use of rods (e.g., Harrington Luque, Cotrel-Dubosset, Zielke), wires or cables (Dwyer), plates and screws (Steffee), or struts (Dunn, Knowles).

In summary, none of these devices are designed or can be used within the disc space, do not replace a damaged disc, and do not intrinsically participate in the generation of a bony fusion.

Another area of related prior art to be considered is that of devices designed to be placed within the vertebral interspace following the removal of a damaged disc, and seeking to eliminate further motion at that location.

Such a device is contained in U.S. Pat. No. 4,501,269 BAGBY—describing an implantable device and limited instrumentation. The method employed is as follows: a hole is bored transversely across the joint and then a hollow metal basket of larger diameter than the hole is then pounded into the hole and then filled with the bone debris generated by the drilling.

While the present invention (device, instrumentation, and method) may appear to bear some superficial resemblance to the BAGBY invention, it is minimal, while the differences are many fold and highly significant. These differences include the following:

1. Safety—The present invention provides for a system of completely guarded instrumentation so that all contiguous vital structures (e.g., large blood vessels, neural structures) are absolutely protected. Said instrumentation also makes overpenetration by the drill impossible. Such overpenetration in the cervical spine, for example, would result in the total paralysis or death of the patient. In the thoracic spine, the result would be complete paraplegia. In the lumbar spine, the result would be paraplegia or a life-threatening perforation of the aorta, vena cava, or iliac vessels. The present invention is atraumatically screwed into place while the BAGBY device, in contradistinction, is pounded into position. BAGBY describes that the implant is significantly larger in size than the hole drilled and must be pounded in. This is extremely dangerous and the pounding occurs directly over the spinal cord which is precariously vulnerable to percussive injury. Furthermore, while it is possible, for example in the lumbar spine, to insert the present invention away from the spinal cord and nerves, the BAGBY device must always be pounded directly towards the spinal cord.

Furthermore, since the BAGBY device is pounded into a smooth hole under great resistance, and lacking any specific design features to secure it, the device is highly susceptible to forceful ejection which would result in great danger to the patient and a clinical failure. The present invention, in contradistinction, is securely screwed into place, and possesses highly specialized locking threads to make accidental dislodgement impossible. Because of the proximity of the spinal cord, spinal nerves, and blood vessels, any implant dislodgement as might occur with the BAGBY device might have catastrophic consequences.

2. Broad applicability—The BAGBY device can only be inserted from the front of the vertebral column, however, the present invention can be utilized in the cervical, thoracic, and lumbar spine, and can be inserted from behind (posteriorly) in the lumbar spine. This is of great importance in that the purpose of these devices is in the treatment of disc disease and probably greater than 99 percent of all lumbar operations for the treatment of disc disease are performed from behind where the present invention can easily be utilized, but the BAGBY device, as per his description, cannot.

3. Disc removal—The BAGBY invention requires the complete removal of the disc prior to the drilling step, whereas the present invention eliminates the laborious separate process of disc removal and efficiently removes the disc and prepares the vertebral end plates in a single step.

4. Time required—The present invention saves time over the BAGBY invention in that time is not wasted laboring to remove the disc prior to initiating the fusion. Also, since with the present invention the procedure is performed through a system of guarded instrumentation, time is not wasted constantly placing and replacing various soft tissue retractors throughout the procedure.

5. Implant stability—Dislodgement of the implant would be a major source of device failure (an unsuccessful clinical result), and might result in patient paralysis or even death. As discussed, the BAGBY device lacks any specific means of achieving stability and since it is pounded in against resistance to achieve vertebral distraction, it is susceptible to forceful dislodgement by the tendency of the two distracted vertebrae, to return to their original positions squeezing out the device. The present invention however is screwed into place. As there is no unscrewing force present between the vertebrae and compression alone cannot dislodge the implant, the implant is inherently stable by its design. Furthermore, the threads of the present invention are highly specialized in that they are periodically interrupted such that the tail ends of each of the tabs so formed are blunted and twisted so as to resist accidental unscrewing. The removal of an implant with such “locking threads” requires the use of a special extractor included within the instrumentation. The stability of the present invention is still further enhanced, again in contradistinction to the BAGBY device, by the presence of a “bone ingrowth” surface texturing, which both increases the friction of the fit and allows for the direct growth of the vertebral bone into the casing of the implant itself.

6. Spinal stability—The present invention is not only self-stabilizing, it also provides stability to the adjacent vertebrae in at least three ways that the BAGBY device cannot. First, the BAGBY device is placed transversely across the joint in the center, leaving both vertebrae free to rock back and forth over this round barrel shaped axis, much like a board over a barrel, being used for a seesaw.

Secondly, as the BAGBY device lacks any specific design features to resist sliding, it may actually behave as a third body allowing the translation of the vertebrae relative to the device and to each other.

Thirdly, any device can only provide stability if it remains properly seated. The present invention is inherently stable, and therefore assures that it will stabilize the adjacent vertebrae; rather than, as with the BAGBY device, where the instability of the spine to be treated may instead cause a dislocation of the implant, with further loss of spinal stability.

7. The collapse of the interspace—While both the present invention and the BAGBY device can be fabricated to

5

withstand the compression forces within the interspace, the interspace may nevertheless collapse under the superincumbent body weight as the implant settles into the vertebral bone. This is related to the load per unit area. Again the present invention is superior to the BAGBY device in at least four ways. First, the present invention offers considerably greater surface area to distribute the load. Secondly, while the BAGBY device is placed centrally, the present device is placed bilaterally where the bone tends to be more cortical and much stronger out towards the rim. Thirdly, the present invention supports the load achieving an "I" beam effect, whereas the BAGBY implant does not. Fourthly, it is not pressure alone that causes the collapse of the bone adjacent to the implant, but also bony erosion that is caused by the motion under pressure of the implant against the bone. As discussed in item #6 above, the present invention alone is highly resistant to such motion, again diminishing the likelihood of erosion and interspace collapse.

8. Bone ingrowth surface texturing—The present invention has a surface treatment of known and conventional technology to induce the growth of bone from the vertebrae directly into the casing material of the implant itself. The BAGBY device has no similar feature.

9. Fusion mass—The BAGBY invention calls for removing the disc and then drilling a hole between the adjacent vertebrae. The bony debris so generated is then put into the device. The present invention takes a core of pure bone producing marrow from the iliac crest, and then by use of a special press forcibly injects the device with an extremely dense compressed core of that osteogenic material until the material itself virtually extrudes from every cell of the implant.

10. The probability of achieving fusion—The fusion rate within the spine is known to be related directly to the amount of exposed vascular bone bed area, the quality and quantity of the fusion mass available, and the extent of the stabilization obtained with all other factors being held constant. It would then be anticipated, that the fusion rate would be superior with the present invention as compared to the BAGBY device, because of optimal implant stability (#5), optimal spinal stability (#6), bone ingrowth surface treatment (#8), superior fusion mass (#9), and the greater exposed vertebral bony surface area (#7).

The last area of prior art possibly related to the present invention and therefore, to be considered related to "BONY INGROWTH," and patents either describe methods of producing materials and/or materials or devices to achieve the same. Such patents would include:

U.S. Pat. No. 4,636,526 (DORMAN), U.S. Pat. No. 4,634,720 (DORMAN), U.S. Pat. No. 4,542,539 (ROWE), U.S. Pat. No. 4,405,319 (COSENTINO), U.S. Pat. No. 4,439,152 (SMALL), U.S. Pat. No. 4,168,326 (BROEMER), U.S. Pat. No. 4,535,485 (ASHMAN), U.S. Pat. No. 3,987,499 (SCHARBACH), U.S. Pat. No. 3,605,123 (HAHN), U.S. Pat. No. 4,655,777 (DUNN), U.S. Pat. No. 4,645,503 (LIN), U.S. Pat. No. 4,547,390 (ASHMAN), U.S. Pat. No. 4,608,052 (VAN KAMPEN), U.S. Pat. No. 4,698,375 (DORMAN), U.S. Pat. No. 4,661,536 (DORMAN), U.S. Pat. No. 3,952,334 (BOKROS), U.S. Pat. No. 3,905,047 (LONG), U.S. Pat. No. 4,693,721 (DUCHEYNE), and U.S. Pat. No. 4,070,514 (ENTHERLY).

However, while the present invention would utilize bone ingrowth technology, it would do so with conventional technology.

In summary then, the present invention, instrumentation, and method, alone provides for a one stage discectomy, fusion and interbody internal spinal fixation; that being

6

performed more quickly, with greater safety, and more effectively, for all of the aforementioned reasons, than is possible with any other known art.

BRIEF SUMMARY OF THE INVENTION

The present invention comprises a series of artificial implants, the purpose of which is to participate in, and directly cause bone fusion across an intervertebral space following the excision of a damaged disc. Such implants are structurally load bearing devices, stronger than bone, capable of withstanding the substantial forces generated within the spinal interspace. Such devices have a plurality of macro sized cells and openings, which can be loaded with fusion promoting materials, such as autogenous bone, for the purpose of materially influencing the adjacent vertebrae to form a bony bond to the implants and to each other. The implant casing may be surface textured or otherwise treated by any of a number of known technologies to achieve a "bone ingrowth surface" to further enhance the stability of the implant and to expedite the fusion.

Further, said devices are so configured and designed so as to promote their own stability within the vertebra interspace and to resist being dislodged, and furthermore, to stabilize the adjacent spinal segments.

The apparatus for preparing the vertebrae for insertion of the implant is also disclosed, such instrumentation and method allowing for the rapid and safe removal of the disc, preparation of the vertebrae, performance of the fusion, and internal stabilization of the spinal segment.

DISCUSSION OF THE INSTRUMENTATION

The concept of performing various aspects of this surgery are not entirely new. Drills are frequently placed through hollow, tubular guards to protect the adjacent soft tissues. A set of instruments developed by Ralph Cloward utilizes such a tubular drill guard on a larger scale, for the purpose of drilling into the cervical spine. However, this inventor is unaware of any set of instruments, system, or procedure designed to allow the entire surgical procedure beyond the initial exposure, to be performed blindly and with complete safety through a fixed sheath apparatus. Specific design features which combine to make this uniquely possible are as follows:

1. The availability of the specific implant.
2. The end of all the penetrating instrumentation is blunt faced.
3. All of the instruments have been stopped out at a predetermined depth to avoid overpenetration.
4. The design of the external sheath conforms to the spacial limitations of the specific surgical site.
5. The design and use of a second or inner sheath allows for the difference in size between the inside diameter of the outer sheath, and the outside diameter of the drill itself. This difference being necessary to accommodate the sum of the distraction to be produced, and the depth of the circumferential threading present on the implant.
6. A specially designed drill bit with a central shaft recess allows for the safe collection of the drilling products, which can then be removed without disturbing the outer sheath by removing the drill bit and inner sheath as a single unit.
7. A specially designed trephine for removing a core of bone slightly smaller in diameter than the internal diameter of the implant cavity itself, however of a greater length.

8. A specially designed press for forcefully compressing and injecting the long core of autogenous bone into the implant, such that it extrudes through the implant itself.

9. A specially designed driver extractor, which attaches to the implant and allows the implant to be either inserted or removed without itself dissociating from the implant, except by the deliberate disengagement of the operator.

OBJECTS OF THE PRESENT INVENTION

It is an object of the present invention to provide an improved method of performing a discectomy, a fusion, and an internal stabilization of the spine, and specifically, all three of the above simultaneously and as a single procedure.

It is another object of the present invention to provide an improved method of performing a discectomy, a fusion, and an internal stabilization of the spine, which is both quicker and safer than is possible by previous methods.

It is another object of the present invention to provide an improved method of performing a discectomy, a fusion, and an internal stabilization of the spine, to provide for improved surgical spinal implants.

It is another object of the present invention to provide an improved method of performing a discectomy, a fusion, and an internal stabilization of the spine, which provides for an improved system of surgical instrumentation to facilitate the performance of the combined discectomy, fusion, and internal spinal stabilization.

These and other objects of the present invention will be apparent from review of the following specifications and the accompanying drawings.

BRIEF DESCRIPTION OF THE DRAWINGS

FIG. 1 is a perspective view of the driver and sheath and its orientation to a vertebral structure.

FIG. 1A is a perspective view of the driver member for the outer sheath.

FIG. 2 is a perspective view of the outer sheath being inserted into the vertebrae structure.

FIG. 3 is a perspective view of the outer sheath and inner sheath assembly, with the drill bit of the present invention.

FIG. 3A is a side sectional view of the collar and drill bit of FIG. 3.

FIG. 4 is a perspective view of a cylindrical implant and vertebrae structure.

FIG. 4A is a perspective view of one preferred embodiment of the implant.

FIG. 4B is a cross sectional view of the implant of FIG. 4A.

FIG. 4C is the driving and insertion equipment for the implant of FIG. 4A.

FIG. 4D is a side sectional view of the driver and implant between vertebrae.

FIG. 5 is a sectional view of the vertebrae structure, taken along lines 5—5 of FIG. 4.

DETAILED DESCRIPTION OF THE DRAWINGS

Referring to FIG. 1 a vertebrae structure comprising two vertebrae V and a disc D between the two vertebrae, is shown. A hollow tubular drill sleeve 10 has teeth 12 at its lower end. The sleeve 10 has an enlarged diameter upper portion 14.

A driver 16, shown in FIG. 1A, consists of a solid tubular member 18 and an increased diameter head 20. The external diameter of the solid tubular member 18 is slightly smaller

than the inside diameter of the hollow tubular drill sleeve 10 and has a length that is substantially shorter than the overall length of the hollow tubular drill sleeve 10.

The drill sleeve 10 is made of metal in order to be driven into the vertebrae V and be held in place by the teeth 12 of the drill sleeve 10.

Referring to FIG. 2 the drill sleeve 10 with the driver 16 installed is shown being driven into two vertebrae V on either side of a disc D by hammer H.

Referring to FIGS. 3 and 3A the drill assembly is shown. In FIG. 3 the drill sleeve 10 is illustrated in the two vertebrae V, straddling the disc D.

The retaining sleeve 15 has an outside diameter slightly smaller than the inside diameter of the drill sleeve 10, and a length substantially the same length as the drill sleeve 10. The retaining sleeve 15 has a collar 17 at its upper end for engaging the top of the drill sleeve 10.

The drill 22 comprises an upper portion 24, a central recessed portion 26 and a lower cutting drill portion 28. The upper 24 and lower portion 28 of the drill 22 have the same outside diameter. The drill 24 has a collar 30 attached to the upper portion 24 of the drill 22.

The outside diameter of the drill 22 is slightly smaller than the inside diameter of the retaining sleeve 15. The length of the drill, from the collar 30 to the end of the drill bit, is such that a predetermined portion of the drill bit 22 extends beyond the end 29 of the sleeve when fully inserted.

Referring to FIG. 4, a cylindrical embodiment of the present invention is shown, one implant positioned in the opening in the vertebrae and disc formed by the drill 22, and a second implant shown prior to implantation.

The cylindrical implant 50 comprises a hollow tubular member which in the preferred embodiment is made of an ASTM surgically implantable material, and preferably Titanium. The cylindrical implant 50 is closed at one end 52 and open at the other end 54. The outer cylindrical implant 50 has a series of macro-sized openings 56 through the side walls of the cylindrical member 50. A series of external threads 53 are formed on the circumference of the cylindrical implant 50. The threads 53 are locking threads having a series of interjections, the ends of which are blunted and twisted so as to resist unscrewing.

The open end 54 of the cylindrical implant 50 has an internal thread 51 for receiving a complementary cap 52 which has an external thread 58 for engaging the internal threads 51 of the cylindrical member 50. The cap 52 has a hexagonal opening 59 for use with an Allen wrench for tightening the cap. A driver engaging element 70 is located on the rear surface 60 of the implant. The driving engaging element 70 comprises a raised rectangular portion 63 and a central threaded opening 65, for engaging the driver apparatus, shown in FIG. 4C and FIG. 4D. The driving equipment 100 comprises a central tubular rod 102 having a thread fitting into opening 65 in the implant. An enlarged knurled knob 106 is affixed to the other end of the rod 102 for ease in turning. The central rod 102 is enclosed within a hollow tubular member 108, having a narrow lower portion 110 and an increased diameter upper portion 112. At the end of the lower portion 110 is an attachment member 114, having a generally rectangular depression 116 for complementing the driver engaging element 70 of the implant 50. A pair of handles 118 and 120 extend perpendicular from the upper position 112 of the tubular member 108 to assist in turning the driver 100.

The operation is performed in the following manner: (Example Lumbar Spine Posterior Approach) A skin incision is made directly over the interspace to be operated on. The

dissection is carried down along side of the supraspinous and interspinous ligaments preserving those structures. A semi hemi laminotomy is performed at the upper level, removing sufficient bone to allow access into the interspace. The ligament flavum is removed and then the dural sac is protected by retracting it medially along with the traversing (inferior) nerve root. The superior nerve root or the root exiting beneath the pedicle at the level above is visualized and protected.

At this time the drill sleeve **10** is placed into the spinal canal with both nerve roots directly inspected and protected. The drill sleeve **10** is embedded by teeth **12** spanning the disc space from the midline over and it is seated into the two vertebrae **V** across the disc **D** space by using a driver **20**. Once this is done, the driver **20** is removed and a retaining sleeve **15** is placed through the drill sleeve **10**. Once seated, sleeve **10** provides absolute protection to the dural sac and nerve roots as the remaining surgery is performed entirely through this sleeve.

The inner sleeve allows for the difference between the outside diameter of the drill **22** and the outside diameter of the threads **53** of the cylindrical implant **50**. This then makes it possible to perform the entire operation through the lumen of the embedded outer sleeve despite the differences in diameter between the drill and the implant.

A drill **22** is then placed in the retaining sleeve **17**. The drill **22** is of such a length that it cannot penetrate more than 28 millimeters beyond the end of the drill sleeve **10**. This, of course, could be varied and made smaller for enhanced safety. However, at the present time 27 to 28 millimeters seems to be safe for probably 3 standard deviations of the population. The drill **22** is attached to a power unit and the drilling takes place.

The recessed central area between the reduced portion **26** allows for the accumulation of the debris generated by the drilling. At this time, leaving the outer sleeve firmly embedded, the retaining sleeve **17** is removed with the drill **22** as a single unit. All the vertebrae and disc debris that was generated during the drilling is contained within the recess and against the inside wall of the retaining sleeve **17** and cannot come out within the spinal canal. Once the retaining sleeve **17** and drill **22** is out of the patient's operative field, all of the material so generated can be removed.

The next step is that a screw tap is put down through the drill sleeve **10**. The tap also has a collar on it that will automatically stop the tap from extending beyond 28 millimeters of penetration. The tap itself has a blunt nose that would also avoid any perforation. The tap is then removed. The tap size has deliberately been selected so that its inner root diameter is 1.3 millimeters greater than the outside diameter of the drill **22**. This insures that the interspace will be distracted by at least that much once the implant is placed. The tap has its outside diameter 1.2 millimeters greater than its root diameter. The tap is removed and the space is now prepared to accept the cylindrical implant **50**.

The implant **50** is prepared by utilizing the trephine, a hollow drill, to obtain a core of pure cancellous bone from the patients iliac crest of slightly smaller diameter than the internal diameter of the implant but approximately 6 mm longer. The implant **50** is placed in a press like device like an ammo loader and the bone graft measuring approximately 32 millimeters is then compressed into the hollow body of the implant (26 mm) so that the bone graft fills the opening **54** and extends through the openings **56**. The cap **60** is then screwed on to the implant **50** by use of an Allen driver/wrench, and the device is ready for implantation.

The inserter/remover is such that it locks onto the implant, so that the implant can be moved either clockwise or counter-clockwise, screwed or unscrewed. The implant itself has for its root diameter the same exact root diameter as the tap which as already noted is already 1.3 millimeters greater than the drill and has an outside diameter, 1.5 millimeters greater than its root. This is also 0.3 millimeters greater than the threads cut by the tap so that in inserting the device it is actually cutting through previously uncut bone, helping to insure that it locks in firmly. The threads on the implant **50** are locking threads so that it is easier to screw the device in than for it to be unscrewed. However, with sufficient torque it is possible to extract the device if one so desires. The implant **50** is inserted through the tubular member and into the opening. The tubular member **10** is then removed.

Once the implant has been seated it is able to be inserted only 28 millimeters. Since the implant **50** is only 26 millimeters in length, this virtually guarantees that the implant **50** will be recessed into the vertebral bodies more than 2 millimeters and cannot protrude into the spinal canal.

Similarly, the implants shown in FIG. 4B can be implanted. The implant in FIG. 4B is a modified solid, having extensive channeling throughout, and has no cap. A central opening **61** permits insertion of the bone graft material into the interior of the implant.

These implants have a surface configuration such as to induce bone ingrowth through the implant, and into the wall of the vertebrae in effect inducing fusion from one vertebrae in joint to the other, thereby eventually making the implant itself superfluous as the bone would do the work.

The implant itself, because of its being made of stronger material than bone, would provide structural support to the two vertebrae while awaiting bone ingrowth. Once the bone ingrowth occurred, however, the implant would be firmly and permanently fixed in place.

As shown in FIG. 4, more than one implant is inserted into the disc space, thereby preventing the rocking motion that would result in the difficulties referred to above in the discussion of the Bagby patent.

While the invention has been described with regards to the preferred embodiment, it is recognized that alternative embodiment may be devised which would not depart from the present invention.

What is claimed is:

1. A method for preparing an implantation space in a vertebra of the human spine, the method comprising the steps of:

positioning one end of a hollow guard in contact with at least one vertebra, the one end of the guard having a height;

placing an instrument into the hollow guard, the instrument having a longitudinal axis;

moving the instrument along the longitudinal axis of the instrument to form an opening into the vertebra; and inserting, through the hollow guard and into the opening, an implantation material suitable for human implantation of sufficient strength to support the bone of the vertebra, the implantation material rigidly stabilizing the implantation space occupied by the implantation material, the method being performed without altering the height of the one end of the guard between the forming step and the inserting step.

2. The method of claim 1, wherein the moving step includes the sub-steps of removing the instrument from the guard; and inserting a second instrument through the guard to enlarge the opening.

11

3. The method of claim 1, wherein the moving step includes the sub-step of drilling the vertebra.

4. The method of claim 1, wherein the moving step includes inserting a drill into the guard to access the vertebra with the drill.

5. The method of claim 1, wherein the positioning step includes the step of positioning at least a portion of the hollow guard in the vertebra.

6. The method of claim 1, wherein the inserting step includes inserting the implantation material comprising a fusion-promoting substance.

7. The method of claim 1, further comprising the step of inserting an inner sleeve within the guard.

8. The method of claim 1, wherein the method is performed without removing the hollow guard between the positioning step and the inserting step.

9. The method of claim 1, wherein the inserting step includes the sub-step of inserting an implant having at least upper and lower portions that are arcuate along at least a portion of the length of the implant.

10. The method of claim 9, wherein the inserting step includes the sub-step of inserting the implant further comprising a hollow interior between the upper and lower arcuate portions of the implant for holding bone growth promoting material, each of the upper and lower portions of the implant having at least one opening in communication with the hollow interior to permit bone from the vertebra to grow through the implant.

11. The method of claim 10, further comprising the step of loading the hollow interior of the implant with fusion promoting substances.

12. The method of claim 11, wherein the loading step includes the sub-step of loading the hollow interior of the implant with bone.

13. The method of claim 1, wherein the inserting step includes inserting the implantation material that comprises at least in part of an implantation material other than bone.

14. The method of claim 1, wherein the inserting step includes the sub-step of inserting an implant having the upper and lower portions having at least one protrusion on the upper and lower portions for engaging the vertebra.

15. The method of claim 14, wherein the protrusion is at least a portion of a thread.

16. The method of claim 1, wherein the inserting step includes the sub-step of inserting an implant having a hollow interior and at least one of an insertion end and a trailing end that is open and adapted for loading bone growth promoting substances into the hollow interior.

17. The method of claim 16, further comprising the step of engaging an end cap for closing the open end of the implant.

18. The method of claim 1, wherein the inserting step includes the sub-step of inserting an implant having an insertion end and a trailing end, the trailing end being adapted to cooperatively engage a driver for inserting the implant through the hollow guard and into the opening.

19. The method of claim 1, wherein the positioning step includes the step of engaging the one end of the hollow guard to the vertebra.

20. The method of claim 1, wherein the positioning step includes the sub-step of positioning the guard that is a tubular sleeve that is at least in part hollow.

21. The method of claim 1, wherein the positioning step includes the sub-step of positioning the guard having a length defined by a distal portion and a proximal portion forming the length, the guard having a substantially uniform cross section along its distal portion.

12

22. The method of claim 1, wherein the positioning step includes the sub-step of positioning the guard having a substantially uniform cross section along its length.

23. The method of claim 22, wherein the one end of the guard has a cross sectional configuration substantially the same as the substantially uniform cross section of the guard.

24. The method of claim 1, wherein the positioning step includes the sub-step of positioning the guard having the one end having a circumference that is uninterrupted and constant.

25. The method of claim 24, further comprising projections extending from the uninterrupted and constant circumference of the one end of the guard for engaging the spine.

26. The method of claim 1, wherein the forming step includes the sub-step of forming an opening having arcuate portions.

27. The method of claim 1, wherein the forming step includes the sub-step of forming an opening that is generally cylindrical.

28. The method of claim 1, wherein the positioning step includes the step of positioning the one end of the guard in contact with the vertebra of the posterior lumbar spine.

29. The method of claim 1, further comprising the step of placing pressed biomaterial into the implantation space.

30. The method of claim 1, wherein the material is injectable.

31. The method of claim 30, further comprising the step of injecting the material that is inserted into the implantation space.

32. The method of claim 1, further comprising the step of providing the material to be inserted in the form of an elongated portion having a length and a maximum cross sectional dimension perpendicular to the length.

33. The method of claim 32, further comprising the step of pressing the provided material prior to the step of inserting the material into the implantation space.

34. The method of claim 32, further comprising the step of pressing the provided material to change the shape of the elongated portion to have a lesser length and a greater maximum cross sectional dimension perpendicular to the length.

35. The method of claim 32, wherein the maximum cross sectional dimension perpendicular to the length is round in cross section.

36. The method of claim 32, wherein the length of the elongated portion is at least 32 millimeters.

37. The method of claim 1, wherein the moving step includes the step of rotating the instrument about the longitudinal axis of the instrument to form the opening into the vertebra.

38. A method for preparing a vertebra of the human spine, comprising the steps of:

positioning one end of a guard having a passage onto the vertebra with the passage of the guard overlapping a portion of the vertebra, the one end of the guard having a height;

forming, through the passage of the guard, an opening at least in part into the portion of the vertebra overlapped by the passage of the guard; and

inserting a biomaterial through the passage of the guard and into the opening formed in the vertebra, the method being performed without altering the height of the one end of the guard between the forming step and the inserting step.

39. The method of claim 38, wherein the forming step includes the sub-step of inserting an instrument through the guard to access the bone of the vertebra.

13

40. The method of claim 38, wherein the forming step includes the sub-step of milling the vertebra.

41. The method of claim 38, wherein the forming step includes the sub-step of drilling the vertebra.

42. The method of claim 38, further comprising the step of inserting a drill into the guard to access the vertebra with the drill.

43. The method of claim 38, wherein the biomaterial comprises a fusion-promoting substance.

44. The method of claim 38, wherein the biomaterial comprises bone.

45. The method of claim 38, wherein the positioning step includes the step of positioning at least a portion of the guard in the vertebra.

46. The method of claim 38, further comprising the step of inserting an inner sleeve within the guard.

47. The method of claim 38, wherein the method is performed without removing the guard between the positioning step and the inserting step.

48. The method of claim 38, wherein the forming step includes the sub-step of forming an opening having arcuate portions.

49. The method of claim 38, wherein the forming step includes the sub-step of forming an opening that is generally cylindrical.

50. The method of claim 38, wherein the positioning step includes the step of engaging the one end of the hollow guard to the vertebra.

51. The method of claim 38, wherein the positioning step includes the sub-step of positioning the guard having projections projecting distally from the one end for penetrably engaging the posterior surface of the vertebra.

52. The method of claim 38, wherein the positioning step includes the sub-step of positioning the guard that is a tubular sleeve that is at least in part hollow.

53. The method of claim 38, wherein the positioning step includes the sub-step of positioning the guard having a length defined by a distal portion and a proximal portion forming the length, the guard having a substantially uniform cross section along its distal portion.

54. The method of claim 38, wherein the positioning step includes the sub-step of positioning the guard having a substantially uniform cross section along its length.

55. The method of claim 54, wherein the one end of the guard has a cross sectional configuration substantially the same as the substantially uniform cross section of the guard.

56. The method of claim 38, wherein the positioning step includes the sub-step of positioning the guard having the one end having a circumference that is uninterrupted and constant.

57. The method of claim 56, further comprising projections extending from the uninterrupted and constant circumference of the one end of the guard for engaging the spine.

58. The method of claim 38, wherein the positioning step includes the step of positioning the one end of the guard in contact with the vertebra of the posterior lumbar spine.

59. The method of claim 38, wherein the inserting step includes placing compressed biomaterial into the opening.

60. The method of claim 38, wherein the biomaterial is injectable.

61. The method of claim 60, further comprising the step of injecting the biomaterial that is inserted into the opening.

62. The method of claim 38, further comprising the step of providing the biomaterial to be inserted in the form of an elongated portion having a length and a maximum cross sectional dimension perpendicular to the length.

14

63. The method of claim 62, further comprising the step of pressing the provided biomaterial prior to the step of inserting the biomaterial into the opening.

64. The method of claim 62, further comprising the step of pressing the provided biomaterial to change the shape of the elongated portion to have a lesser length and a greater maximum cross sectional dimension perpendicular to the length.

65. The method of claim 62, wherein the maximum cross sectional dimension perpendicular to the length is round in cross section.

66. The method of claim 62, wherein the length of the elongated portion is at least 32 millimeters.

67. The method of claim 39, wherein the sub-step of inserting an instrument includes the sub-step of rotating the instrument about a longitudinal axis of the instrument to form the opening into the vertebra.

68. A method for internal stabilization of at least a portion of the human spine, the method comprising the steps of:

engaging one end of a hollow tubular member with at least one vertebra of the spine, the one end of the tubular member having a height;

providing a first instrument that extends through the tubular member and beyond the one end of the tubular member;

forming an opening into the vertebra with the first instrument;

removing the first instrument from the tubular member; inserting a second instrument through the tubular member and into the opening;

enlarging the opening with the second instrument; and

inserting, through the hollow tubular member and into the enlarged opening, a material suitable for human implantation of sufficient strength to support the bone of the vertebra, the material rigidly stabilizing at least a portion of the human spine, the method being performed without removing the hollow tubular member from the vertebra between the engaging step and the inserting material step.

69. The method of claim 68, wherein the method is performed without altering the height of the one end of the tubular member between the providing step and the inserting material step.

70. The method of claim 68, wherein the inserting step further comprises inserting a material inserter having a distal end into the hollow tubular member, the material inserter having the material extending beyond the distal end of the material inserter.

71. The method of claim 70, further comprising the step of positioning the material into the enlarged opening beyond the one end of the tubular member.

72. The method of claim 68, further comprising the steps of inserting the first instrument into the tubular member and then extending the first instrument beyond the one end of the tubular member.

73. The method of claim 68, wherein the providing step includes the sub-step of inserting a drill.

74. The method of claim 68, wherein the inserting material step includes inserting the material comprising a biomaterial into the opening through the hollow tubular member.

75. The method of claim 68, wherein the inserting material step includes inserting the material comprising a fusion-promoting substance.

76. The method of claim 68, further comprising the step of inserting an inner sleeve within the tubular member.

15

77. The method of claim 68, wherein the inserting material step includes the sub-step of inserting an implant having at least upper and lower portions that are arcuate along at least a portion of the length of the implant.

78. The method of claim 77, wherein the inserting material step includes the sub-step of inserting the implant further comprising a hollow interior between the upper and lower arcuate portions of the implant for holding bone growth promoting material, each of the upper and lower portions of the implant having at least one opening in communication with the hollow interior to permit bone from the vertebra to grow through the implant.

79. The method of claim 78, further comprising the step of loading the hollow interior of the implant with fusion promoting substances.

80. The method of claim 79, wherein the loading step includes the sub-step of loading the hollow interior of the implant with bone.

81. The method of claim 68, wherein the inserting material step includes inserting the material that comprises at least in part of a material other than bone.

82. The method of claim 68, wherein the inserting material step includes the sub-step of inserting an implant having the upper and lower portions having at least one protrusion on the upper and lower portions for engaging the vertebra.

83. The method of claim 82, wherein the protrusion is at least a portion of a thread.

84. The method of claim 68, wherein the inserting material step includes the sub-step of inserting an implant having a hollow interior and at least one of an insertion end and a trailing end that is open and adapted for loading bone growth promoting substances into the hollow interior.

85. The method of claim 84, further comprising the step of engaging an end cap for closing the open end of the implant.

86. The method of claim 68, wherein the inserting material step includes the sub-step of inserting an implant having an insertion end and a trailing end, the trailing end being adapted to cooperatively engage a driver for inserting the implant through the tubular member and into the opening.

87. The method of claim 68, wherein the engaging step includes the step of positioning at least a portion of the tubular member in the vertebra.

88. The method of claim 68, wherein the engaging step includes the sub-step of engaging the tubular member having a length defined by a distal portion and a proximal portion forming the length, the tubular member having a substantially uniform cross section along its distal portion.

89. The method of claim 68, wherein the engaging step includes the sub-step of engaging the tubular member having a substantially uniform cross section along its length.

90. The method of claim 89, wherein the one end of the tubular member has a cross sectional configuration substantially the same as the substantially uniform cross section of the tubular member.

91. The method of claim 68, wherein the engaging step includes the sub-step of engaging the tubular member having the one end having a circumference that is uninterrupted and constant.

92. The method of claim 91, further comprising projections extending from the uninterrupted and constant circumference of the one end of the tubular member for engaging the spine.

93. The method of claim 68, wherein the step of forming the opening with the first instrument includes the step of forming the opening having arcuate portions.

16

94. The method of claim 93, wherein the forming step includes the sub-step of forming an opening that is generally cylindrical.

95. The method of claim 68, wherein the engaging step includes the step of engaging the one end of the tubular member in contact with the vertebra of the posterior lumbar spine.

96. The method of claim 68, further comprising the step of placing pressed material into the enlarged opening.

97. The method of claim 68, wherein the material is injectable.

98. The method of claim 97, further comprising the step of injecting the material that is inserted into the enlarged opening.

99. The method of claim 68, further comprising the step of providing the material to be inserted in the form of an elongated portion having a length and a maximum cross sectional dimension perpendicular to the length.

100. The method of claim 99, further comprising the step of pressing the provided material prior to the step of inserting the material into the enlarged opening.

101. The method of claim 99, further comprising the step of pressing the provided material to change the shape of the elongated portion to have a lesser length and a greater maximum cross sectional dimension perpendicular to the length.

102. The method of claim 99, wherein the maximum cross sectional dimension perpendicular to the length is round in cross section.

103. The method of claim 99, wherein the length of the elongated portion is at least 32 millimeters.

104. The method of claim 68, wherein the forming step includes the step of rotating the first instrument about a longitudinal axis of the first instrument to form the opening into the vertebra.

105. The method of claim 68, wherein the enlarging step includes the step of rotating the second instrument about a longitudinal axis of the second instrument to enlarge the opening into the vertebra.

106. A method for internal stabilization of at least a portion of the human spine, the method comprising the steps of:

positioning one end of a hollow tubular member in contact with at least one vertebra of the spine, the one end of the tubular member having a height;

providing a first instrument that extends through the tubular member and beyond the one end of the tubular member;

forming an opening into the vertebra with the first instrument;

removing the first instrument from the tubular member; inserting a second instrument through the tubular member and into the opening;

enlarging the opening with the second instrument;

removing the second instrument from the tubular member; and

inserting a material suitable for human implantation into the enlarged opening through the tubular member, the method being performed without removing the hollow tubular member from the vertebra between the positioning step and the inserting material step.

107. The method of claim 106, wherein the method is performed without altering the height of the one end of the tubular member between the providing step and the inserting material step.

108. The method of claim 106, wherein the inserting material step further comprises inserting a material inserter

17

having a distal end into the hollow tubular member, the material inserter having the material extending beyond the distal end of the material inserter.

109. The method of claim 108, further comprising the step of positioning the material into the enlarged opening beyond the one end of the tubular member.

110. The method of claim 106, further comprising the steps of inserting the first instrument into the tubular member and then extending the first instrument beyond the one end of the tubular member.

111. The method of claim 106, wherein the providing step includes the sub-step of inserting a drill.

112. The method of claim 106, wherein the inserting material step includes inserting the material comprising a biomaterial into the opening through the hollow tubular member.

113. The method of claim 106, wherein the inserting material step includes inserting the material comprising a fusion-promoting substance.

114. The method of claim 106, further comprising the step of inserting an inner sleeve within the tubular member.

115. The method of claim 106, wherein the inserting material step includes the sub-step of inserting an implant having at least upper and lower portions that are arcuate along at least a portion of the length of the implant.

116. The method of claim 115, wherein the inserting material step includes the sub-step of inserting the implant further comprising a hollow interior between the upper and lower arcuate portions of the implant for holding bone growth promoting material, each of the upper and lower portions of the implant having at least one opening in communication with the hollow interior to permit bone from the vertebra to grow through the implant.

117. The method of claim 116, further comprising the step of loading the hollow interior of the implant with fusion promoting substances.

118. The method of claim 117, wherein the loading step includes the sub-step of loading the hollow interior of the implant with bone.

119. The method of claim 106, wherein the inserting material step includes inserting the material that comprises at least in part of a material other than bone.

120. The method of claim 106, wherein the inserting material step includes the sub-step of inserting an implant having the upper and lower portions having at least one protrusion on the upper and lower portions for engaging the vertebra.

121. The method of claim 120, wherein the protrusion is at least a portion of a thread.

122. The method of claim 106, wherein the inserting material step includes the sub-step of inserting an implant having a hollow interior and at least one of an insertion end and a trailing end that is open and adapted for loading bone growth promoting substances into the hollow interior.

123. The method of claim 122, further comprising the step of engaging an end cap for closing the open end of the implant.

124. The method of claim 106, wherein the inserting material step includes the sub-step of inserting an implant having an insertion end and a trailing end, the trailing end being adapted to cooperatively engage a driver for inserting the implant through the hollow tubular member and into the opening.

125. The method of claim 106, wherein the positioning step includes the step of engaging the one end of the hollow tubular member to the vertebra.

18

126. The method of claim 106, wherein the positioning step includes the sub-step of positioning the tubular member having a length defined by a distal portion and a proximal portion forming the length, the tubular member having a substantially uniform cross section along its distal portion.

127. The method of claim 106, wherein the positioning step includes the sub-step of positioning the tubular member having a substantially uniform cross section along its length.

128. The method of claim 127, wherein the one end of the tubular member has a cross sectional configuration substantially the same as the substantially uniform cross section of the tubular member.

129. The method of claim 106, wherein the positioning step includes the sub-step of positioning the tubular member having the one end having a circumference that is uninterrupted and constant.

130. The method of claim 129, further comprising projections extending from the uninterrupted and constant circumference of the one end of the tubular member for engaging the spine.

131. The method of claim 106, wherein the step of forming the opening with the first instrument includes the step of forming the opening having arcuate portions.

132. The method of claim 131, wherein the forming step includes the sub-step of forming an opening that is generally cylindrical.

133. The method of claim 106, wherein the positioning step includes the step of positioning the one end of the tubular member in contact with the vertebra of the posterior lumbar spine.

134. The method of claim 106, further comprising the step of placing pressed material into the enlarged opening.

135. The method of claim 106, wherein the material is injectable.

136. The method of claim 135, further comprising the step of injecting the material that is inserted into the enlarged opening.

137. The method of claim 106, further comprising the step of providing the material to be inserted in the form of an elongated portion having a length and a maximum cross sectional dimension perpendicular to the length.

138. The method of claim 137, further comprising the step of pressing the provided material prior to the step of inserting the material into the enlarged opening.

139. The method of claim 137, further comprising the step of pressing the provided material to change the shape of the elongated portion to have a lesser length and a greater maximum cross sectional dimension perpendicular to the length.

140. The method of claim 137, wherein the maximum cross sectional dimension perpendicular to the length is round in cross section.

141. The method of claim 137, wherein the length of the elongated portion is at least 32 millimeters.

142. The method of claim 106, wherein the forming step includes the step of rotating the first instrument about a longitudinal axis of the first instrument to form the opening into the vertebra.

143. The method of claim 106, wherein the enlarging step includes the step of rotating the second instrument about a longitudinal axis of the second instrument to enlarge the opening into the vertebra.