



US006986772B2

(12) **United States Patent**
Michelson

(10) **Patent No.:** **US 6,986,772 B2**
(45) **Date of Patent:** **Jan. 17, 2006**

(54) **DYNAMIC LORDOTIC GUARD WITH MOVABLE EXTENSIONS FOR CREATING AN IMPLANTATION SPACE POSTERIORLY IN THE LUMBAR SPINE**

(76) Inventor: **Gary K. Michelson**, 438 Sherman Canal, Venice, CA (US) 90291

(*) Notice: Subject to any disclaimer, the term of this patent is extended or adjusted under 35 U.S.C. 154(b) by 270 days.

(21) Appl. No.: **10/085,731**

(22) Filed: **Mar. 1, 2002**

(65) **Prior Publication Data**

US 2002/0123753 A1 Sep. 5, 2002

Related U.S. Application Data

(63) Continuation-in-part of application No. 10/061,236, filed on Feb. 4, 2002.

(60) Provisional application No. 60/272,381, filed on Mar. 1, 2001.

(51) **Int. Cl.**
A61B 17/56 (2006.01)

(52) **U.S. Cl.** **606/90**

(58) **Field of Classification Search** ... 623/17.11-17.16; 606/79, 80, 84-86, 90, 99

See application file for complete search history.

(56) **References Cited**

U.S. PATENT DOCUMENTS

3,486,505 A	12/1969	Morrison	
4,545,374 A	10/1985	Jacobson	
5,015,255 A *	5/1991	Kuslich	128/898
5,431,658 A	7/1995	Moskovich	
5,571,109 A *	11/1996	Bertagnoli	606/61
6,494,883 B1	12/2002	Feree	
6,520,967 B1	2/2003	Cauthen	
2002/0111680 A1	8/2002	Michelson	
2003/0023209 A1 *	1/2003	Gruskin et al.	604/290
2003/0135220 A1 *	7/2003	Cauthen	606/87
2003/0229401 A1 *	12/2003	Mansouri et al.	623/23.71
2004/0073309 A1 *	4/2004	Bianchi et al.	623/17.11
2004/0082958 A1	4/2004	Michelson	
2004/0181233 A1	9/2004	Michelson	

* cited by examiner

Primary Examiner—Kevin Shaver

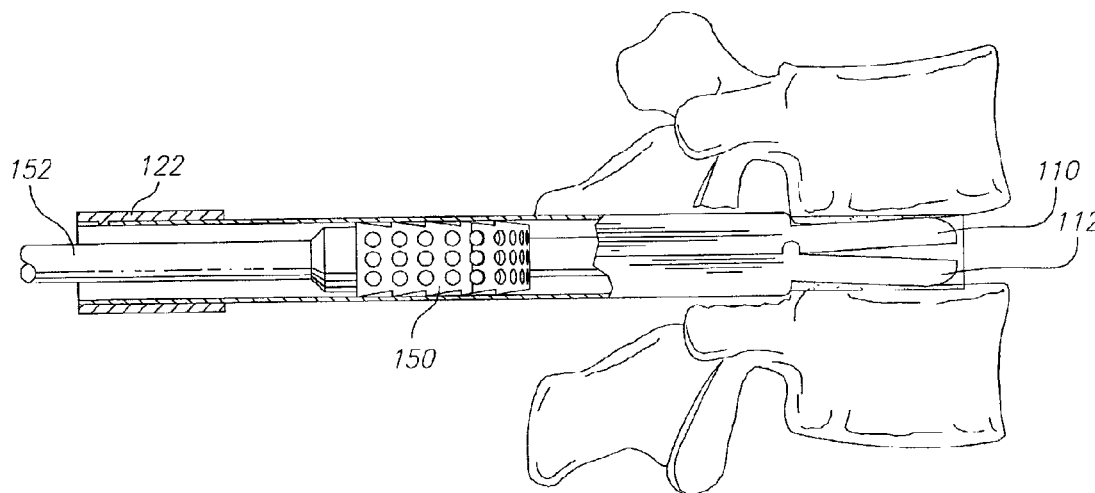
Assistant Examiner—Michael B. Priddy

(74) *Attorney, Agent, or Firm*—Martin & Ferraro, LLP

(57) **ABSTRACT**

A lordotic guard and method for guiding a bone removal device to form an implantation space in the human spine and, if desired, for inserting a spinal implant into the implantation space.

127 Claims, 13 Drawing Sheets



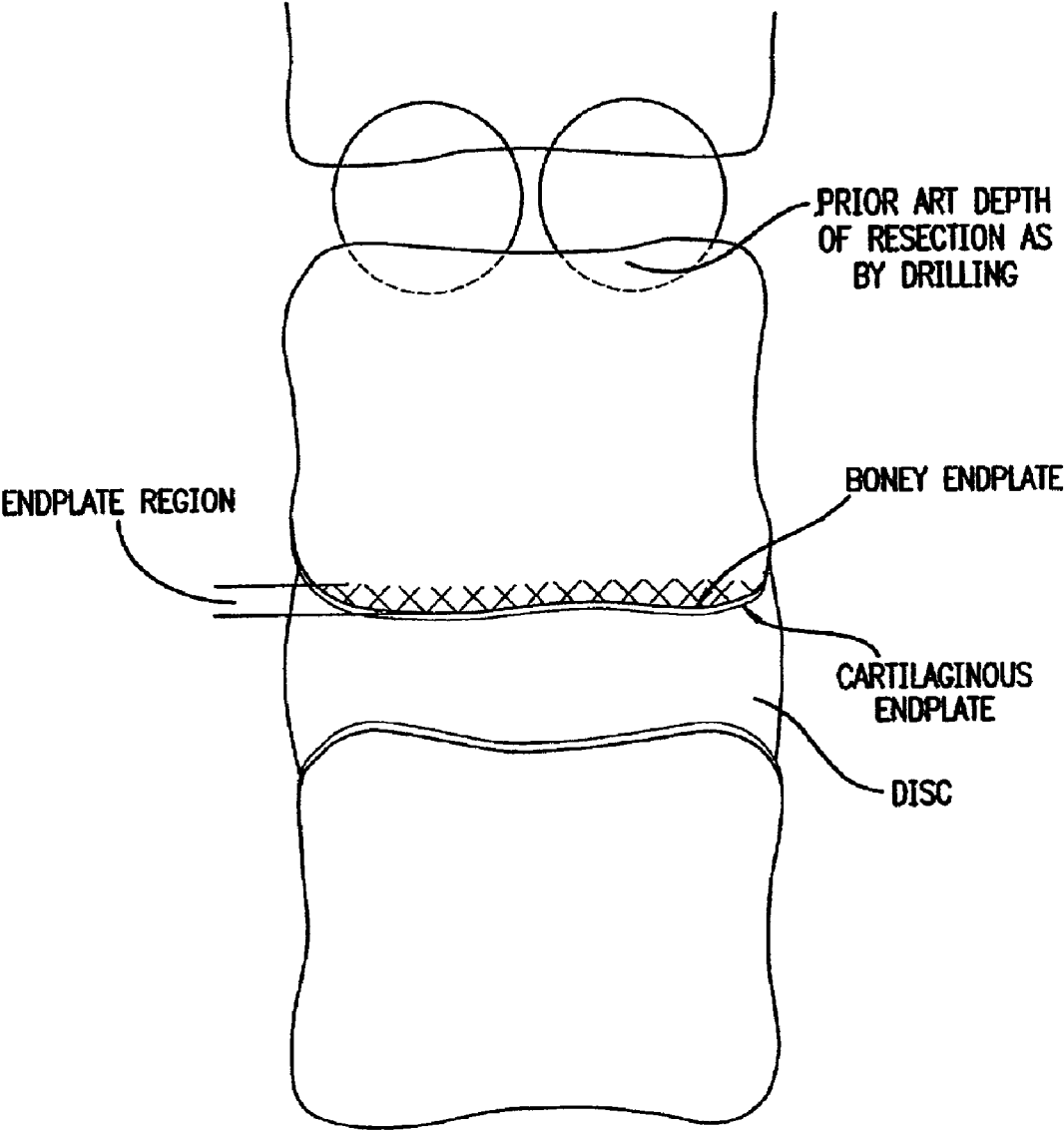
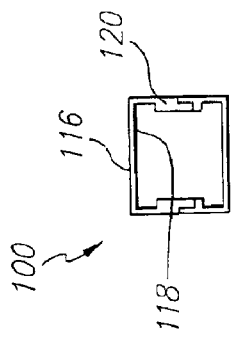
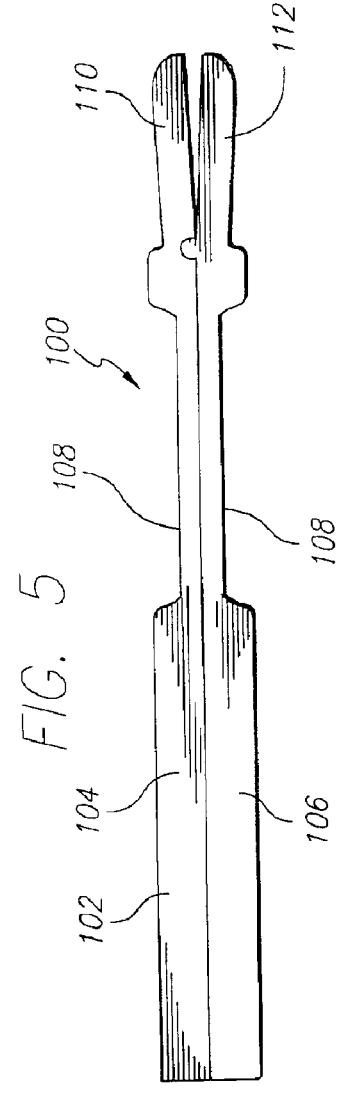
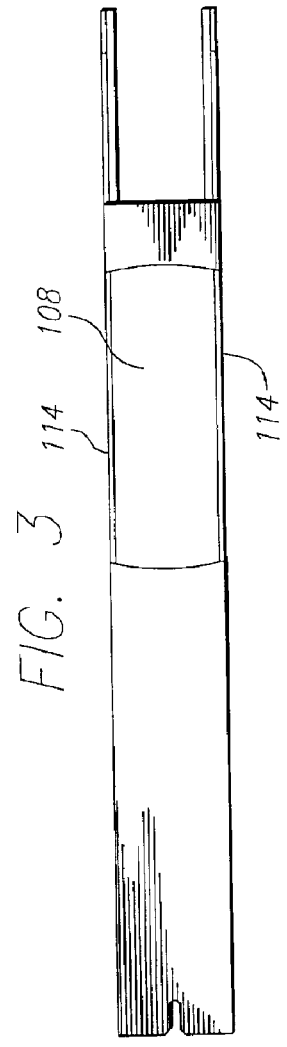
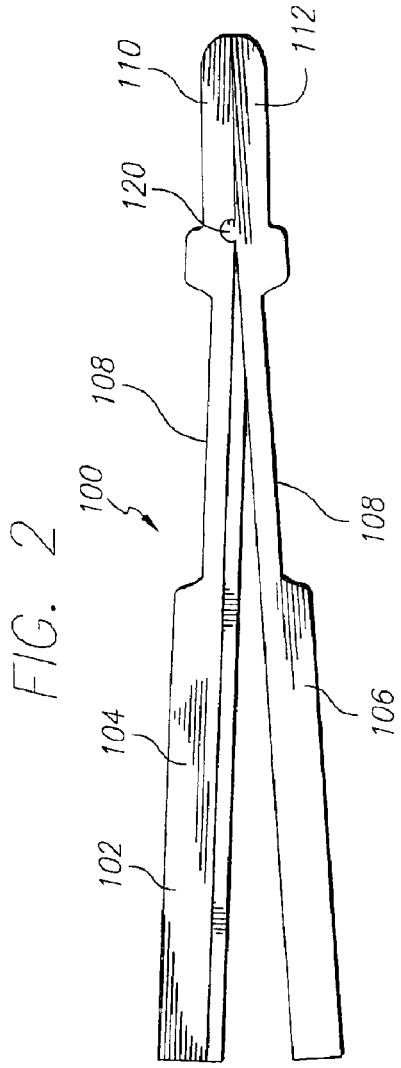


FIG. 1



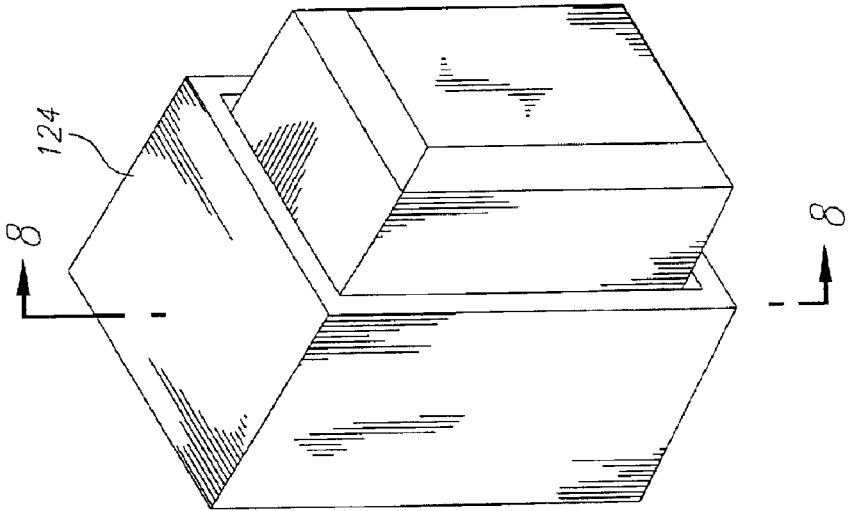


FIG. 7

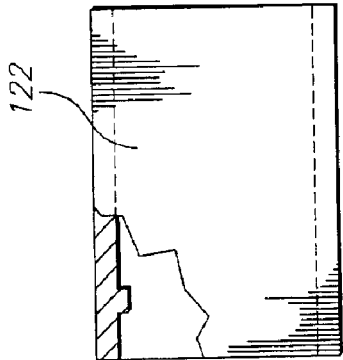


FIG. 6

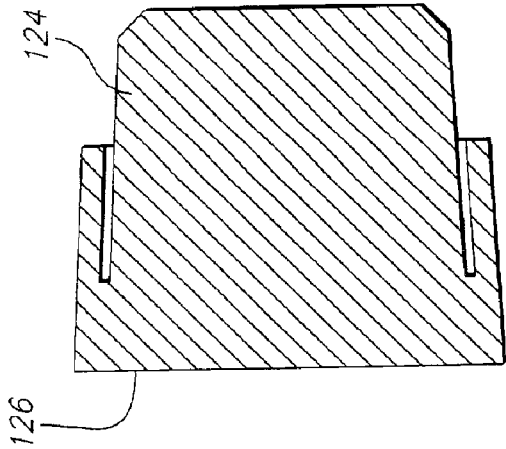
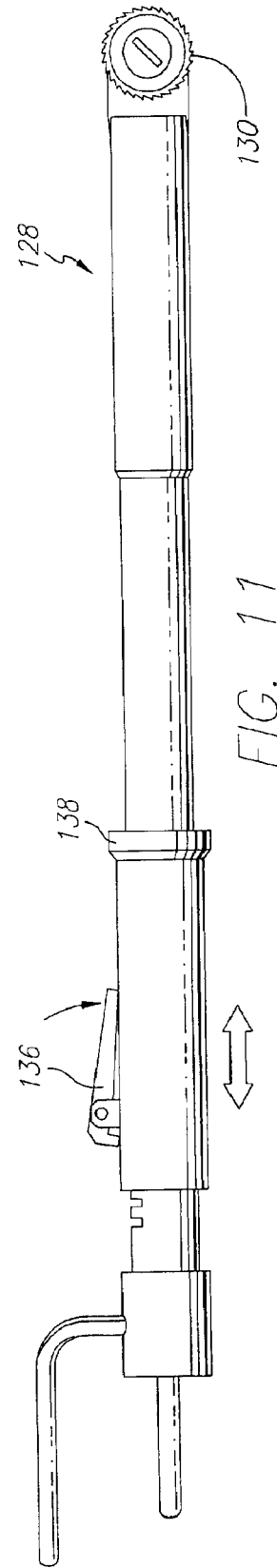
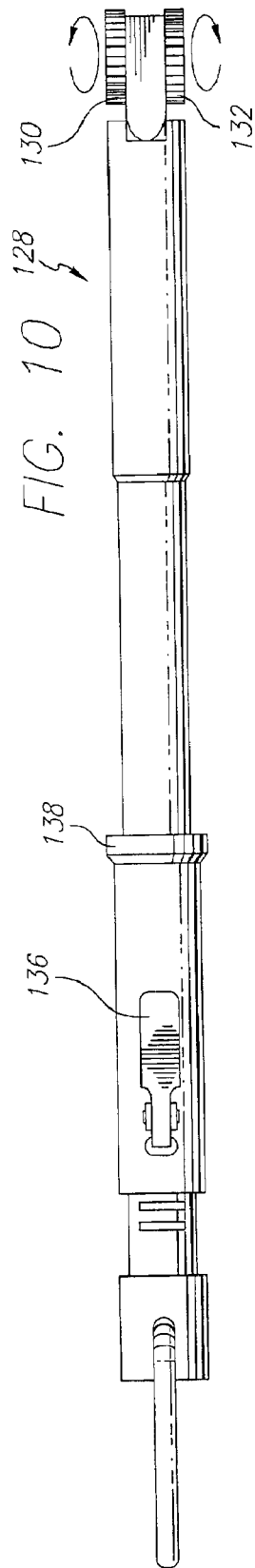
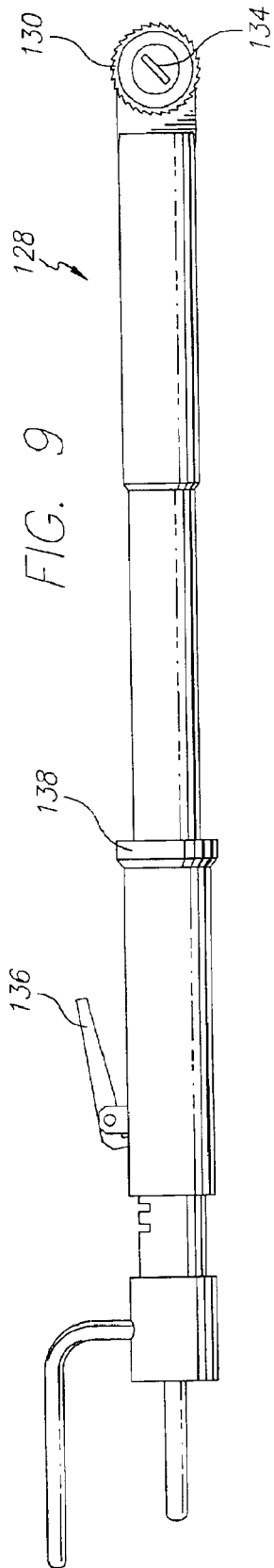


FIG. 8



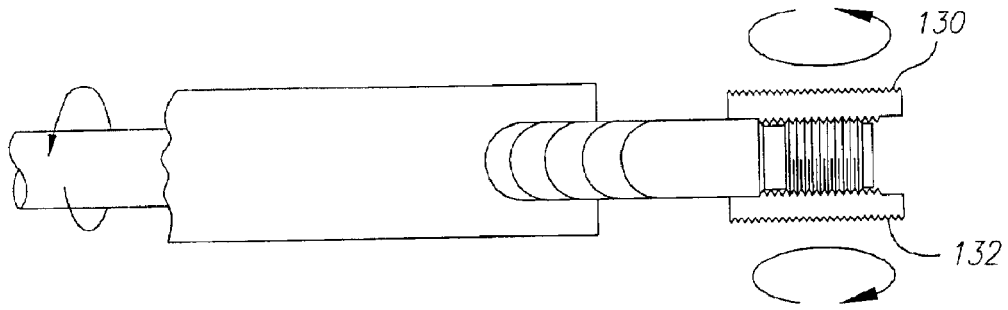


FIG. 12

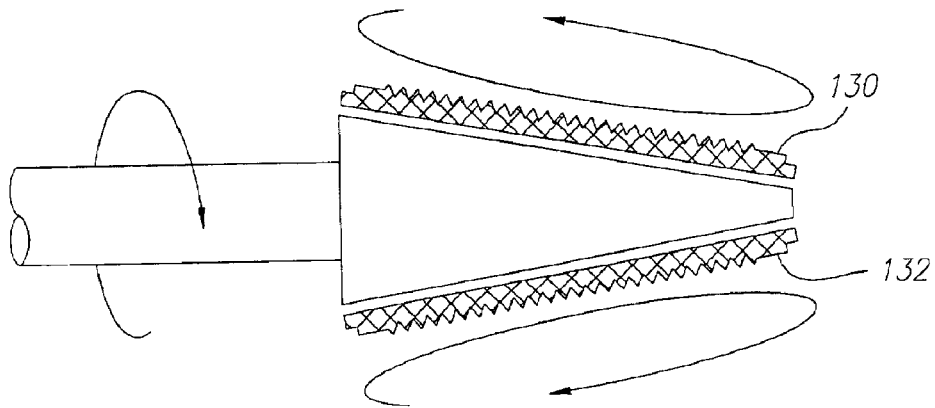


FIG. 13

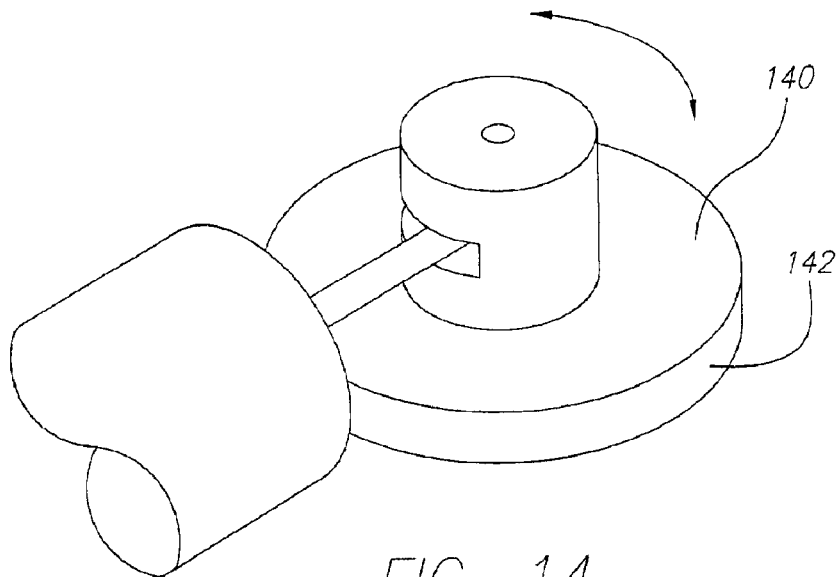


FIG. 14

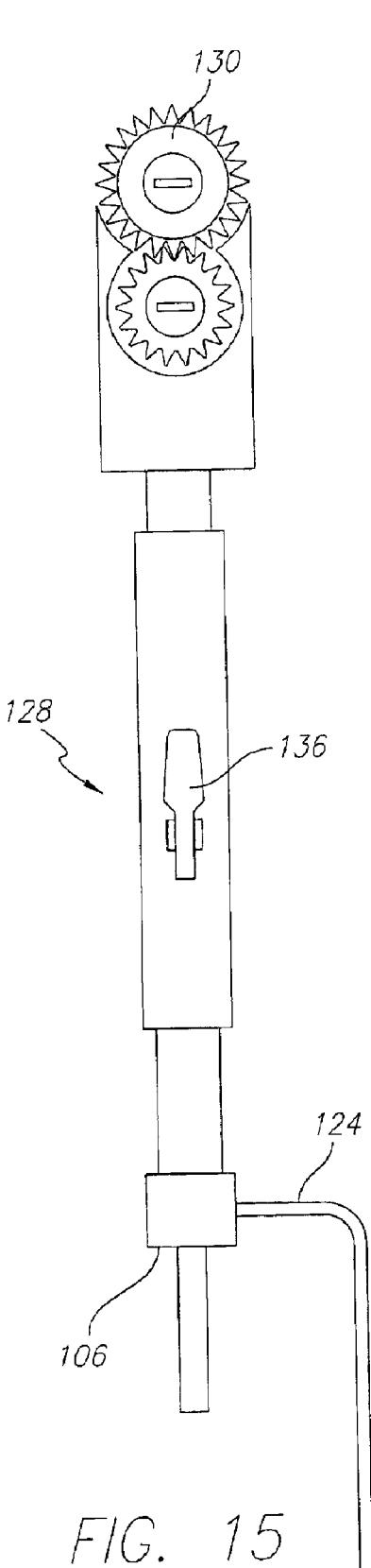


FIG. 15

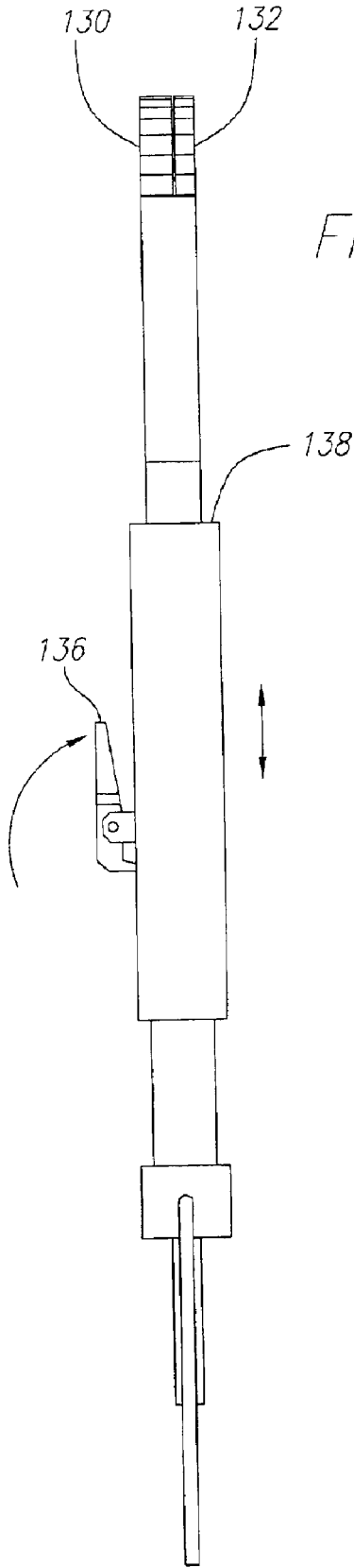
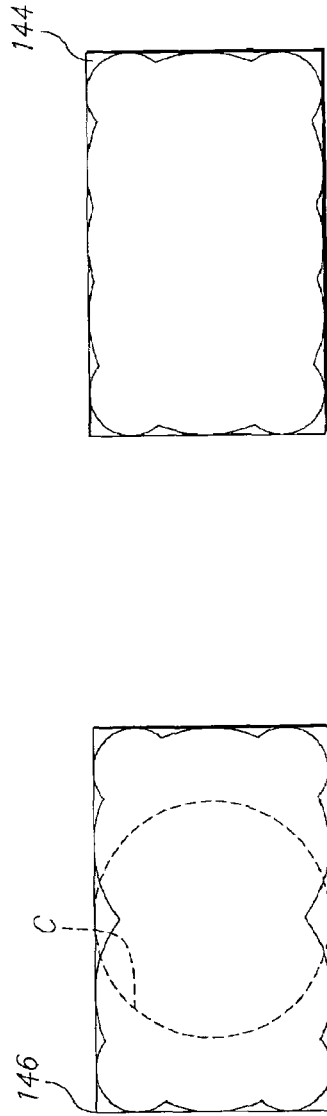
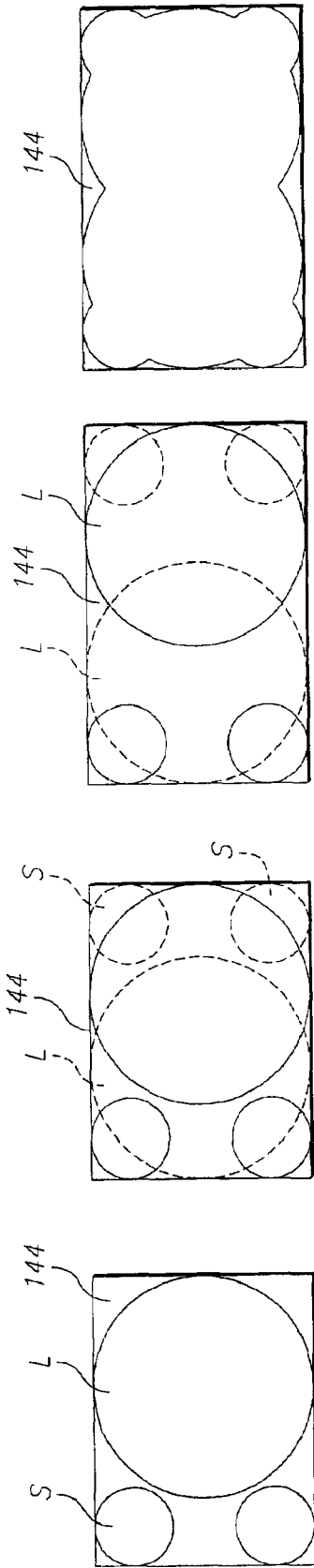


FIG. 16



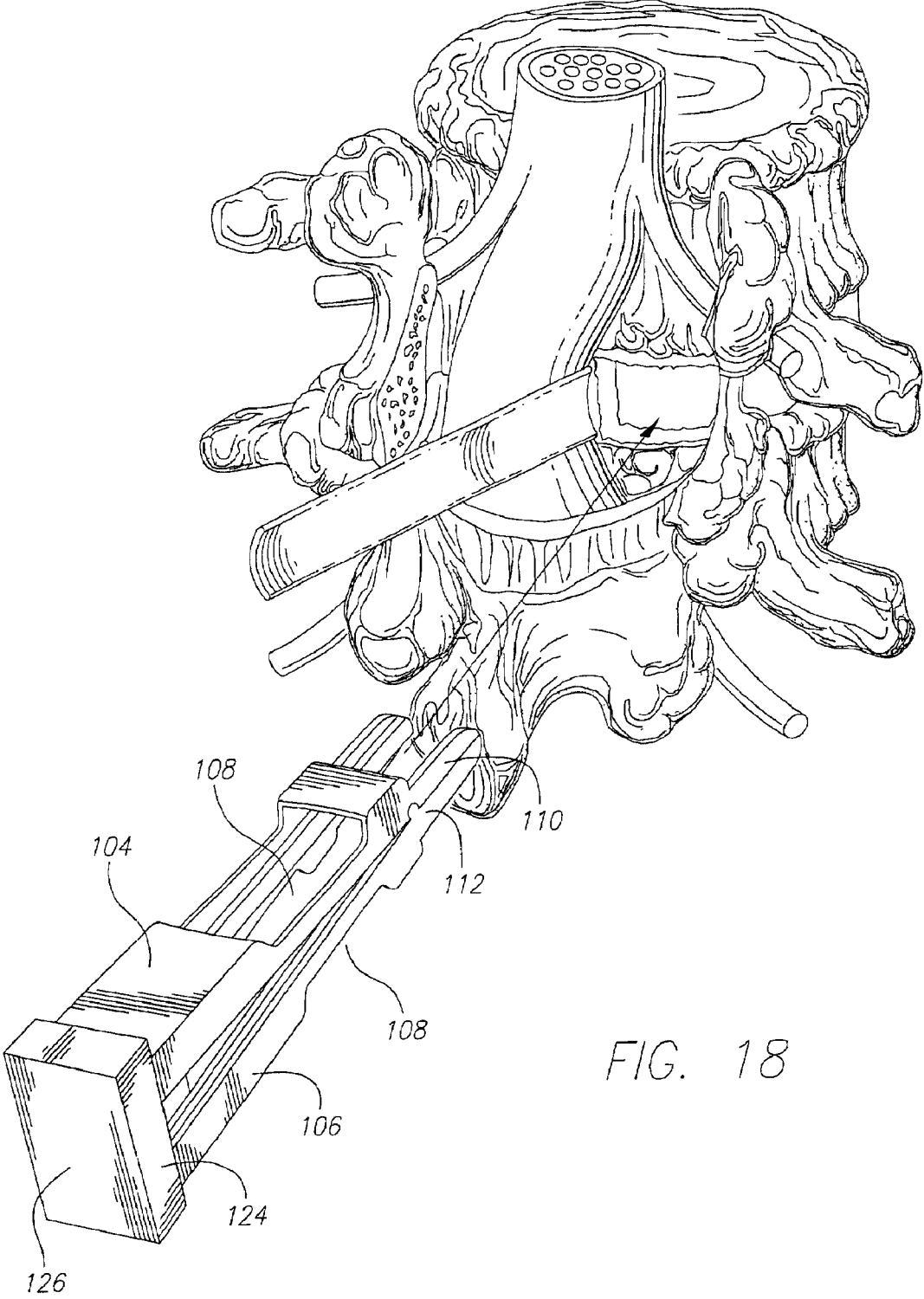
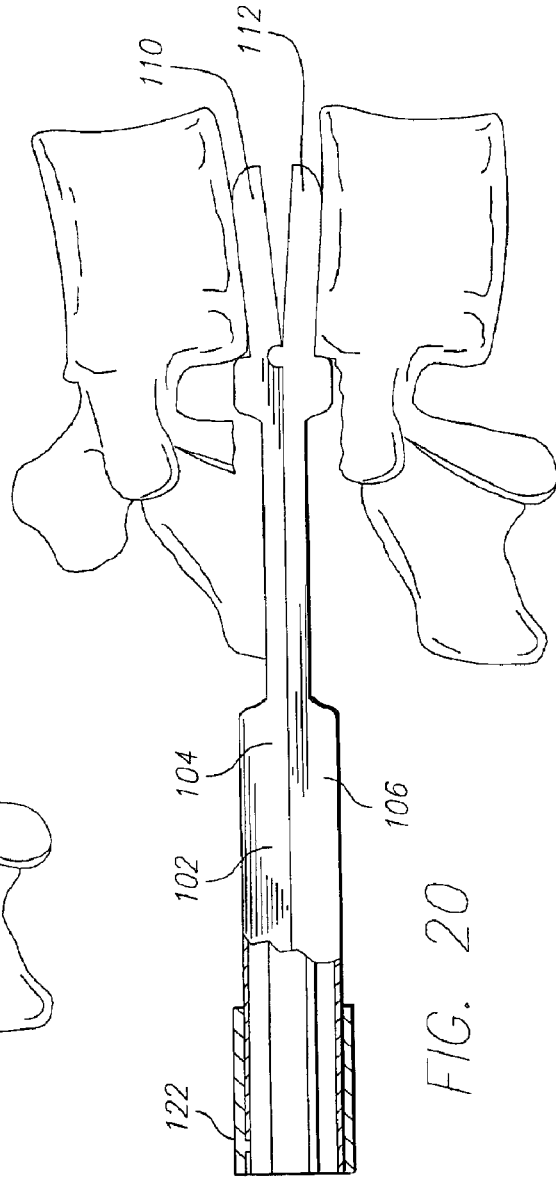
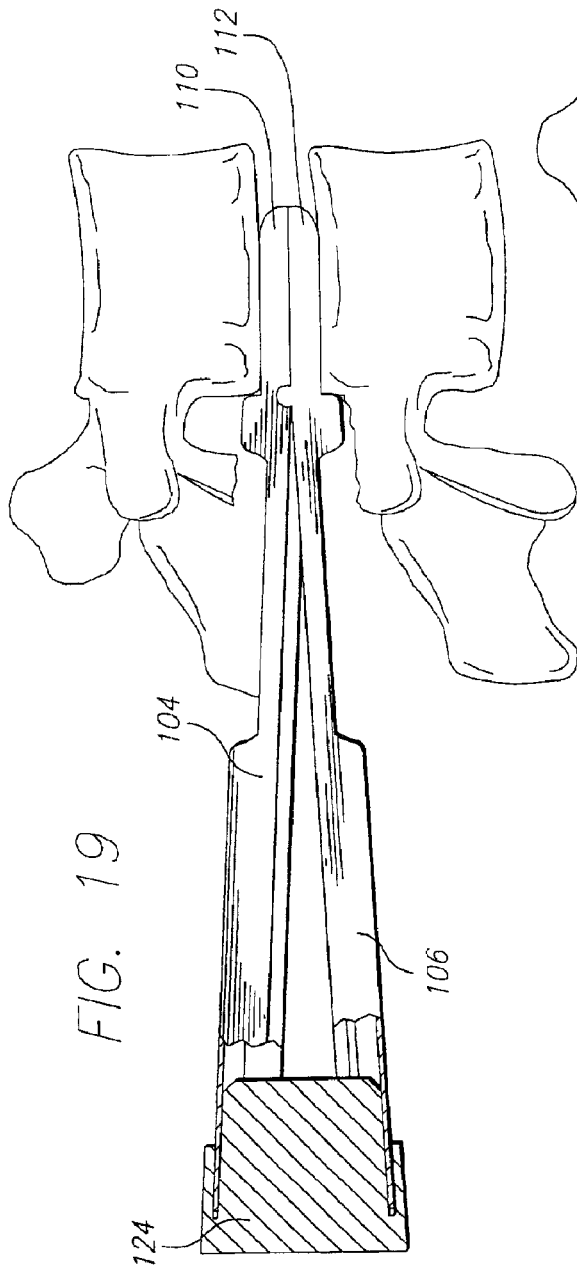


FIG. 18



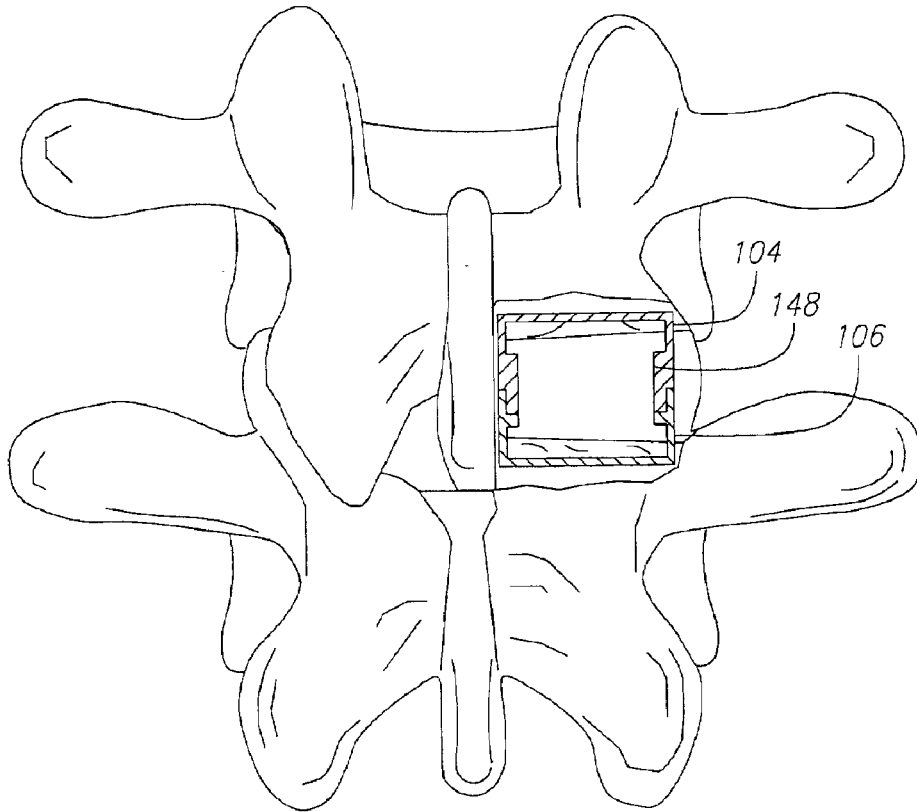


FIG. 21

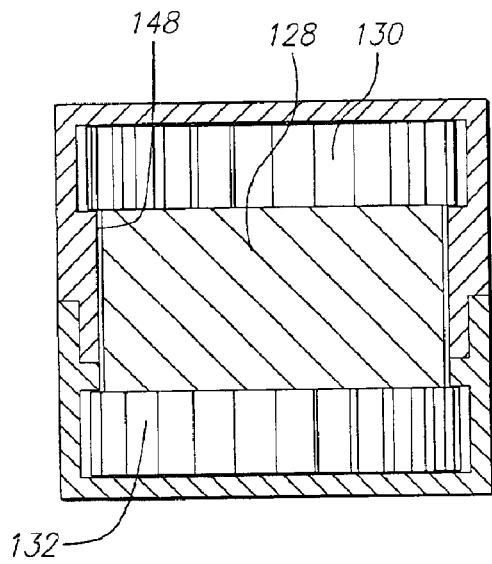


FIG. 23A

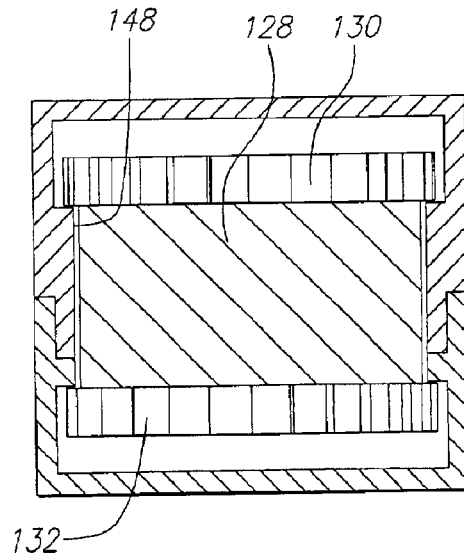


FIG. 23B

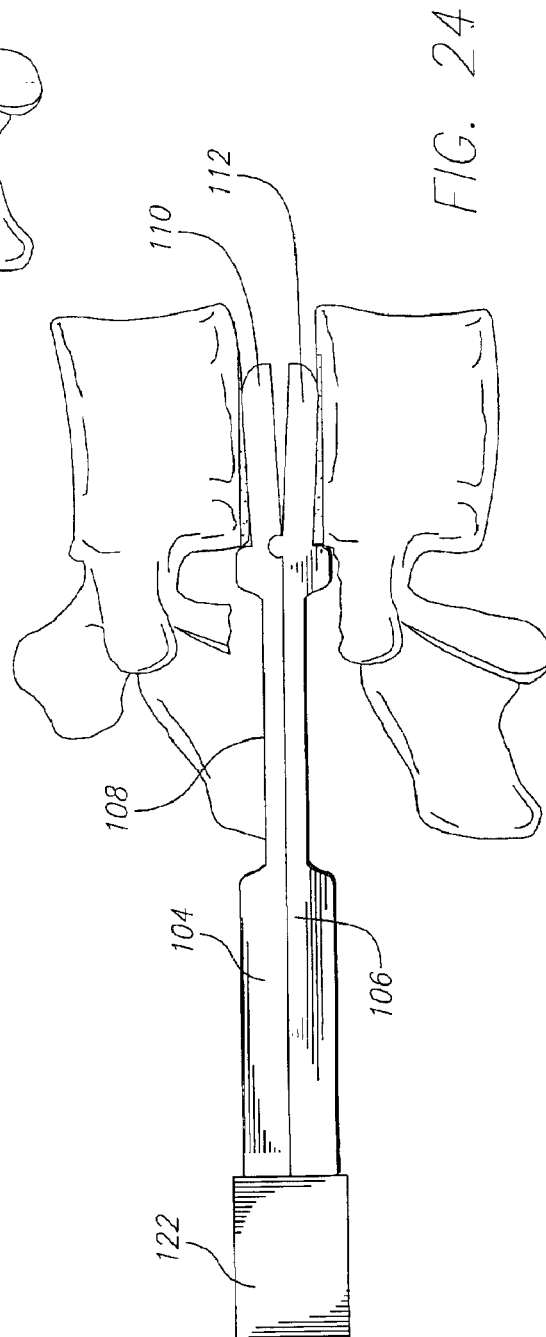
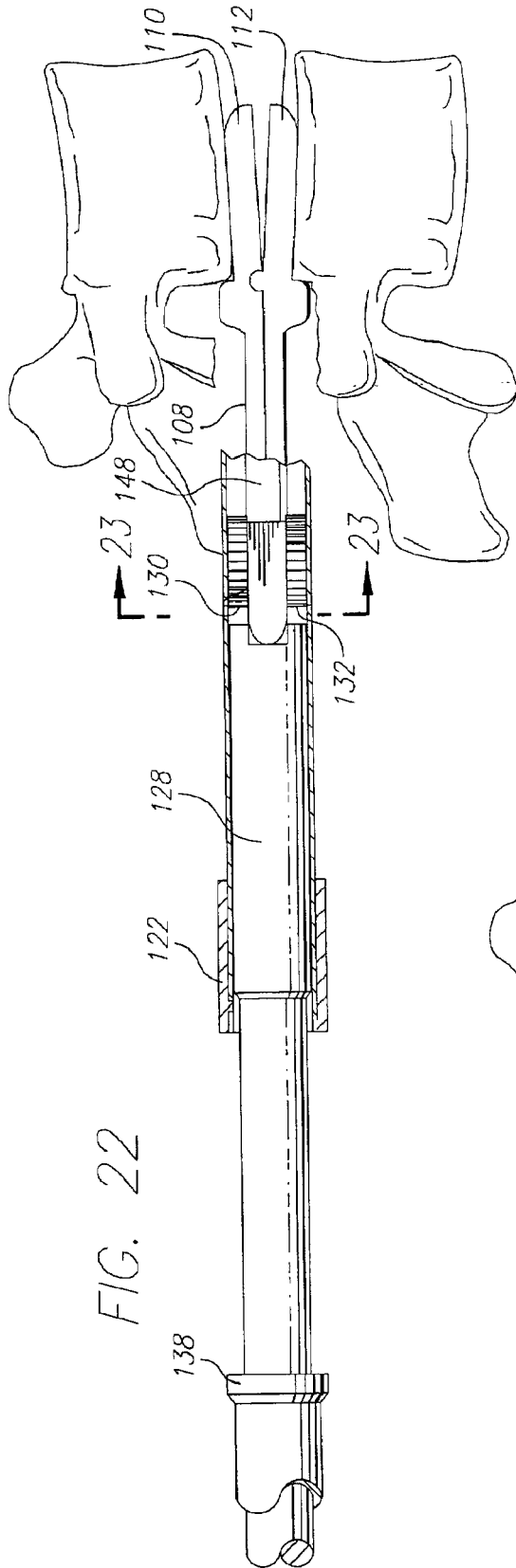


FIG. 25

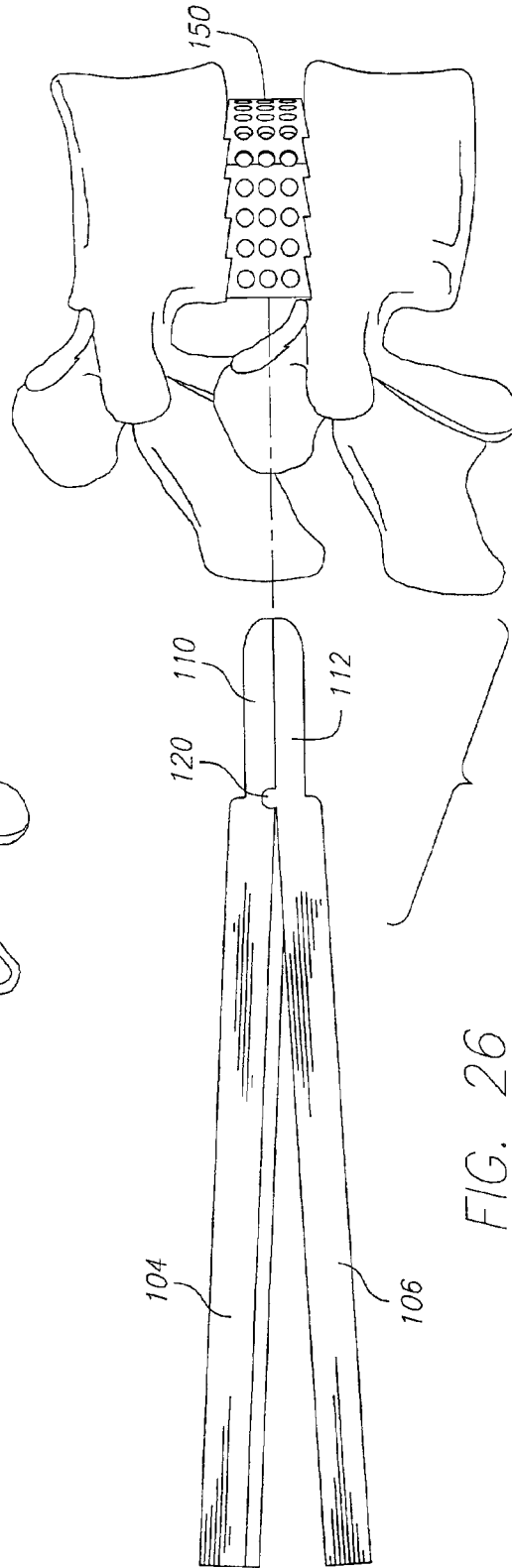
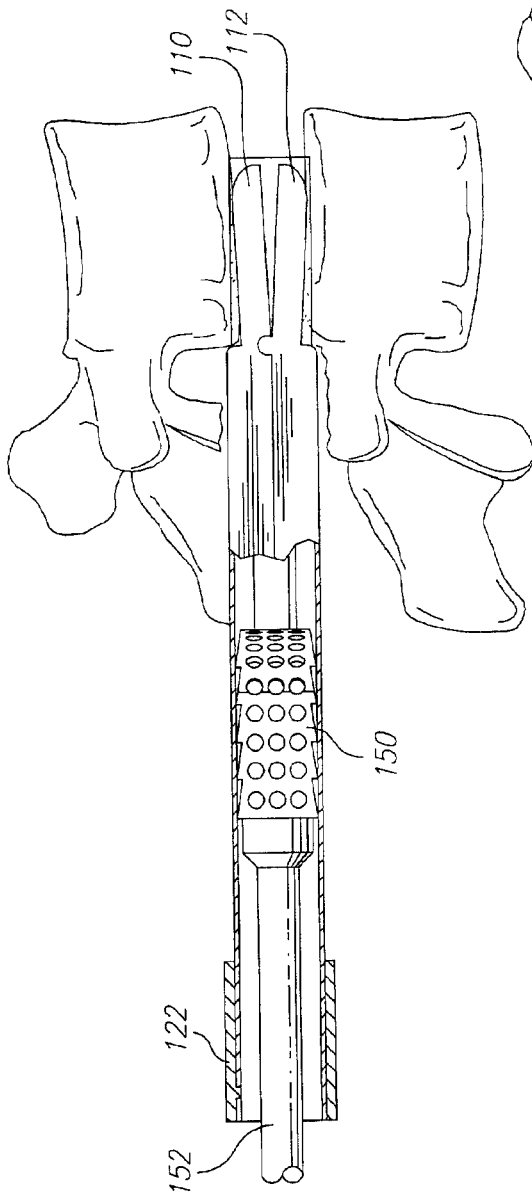


FIG. 26

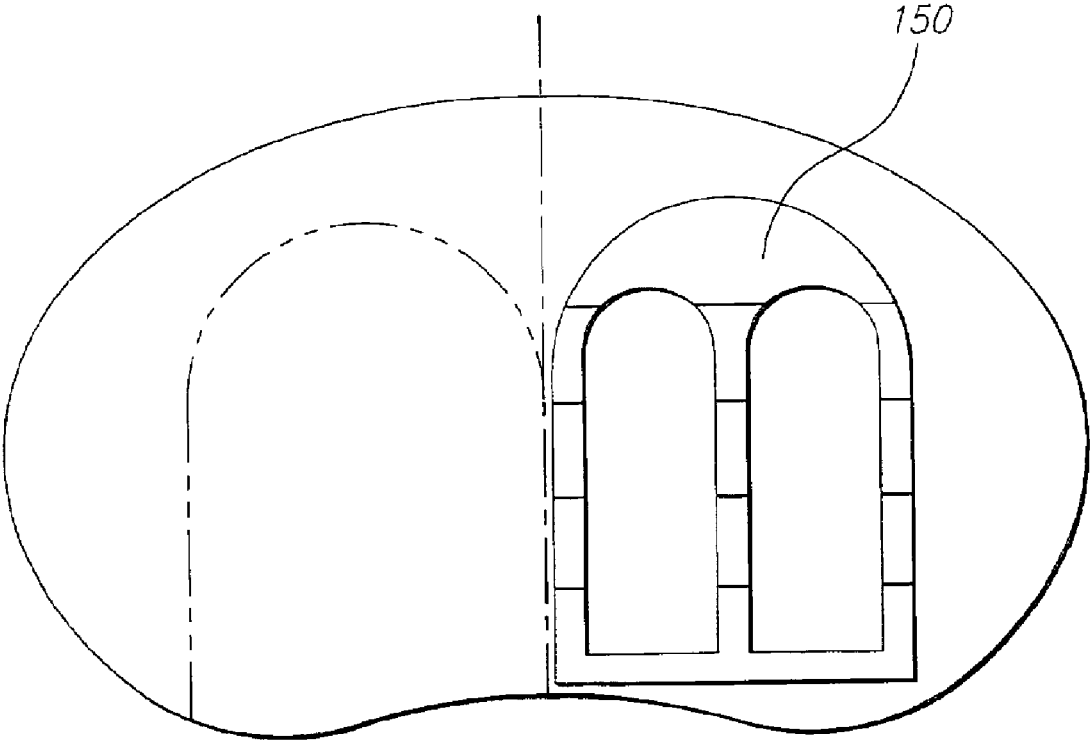


FIG. 27

1

**DYNAMIC LORDOTIC GUARD WITH
MOVABLE EXTENSIONS FOR CREATING
AN IMPLANTATION SPACE POSTERIORLY
IN THE LUMBAR SPINE**

This application is a continuation-in-part of U.S. utility application Ser. No. 10/061,236, Feb. 4, 2002, and claims benefit of U.S. provisional application No. 60/272,381, filed Mar. 1, 2001, the disclosures of which are incorporated herein by reference.

FIELD OF THE INVENTION

The present invention relates to a device for implantation into a disc space between adjacent vertebral bodies in the human spine, and a device and method for working on those portions of the vertebral bodies adjacent that disc space to remove bone material and thereby access vascular bone, and preferably a device and method for protecting the neurological structures such as nerve roots and dural sac proximate the implantation site while providing protected access to form an implantation space and then access the implantation space formed between the adjacent vertebral bodies for insertion of an implant therein. The device and associated method are used to position (space apart and align) the vertebral bodies, guide the formation of a surface into or through each of the vertebral body surfaces that are adjacent the intervertebral disc space, and may further be utilized to guide an interbody spinal implant into the implantation space.

In one embodiment, the device and associated method are used to make an implantation space to insert an implant of a height having a known correspondence to the height of the space created. In another embodiment, the device and associated method are used to make an implantation space of known and specific dimensions (e.g., width; depth; and height) and with certain preferred embodiments, permit passage through the device of an implant having a height greater than the height of the implantation space formed through the device.

BACKGROUND OF THE INVENTION

Human vertebral bodies are comprised of a dense, hard outer shell and a relatively less dense inner mass. The hard outer shell is very densely compacted cancellous bone, resembling cortical bone at all but high magnification, and is generally referred to as the cortex. The inner mass is a softer cancellous bone. As shown in FIG. 1, the outer shell of cortex bone (the bony endplate) that is adjacent the disc and the bone immediately beneath that bone (both are subchondral, that is, beneath the cartilage layer or cartilaginous endplate that separates the bone from the disc), are defined for the specific purposes of this specification to comprise the "end plate region" to avoid any confusion that might otherwise arise from any inconsistency in the use of any of these terms. While it is understood that these terms may have other meanings more ordinary or special, and that those of ordinary skill in the art might otherwise differ as to the correct meanings of these terms, it is exactly for the purpose of removing any ambiguity that these terms are being so precisely defined specifically for this specification.

The spinal disc that resides between adjacent vertebral bodies maintains the spacing between those vertebral bodies and, in a healthy spine, allows for relative motion between the vertebrae. At the time of surgery, for example in the instance of interbody fusion, that is, where fusion is intended to occur between adjacent vertebral bodies of a patient's

2

spine, the surgeon typically prepares an opening at the site of the intended fusion by removing a substantial amount of the nucleus disc material that exists between the adjacent vertebral bodies to be fused. Because the outermost layers of bone of the vertebral end plate are relatively inert to new bone growth, the surgeon will typically work on the end plate to remove at least the outermost cell layers of bone to gain access to the blood-rich, vascular bone tissue within the vertebral body. In this manner, the vertebrae are prepared in a way that encourages new bone growth consistent with fusion.

Devices for assisting a surgeon in accessing the disc space and adjacent vertebral bodies are known. Drill guides and boxed chisels have been used to form an implantation space between the adjacent vertebral bodies for insertion of a spinal implant therein. Applicant invented a guard and instrument system particularly well suited for use in the lumbar spine and of unequalled advantage for use posteriorly therein through which both the implantation space can be formed and a spinal implant can be inserted into the implantation space, as disclosed in U.S. Pat. No. 5,015,247, filed Jun. 13, 1988, which is hereby incorporated by reference.

Applicant also invented a guard having disc penetrating extension(s), which extensions have utility for stabilizing the guard, stabilizing the adjacent vertebrae relative to each other, urging the vertebrae apart if desired, and aligning the vertebrae to each other if desired to form the implantation space through the guard and insert the spinal implant through the guard into the implantation space, as disclosed in U.S. Pat. No. 6,080,155 filed Feb. 27, 1995, incorporated herein by reference. The disc penetrating extensions can have either parallel or angled upper and lower surfaces in contact with the adjacent vertebral bodies to place the adjacent vertebral bodies parallel to one another or at an angle to one another. The disclosed disc penetrating extensions are rigid.

To obtain a particular orientation between the adjacent vertebral bodies a surgeon selects a guard having a predetermined orientation between the upper and lower surfaces of the disc penetrating extensions. In the case of disc penetrating extensions that have upper and lower surfaces diverging from one another as would be useful for posterior lumbar interbody fusion (PLIF), so as to be higher at the insertion or distal end than at the trailing or proximal end of the extensions, a tapered leading end is used to facilitate insertion of the disc penetrating extensions into the disc space. Such a configuration allows for lordosis of the lumbar segment of a spine to be operated upon from a posterior approach. For extensions that have diverging upper and lower surfaces, additional force is required to drive the guard and extensions into place. Then, after an implant is inserted, it may be difficult to remove a distractor element such as a guard having disc penetrating extensions having a maximum height greater than the height of the disc space posterior height.

Present methods of forming the implantation space between adjacent vertebral bodies generally include the use of one or more of the following: hand held biting and grasping instruments known as rongeurs; drills and drill guides; rotating burrs driven by a motor; and osteotomes and chisels. Applicant has taught various novel instruments to mill out the recipient fusion site across the height of the disc space including various cutting/milling frames and various novel cutters as disclosed in applicant's U.S. Pat. No. 6,159,214, incorporated herein by reference. Sometimes the vertebral end plate region bone must be sacrificed as occurs

when a drill is used to drill across the disc space and deeper into the vertebrae than the thickness of the end plate region. Such a surgical procedure necessarily results in the loss of the hardest and strongest bone tissue of the vertebrae—the end plate region—and thereby robs the vertebrae of that portion of its structure best suited to absorbing and supporting the loads placed on the spine by everyday activity. Nevertheless, the surgeon must work upon the adjacent end plates of the adjacent vertebrae to access the vascular, cancellous bone that is best suited for participating in the fusion and causing active bone growth, and also to attempt to obtain an appropriately shaped surface in the vertebral bodies to receive the implant. Because the end plates of the adjacent vertebrae are not flat, but rather have a complex biological as opposed to geometrical curved shape, it is necessary to conform the vertebrae to the shape of the implant to be received therebetween.

Applicant solved the above-identified problem through his device for forming a disc space disclosed in U.S. Pat. No. 6,083,228 and U.S. patent application Ser. No. 09/663,311, filed Sep. 15, 2000, both of which are hereby incorporated by reference. Both of these disclosures describe various abrading elements and cutting wheels used to form the implantation space. U.S. patent application Ser. No. 09/663,311 discloses the use of a guard or frame having disc penetrating extensions that could be either parallel or angled to properly orient the vertebral bodies relative to one another prior to forming the implantation space.

There is a need for a guard for use in posterior lumbar surgery to create an interbody implantation space while providing for spinal lordosis and while being easily and safely inserted and as easily and safely removed.

SUMMARY OF THE INVENTION

In accordance with the purposes of the present invention, as embodied and broadly described herein, a guard of this invention is provided for use in spinal surgery across a disc space between two adjacent vertebral bodies of a human spine. The guard includes a body having a leading end and an opposite trailing end. The body has a first portion and a second portion proximate the leading end that are in pivotal relationship to one another between an open position and a closed position. The first and second portions each have opposed interior portions that are at least in part flat and define an opening for providing protected access to the disc space and the adjacent vertebral bodies. The opposed interior portions are adapted to guide a bone removal device therethrough that is sized to form an implantation space across the disc space and at least in part into the adjacent vertebral bodies. The guard also includes at least one disc space penetrating extension extending from the leading end of the body that is adapted for insertion at least in part into the disc space. The extension has a first portion extending from the first portion of the body that has a contact surface adapted to bear against one of the adjacent endplates of the adjacent vertebral bodies. The extension also has a second portion extending from the second portion of the body that has a contact surface adapted to bear against the other of the adjacent endplates of the adjacent vertebral bodies. The contact surfaces of the first and second portions of the extension are in pivotal relationship to one another from an insertion position to a deployed position to move the adjacent vertebral bodies apart upon movement of the first and second portions of the body from the open position to the closed position.

The body of the guard may have a generally rectangular or generally square cross section along at least a portion of

the length of the body. The leading end of the body may be adapted to conform at least in part to the exterior surfaces of the adjacent vertebral bodies by having the leading end cut back to permit the contact surfaces to have an intimate fit with the vertebral bodies when the guard is in the deployed position. The body may include at least one window adapted to permit the surgeon to observe the surgery through the window and/or permit portions of bone extending through the window to be removed by the bone removal device passing through the body of the guard.

The guard may include a second disc penetrating extension diametrically opposite to a first disc penetrating extension. Each disc penetrating extension may have a tapered leading end and have contact surfaces that are parallel to each other over a substantial portion of the length of each extension when in the insertion position. The first and second portions of each disc penetrating extension may be adapted to touch one another when in the insertion position.

The first and second portions of the body may be hinged to one another to rotatably articulate relative to one another about an axis of rotation that is fixed relative to the mid-longitudinal axis of the guard when moved from the open position to the closed position. The body may have an interior surface having a cooperating surface for guiding a corresponding cooperating surface on the bone removal device.

The guard may include an impaction cap adapted to cooperatively engage the trailing end of the body when the body is in the open position. The guard may include a lock in the form of a collar adapted to cooperatively engage the body of the guard when the body is in the closed position to hold the body in the closed position.

The guard may form part of a combined spinal surgery set that includes a bone removal device, an implant driver, and a spinal implant, or any combination thereof. The bone removal device may have a working end having at least two cutters selected to create a predetermined surface contour into each of the adjacent vertebral bodies as the working end is moved. The implant may be sized and shaped to at least in part match the space formed in the spine by the bone removal device and may be adapted to be combined or treated with a natural or artificial bone growth promoting material or substance.

In accordance with the purposes of another embodiment of the present invention, as embodied and broadly described herein, a guard of this invention is provided for use in spinal surgery across a disc space between two adjacent vertebral bodies of the human spine. The guard includes a body having an opening for providing protected access to the disc space and the adjacent vertebral bodies. The opening has opposed interior portions that are at least in part flat and adapted to guide therethrough a bone removal device sized to form an implantation space across the disc space and at least in part into the adjacent vertebral bodies. The guard also includes at least one disc space penetrating extension extending from the body that is adapted for insertion at least in part into the disc space. The disc penetrating extension has a first portion having a contact surface adapted to bear against one of the adjacent endplates of the adjacent vertebral bodies and a second portion having a contact surface adapted to bear against the other of the adjacent endplates of the adjacent vertebral bodies. The contact surfaces of the first and second portions are adapted to rotatably articulate relative to one another between an insertion position and a deployed position to move the adjacent vertebral bodies apart.

5

The body has a leading end and an opposite trailing end. The body may have a first portion and a second portion proximate the leading end that are adapted to rotatably articulate relative to one another between an open position and a closed position.

In accordance with the purposes of a further embodiment of the present invention, as embodied and broadly described herein, a method of this invention is provided for inserting a spinal implant having at least in part non-arcuate upper and lower portions at least in part within and across the generally restored height of a disc space between two adjacent vertebral bodies of a human spine. The method includes the steps of positioning into the disc space between the adjacent vertebral bodies a guard having a body and an extension for insertion at least in part into the disc space and for bearing against end plates of the adjacent vertebral bodies to restore the spacing of the disc space between the adjacent vertebrae, the guard having a first portion oriented toward one of the adjacent vertebral bodies and a second portion oriented toward another of the adjacent vertebral bodies, the first and second portions being rotatably articulating relative to one another such that when the body moves from an open position to a closed position the extension moves from an insertion position to a deployed position to move the adjacent vertebral bodies apart; rotatably articulating the guard to move the body from the open position to the closed position and the extension from the insertion position to the deployed position to move the adjacent vertebral bodies apart; and forming, through the guard, an opening across height of the disc space and into at least a portion of the endplates of the adjacent vertebral bodies, the opening formed into the endplates having at least in part flat surfaces.

The method may include the further steps of performing the spinal implant surgery from a position posterior to the transverse processes of the vertebrae adjacent the disc space; performing the procedure on both sides of the spinal midline of the spine; securing the body of the guard in the closed position; and inserting two implants into the spine.

The positioning step may include the further steps of positioning a guard having multiple extensions for insertion into the disc space; placing the body of the guard in the open position; driving the extension into the disc space; and inducing angulation to the adjacent vertebral bodies relative to one another.

The rotatably articulating step may include the further steps of orienting the adjacent vertebral bodies in a predetermined relationship relative to each other; and inducing lordosis to the adjacent vertebral bodies.

The forming step may include the further steps of inserting the bone removal device through the guard to a desired depth; forming the implantation space with the bone removal device; and forming opposed receiving surfaces in the end plates of the vertebral bodies corresponding at least in part in size, shape, and contour to an implant to be implanted. The forming step may include any one of milling, drilling, reaming, abrading, chiseling, and trephining the implantation space.

The method may include the further steps of inserting the implant into the implantation space through the guard, or inserting the implant into the implantation space after removing the guard from the disc space. The inserting step may include the further steps of inserting the implant using an implant inserter; and removing the implant inserter after using the implant inserter to insert the implant into the implantation space. The inserting step may also include inserting a spinal implant that is a spinal fusion implant that

6

has at least in part non-arcuate upper and lower surfaces for placement between and in contact with the adjacent vertebral bodies, each of the upper and lower surfaces having at least one opening adapted to permit for the growth of bone from adjacent vertebral body to adjacent vertebral body through the implant. The inserting step may include inserting a spinal implant having a hollow between the upper and lower surfaces; inserting a spinal implant that is expandable; and inserting a spinal implant having surface projections configured to resist expulsion of the implant from the implantation space. The inserting step may include inserting any one of an inert spacer, an artificial disc, or a bone graft.

The inserting step may further include the steps of compressively loading the implant with fusion promoting substances selected from one of bone, bone derived products, demineralized bone matrix, ossifying proteins, bone morphogenetic protein, hydroxyapatite, and genes coding for the production of bone; and retaining the fusion promoting substance within the implant after the loading step. The step of retaining the fusion promoting substance may include attaching a cap to the implant.

The inserting step may also include the steps of treating the implant with a fusion promoting substance; inserting an implant in combination with a chemical substance adapted to inhibit scar formation; inserting an implant in combination with an antimicrobial material; inserting an implant including a fusion promoting substance or having a bone ingrowth surface; inserting an implant being at least in part of one of bone and bone growth promoting material; and inserting an implant in combination with at least one of a fusion promoting substance, bone, bone growth promoting material, bone derived products, demineralized bone matrix, ossifying proteins, bone morphogenetic protein, hydroxyapatite, and genes coding for the production of bone.

The method may further include the steps of collapsing the extensions and removing the guard from the disc space.

The accompanying drawings, which are incorporated in and constitute a part of this specification, are by way of example only and not limitation, and illustrate several embodiments of the invention, which together with the description, serve to explain the principles of the invention. The scope of the invention is limited only by the scope of the claims as from the present teachings other embodiments of the present invention shall be apparent to those skilled in the art.

OBJECTS OF THE PRESENT INVENTION

The present invention has a number of embodiments, at least some of which have as an object of at least one embodiment of the present invention to provide a device and method for quickly, safely, effectively, and accurately spacing apart and positioning a pair of adjacent vertebral bodies to receive an implant, which is anything designed to be left in the body for an extended length of time, working upon the properly positioned vertebral body end plate regions adjacent a disc space so as to, while preserving that end plate region at least in part, remove bone to produce a receiving surface corresponding to an implant having upper and lower surfaces to be implanted between the adjacent vertebrae.

It is a further object of at least one embodiment of the present invention to provide a device and method that permits the insertion of disc penetrating extensions of a guard into the disc space posteriorly in a first position that facilitates insertion and removal of the disc penetrating extensions into and from the disc space and then permits the

disc penetrating extensions to be moved into a second position that orients the adjacent vertebral bodies in a preferred lordotic relationship relative to the device and each other.

It is a further object of the present invention, in at least certain embodiments, to provide a device capable of working upon both of the vertebral body end plate regions adjacent a disc space to produce opposed receiving surfaces in the adjacent end plates corresponding at least in part in size, shape, and contour to an implant to be implanted with the exception of the height of the implant, which may be greater than the distance between the opposed receiving surfaces that may be distracted or otherwise moved apart by insertion of the implant, and in so doing to define the shape to the implantation space.

It is a further object of the present invention to provide a device that works with linear insertion, i.e., insertion along a single axis, and without removing the device during the process of disc space preparation and, if so desired with certain embodiments of the present invention, implant placement.

These and other objectives of the present invention will occur to those of ordinary skill in the art based on the description of the preferred embodiments of the present invention described below. However, not all embodiments of the inventive features of the present invention need achieve all the objectives identified above, and the invention in its broadest aspects is not limited to the preferred embodiments described herein.

BRIEF DESCRIPTION OF THE DRAWINGS

The accompanying drawings together with the description, serve to explain the objects, advantages, and principles of the invention. In the drawings:

FIG. 1 is a front elevation view of two disc levels of the lumbar spine showing the prior art depth of resection resulting from drilling through the bony end plate region of adjacent vertebral bodies and showing the endplate region on a vertebral body;

FIG. 2 is a side view of a preferred embodiment of a guard of the present invention with the disc penetrating extensions closed into a first or insertion position;

FIG. 3 is a top and bottom view of the guard shown in FIG. 2;

FIG. 4 is a proximal or trailing end view of the guard shown in FIG. 2;

FIG. 5 is a side view of the guard of FIG. 2 with the disc penetrating extensions opened into a second or deployed position;

FIG. 6 is side view with a partial cross-section of a lock collar for use with the guard of FIG. 2;

FIG. 7 is a perspective view of an impaction cap for use with the guard of FIG. 2;

FIG. 8 is a cross-sectional view of the impaction cap of FIG. 7 taken along line 8—8 of FIG. 7;

FIG. 9 is a top view of a cutting device configured to pass through the guard shown in FIG. 2;

FIG. 10 is a side view of the cutting device of FIG. 9;

FIG. 11 is a top view of the cutting device of FIG. 9 showing a spring-biased lever that may be used to adjust the position of a stop member;

FIG. 12 is a side view of a double-wheel cutting device having opposed abrading or cutting elements;

FIG. 13 is a side view of a double-wheel cutting device having abrading or cutting surfaces inclined relative to one

another to form a space between the adjacent vertebral bodies that approximate the lordotic curvature of a human spine at the location that will receive the implant;

FIG. 14 is a detailed view illustrating a single-wheel cutting device;

FIG. 15 is a top plan view of a spinal interspace shaper bone removal device;

FIG. 16 is a side elevation view of the bone removal device of FIG. 15;

FIG. 17A is a diagrammatic illustration of a hole pattern formed with a drill guide and large and small drills;

FIG. 17B is a diagrammatic illustration of the hole pattern formed after the drill guide is flipped 180 degrees and additional holes are drilled with the large and small drill bits;

FIG. 17C is a diagrammatic illustration of the space created with the drill guide of FIG. 17B, but where the space to be prepared is wider than in FIG. 17B;

FIG. 17D is the configuration of the space created with the drill guide instrument and the holes drilled as shown in FIG. 17C;

FIG. 17E is a diagrammatic illustration of a hole drilled with a central bore drill guide into the space of FIG. 17D;

FIG. 17F is the configuration of the space created with the drill guide instrument and central bore drill guide instrument of FIG. 17E;

FIG. 18 is a rear perspective view of a lumbar segment of a spine with the dural sac retracted to the left showing a partial discectomy and the guard with disc penetrating extensions of FIG. 2 approaching the disc space between the adjacent vertebral bodies with the disc penetrating extensions in the first or insertion position;

FIG. 19 is a side view of the guard of FIG. 2 inserted fully within the spine with the disc penetrating extensions parallel to one another in the insertion position with the impaction cap of FIG. 7 and a portion of the trailing end of the guard in partial cross-section;

FIG. 20 is a side view of the guard of FIG. 2 in the deployed position with the disc penetrating extensions shown in the deployed position to induce lordosis to the vertebral bodies with the locking cap of FIG. 6 shown in partial cross-section coupled to the trailing end of the guard to maintain the guard in a closed position;

FIG. 21 shows a trailing end view of the guard of FIG. 2 in the deployed position between adjacent vertebral bodies with portions of the end plates of the adjacent vertebral bodies visible through the interior of the guard;

FIG. 22 shows a cross-sectional side view of the guard of FIG. 2 in the deployed position with the disc penetrating extensions in deployed position to induce angulation to the adjacent vertebral bodies and a side view of the cutting device being inserted along tracks on the inside of the guard with the lock collar of FIG. 6 installed;

FIG. 23A is a cross-sectional view of the cutting device and guard along line 23—23 of FIG. 22 with the cutting device height approximating the height of the passage through the guard;

FIG. 23B is a cross-sectional view of an alternative embodiment of the cutting device and guard along line 23—23 of FIG. 22 with the cutting device height less than the height of the passage through the guard so as to permit passage through the guard of an implant having a height greater than the height of the insertion space formed through the guard;

FIG. 24 is a side view of the guard inserted into the adjacent vertebral bodies with the guard in the inserted

position with lock cap on the trailing end thereof and the disc penetrating extensions in the deployed position showing the portions of the vertebral end plates removed by the cutting device;

FIG. 25 is a partial cross-sectional side view of the guard of FIG. 2 showing a spinal fusion implant and inserter passing through the guard to insert an implant into the disc space between the adjacent vertebral bodies;

FIG. 26 shows a side view of the spinal segment with the implant of FIG. 25 inserted in the disc space and the guard with the disc penetrating extensions returned to the insertion position to facilitate the removal of the guard; and

FIG. 27 is a top plan view of the lower vertebral body of the spinal segment of FIG. 26 with the spinal fusion implant inserted in the socket formed in the vertebral end plate region by the cutting device and a dashed line illustrating the location of a second socket to be formed in the vertebral body for placement of a second spinal fusion implant when the process is repeated.

DETAILED DESCRIPTION OF THE PRESENTLY PREFERRED EMBODIMENT

Reference is now made in detail to the present preferred embodiments of the invention, as illustrated in the accompanying drawings.

FIGS. 2-5 are generally directed to an embodiment of a guard having a rectangular cross-section for use in spinal surgery for forming an implantation space between adjacent vertebral bodies of the lumbar spine from a posterior approach. As shown in FIG. 2, a guard 100 has a body 102 with a first portion 104 and a second portion 106. Guard 100 also has disc penetrating extensions 110, 112. In particular, first disc penetrating extension 110 extends from first portion 104 of body 102 and second disc penetrating extension 112 extends from second portion 106 of body 102.

In preferred embodiments, but not requisite, various windows 108 in guard body 102 allow the surgeon to remove portions of a facet, pedicle, or spinous process in the same procedure as the bone removal of the vertebral bodies for creating an insertion space therebetween. It is within the scope of the present invention to use a variety of window shapes in addition to the shape depicted to accommodate projecting bone structures. Window 108 also may be used in observing the procedure at various stages of the operation and if so desired for passing instruments therethrough. Rather than or in addition to a window 108, the guard may have one or more indentations of the wall of the body 102 to make room for a facet, pedicle, or spinous process. As best seen in top view FIG. 3, disc-penetrating extensions 110, 112 are preferably at least in part coextensive with the sides 114 of body 102.

FIG. 2 shows guard 100 with body 102 with disc penetrating extensions 110, 112 in a first or closed position, for insertion into the disc space between adjacent lumbar vertebral bodies to be operated upon. Whereas FIG. 5 shows guard 100 with body 102 closed and disc penetrating extensions 110, 112 in a second or expanded or deployed position. FIG. 4 shows a proximal end view of guard 100 with exterior surface 116, interior surface 118, and hinges 120.

FIG. 6 is a side view with a partial cross-section of a lock collar 122 for use with guard 100. Lock collar 122 is used when body 102 of guard 100 is in the closed position to lock guard 100 into that position.

A perspective view of an impactation cap 124 for use with guard 100 is shown in FIG. 7. FIG. 8 is a cross-sectional

view of impactation cap 124. Impactation cap 124 is fit over the proximal or trailing end of guard 100 with body 102 in the open position and disc penetrating extensions 110, 112 in the closed, first, or insertion position. While it may be possible to insert the extensions of the guard into the disc space by holding the body of guard 100, impactation cap 124 provides a contact surface 126 upon which force can be applied, such as with a mallet, to drive disc penetrating extensions 110, 112 of guard 100 into the disc space between adjacent vertebral bodies.

A variety of bone removal devices are useable with the guard of the present invention. For example, FIGS. 9-11 show a cutting device 128 configured to pass through guard 100 for cutting the vertebral end plates of adjacent vertebral bodies to form an implantation space for receipt of a spinal implant. Cutting device 128 includes an upper cutter 130 and a lower cutter 132, as disclosed in WO 99/63891, incorporated herein by reference. FIGS. 9 and 11 are each a top view of cutting device 128 and FIG. 10 is a side view. In this embodiment, upper and lower cutters 130, 132 are two disc-shaped members that mount on the distal end of the cutting device 128 by a recessed screw 134 and screw shaft (not shown). In the embodiment of the present invention shown in FIGS. 9-11, the upper and lower cutters 130, 132 and their associated cutting surfaces may be rotated in opposite directions so as to counteract and balance any torque applied to cutting device 128 as the cutters remove the requisite material through the vertebral end plate regions. Counter-rotating motion of cutters 130, 132 is illustrated by the arrows in FIG. 10. Cutters 130, 132 are preferably configured with sharpened leading edges about the periphery to facilitate cutting during linear advancement of cutting device 128. FIG. 11 is a top view of cutting device 128 showing a spring-biased lever 136 that may be used to adjust the position of a stop member 138 to limit the depth of insertion of cutting device 128 within guard 100 and thus into the spine. Cutting device 128 may also be adapted to include cutters or abrading elements which have a pair of opposed, outwardly facing abrading surfaces or cutters 130, 132 which lie in planes that may be parallel to each other, as shown in the embodiment of FIG. 12, or, alternatively, convergent to each other, as shown in FIG. 13.

FIG. 14 shows a single wheel embodiment of cutting device 128. In FIG. 14, cutting device 128 includes a single wheel 140 having a single abrading surface 142 that works on one vertebral surface at a time within the disc space.

FIGS. 15 and 16 show an improved spinal interspace shaper bone removal device 128 from the top plan view and side elevation view, respectively. Device 128 includes drive members positioned adjacent cutting members, instead of between cutting members, to permit the overall height of device 128 to be less than was previously possible with cutting member having a drive member therebetween because cutting members can be placed closer together, as described in applicant's U.S. application Ser. No. 09/972,560, filed Oct. 6, 2001, incorporated herein by reference.

FIGS. 17A-F show another embodiment of a bone removal device useable with the guard of the present invention. In this embodiment, a drill guide 144 is used in combination with large drills and small drills as disclosed in U.S. Pat. No. 6,224,607, the disclosure of which is hereby incorporated by reference. As shown in FIG. 17A, the holes created with the large drills (L) and small drills (S) form a pattern as indicated in the dotted lines. After the first three holes have been drilled, guide 144 is removed from within guard 100, rotated 180 degrees and then reinserted into guard 100. Guide 144 is now oriented such that a large bore

is positioned over the area in which the small holes were drilled and small bores are positioned over the area in which the large bore was drilled. The drilling procedure with large drills and small drills is repeated to create a pattern of holes as indicated by the dotted lines in FIG. 17B. As a result of this drilling procedure, a substantial portion of bone is removed from the end plates of the adjacent vertebrae creating a space approximating the configuration of a rectangle.

FIGS. 17E and 17F show the use of a large central bore (c) guide 146. Guide 146 has a large bore that is centrally placed, such that when a large drill is passed through central bore guide 146, the portion of bone remaining in the central portion of the space being created can be removed. As shown in FIG. 17C, the use of central bore guide 146 may be of particular value in removing remaining bone where guide 144 has a hole pattern that when reversed provides for a lesser amount of overlap of bores formed through the large bore. FIG. 17D shows the space created with the drilling procedure through FIG. 17C. The hole created with central bore guide 146 is shown in dotted line in FIG. 17E. As shown in FIG. 17F, the space created with the drilling procedure disclosed above results in a substantial portion of bone being removed from the end plate of adjacent vertebrae creating a space that more closely approximates the configuration of a rectangle.

FIGS. 18–27 show the progression of various steps of a preferred method for using guard 100 and other associated equipment disclosed herein.

FIG. 18 is a perspective view of a segment of a spine viewed from a posterior aspect with the dural sac retracted to the left showing that a partial discectomy has already been performed. Guard 100 with disc penetrating extensions 110, 112 are shown approaching the disc space between the adjacent vertebral bodies with disc penetrating extensions 110, 112 in the first or insertion position. Impaction cap 124 is positioned on the proximal or trailing end of guard 100 to maintain it in the open position such that the disc penetrating extensions are closed into the insertion position. In this position, guard 100 is ready to be placed or driven into the disc space between the adjacent vertebral bodies.

In FIG. 19, the extensions of guard 100 are fully inserted into the spine with the disc penetrating extensions parallel to one another in the first or insertion position. Impaction cap 124 is shown holding the guard in the open position and the disc penetrating extension in the first or insertion position. While the disc penetrating extensions of the first position are shown with a parallel orientation to one another, it is anticipated that the disc penetrating extensions may also be at an angle to one another in the first or closed position.

In FIG. 20, body 102 of guard 100 is shown in a closed position with the disc penetrating extensions shown in the second, open or inserted position to induce lordosis to the vertebral bodies. After closing the body of guard 100, the proximal or trailing end has lock collar 122 placed around it to maintain the body of guard 100 in the closed position.

FIG. 21 shows a proximal end view of guard 100 with the body in the closed and inserted position between adjacent vertebral bodies with portions of the end plates of the adjacent vertebral bodies visible through the interior of guard 100.

In FIG. 22 the body of guard 100 is in a closed position with disc penetrating extensions 110, 112 in the second, expanded or inserted position to induce angulation to the adjacent vertebral bodies. At the distal end of guard 100 shown in cross-section is a side view of cutting device 128

being inserted along tracks 148 on interior surface 118 of guard 100. Guard 100 provides protected access to the disc space and the adjacent vertebral bodies for cutting device 128 via the elongated opening in guard 100. In one embodiment shown in FIGS. 22, 23A, and 25, an implant 150 is preferably sized and shaped to match the space formed in the spine by cutting device 128.

In another embodiment shown in FIGS. 23B and 25, the guard opening may be taller than the height of cutting device 128. Such a taller opening allows the implantation of an implant 150 taller than the height of cutting device 128. Implant 150 is then preferably sized and shaped without much regard to height so that a taller implant 150 may be selected for insertion to the space formed in the spine by cutting device 128.

Guard 100 may also include one or more tracks 148 to direct cutting device 128 while accessing the disc space and adjacent vertebral bodies via the elongated opening in guard 100. Such tracks 148 may include any surface designed to direct cutting device 128. Tracks 148 also serve to keep cutter device 128 from easily rotating or moving side to side within the guard opening. FIGS. 23A and 23B show a cross-sectional view of cutter device 128 and guard 100 along line 23—23 of FIG. 22. In FIG. 24 after cutting device 128 is removed one can observe the portion of the vertebral end plates removed by cutting device 128.

As best shown in FIG. 25, an implant 150, such as an impacted block, interbody fusion device, motion preserving device or other insert and an inserter 152 may be passed through guard 100 to insert implant 150 into the disc space between the adjacent vertebral bodies which guard may be left in place throughout the procedure.

Implant 150 may be made of artificial or naturally occurring materials suitable for implantation in the human spine. Implant 150 may also take a variety of shapes, for example, rectangular or square cross section. Implant 150 can comprise bone including, but not limited to, cortical bone. Implant 150 can also be formed of material other than bone, such as metal including, but not limited to, titanium and its alloys or ASTM material, surgical grade plastics, plastic composites, ceramics, or other materials suitable for use as an interbody implant. The plastics may be bioresorbable. Implant 150 can further be formed of bone growth promoting materials, including but not limited to, bone morphogenetic proteins, hydroxyapatite, and genes coding for the production of bone. Implant 150 can be treated with a bone growth promoting substance, can be a source of osteogenesis, or can be at least in part bioabsorbable. Implant 150 also can be formed of a porous material. Further, implant 150 may be used in combination with chemical substances and/or compounds applied at the trailing end of the implant to inhibit scar formation, and a cap may be of benefit in shielding fusion-promoting substances contained in the implant from these scar formation inhibiting chemicals and compounds.

As illustrated in FIG. 26, after implant 150 is inserted into the implantation space into contact between the adjacent vertebral bodies, body 102 of guard 100 is opened and disc penetrating extensions 110, 112 are thus placed in the first, closed position to facilitate the removal of guard 100 from the disc space. If not for the ability of the extensions to be retrieved from their lordotic inserted position, there would be no easy way to remove the guard.

FIG. 27 is a top plan view of the lower vertebral body of the spinal segment and spinal fusion implant 150 inserted in the implantation space or socket formed in the vertebral end

plate by cutting device **128**. A dashed line illustrates the location of a second implantation space or socket to be formed in the vertebral body for placement of a second spinal fusion implant when the process is repeated.

In summary, a preferred method of the present invention includes: performing from a posterior approach in the lumbar spine at least a partial laminectomy sufficient for access to the disc space; performing at least a partial discectomy, which more preferably provides sufficient space to receive the guard disc penetrating extensions to a depth which may be generally similar to the depth of implant **150** to be received; retracting and protecting the dural sac; inserting guard **100** with extensions **110**, **112** into the disc space; inducing lordosis to the adjacent vertebral bodies; securing body **102** of guard **100** in the closed position; and inserting cutting device **128** through guard **100** to a desired depth. The depth of insertion may be monitored by x-ray. At this point debris may be removed by irrigation suction from within and/or about guard **100**. Extensions **110**, **112** are then collapsed and guard **100** is then removed. Any additional debris may be removed after removal of guard **100**, again by irrigation suction. Implant **150** may be inserted through guard **100** prior to its removal from the disc space, or may be inserted after guard **100** is removed while retractors are utilized as needed to protect the proximate neural structures.

Guard **100** preferably is used for posterior lumbar interbody implantation procedures. Guard **100** includes a height, a width, and a distance between its front and rear portion. The height of body **102** is preferably between 8–25 mm and the opening height is preferably 8–20 mm. The width of the opening of body **102** is preferably 10–25 mm. Disc penetrating extensions **110**, **112** may have any shape or configuration suitable for the intended purpose disclosed herein including extensions with parallel or angled upper and lower surfaces. Preferably, disc penetrating extensions **110**, **112** have a combined height when closed of 6–18 mm and a length of 12–32 mm. For posterior lumbar interbody fusion, cutting device **128** is preferably 8–20 mm in height and 10–25 mm in width. These dimensions could be greater or less and still be useful for their stated purpose while still being within the inventive scope of the present invention.

Although various embodiments of the present invention have been disclosed for purposes of illustration and are for purposes of example only and not limitation, it will be understood by those of ordinary skill in the art that changes, modifications, and substitutions may be incorporated in these embodiments without departing from the spirit or scope of the present invention.

What is claimed is:

1. A guard for use in human interbody spinal surgery from across a disc space between two adjacent vertebral bodies, comprising:

a body having a leading end and an opposite trailing end, said body having a first portion and a second portion in pivotal relationship to one another proximate said leading end between an open position and a closed position, said first and second portions having opposed interior portions being at least in part flat, respectively, said first and second portions defining an opening for providing a protected pathway to the disc space and the adjacent vertebral bodies, said opposed interior portions being adapted to guide therethrough a bone removal device sized to form an implantation space across the disc space and at least in part into the adjacent vertebral bodies; and

at least one disc space penetrating extension extending from said leading end of said body adapted for insertion

at least in part into the disc space, said extension having a first portion extending from said first portion of said body, said first portion of said extension having a contact surface adapted to bear against one of the adjacent endplates of the adjacent vertebral bodies, said extension having a second portion extending from said second portion of said body, said second portion of said extension having a contact surface adapted to bear against the other of the adjacent endplates of the adjacent vertebral bodies, said contact surfaces of said first and second portions being in pivotal relationship to one another from an insertion position to a deployed position to move the adjacent vertebral bodies apart upon movement of said first and second portions of said body from the open position to the closed position, said contact surfaces of said first and second portions being pivotal about an axis that passes through at least a portion of the pathway to the disc space and the adjacent vertebral bodies.

2. The guard of claim **1**, wherein said opposed interior portions of said first and second portions of said body are parallel to one another when said body is in the closed position.

3. The guard of claim **1**, wherein said opposed interior portions of said first and second portions of said body are angled to one another when said body is in the open position.

4. The guard of claim **1**, wherein said opening defined by said first and second portions of said body is generally rectangular.

5. The guard of claim **1**, wherein said opening defined by said first and second portions of said body is generally square.

6. The guard of claim **1**, wherein said body has an exterior surface that has opposed upper and lower surfaces oriented toward the adjacent vertebral bodies, respectively, said upper and lower surfaces being at least in part flat.

7. The guard of claim **6**, wherein at least a portion of said upper and lower surfaces of said exterior surface are parallel to one another when said body is in the closed position.

8. The guard of claim **6**, wherein at least a portion of said upper and lower surfaces of said exterior surface are angled to one another when said body is in the open position.

9. The guard of claim **6**, wherein said exterior surface of said body has opposed side surfaces, said side surfaces being at least in part flat.

10. The guard of claim **9**, wherein said side surfaces of said exterior surface are parallel to one another.

11. The guard of claim **1**, wherein said body has an exterior surface that has a generally rectangular cross section along at least a portion of the length of said body.

12. The guard of claim **1**, wherein said body has an exterior surface that has a generally square cross section along at least a portion of the length of said body.

13. The guard of claim **1**, wherein said body has a generally rectangular cross section along at least a portion of the length of the guard.

14. The guard of claim **1**, wherein said body has a generally square cross section along at least a portion of the length of the guard.

15. The guard of claim **1**, wherein said first and second portions of said body cooperatively engage along the length of the body when in the closed position.

16. The guard of claim **1**, wherein said first and second portions of said body when in the closed position form a tube.

17. The guard of claim **1**, wherein said leading end of said body is adapted to conform at least in part to the exterior surface of the adjacent vertebral bodies.

15

18. The guard of claim 1, wherein said leading end of said body is cutback to permit the curvature of the two adjacent vertebral bodies to have an intimate fit between said body and the two adjacent vertebral bodies when said contact surfaces are in the deployed position.

19. The guard of claim 1, wherein said first and second portions of said extension touch one another when in the insertion position.

20. The guard of claim 1, wherein said extension has a height between said contact surfaces and a length sufficient to properly align and distance apart the adjacent vertebral bodies when in the deployed position.

21. The guard of claim 20, wherein said contact surfaces have a length greater than one half the depth of the disc space measured from the anterior to posterior aspect of the adjacent vertebral bodies.

22. The guard of claim 1, wherein said contact surfaces are parallel to each other along a substantial portion of the length thereof when in the insertion position.

23. The guard of claim 1, wherein said body has an external surface at its leading end and said extension has an external surface that is at least in part coextensive with said external surface of said body.

24. The guard of claim 1, wherein said extension has a tapered leading end to facilitate placement of said extension into the disc space when in the insertion position.

25. The guard of claim 1, further comprising at least a second disc space penetrating extension extending from said leading end of said body.

26. The guard of claim 25, wherein said extensions are diametrically opposed to each other and spaced apart from one another to provide access to the adjacent vertebral bodies from within the disc space.

27. The guard of claim 26, wherein said extensions have the same height.

28. The guard of claim 26, wherein said extensions have the same height at the same distance along their length from said body.

29. The guard of claim 1, wherein said contacting surfaces diverge away from said body along at least a portion of their length.

30. The guard of claim 1, wherein said body has at least one window adapted to permit portions of bone extending through said window to be removed by the bone removal device passing through said body.

31. The guard of claim 1, wherein said body has at least one window adapted to permit the surgeon to observe surgery through said window.

32. The guard of claim 1, wherein said first and second portions of said body are hinged to one another to rotatably articulate relative to one another.

33. The guard of claim 1, wherein said first and second portions of said body rotatably articulate relative to one another about an axis of rotation that is fixed relative to the mid-longitudinal axis of said guard when moved from the open position to the closed position.

34. The guard of claim 1, further comprising an impaction cap adapted to cooperatively engage said trailing end of said body when said body is in the open position.

35. The guard of claim 1, further comprising a lock adapted to cooperatively engage said body of said guard when said body is in the closed position to hold said body in the closed position.

36. The guard of claim 35, wherein said lock is a collar adapted to cooperatively engage said body of said guard when said body is in the closed position to hold said body in the closed position.

16

37. The guard of claim 36, wherein said collar cooperatively engages said trailing end of said body of said guard.

38. The guard of claim 1, wherein said body has an interior having a cooperating surface for guiding a corresponding cooperating surface on the bone removal device.

39. The guard of claim 1, wherein said body has a height in the range of 8–25 mm.

40. The guard of claim 1, wherein said opening defined by said first and second portions of said body has a height in the range of 8–20 mm.

41. The guard of claim 1, wherein said opening defined by said first and second portions of said body has a width in the range of 10–25 mm.

42. The guard of claim 1, wherein said extension has a combined height when closed in the range of 6–18 mm.

43. The guard of claim 1, wherein said extension has a length in the range of 12–32 mm.

44. The guard of claim 1, in combination with a bone removal device for forming through said guard an implantation space across the disc space.

45. The guard of claim 44, wherein said bone removal device is selected from the group consisting of a drill, a trephine, a reamer, an end mill, a chisel, a burr, a rongeur, an osteotome, and an abradar.

46. The guard of claim 44, wherein said bone removal device has a working end adapted for insertion into the spine, said working end having at least two cutters selected to create a predetermined surface contour into each of the adjacent vertebral bodies as said working end is moved.

47. The guard of claim 46, wherein said cutters are adapted to simultaneously create predetermined surface contours on the respective end plates of the adjacent vertebral bodies.

48. The guard of claim 46, wherein said working end includes a leading edge configured as a bone-cutting surface.

49. The guard of claim 46, wherein said cutters are configured to be generally parallel to the surface contour formed in the vertebral body as said working end is moved.

50. The guard of claim 44, wherein said bone removal device has a height in the range of 8–20 mm and a width in the range of 10–25 mm.

51. The guard of claim 1, in combination with an implant driver sized in part for passage through said opening for passing an implant through said guard and into the disc space.

52. The guard of claim 51, wherein said implant driver comprises a shaft adapted to engage the implant at one end and a handle for manipulating said implant driver at the other end of said shaft.

53. The guard of claim 1, in combination with a spinal implant adapted to be inserted in the implantation space formed through said guard.

54. The guard of claim 53, wherein said implant comprises at least one of bone and bone growth promoting material.

55. The guard of claim 54, wherein said bone growth promoting material is selected from one of bone, bone derived products, demineralized bone matrix, ossifying proteins, bone morphogenetic protein, hydroxyapatite, and genes coding for the production of bone.

56. The guard of claim 53, wherein said implant is in combination with a bone growth promoting material.

57. The guard of claim 56, wherein said bone growth promoting material is selected from one of bone, bone derived products, demineralized bone matrix, ossifying proteins, bone morphogenetic protein, hydroxyapatite, and genes coding for the production of bone.

17

58. The guard of claim 53, wherein said implant is treated with a bone growth promoting substance.

59. The guard of claim 53, wherein said implant comprises at least one of the following materials: metal, titanium, plastic, and ceramic appropriate for implantation in the human body.

60. The guard of claim 53, wherein said implant is at least in part resorbable.

61. The guard of claim 53, wherein said implant is formed of a porous material.

62. The guard of claim 53, in combination with a chemical substance adapted to inhibit scar formation.

63. The guard of claim 53, in combination with an antimicrobial material.

64. The guard of claim 1, in combination with an implant sized and shaped to at least in part match the space formed in the spine by the bone removal device.

65. The guard of claim 1, wherein the axis about which said contact surfaces pivot intersects the mid-longitudinal axis of said guard.

66. The guard of claim 1, wherein the axis about which said contact surfaces pivot is substantially perpendicular to the sagittal axis of the spine when said guard is engaged to the spine.

67. The guard of claim 1, wherein said extension has a height between said contact surfaces, said contact surfaces of said first and second portions being opposite one another along the height of said extension.

68. A guard for use in human interbody spinal surgery from across a disc space between two adjacent vertebral bodies, comprising:

a body having an opening for providing a protected pathway to the disc space and the adjacent vertebral bodies, said opening having at least in part opposed interior portions being at least in part flat adapted to guide therethrough a bone removal device sized to form an implantation space across the disc space and at least in part into the adjacent vertebral bodies; and

at least one disc space penetrating extension extending from said body adapted for insertion at least in part into the disc space, said disc penetrating extension having a first portion having a contact surface adapted to bear against one of the adjacent endplates of the adjacent vertebral bodies and a second portion having a contact surface adapted to bear against the other of the adjacent endplates of the adjacent vertebral bodies, said contact surfaces of said first and second portions being rotatably articulating relative to one another between an insertion position and a deployed position to move the adjacent vertebral bodies apart, said contact surfaces of said first and second portions being pivotal about an axis that passes through at least a portion of the pathway to the disc space and the adjacent vertebral bodies.

69. The guard of claim 68, wherein said opposed interior portions of said opening are parallel to one another.

70. The guard of claim 68, wherein said opposed interior portions of said opening are angled to one another.

71. The guard of claim 68, wherein said opening of said body is generally rectangular.

72. The guard of claim 68, wherein said opening of said body is generally square.

73. The guard of claim 68, wherein said body has an exterior surface that has opposed upper and lower surfaces oriented toward the adjacent vertebral bodies, respectively, said upper and lower surfaces being at least in part flat.

74. The guard of claim 73, wherein said exterior surface of said body has opposed side surfaces, said side surfaces being at least in part flat.

18

75. The guard of claim 74, wherein said side surfaces of said exterior surface are parallel to one another.

76. The guard of claim 68, wherein said body has an exterior surface that has a generally rectangular cross section along at least a portion of the length of said body.

77. The guard of claim 68, wherein said body has an exterior surface that has a generally square cross section along at least a portion of the length of said body.

78. The guard of claim 68, wherein said body has a generally rectangular cross section along at least a portion of the length of the guard.

79. The guard of claim 68, wherein said body has a generally square cross section along at least a portion of the length of the guard.

80. The guard of claim 68, wherein said body has a leading end adapted to conform at least in part to the exterior surface of the adjacent vertebral bodies.

81. The guard of claim 68, wherein said body has a leading end that is cutback to permit the curvature of the two adjacent vertebral bodies to have an intimate fit between said body and the two adjacent vertebral bodies when said contact surfaces are in the deployed position.

82. The guard of claim 68, wherein said first and second portions of said extension touch one another when in the insertion position.

83. The guard of claim 68, wherein said extension has a height between said contact surfaces and a length sufficient to properly align and distance apart the adjacent vertebral bodies when in the deployed position.

84. The guard of claim 83, wherein said contact surfaces have a length greater than one half the depth of the disc space measured from the anterior to posterior aspect of the adjacent vertebral bodies.

85. The guard of claim 68, wherein said contact surfaces are parallel to each other along a substantial portion of the length thereof when in the insertion position.

86. The guard of claim 68, wherein said body has an external surface and said extension has an external surface that is at least in part coextensive with said external surface of said body.

87. The guard of claim 68, wherein said extension has a tapered leading end to facilitate placement of said extension into the disc space when in the insertion position.

88. The guard of claim 68, further comprising at least a second disc space penetrating extension extending from said body.

89. The guard of claim 88, wherein said extensions are diametrically opposed to each other and spaced apart from one another to provide access to the adjacent vertebral bodies from within the disc space.

90. The guard of claim 89, wherein said extensions have the same height.

91. The guard of claim 89, wherein said extensions have the same height at the same distance along their length from said body.

92. The guard of claim 68, wherein said contacting surfaces diverge away from said body along at least a portion of their length.

93. The guard of claim 68, wherein said body has at least one window adapted to permit portions of bone extending through said window to be removed by the bone removal device passing through said body.

94. The guard of claim 68, wherein said body has at least one window adapted to permit the surgeon to observe the surgery through said window.

95. The guard of claim 68, wherein said first and second portions of said disc space penetrating extension are hinged to one another to rotatably articulate relative to one another.

96. The guard of claim 68, wherein said first and second portions of said disc space penetrating extension rotatably articulate relative to one another about an axis of rotation that is fixed relative to the mid-longitudinal axis of said guard when moved from the insertion position to the deployed position.

97. The guard of claim 68, further comprising an impaction cap adapted to cooperatively engage a trailing end of said body.

98. The guard of claim 68, wherein said body has an interior having a cooperating surface for guiding a corresponding cooperating surface on the bone removal device.

99. The guard of claim 68, wherein said body has a height in the range of 8–25 mm.

100. The guard of claim 68, wherein said opening of said body has height in the range of 8–20 mm.

101. The guard of claim 68, wherein said opening of said body has a width in the range of 10–25 mm.

102. The guard of claim 68, wherein said extension has a combined height when closed in the range of 6–18 mm.

103. The guard of claim 68, wherein said extension has a length in the range of 12–32 mm.

104. The guard of claim 68, in combination with a bone removal device for forming through said guard an implantation space across the disc space.

105. The guard of claim 104, wherein said bone removal device is selected from the group consisting of a drill, a trephine, a reamer, an end mill, a chisel, a burr, a rongeur, an osteotome, and an abrader.

106. The guard of claim 104, wherein said bone removal device has a height in the range of 8–20 mm and a width in the range of 10–25 mm.

107. The guard of claim 104, wherein said bone removal device has a working end adapted for insertion into the spine, said working end having at least two cutters selected to create a predetermined surface contour into each of the adjacent vertebral bodies as said working end is moved.

108. The guard of claim 107, wherein said cutters are adapted to simultaneously create predetermined surface contours on the respective end plates of the adjacent vertebral bodies.

109. The guard of claim 107, wherein said working end includes a leading edge configured as a bone-cutting surface.

110. The guard of claim 107, wherein said cutters are configured to be generally parallel to the surface contour formed in the vertebral body as said working end is moved.

111. The guard of claim 68, in combination with an implant driver sized in part for passage through said opening for passing an implant through said guard and into the disc space.

112. The guard of claim 111, wherein said implant driver comprises a shaft adapted to engage the implant at one end

and a handle for manipulating said implant driver at the other end of said shaft.

113. The guard of claim 68, in combination with an implant sized and shaped to at least in part match the space formed in the spine by the bone removal device.

114. The guard of claim 68, in combination with a spinal implant adapted to be inserted in the implantation space formed through said guard.

115. The guard of claim 114, wherein said implant comprises at least one of bone and bone growth promoting material.

116. The guard of claim 115, wherein said bone growth promoting material is selected from one of bone, bone derived products, demineralized bone matrix, ossifying proteins, bone morphogenetic protein, hydroxyapatite, and genes coding for the production of bone.

117. The guard of claim 114, wherein said implant is in combination with a bone growth promoting material.

118. The guard of claim 117, wherein said bone growth promoting material is selected from one of bone, bone derived products, demineralized bone matrix, ossifying proteins bone morphogenetic protein, hydroxyapatite, and genes coding for the production of bone.

119. The guard of claim 114, wherein said implant is treated with a bone growth promoting substance.

120. The guard of claim 114, wherein said implant comprises at least one of the following materials: metal, titanium, plastic, and ceramic appropriate for implantation in the human body.

121. The guard of claim 114, wherein said implant is at least in part resorbable.

122. The guard of claim 114, wherein said implant is formed of a porous material.

123. The guard of claim 114, in combination with a chemical substance adapted to inhibit scar formation.

124. The guard of claim 114, in combination with an antimicrobial material.

125. The guard of claim 68, wherein the axis about which said contact surfaces pivot intersects the mid-longitudinal axis of said guard.

126. The guard of claim 68, wherein the axis about which said contact surfaces pivot is substantially perpendicular to the saggital axis of the spine when said guard is engaged to the spine.

127. The guard of claim 68, wherein said extension has a height between said contact surfaces, said contact surfaces of said first and second portions being opposite one another along the height of said extension.

UNITED STATES PATENT AND TRADEMARK OFFICE
CERTIFICATE OF CORRECTION

PATENT NO. : 6,986,772 B2
DATED : January 17, 2006
INVENTOR(S) : Gary K. Michelson

Page 1 of 1

It is certified that error appears in the above-identified patent and that said Letters Patent is hereby corrected as shown below:

Column 16,

Line 66, change "teins bone" to -- teins, bone --.

Column 17,

Line 52, change "leas" to -- least --.

Column 18,

Line 19, change "cutback" to -- cut back --.

Column 19,

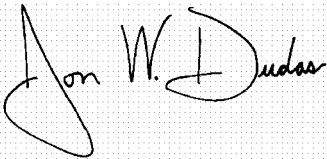
Line 16, after "has" insert -- a --.

Column 20,

Line 22, change "teins bone" to -- teins, bone --.

Signed and Sealed this

Second Day of May, 2006

A handwritten signature in black ink on a dotted background. The signature reads "Jon W. Dudas" in a cursive style. The "J" is large and loops around the "on". The "W" is written with two distinct peaks. The "Dudas" part is also cursive, with the "D" being particularly large and prominent.

JON W. DUDAS

Director of the United States Patent and Trademark Office