



US00D460189S

(12) **United States Design Patent**
Michelson

(10) **Patent No.:** **US D460,189 S**
(45) **Date of Patent:** **** Jul. 9, 2002**

(54) **TRAILING END OF A SPINAL IMPLANT**

(76) **Inventor:** **Gary K. Michelson**, 438 Sherman Canal, Venice, CA (US) 90291

(**) **Term:** **14 Years**

(21) **Appl. No.:** **29/155,186**

(22) **Filed:** **Jan. 30, 2002**

5,015,247 A	5/1991	Michelson
D377,095 S	12/1996	Michelson
D377,096 S	12/1996	Michelson
5,776,196 A	7/1998	Matsuzaki et al.
D397,439 S	8/1998	Koros et al.
5,860,973 A	1/1999	Michelson
6,019,763 A *	2/2000	Nakamura et al. 606/77
6,019,792 A	2/2000	Cauthen
D425,989 S	5/2000	Michelson
6,217,579 B1	4/2001	Koros

Related U.S. Application Data

(62) Division of application No. 29/151,251, filed on Oct. 31, 2001, which is a division of application No. 29/141,974, filed on May 16, 2001, now Pat. No. Des. 454,197, which is a division of application No. 29/130,269, filed on Sep. 28, 2000, now Pat. No. Des. 442,691, which is a division of application No. 29/115,228, filed on Dec. 9, 1999, now Pat. No. Des. 437,055.

- (51) **LOC (7) Cl.** **24-03**
- (52) **U.S. Cl.** **D24/155**
- (58) **Field of Search** D24/155; 128/92 R, 128/926; 134/3, 32, 41; 606/60, 61, 72, 73; 623/10-12, 16, 17, 66

References Cited

U.S. PATENT DOCUMENTS

- 4,501,269 A 2/1985 Bagby
- 4,704,126 A 11/1987 Baswell et al.

* cited by examiner

Primary Examiner—Antoine Duval Davis

(74) *Attorney, Agent, or Firm*—Martin & Ferraro, LLP

(57) **CLAIM**

The ornamental design for a trailing end of a spinal implant, as shown and described.

DESCRIPTION

FIG. 1 is a perspective view of the trailing end of a spinal implant in accordance with an embodiment of my claimed design with the remainder of the implant shown in hidden line and forming no part of the claimed design; FIG. 2 is an end view of FIG. 1; and, FIG. 3 is a side elevational view of FIG. 1 with the remainder of the implant shown in hidden line and forming no part of the claimed design.

1 Claim, 1 Drawing Sheet

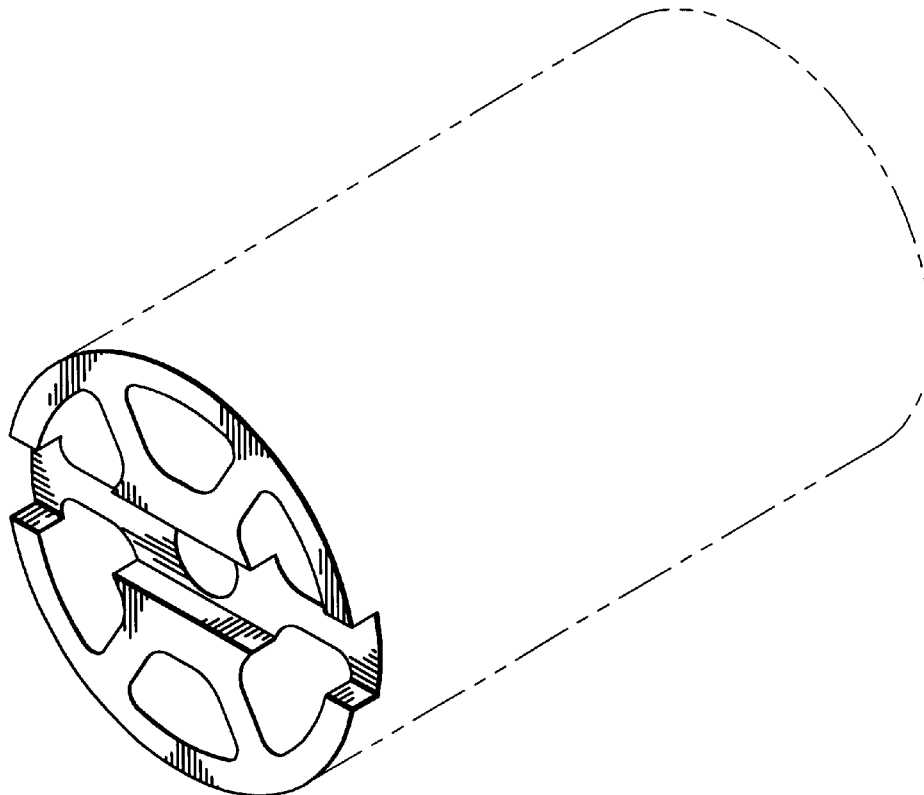


FIG. 1

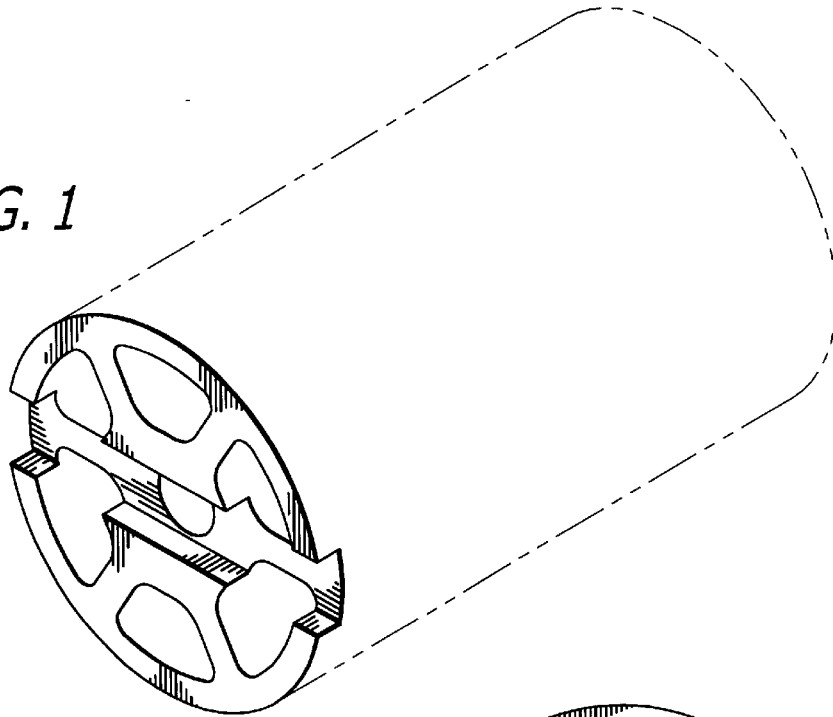


FIG. 2

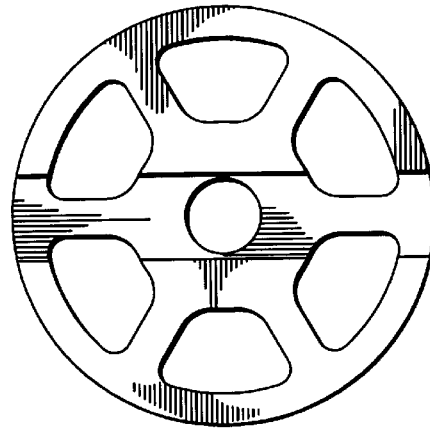


FIG. 3

