



US00D460188S

(12) **United States Design Patent**  
**Michelson**

(10) **Patent No.:** **US D460,188 S**  
(45) **Date of Patent:** **\*\* Jul. 9, 2002**

(54) **END CAP FOR A SPINAL IMPLANT**

(76) **Inventor:** **Gary K. Michelson**, 438 Sherman Canal, Venice, CA (US) 90291

(\*\*) **Term:** **14 Years**

(21) **Appl. No.:** **29/151,252**

(22) **Filed:** **Oct. 31, 2001**

**Related U.S. Application Data**

(62) Division of application No. 29/146,202, filed on Aug. 6, 2001, which is a division of application No. 29/133,395, filed on Nov. 29, 2000, now Pat. No. Des. 450,122, which is a division of application No. 29/116,468, filed on Jan. 3, 2000, now Pat. No. Des. 439,340.

- (51) **LOC (7) Cl.** ..... **24-03**
- (52) **U.S. Cl.** ..... **D24/155**
- (58) **Field of Search** ..... D24/135, 155;  
606/60, 69, 72, 220

(56) **References Cited**

**U.S. PATENT DOCUMENTS**

- 4,501,269 A 2/1985 Bagby
- 4,961,740 A 10/1990 Ray et al.

(List continued on next page.)

*Primary Examiner*—Antoine Duval Davis  
(74) *Attorney, Agent, or Firm*—Martin & Ferraro, LLP

(57) **CLAIM**

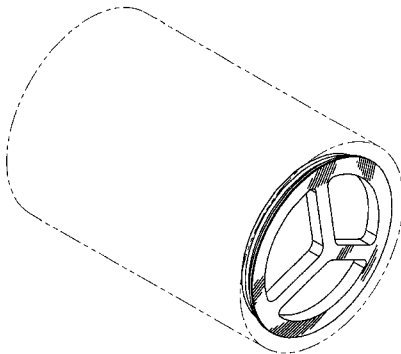
The design for an end cap for a spinal implant, substantially as shown and described.

**DESCRIPTION**

FIG. 1 is a perspective view of the end cap for a spinal implant in accordance with a first embodiment of my claimed design with the remainder of the implant shown in hidden line and forming no part of the claimed design; FIG. 2 is an exterior end view of the end cap of FIG. 1; FIG. 3 is an interior end view of the end cap of FIG. 1; FIG. 4 is a side elevational view of the end cap of FIG. 1; FIG. 5 is an interior end view of an alternative embodiment of the end cap of FIG. 1; FIG. 6 is a side elevational view of an alternative embodiment of either of the end cap of FIG. 1; FIG. 7 is a perspective view of the end cap for a spinal implant in accordance with a second embodiment of my claimed design with the remainder of the implant shown in hidden line and forming no part of the claimed design;

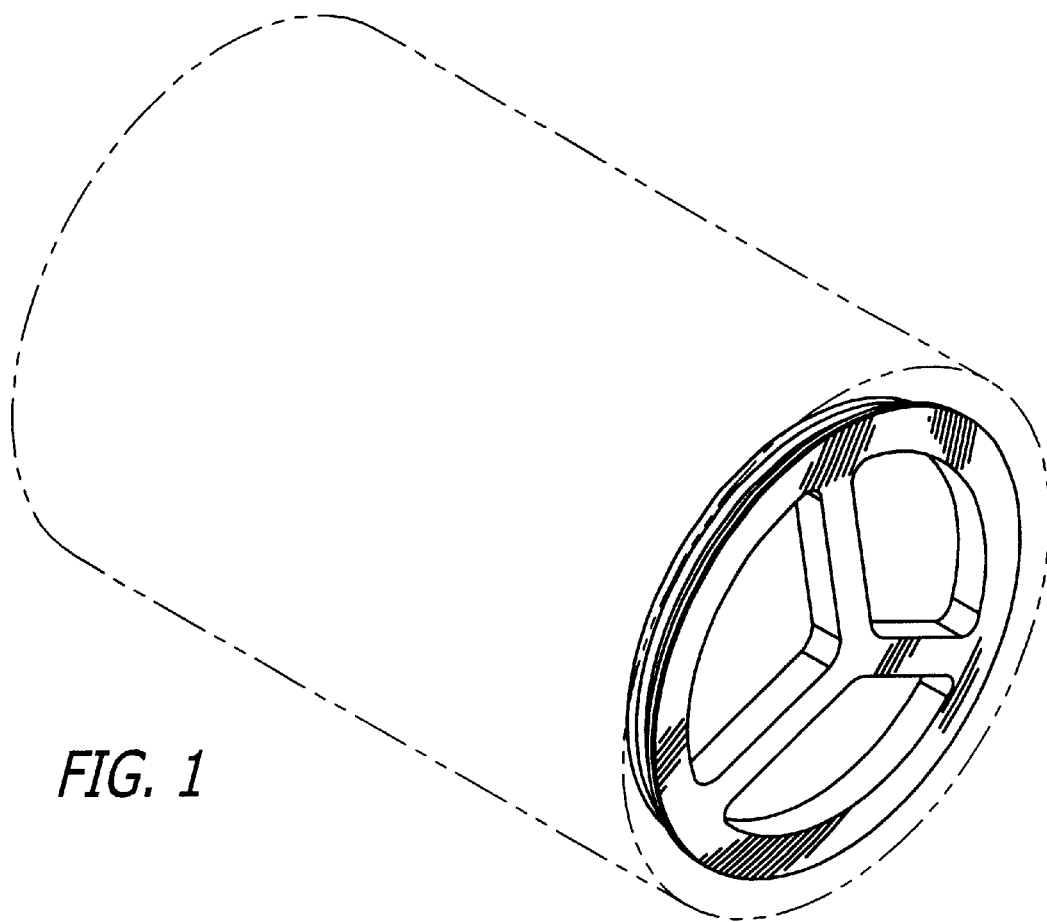
FIG. 8 is an exterior end view of the end cap of FIG. 7; FIG. 9 is an interior end view of the end cap of FIG. 7; FIG. 10 is a side elevational view of the end cap of FIG. 7; FIG. 11 is an interior end view of an alternative embodiment of the end cap of FIG. 7; FIG. 12 is a side elevational view of an alternative embodiment of the end cap of FIG. 7; FIG. 13 is a perspective view of the end cap for a spinal implant in accordance with a third embodiment of my claimed design with the remainder of the implant shown in hidden line and forming no part of the claimed design; FIG. 14 is an exterior end view of the end cap of FIG. 13; FIG. 15 is an interior end view of the end cap of FIG. 13; FIG. 16 is a side elevational view of the end cap of FIG. 13; FIG. 17 is an interior end view of an alternative embodiment of the end cap of FIG. 13; FIG. 18 is a side elevational view of an alternative embodiment of the end cap of FIG. 13; FIG. 19 is a perspective view of the end cap for a spinal implant in accordance with a fourth embodiment of my claimed design with the remainder of the implant shown in hidden line and forming no part of the claimed design; FIG. 20 is an exterior end view of the end cap of FIG. 19; FIG. 21 is an interior end view of the end cap of FIG. 19; FIG. 22 is a side elevational view of the end cap of FIG. 19; FIG. 23 is an interior end view of an alternative embodiment of the end cap of FIG. 19; FIG. 24 is a side elevational view of an alternative embodiment of the end cap of FIG. 19; FIG. 25 is a perspective view of the end cap for a spinal implant in accordance with a fifth embodiment of my claimed design with the remainder of the implant shown in hidden line and forming no part of the claimed design; FIG. 26 is an exterior end view of the end cap of FIG. 25; FIG. 27 is an interior end view of the end cap of FIG. 25; FIG. 28 is a side elevational view of the end cap of FIG. 25; FIG. 29 is an interior end view of an alternative embodiment of the end cap of FIG. 25; FIG. 30 is a side elevational view of an alternative embodiment of the end cap of FIG. 25; FIG. 31 is a perspective view of the end cap for a spinal implant in accordance with a sixth embodiment of my claimed design with the remainder of the implant shown in hidden line and forming no part of the claimed design; FIG. 32 is an exterior end view of the end cap of FIG. 31; FIG. 33 is an interior end view of the end cap of FIG. 31; FIG. 34 is a side elevational view of the end cap of FIG. 31; FIG. 35 is an interior end view of an alternative embodiment of the end cap of FIG. 31; and, FIG. 36 is a side elevational view of an alternative embodiment of the end cap of FIG. 31.

**1 Claim, 12 Drawing Sheets**



## U.S. PATENT DOCUMENTS

5,026,373 A	6/1991	Ray et al.	D397,439 S	8/1998	Koros et al.
5,522,899 A	6/1996	Michelson	6,019,763 A	2/2000	Nakamura et al.
D374,482 S	10/1996	Goble et al.	D425,989 S	5/2000	Michelson
B14,961,740 A	1/1997	Ray et al.	6,093,201 A	7/2000	Cooper et al.
5,776,196 A	7/1998	Matsuzaki et al.	6,179,839 B1	1/2001	Weiss et al.
			RE37,161 E	5/2001	Michelson et al.

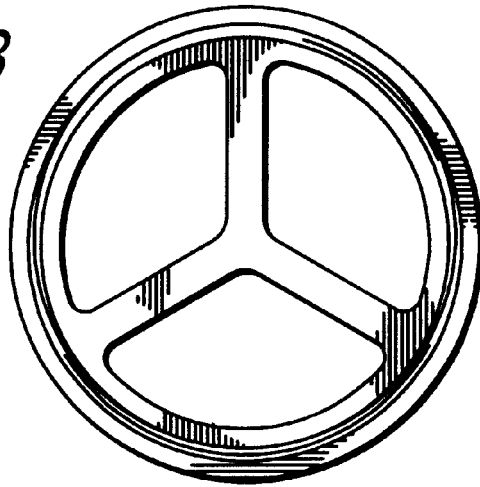


*FIG. 1*



*FIG. 2*

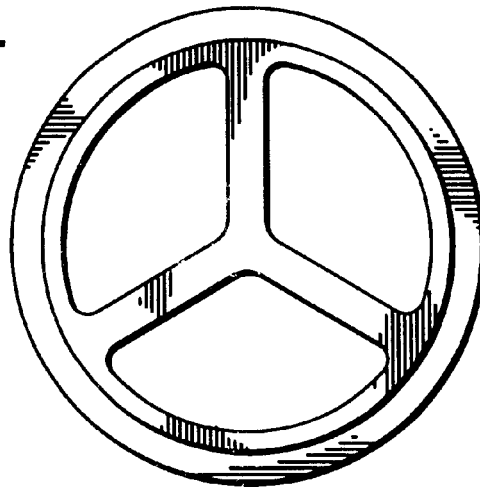
*FIG. 3*



*FIG. 4*

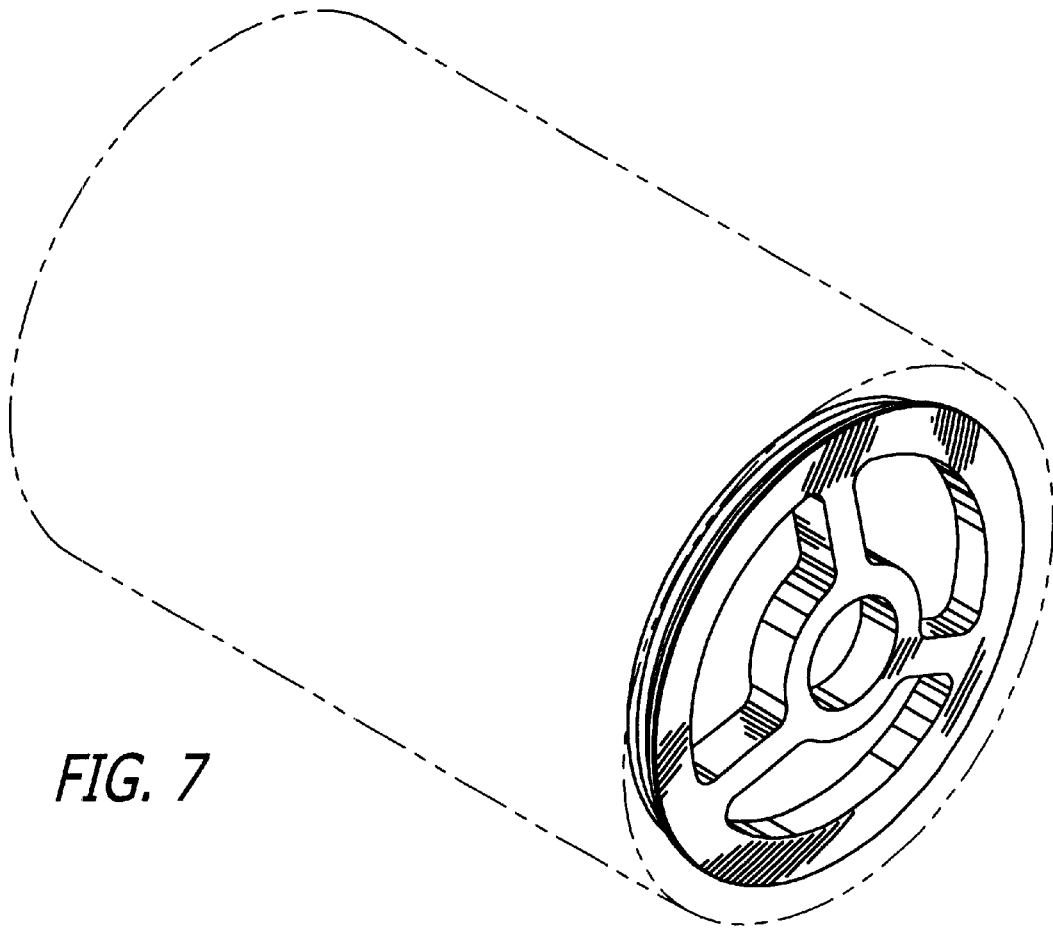


*FIG. 5*

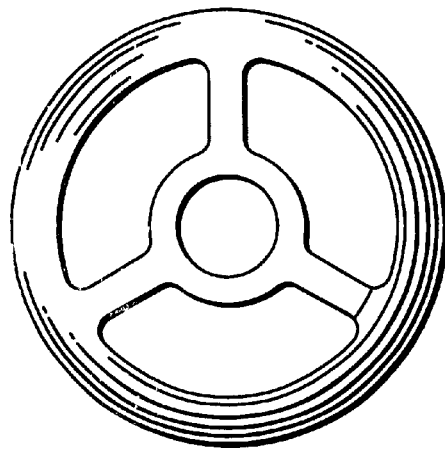


*FIG. 6*



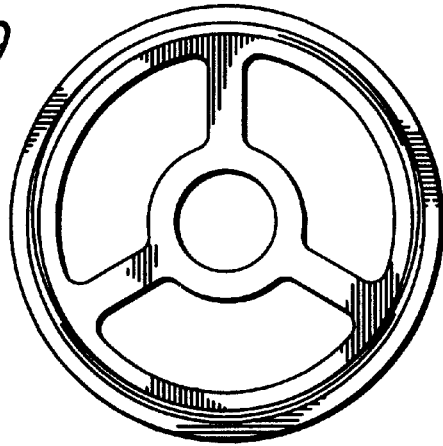


*FIG. 7*



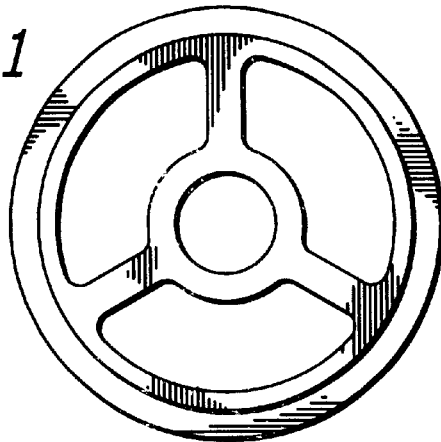
*FIG. 8*

*FIG. 9*

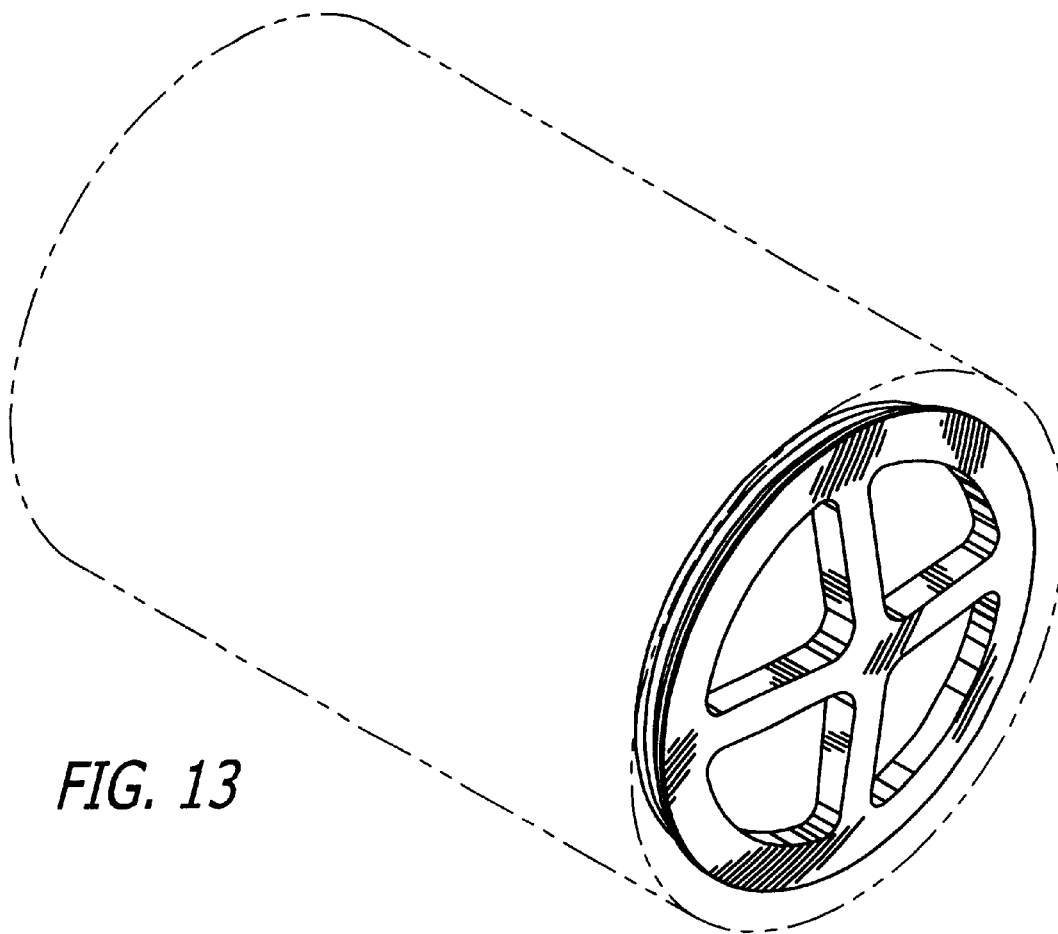


*FIG. 10*

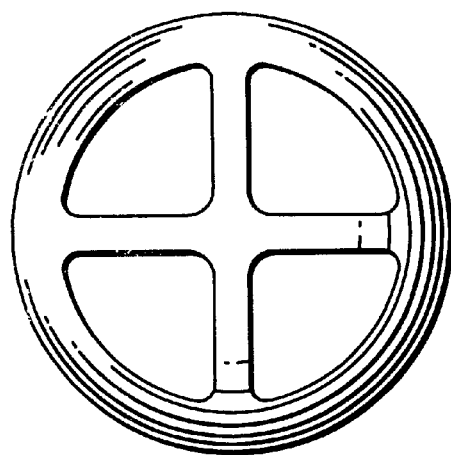
*FIG. 11*



*FIG. 12*

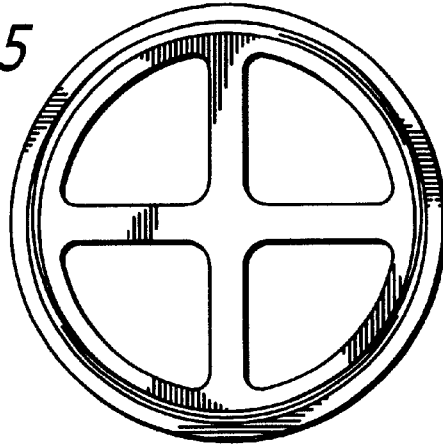


*FIG. 13*



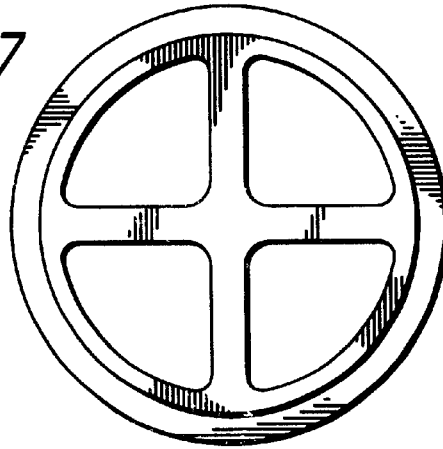
*FIG. 14*

*FIG. 15*



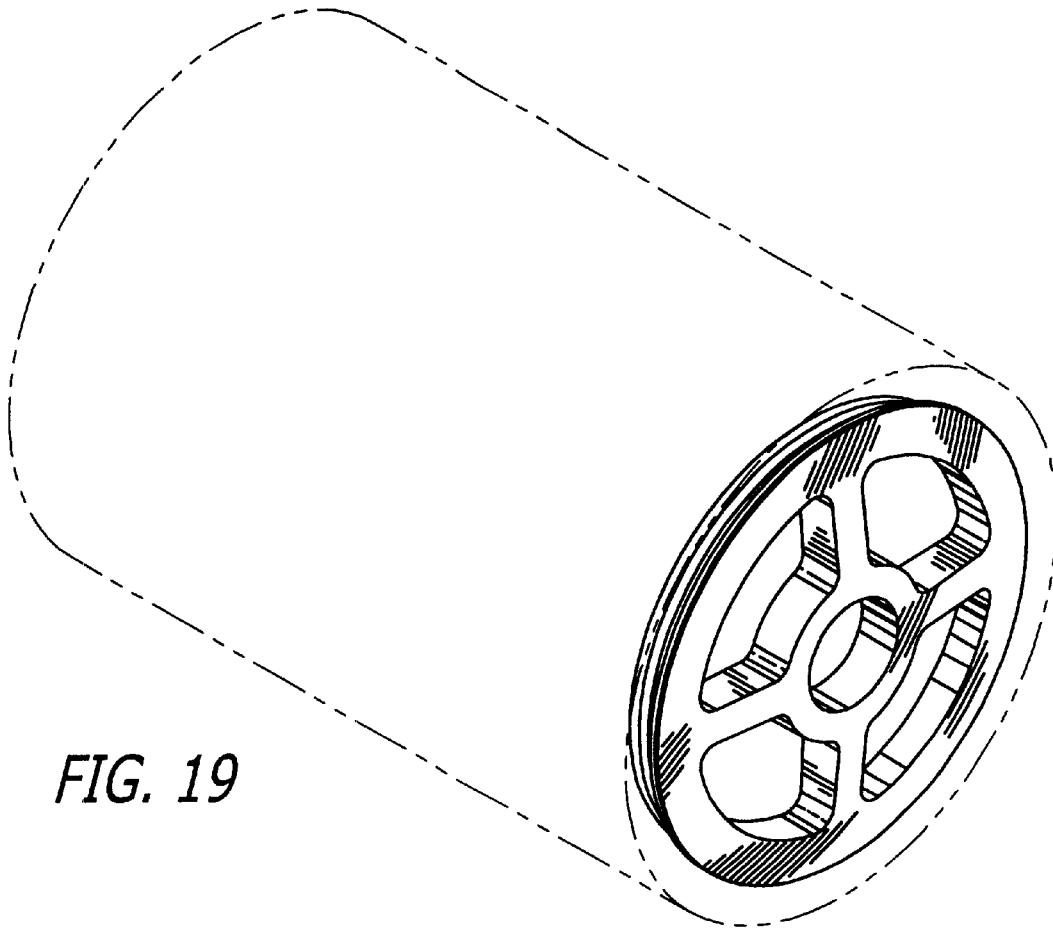
*FIG. 16*

*FIG. 17*

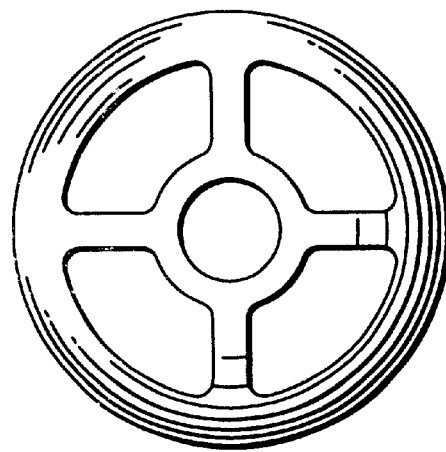


*FIG. 18*



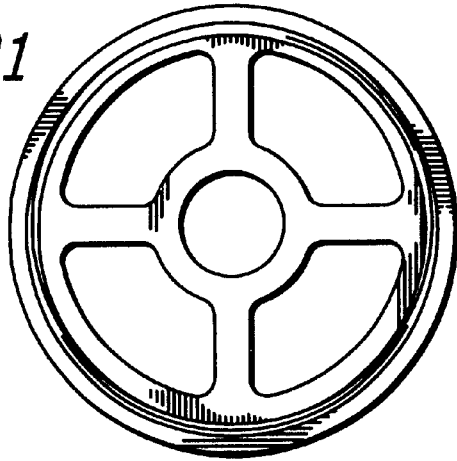


*FIG. 19*



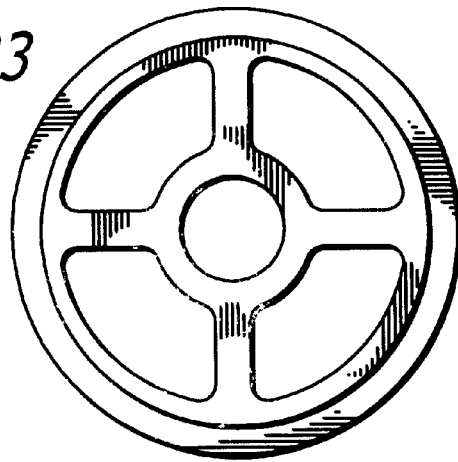
*FIG. 20*

*FIG. 21*

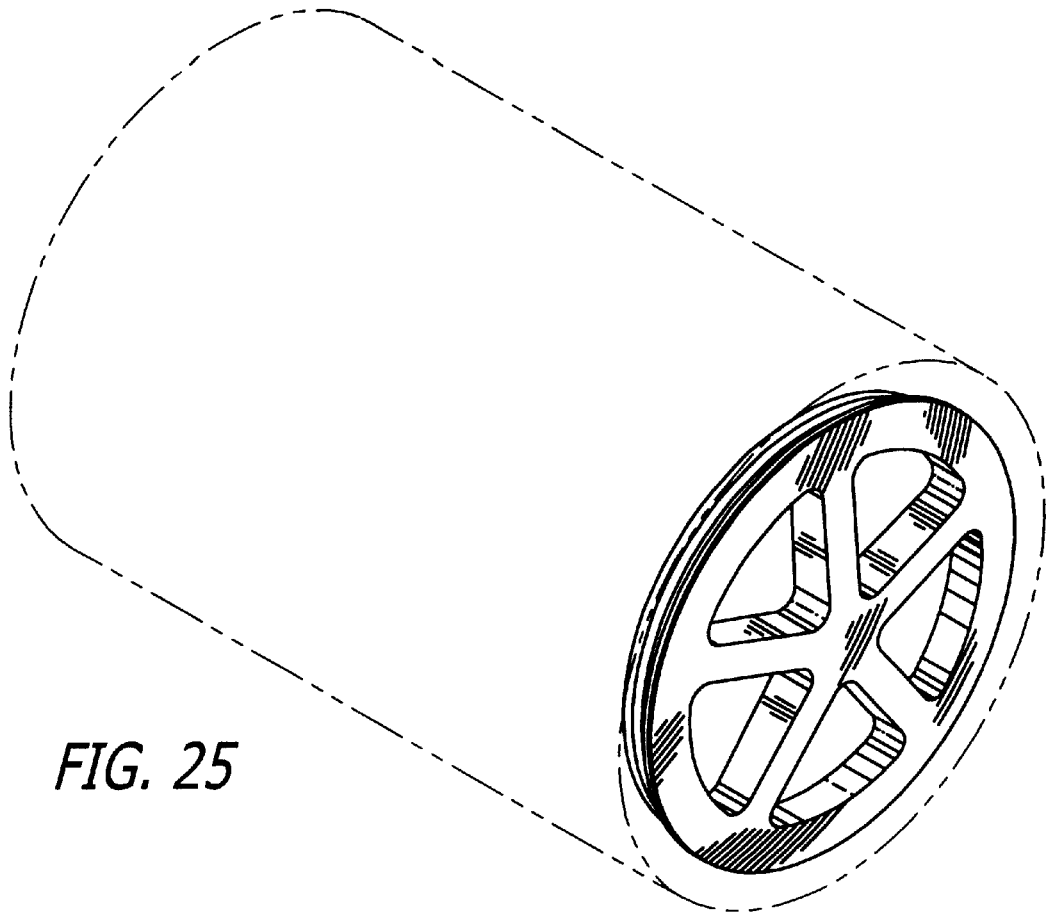


*FIG. 22*

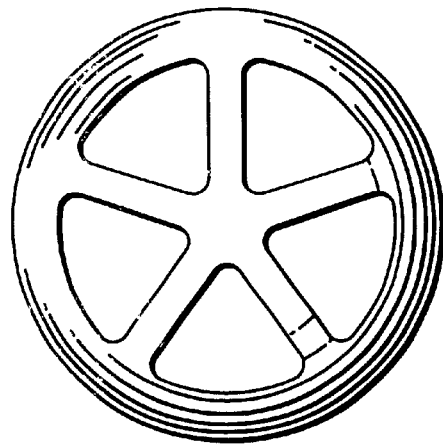
*FIG. 23*



*FIG. 24*

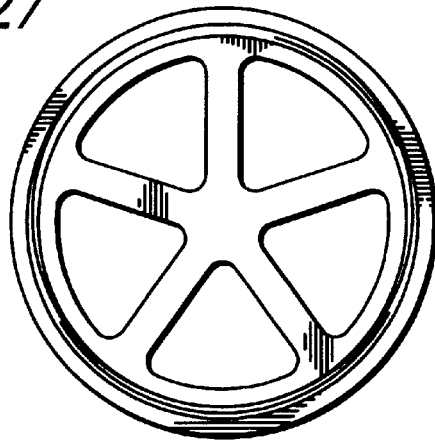


*FIG. 25*



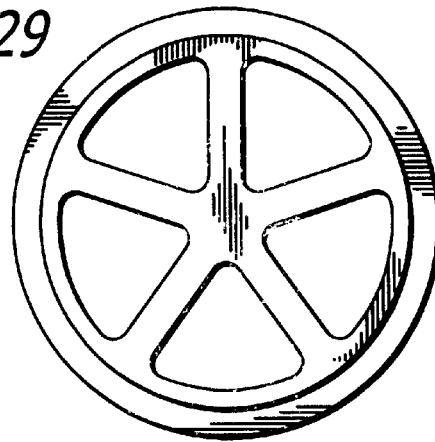
*FIG. 26*

*FIG. 27*

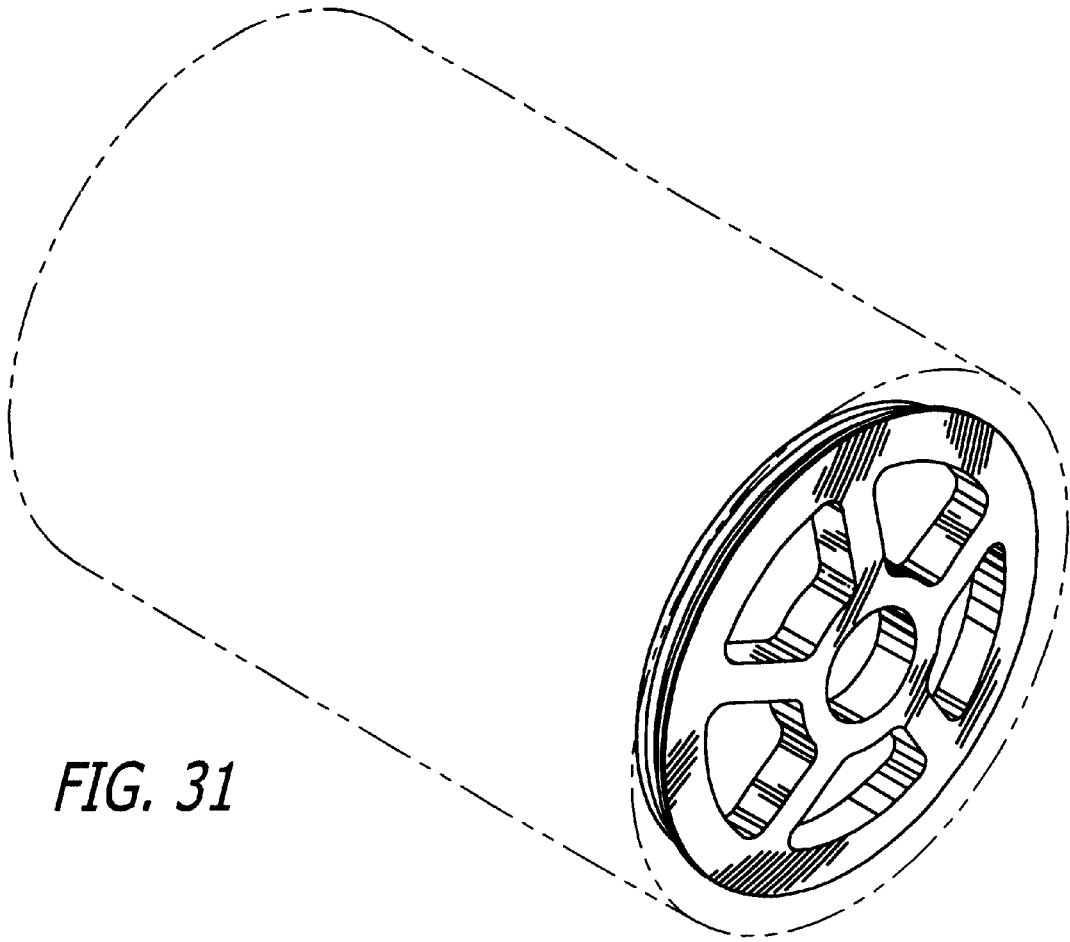


*FIG. 28*

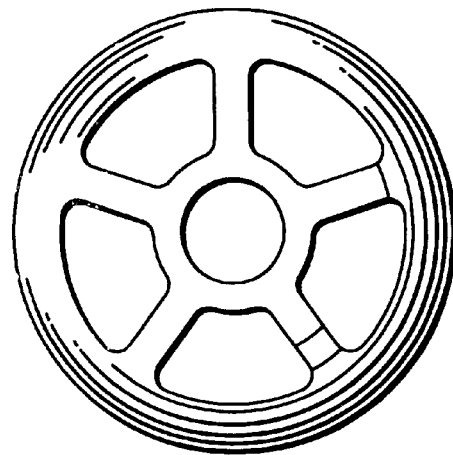
*FIG. 29*



*FIG. 30*

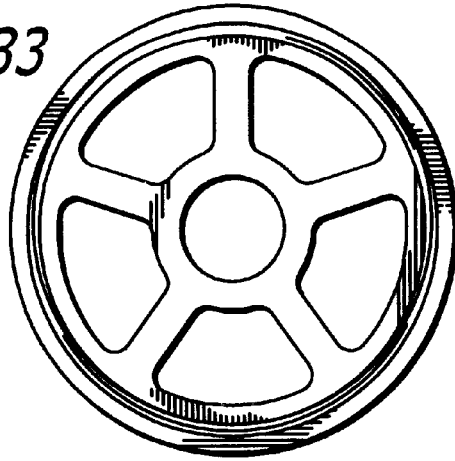


*FIG. 31*



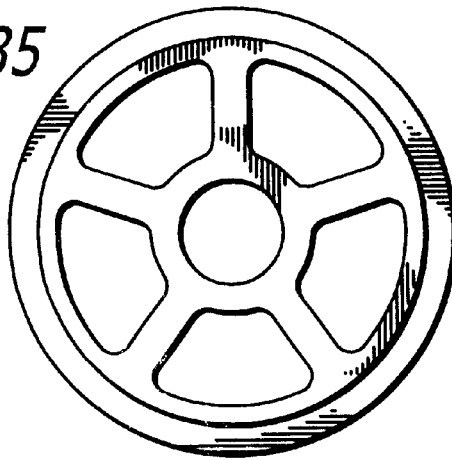
*FIG. 32*

*FIG. 33*



*FIG. 34*

*FIG. 35*



*FIG. 36*