



US00D457242S

(12) **United States Design Patent**
Michelson

(10) **Patent No.:** **US D457,242 S**
(45) **Date of Patent:** **** May 14, 2002**

(54) **TRAILING END OF A SPINAL IMPLANT**

(76) **Inventor:** **Gary K. Michelson**, 438 Sherman Canal, Venice, CA (US) 90291

(**) **Term:** **14 Years**

(21) **Appl. No.:** **29/151,251**

(22) **Filed:** **Oct. 31, 2001**

Related U.S. Application Data

(62) Division of application No. 29/141,974, filed on May 16, 2001, which is a division of application No. 29/130,269, filed on Sep. 28, 2000, now Pat. No. Des. 442,691, which is a division of application No. 29/115,228, filed on Dec. 9, 1999, now Pat. No. Des. 437,055.

(51) **LOC (7) Cl.** **24-03**

(52) **U.S. Cl.** **D24/155**

(58) **Field of Search** D24/155; 606/60, 606/61, 72, 73; 134/3, 32, 41; 128/92 R, 926; 623/17.4, 17.6

(56) **References Cited**

U.S. PATENT DOCUMENTS

4,501,269 A	2/1985	Bagby
4,704,126 A	11/1987	Baswell et al.
5,015,247 A	5/1991	Michelson
D377,095 S	12/1996	Michelson

D377,096 S	12/1996	Michelson	
5,776,196 A	7/1998	Matsuzaki et al.	
D397,439 S	8/1998	Koros et al.	
5,860,973 A	1/1999	Michelson	
6,019,792 A	2/2000	Cauthen	
D425,989 S	5/2000	Michelson	
6,217,579 B1 *	4/2001	Koros	606/61

* cited by examiner

Primary Examiner—Antoine Duval Davis
(74) *Attorney, Agent, or Firm*—Martin & Ferraro, LLP

(57) **CLAIM**

The ornamental design for a trailing end of a spinal implant, substantially as shown and described.

DESCRIPTION

FIG. 1 is a perspective view of the trailing end of a spinal implant in accordance with a eighth embodiment of my claimed design with the remainder of the implant shown in hidden line and forming no part of the claimed design; FIG. 2 is an end view of FIG. 1; and, FIG. 3 is a side elevational view of FIG. 1 with the remainder of the implant shown in hidden line and forming no part of the claimed design. The broken line showing is for illustrative purposes only and forms no part of the claimed design.

1 Claim, 1 Drawing Sheet

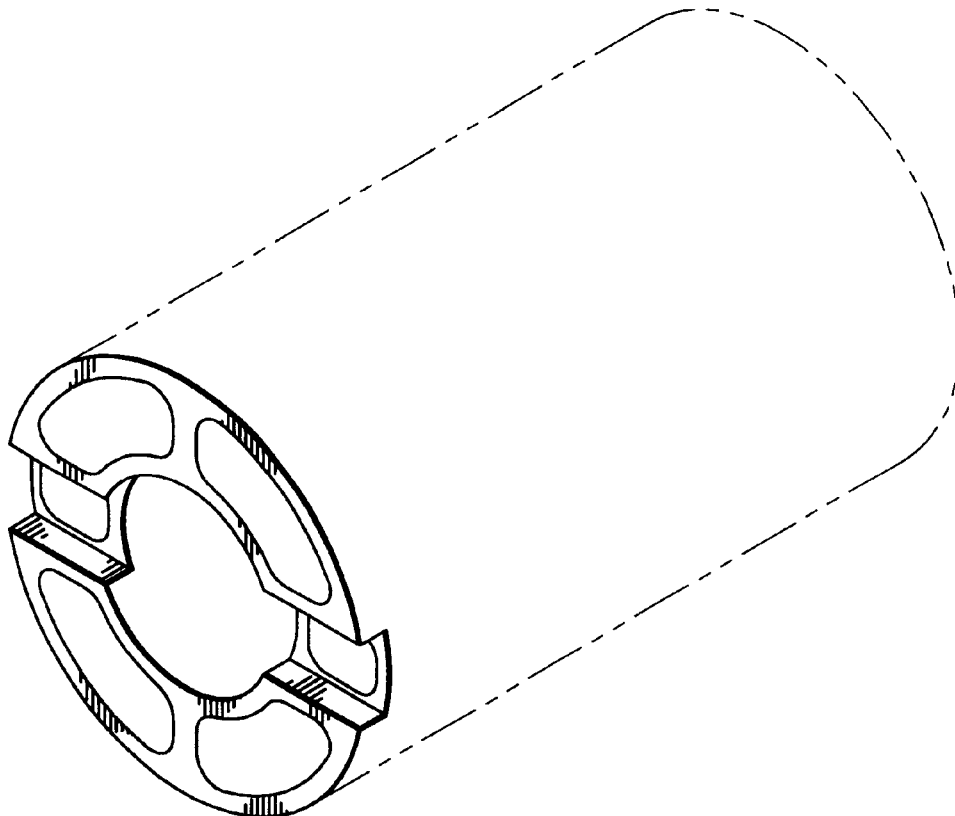


FIG. 1

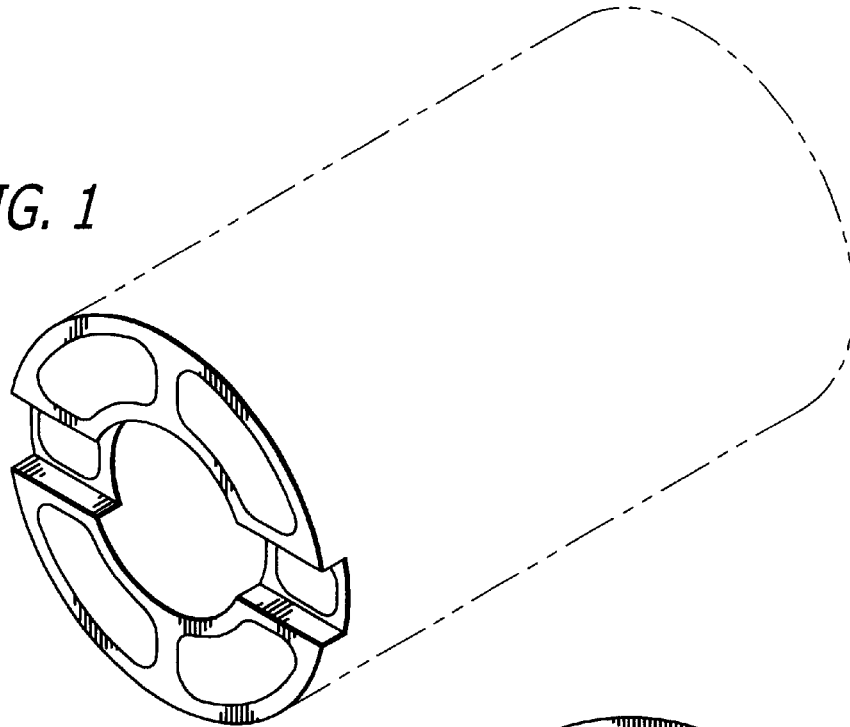


FIG. 2

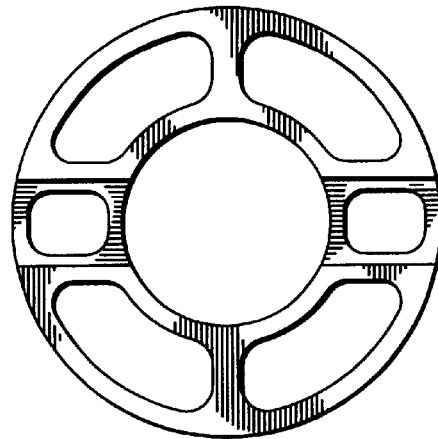


FIG. 3

