



US007115143B1

(12) **United States Patent**
Michelson

(10) **Patent No.:** **US 7,115,143 B1**
(45) **Date of Patent:** **Oct. 3, 2006**

(54) **ORTHOPEDIC IMPLANT SURFACE CONFIGURATION**

4,955,907 A	*	9/1990	Ledergerber	623/8
5,019,107 A		5/1991	Schelhas	
5,258,031 A		11/1993	Salib et al.	
5,306,308 A		4/1994	Gross et al.	
5,425,772 A		6/1995	Brantigan	

(75) Inventor: **Gary K. Michelson**, Venice, CA (US)

(73) Assignee: **SDGI Holdings, Inc.**, Wilmington, DE (US)

(Continued)

(*) Notice: Subject to any disclaimer, the term of this patent is extended or adjusted under 35 U.S.C. 154(b) by 0 days.

EP	0 637 440	2/1995
RU	1 107 854	8/1984
WO	WO 98/58604	12/1998

FOREIGN PATENT DOCUMENTS

(21) Appl. No.: **09/572,518**

(22) Filed: **May 17, 2000**

Related U.S. Application Data

(63) Continuation-in-part of application No. 09/457,228, filed on Dec. 8, 1999.

(51) **Int. Cl.**
A61F 2/28 (2006.01)
A61F 2/36 (2006.01)

(52) **U.S. Cl.** **623/16.11**; 623/17.11;
623/18.11; 623/20.14; 623/22.32; 623/23.29;
606/60; 606/69

(58) **Field of Classification Search** 623/16.11,
623/17.11, 18.11, 20.14, 22.32, 23.26, 23.29,
623/23.5, 23.3, 23.31, 17.111, 22.21; 606/60,
606/61, 69-72

See application file for complete search history.

(56) **References Cited**

U.S. PATENT DOCUMENTS

4,349,921 A	9/1982	Kuntz	
4,531,244 A	* 7/1985	Hamas	623/8
4,673,409 A	* 6/1987	Van Kampen	623/23.29
4,795,472 A	* 1/1989	Crowninshield et al.	623/23.29
4,834,757 A	5/1989	Brantigan	
4,865,603 A	* 9/1989	Noiles	623/23.5
4,944,763 A	* 7/1990	Willert et al.	623/23.29

OTHER PUBLICATIONS

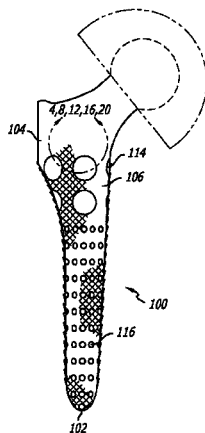
U.S. Appl. No. 09/457,228, filed Dec. 9, 1999.
U.S. Appl. No. 09/921,851, filed Aug. 3, 2001, Publication/
Patent No. 2002/0013624.

Primary Examiner—David J. Isabella
(74) *Attorney, Agent, or Firm*—Martin & Ferraro, LLP

(57) **ABSTRACT**

The present invention is a specialized orthopedic implant having an exterior surface for engaging bone. The surface comprises arrayed projections having at least one forward facing facet directed at least in part toward the leading end of the implant and at least one rearward portion directed at least in part toward the opposite trailing end of the implant. Each of the forward facet and rearward portion has a length and a slope. The length of the forward facet is longer than the length of the rearward facet. The slope of the rearward facet is steeper than the slope of the forward facet. The surface projections also have opposed side facets directed generally toward the sides of the implant. The side facets are located between the forward facet and rearward facet and converge toward each other in a direction away from the base of the surface projections. The surface may also include projections having left and right forward side facets and a rearward facet. The surface further may include projections having left and right rearward side facets and a forward facet.

156 Claims, 7 Drawing Sheets



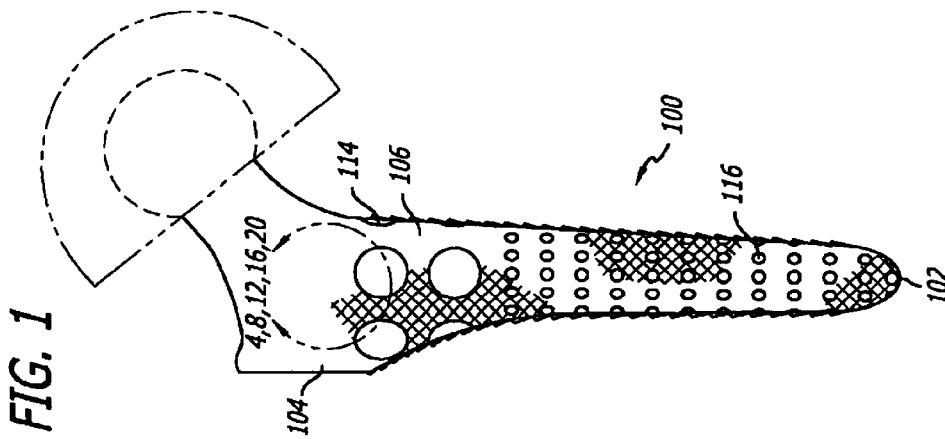
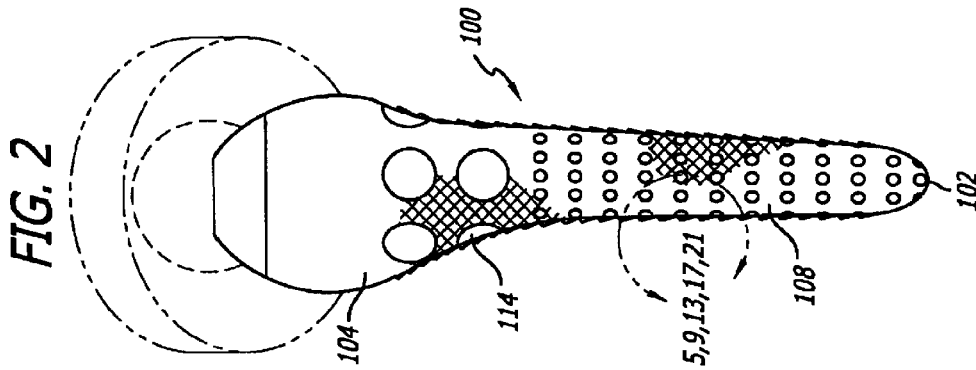
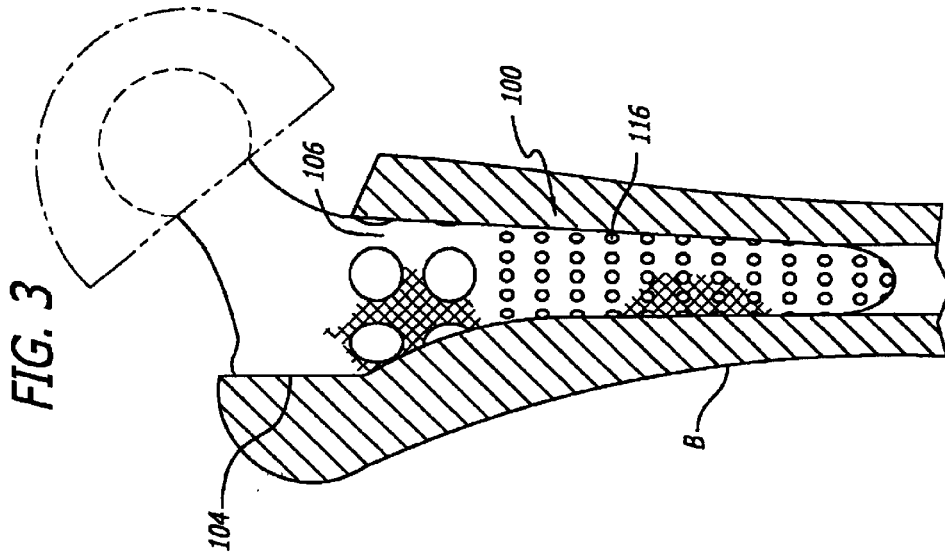
US 7,115,143 B1

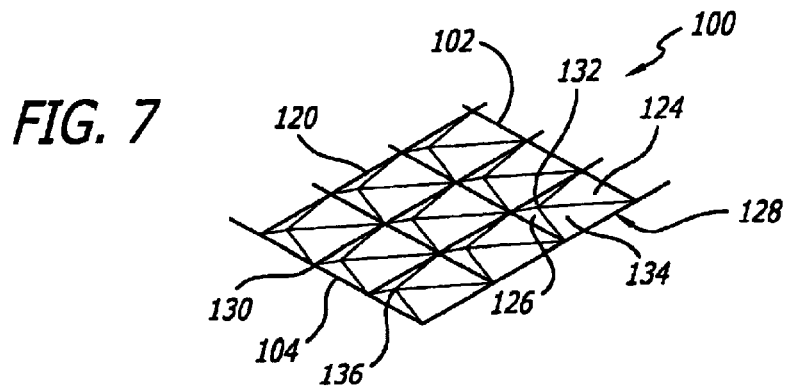
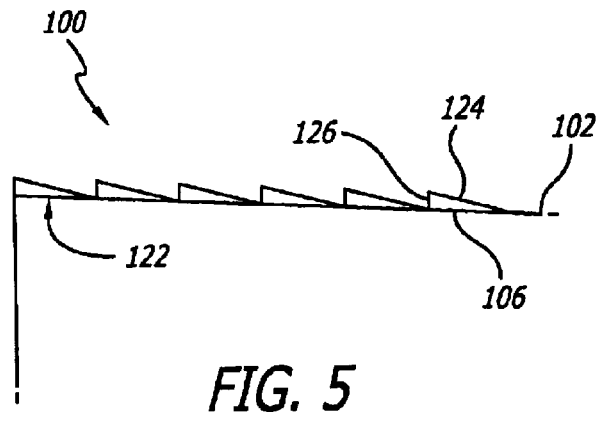
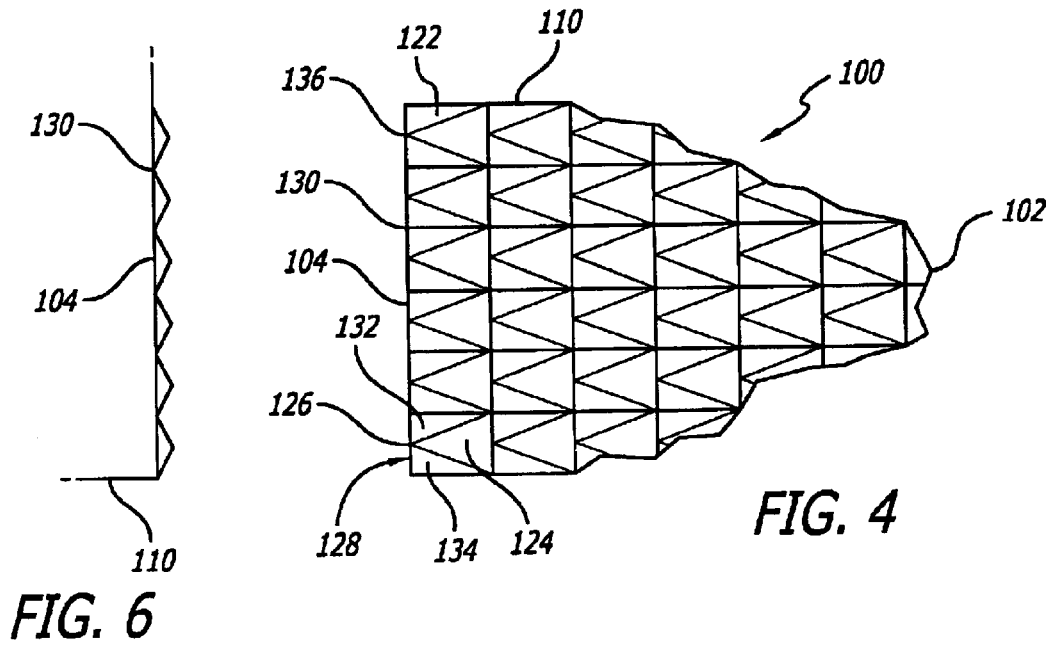
Page 2

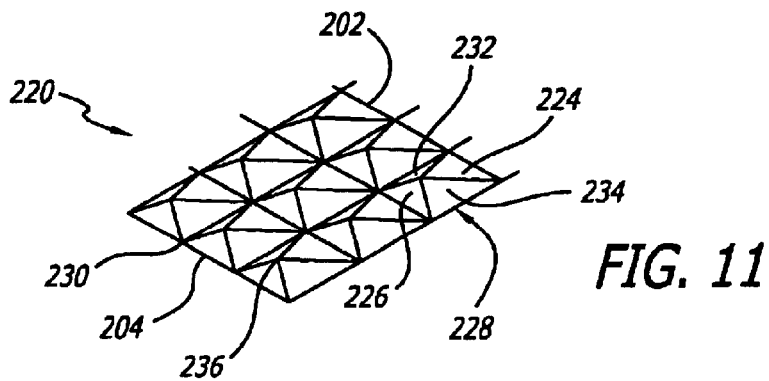
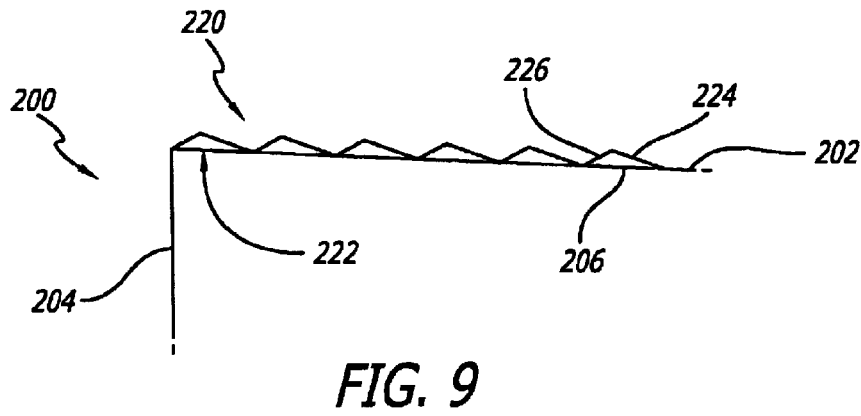
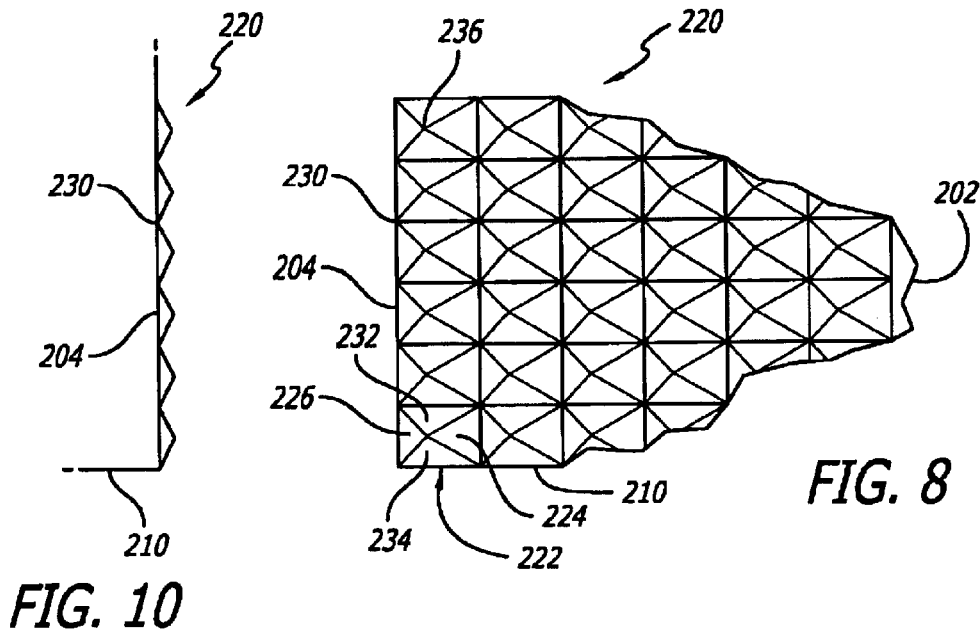
U.S. PATENT DOCUMENTS

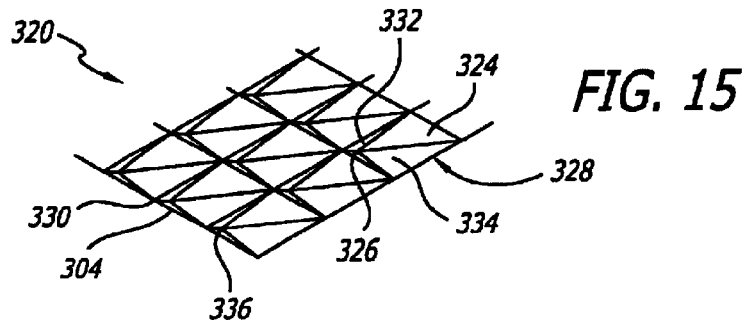
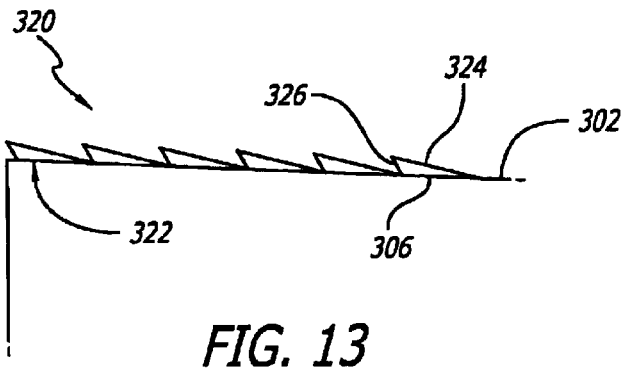
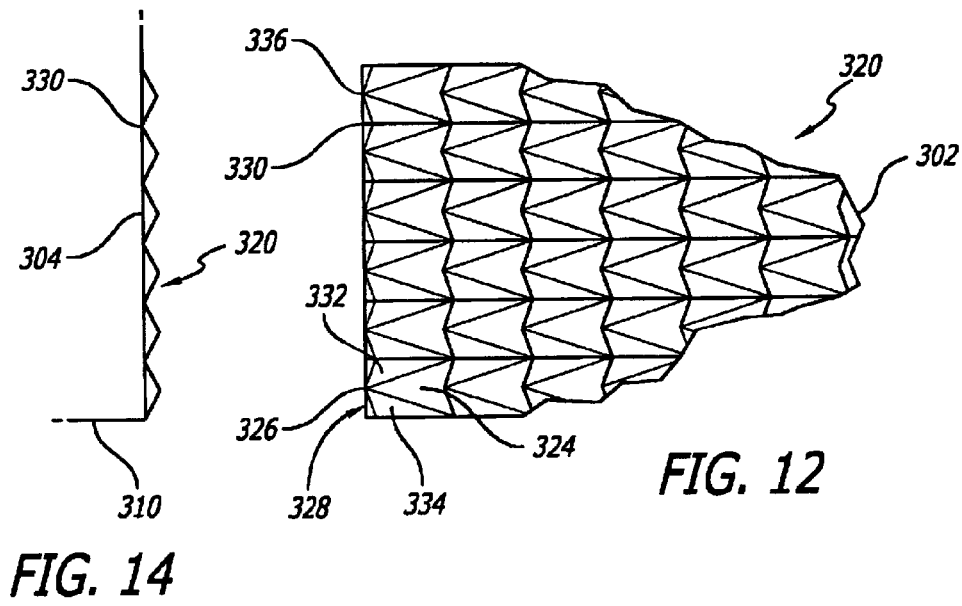
5,522,899	A	6/1996	Michelson	6,080,158	A	6/2000	Lin
5,553,476	A	9/1996	Oehy et al.	6,087,555	A	7/2000	Dunstan et al.
5,593,409	A	1/1997	Michelson	6,143,033	A	11/2000	Paul et al.
5,609,635	A	3/1997	Michelson	6,174,334	B1	1/2001	Suddaby
5,683,464	A	11/1997	Wagner et al.	6,190,414	B1	2/2001	Young et al.
5,713,899	A	2/1998	Marnay et al.	6,258,125	B1	7/2001	Paul et al.
5,716,412	A	* 2/1998	DeCarlo et al. 623/23.5	6,425,920	B1	7/2002	Hamada
5,755,799	A	5/1998	Oehy et al.	6,432,106	B1	8/2002	Fraser
5,860,973	A	1/1999	Michelson	6,482,233	B1	11/2002	Aebi et al.
5,865,845	A	2/1999	Thalgott	6,511,509	B1	1/2003	Ford et al.
5,888,227	A	3/1999	Cottle	6,592,624	B1	7/2003	Fraser et al.
5,899,941	A	5/1999	Nishijima et al.	6,660,038	B1	12/2003	Boyer, II et al.
5,989,289	A	11/1999	Coates et al.	2002/0068978	A1	6/2002	Camino et al.
6,019,793	A	2/2000	Perren et al.				

* cited by examiner









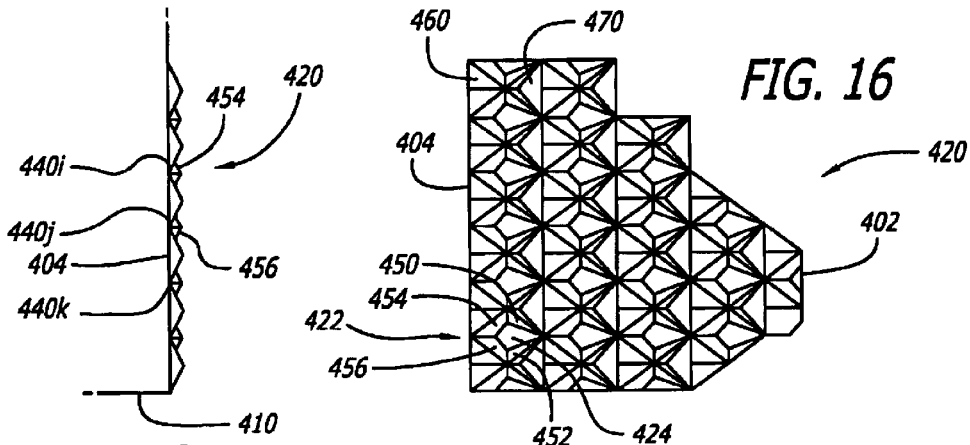


FIG. 18

FIG. 16

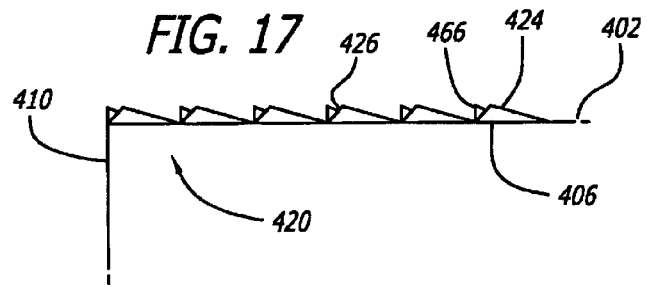


FIG. 17

FIG. 19B

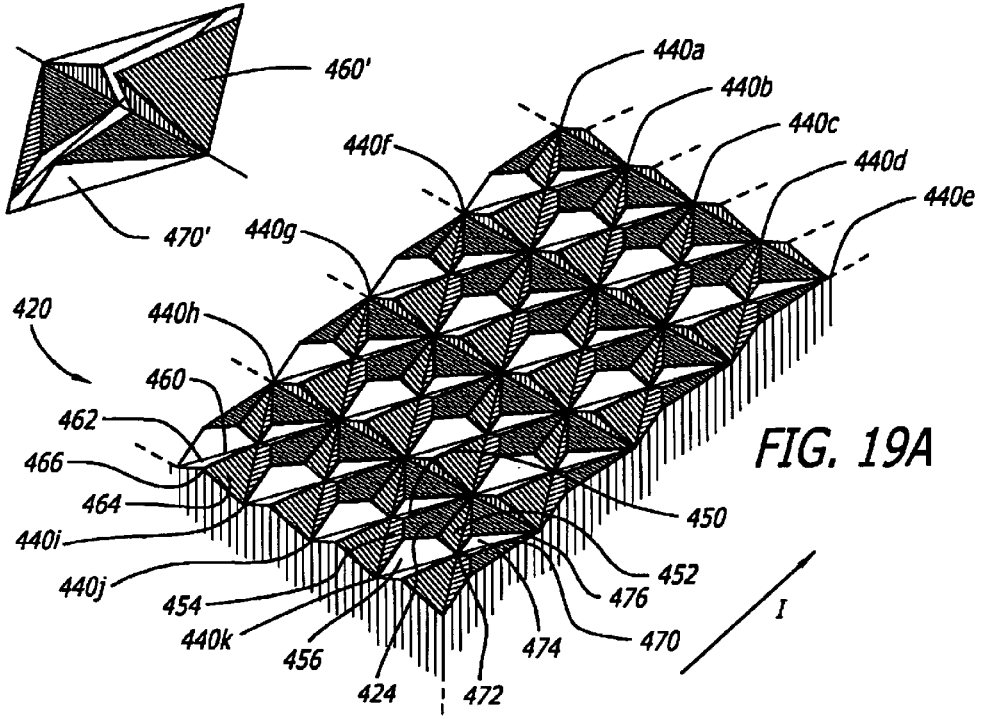


FIG. 19A

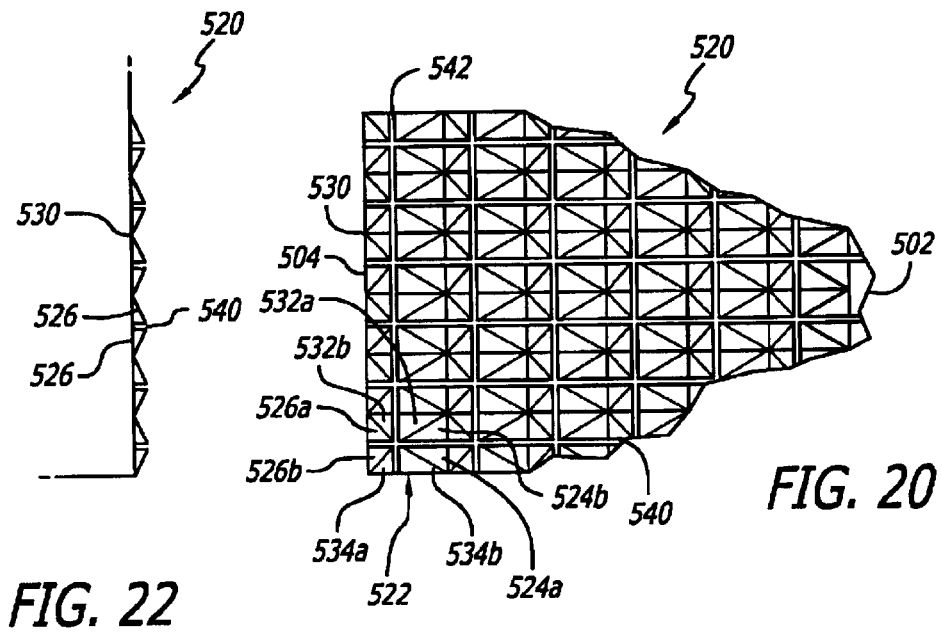
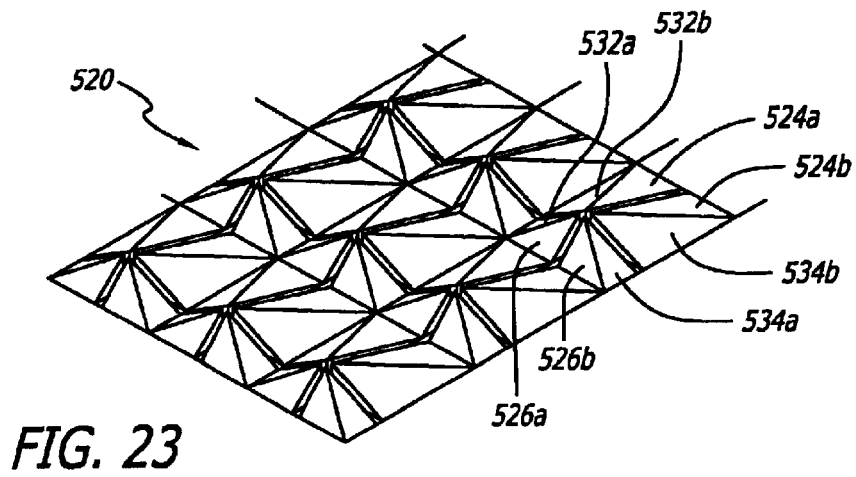
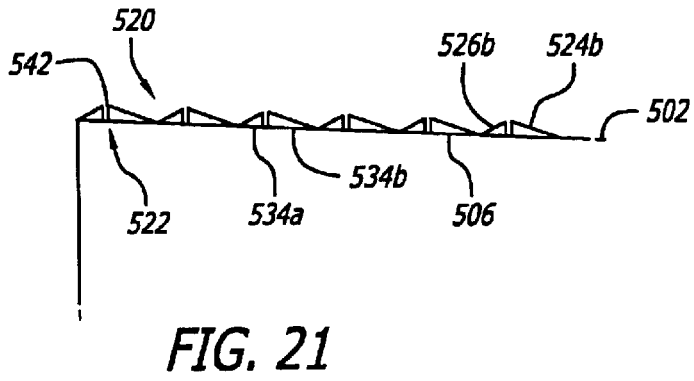


FIG. 22



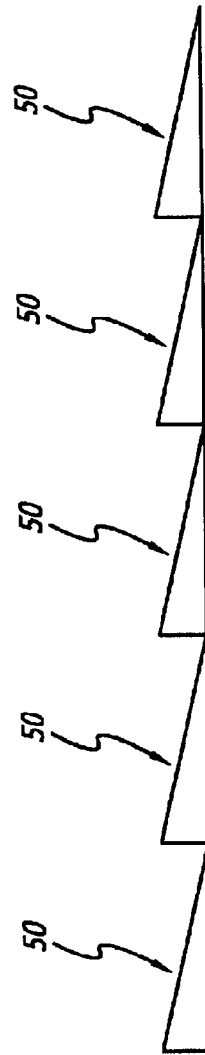
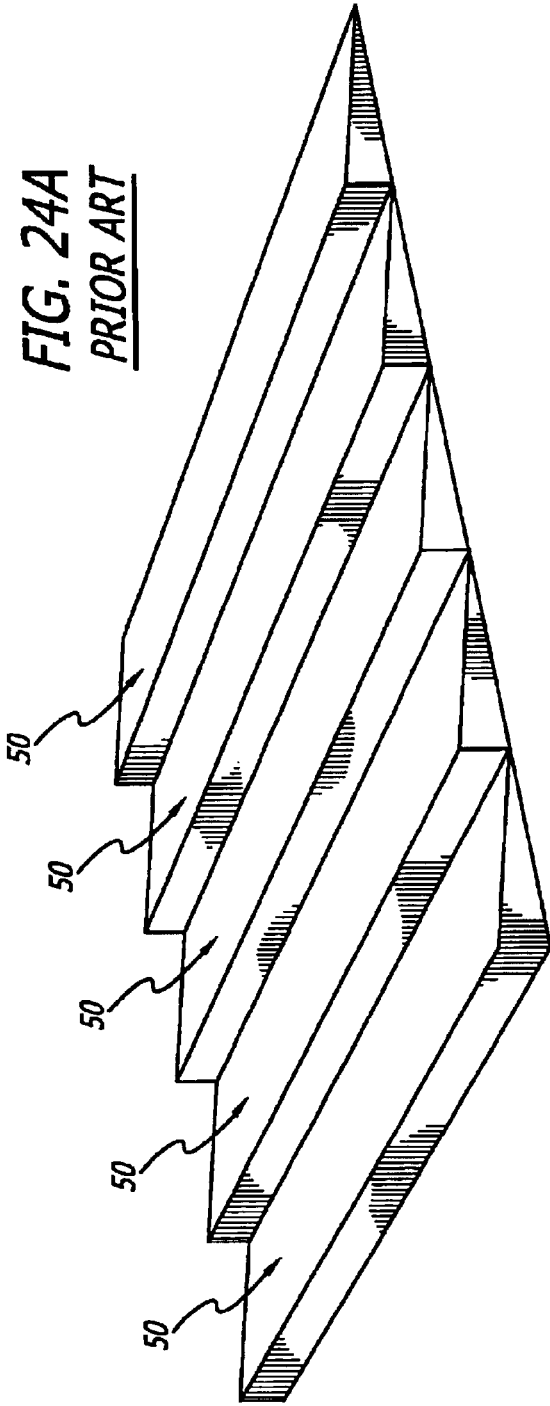


FIG. 24B
PRIOR ART

1

ORTHOPEDIC IMPLANT SURFACE CONFIGURATION

RELATED APPLICATION

This application is a continuation-in-part of application Ser. No. 09/457,228 filed Dec. 8, 1999, incorporated herein by reference.

BACKGROUND OF THE INVENTION

DESCRIPTION OF THE RELATED ART

The present invention relates to orthopedic implants for placement at least in part into bone, or for placement at least in part between adjacent bones or bone portions of a human skeleton. The orthopedic implants of the present invention have a specialized surface for engaging bone.

Vital to the functioning of such orthopedic implants is their ability to remain properly located within bone after installation. In U.S. Pat. Nos. 5,593,409 and 5,609,635, Michelson described the use of surface roughenings, such as knurling or ratcheting on the opposed upper and lower vertebral body engaging surfaces of interbody spinal fusion implants. Knurling has been particularly beneficial for increasing the grip of the implant surface to the bone of the adjacent vertebral bodies in a rather uniform manner without a directional bias. Orthopedic implants inserted at least in part into bone, have a propensity to move in a particular direction, which is opposite to their path of insertion, because this is the path of least resistance. Such propensity to move is further increased when the implant has an overall configuration that is tapered along at least a portion of its length such that the bone engaging surfaces of the implant are in angular relationship to each other and are spaced further apart at the implant's trailing end than at the implant's leading end. In such circumstances where it is desirable then to gain stability in resistance to a particular direction of movement of the orthopedic implant, the use of a plurality of forward facing ratchetings on the implant's bone engaging surfaces has been preferable to the previously described knurling for that purpose.

The term "ratcheting" as used herein is defined as a plurality of angular teeth or ridges or protrusions projecting from the surface of an implant to resist motion of the implant at least in one direction. The phrase "forward facing ratchetings" as used herein is defined as a ratcheting having at least one forward facing facet having a length greater than a rearward facing facet and an angle from the implant surface from which the forward facing facet arises that is less steep than the angle of the rearward facet. On an implant surface, forward facing ratchetings facilitate the insertion of the implant in one direction and after insertion, resisting movement of the implant in a direction opposite to the direction of insertion. An example of forward facing ratchetings of the prior art is shown in partial fragmentary view in FIGS. 24A and 24B, generally referred to by the reference numeral 50.

Knurled surfaces of the related art provide some stability in all directions, but lack the ability to resist a particular direction of motion preferentially. The above-described ratcheted surface best resists motion in a particular direction. There exists a need for an improved orthopedic implant surface configuration, wherein the bone engaging surfaces of the implant are configured to be resistant to implant movement in all directions, and preferentially in particularly one direction.

SUMMARY OF THE INVENTION

The present invention relates to orthopedic implants having a specialized surface configuration on at least a portion

2

of the exterior surfaces adapted for engaging bone, including adjacent bones and bone portions, into which the implant is to be implanted. Such an implant surface configuration has utility with a wide variety of shapes of orthopedic implants where enhanced skeletal fixation is desired. Such an implant surface configuration can provide for enhanced stability, increased surface area, and a surface for the delivery of fusion promoting substances other than bone. In a preferred embodiment, the implant surface can provide for resisting motion in all directions, and particularly in at least one direction, such as counter to the direction of insertion of the implant.

While various embodiments of the present invention are presented by way of example only and not limitation, common to each of them is that the surface configuration incorporates a plurality of spatially integrated surface projections having at least one forward facing facet directed at least in part toward the leading end of the implant and at least one rearward portion directed at least in part toward the opposite trailing end of the implant. By way of example and not limitation, the rearward portion may be a facet, a line, or an edge of the rearward aspect of the surface projection formed where two facets come together. Each of the forward and rearward facets have a length and a slope. The length of the forward facet is longer than the length of the rearward facet. The slope of the rearward facet is steeper than the slope of the forward facet. In various embodiments, the surface projections also have opposed side facets directed generally toward the sides of the implant. The side facets are located between the forward facet and rearward facet and may converge toward each other in a direction away from the base of the surface projections. The surface comprises multifaceted ratcheted projections that are organized in geometrically disposed fields or arrays which are at a minimum located on at least a portion of the bone engaging surfaces of the implant. From the teachings disclosed herein, it is appreciated that the surface projections can be geometrically arranged in a pattern wherein at least a portion of the projection is aligned along a longitudinal, horizontal, diagonal, or curved line. The bone engaging surfaces of the implant can be at least in part arcuate or planar and can converge along a portion or all of the length of the implant.

In various preferred embodiments of the present invention, the rearward facets of the surface projections can be perpendicular or at angles greater or less than 90 degrees to exterior surface of the implant from which the projections arise. The opposed side facets of the surface projections can have at least a first portion in a plane at an angle to the longitudinal axis of the implant. The opposed side facets can intersect each other, and can converge to form a peak at the top of each of the surface projections. The peaks can be aligned along lines that are perpendicular, parallel, or diagonal to the longitudinal axis of the implant. The surface projections can be cleaved such as by longitudinal and/or horizontal cuts to increase the number of exposed sides of the projections and thus increase the available surface area to contact and engage the bone adjacent the implant and increase the number of recessed areas to contain material such as fusion promoting substances for example. Alternatively, the peaks of each surface projection can be cleaved, truncated, or flattened at least in part.

The surface projections can include a left forward side facet and a right forward side facet directed toward the leading end and sides, respectively, of the implant. Similarly, the surface projections can include a left rearward side facet and a right rearward side facet directed toward the trailing end and sides, respectively, of the implant. The side facets of

adjacent surface projections can be spaced apart to define a groove therebetween. A plurality of adjacent surface projections can be spaced apart to form a plurality of grooves that can be parallel or at an angle to the longitudinal axis of the implant, wherein the angle can be less than 90 degrees. The grooves can have a horizontal cross section that is a V-shape, U-shape, or a box-like shape, for example.

Sequential projections can be positioned on an implant wherein each surface projection has forward facing facets facing the same direction, such that consecutive projections are oriented forward facing facet to rearward facing facet. The lower most portion of the slope of the forward facing facet of a first surface projection in a sequence can be coincident with the rearward facet of the next surface projection in the sequence. Alternatively, the forward facet of a first surface projection and the rearward facet of the next surface projection in a sequence can be spaced apart and the space can be at least in part flat, curved, or any other surface contour suitable for the intended use. The surface projections can be oriented relative to one another to form fields or arrays that further can be geometrically disposed relative to one another, preferably in a pattern wherein at least a portion of the projection is aligned along a longitudinal, horizontal, diagonal, or curved line.

The surface configuration of the present invention can be formed by casting, machining, or any other techniques known to one of ordinary skill in the art. The present surface configuration may readily be machined by milling the implant surface from side to side, across the bone engaging surfaces, to form ratchetings generally disposed perpendicular to the long axis of the implant and generally formed facing to the insertion end of the implant. The ratchetings may be cross machined with an angled cutting face to form grooves passing through the ratchetings. For example, a milling machine having a cutting tool, with a V-shaped profile, can be run through the plurality of ratchetings parallel to the longitudinal axis of the implant to form the above-described surface. In a preferred embodiment, the V-shaped cutting tool of the milling machine has opposed cutting faces with an angle of approximately 90 degrees to each other, which faces are each at a 45-degree angle to the plane of the surfaces being machined. Without departing from the scope of the present invention, the angle of the cutting faces can be more or less than 90 degrees, and the angle of the cutting face to the surface to be cut can be more or less than 45 degrees. It is appreciated that rather than the cutting element being run parallel to the longitudinal axis of the implant, the cutting element could be run at some other angle. By way of example only and not limitation, this angle could be at 45 degrees to the longitudinal axis of the implant and to the projections. Each surface projection could then be formed by a cutter crossing in two passes to form two grooves at a 90 degree angle to each other.

The surface configuration of the implant of the present invention may be incorporated into various types of orthopedic implants. Such orthopedic implants may be for securing a prosthetic device implanted into bone, may be for the purpose of healing bone portions or for achieving fusion of bones, or for stabilizing a device to space apart and allow motion between the adjacent bones or bone portions. Such orthopedic implants may comprise any artificial or naturally occurring material appropriate for the intended purpose. Such materials would include, but are not limited to, implant quality metals, including, but not limited to, titanium and its alloys, surgical grade plastics and plastic composites which may or may not be bioresorbable, ceramics, and cortical bone. Some examples of interbody orthopedic implants that

may benefit from the present teaching, include but are not limited to any artificial joint component having an intramedullary stem, such as but not limited to, hip replacements, shoulder replacements, knee replacements, and finger joints; and medical prosthetic implants for replacing a lost portion of a long bone.

BRIEF DESCRIPTION OF THE DRAWINGS

FIG. 1 is a top plan view of an orthopedic implant having a surface configuration in accordance with the present invention.

FIG. 2 is a side elevation view of the orthopedic implant of FIG. 1.

FIG. 3 is a side elevation view of the interbody orthopedic implant of FIG. 1 installed in an implantation site formed in bone shown in partial cross-section.

FIG. 4 is an enlarged fragmentary top plan view of an implant surface of one embodiment of the present invention from a view taken along area 4 of FIG. 1.

FIG. 5 is a fragmentary side elevation view of the implant surface of FIG. 4 from a view taken along area 5 of FIG. 2.

FIG. 6 is a fragmentary end elevation view of FIG. 4.

FIG. 7 is a fragmentary perspective view of the implant surface of FIG. 4.

FIG. 8 is an enlarged fragmentary top plan view of a second embodiment of the implant surface of the present invention from a view taken along area 8 of FIG. 1. FIG. 9 is a fragmentary side elevation view of the implant surface of FIG. 8 from a view taken along area 9 of FIG. 2.

FIG. 10 is a fragmentary end view of the implant surface of FIG. 8.

FIG. 11 is a fragmentary perspective view of the implant surface of FIG. 8.

FIG. 12 is an enlarged fragmentary top plan view of a third embodiment of the implant surface of the present invention from a view taken along area 12 of FIG. 1.

FIG. 13 is a fragmentary side elevation view of the implant surface of FIG. 12 from a view taken along area 13 of FIG. 2.

FIG. 14 is a fragmentary end view of FIG. 12.

FIG. 15 is a fragmentary perspective view of the implant surface of FIG. 12.

FIG. 16 is an enlarged fragmentary top plan view of a fourth embodiment of the implant surface of the present invention from a view taken along area 16 of FIG. 1.

FIG. 17 is a fragmentary side elevation view of the implant surface of FIG. 16 from a view taken along area 17 of FIG. 2.

FIG. 18 is a fragmentary end view of FIG. 16.

FIG. 19A is an enlarged fragmentary perspective view of the implant surface of FIG. 16.

FIG. 19B is an enlarged fragmentary perspective view of a variation on the second and third surface projections of the fourth embodiment of the implant surface of the present invention with a cleave therethrough.

FIG. 20 is an enlarged fragmentary top plan view of a fifth embodiment of the implant surface of the present invention from a view taken along area 20 of FIG. 1.

FIG. 21 is a fragmentary side elevation view of the implant surface of FIG. 20 from a view taken along line 21 of FIG. 2.

FIG. 22 is a fragmentary end view of FIG. 20.

FIG. 23 is an enlarged fragmentary perspective view of the implant surface of FIG. 20.

5

FIGS. 24A and 24B are perspective and side elevation views, respectively, of a prior art implant surface having forward facing ratchetings.

DETAILED DESCRIPTION OF THE DRAWINGS

As shown in FIGS. 1–7, an orthopedic implant **100**, in the form of a hip prosthesis in this example, has a leading end **102**, a trailing end **104**, and an exterior surface **106**. Implant **100** may converge from trailing end **104** to leading end **102** along a longitudinal axis L of implant **100** as shown, or may diverge, be parallel, or any combination thereof. Exterior surface **106** is configured to be placed against and in contact or engagement with the bone B, including adjacent bones or bone portions, of a human skeleton. It is appreciated that the surface configuration of the present invention is not limited to a hip prosthesis and may be incorporated in other types of orthopedic implants including such implants placed between adjacent bones or adjacent bone portions of the human skeleton. Exterior surface **106** may include large and/or small openings **114**, **116** to permit bone growth into and through implant **100**. Exterior surface **106** of implant **100** can be generally planar, or can be arcuate as shown in the FIGS., or any other configuration suitable for the desired use.

As show in FIGS. 1–7, an orthopedic implant **100**, in the form of a hip prosthesis in this example, has a leading end **102**, a trailing end **104**, and an exterior surface **106**. Implant **100** may converge from trailing end **104** to leading end **102** along a longitudinal axis L of implant **100** as shown, or may diverge, be parallel, or any combination thereof. Exterior surface **106** is configured to be placed against and in contact or engagement with the bone B, including adjacent bones or bone portions, of a human skeleton. It is appreciated that the surface configuration of the present invention is not limited to a hip prosthesis and may be incorporated in other types of orthopedic implants including such implants placed between adjacent bones or adjacent bone portions of the human skeleton. Exterior surface **106** may include large and/or small openings **114**, **116** to permit bone growth into and through implant **100**. Exterior surface **106** of implant **100** can be generally planar, or can be arcuate as shown in the Figures. or any other configuration suitable for the desired use.

In this embodiment of surface configuration **120**, a plurality of surface projections **122** are spaced apart laterally (side to side) by longitudinal grooves **130** formed along the longitudinal axis L of implant **100**. In one embodiment, longitudinal grooves **130** have a V-shaped horizontal cross-section. The lower most portions of left and right side facets **132**, **134** of consecutive side-by-side projections **122** can be coincident with each other or may be spaced apart, any space therebetween can be at least in part flat, curved, sloped or otherwise configured. Each surface projection **122** has left and right side facets **132**, **134** that converge to form a high point or peak **136** at the top of each surface projection **122**. Each peak **136** can be aligned along lines that are perpendicular, parallel, and/or diagonally oriented to longitudinal axis L of implant **100**. The left and right side facets **132**, **134** resist side-to-side motion of implant **100** after it is inserted into the implantation space. Peaks **136** engage the bone B adjacent to implant **100** in the implantation site. It is appreciated that in a variation of the present invention, the peaks may be modified such as to be truncated or cut off to have a broader rather than shaper upper most surface. Moreover, the peaks can be cleaved in one or more directions so as to increase the surface area useful for engaging bone. The relieved areas of the cleaved projections are

6

useful for containing and carrying fusion promoting substances other than bone such as bone morphogenetic proteins and genetic materials coding for the production of bone, or bone itself which could by way of example be in the form of a paste. It is further appreciated that for all the various embodiments of the surface configuration of the present invention, longitudinal grooves **130** can have horizontal cross-sections in a variety of configurations such as, without limitation, square-shaped or U-shaped configurations.

Sequential projections can be positioned on an implant wherein each surface projection has forward facing facets facing the same direction such that consecutive projections are oriented forward facing facet to rearward facing facet. The lower most portion of the slope of the forward facing facet of a first surface projection in a sequence can be coincident with the rearward facet of the next surface projection in the sequence. Alternatively, the forward facet of a first surface projection and the rearward facet of the next surface projection in a sequence can be spaced apart and the space can be at least in part flat, curved, or any other surface configuration suitable for the intended use. The surface projections can be oriented relative to one another to form an array and are preferably geometrically disposed relative to one another in a pattern wherein at least a portion of the projection is aligned along a longitudinal, horizontal, diagonal, or curved line. Further, it is appreciated that the surface of the present invention can be useful with orthopedic implants of various configurations, including configurations wherein at least one of leading end, trailing end, and sides of the orthopedic implant is curved. By way of example and not limitation, the leading end, trailing end, and sides of the orthopedic implant can form an oval, an oblong, a circle, or other geometric shape.

As shown in FIGS. 8–11, a second embodiment of the surface configuration of the present invention is generally referred to by the numeral **220**. Surface configuration **220** includes surface projections **222** to facilitate insertion of implant **100** into an implantation site while resisting expulsion of implant **100** in a direction opposite to the direction of insertion. Each of surface projections **222** has an angled forward facet **224** directed at least in part toward leading end **202** of implant **100** and a rearward facet **226** directed at least in part toward trailing end **204** of implant **100**. Forward facet **224** has a length greater than the length of rearward facet **226**. Rearward facet **226** has a slope that is steeper than the slope of forward facet **224**. In this embodiment, the base of rearward facet **226** forms an angle of approximately 45 degrees with respect to exterior surface **206** of implant **100**. Each one of surface projections **222** has a left side facet **232** and a right side facet **234** directed toward the sides of implant **100**, and forward facet **224** and rearward facet **226**.

In this embodiment of surface configuration **220**, longitudinal grooves **230** have a V-shaped horizontal cross-section. The lower most portions of left and right side facets **232**, **234** of consecutive side-by-side projections **222** can be coincident with each other or may be spaced apart, any space therebetween can be at least in part flat, curved, sloped or otherwise configured. Each surface projection has left and right side facets **232**, **234** that converge to form a high point or peak **236** at the top of each surface projections **222**. Each peak **236** can be aligned along lines that are perpendicular, parallel, and/or diagonally oriented to the longitudinal axis L of implant **100**. The left and right side facets **232**, **234** resist side-to-side motion of implant **100** after it is inserted into the implantation space. Peaks **236** engage bone B adjacent to implant **100** in the implantation site.

As shown in FIGS. 12–15, a third embodiment of the surface configuration of the present invention is generally referred to by the numeral 320 is shown. Surface configuration 320 includes surface projections 322 to facilitate insertion of implant 100 into an implantation site while resisting expulsion of implant 100 in a direction opposite to the direction of insertion. Each of surface projections 322 has an angled forward facet 324 directed at least in part toward leading end 302 of implant 100 and a rearward facet 326 directed at least in part toward trailing end 304 of implant 100. Forward facet 324 has a length greater than the length of rearward facet 326. Rearward facet 326 has a slope that is steeper than the slope of forward facet 324. In this embodiment, the base of rearward facet 326 is “back cut” to form an angle greater than 90 degrees with respect to exterior surface 306 of implant 100. The configuration of rearward facet 326 further enhances resistance of motion of the implant in a direction opposite to the direction of insertion. It is appreciated that the angle of the base of rearward facet 326 with respect to exterior surface 306 of implant 100 can be any other angle suitable for the intended purpose of the present invention. Each one of surface projections 322 has a left side facet 332 and a right side facet 334 directed toward the sides of implant 100, and a forward facet 324 and a rearward facet 326. In this embodiment of surface configuration 320, longitudinal grooves 330 have a V-shaped horizontal cross section. The lower most portions of left and right side facets 332, 334 of consecutive side-by-side projections 322 can be coincident with each other or may be spaced apart, and any space therebetween can be at least in part flat, curved, sloped or otherwise configured. Each surface projection 322 has left and right side facets 332, 334 that converge to form a high point or peak 336 at the top of each surface projection 322. Each peak 336 can be aligned along lines that are perpendicular, parallel, and/or diagonally oriented to the longitudinal axis L of implant 100. The left and right side facets 332, 334 resist side-to-side motion of implant 100 after it is inserted into the implantation space. Peaks 336 engage bone B adjacent to implant 100 in the implantation site.

As shown in FIGS. 16–19B, a fourth embodiment of the surface configuration of the present invention is generally referred to by the numeral 420. Surface configuration 420 includes surface projections 422 configured to facilitate insertion of implant 100 in the direction of insertion into an implantation site while resisting expulsion of implant 100 in a direction opposite to the direction of insertion. Each of surface projections 422 has an angled forward facet 424 directed toward leading end 402 of implant 100 and a rearward portion 426 directed toward trailing end 404 of implant 100. Forward facet 424 has a length greater than the length of rearward portion 426. In this embodiment, the base of rearward portion 426 forms an angle of approximately 90 degrees or less with respect to exterior surface 406 of implant 100. Rearward portion 426 can be a portion of surface projection 422, such as a facet, an edge, or a line for example. Each one of surface projections 422 has a left side forward facet 450, a right side forward facet 452, a left side rearward facet 454, and a right side rearward facet 456 directed toward the front and sides, and directed toward the rear and sides of implant 100, respectively, and forward facet 424 and rearward portion 426.

Surface configuration 420 can further include a second plurality of surface projections 460 having at least a left forward side facet 462 and a right forward side facet 464 directed at least in part toward leading end 402 and sides of implant 100, respectively, and at least one rearward facet

466 directed at least in part toward trailing end 400. In this embodiment, rearward facet 466 is approximately perpendicular to at least one of upper and lower surfaces 406, 408 of implant 100. Rearward facet 466 may also be at an angle that is greater than or less the 90 degrees to at least one of upper and lower surfaces 406, 408 of implant 100. Left and right forward side facets 462, 464 have at least a first portion in a plane at an angle to the longitudinal axis of implant 100. Second surface projections 460 can be interspersed with surface projections 422.

Surface configuration 420 can further comprise a third plurality of surface projections 470 having at least a left rearward side facet 472 and a right rearward side facet 474 directed at least in part toward trailing end 404 and sides of implant 100, respectively, and at least one forward facet 476 directed at least in part toward leading end 402. In this embodiment, forward facet 476 is at an angle that is less than 90 degrees to at least one of upper and lower surfaces 406, 408 of implant 100. Forward facet 476 may also be approximately perpendicular to at least one of upper and lower surfaces 406, 408 of implant 100. Left and right rearward side facets 472, 474 have at least a first portion in a plane at an angle to the longitudinal axis of implant 100. Third surface projections 470 can be interspersed with surface projections 422 and/or second surface projections 460. Surface projections 422 may have a length approximating the combined length of second surface projections 460 and third surface projections 470.

In this embodiment, surface configuration 420 has angled grooves 440a–k that form a plurality of surface projections 422. In this example, angled grooves 440a–k are formed at an angle that is approximately 45 degrees to longitudinal axis L of orthopedic implant 100 and in this example, angled grooves 440a–k are approximately 90 degrees to one another. The angled grooves 440a–k can be formed, if machined, by first passing a cutting element at a 45 degree angle to the longitudinal axis L of implant 100 and then passing the cutting element at a 90 degree angle to the path of the first pass of the cutting element, or otherwise formed by casting, molding, and other methods for forming a surface configuration. It is appreciated that angled grooves 400a–k can be formed at various angles to the longitudinal axis L of implant 100 and to each other. For example, such angles can be less than 180 degrees.

In this embodiment of surface configuration 420, angled grooves 440a–k have a V-shaped horizontal cross-section. Each surface projection 422 has left and right side facets 432 and 434 that are convergent and form a high point or peak 436 at the top of each surface projections 422. Each peak 436 can be aligned along lines that are horizontally, longitudinally, and/or diagonally oriented along implant 100. The left and right side forward and rearward facets 450, 452, 454, 456 function to prevent side-to-side motion of implant 100 after it is inserted into the implantation space. Peaks 436 may also function like teeth to engage bone B adjacent to the implant in the implantation site.

Fig. 19B shows a variation of second and third surface projections 460', 470' that can be cleaved in one or more directions to increase the number of exposed sides of each projection and thus increase the surface area of the implant bone engaging surface available to contact bone B. A preferred embodiment of this variation of the second and third surface projections 460', 470' are cleaved by a longitudinal groove. As shown in FIGS. 20–23, a fifth embodiment of the surface configuration of the present invention is generally referred to by the numeral 520. Surface configuration 520 includes surface projections 522 to facilitate

insertion of implant **100** into an implantation site while resisting expulsion of implant **100** in a direction opposite to the direction of insertion. Surface projections **522** can be cleaved in one or more directions to increase the number of exposed sides of each projection and thus increase the surface area of the implant bone engaging surface available to contact bone B. For example, the surface projections can be cleaved by a longitudinal cut **540** generally parallel to the longitudinal axis L of implant **100** to form a surface projection having nine exposed sides. The surface projections may further be cleaved by a horizontal cut **542** generally perpendicular to the longitudinal axis L of implant **100** to form a surface projection having eighteen exposed sides. The cuts can penetrate the surface projection at a depth substantially equal to that of the height of the surface projections as measured from the upper or lower surfaces of the implant. The cuts can be oriented along at least one of the longitudinal axis of the implant, an axis perpendicular to the longitudinal axis of said implant, and an axis at an angle between the longitudinal axis and the axis perpendicular to the longitudinal axis of the implant. It is appreciated that cuts **540** and **542** may be formed as part of the molding process for forming the surface projections.

When cleaved by longitudinal cut **540** and horizontal cut **542**, each of surface projections **522** has angled forward facet **524a**, **524b** directed at least in part toward leading end **502** of implant **100** and rearward facets **526a**, **526b** directed at least in part toward trailing end **504** of implant **100**. Forward facet **524** has a length greater than the length of rearward facet **526**. Rearward facets **526a**, **526b** have a slope that is steeper than the slope of forward facets **524a**, **524b**. The cleaved portion of surface projection **522** can be spaced apart by a predetermined distance and the space can be at least in part flat, curved, or any other surface configuration suitable for the intended use. In this embodiment, the base of rearward facets **526a**, **526b** forms an angle of approximately 45 degrees with respect to exterior surface **506** of implant **100**. Each one of surface projections **522** has left side facets **532a**, **532b** and right side facets **534a**, **534b** directed toward the sides of implant **100**, and forward facets **524a**, **524b** and rearward facet **526a**, **526b**. In this embodiment of surface configuration **520**, longitudinal grooves **530** have a V-shaped horizontal cross-section and each surface projection **522** has left and right side facets **532a**, **532b**, **534a**, **534b** that converge toward one another. The left and right side facets **532a**, **532b**, **534a**, **534b** resist side-to-side motion of implant **100** after it is inserted into the implantation space.

The surface configuration of the present invention can be formed by molding, machining or otherwise. A preferred surface configuration of the present invention may readily be machined by milling from side to side, across the bone engaging surfaces, surface projections. A milling machine with a cutting tool having an angled cutting face such as a V-shaped profile can then be run through the plurality of surface projections parallel to the longitudinal axis of the implant to form the above-described surface. In a preferred embodiment, the V-shaped cutting tool of the milling machine has faces with an angle of approximately 90 degrees, which faces are at a 45-degree angle to the plane of the surfaces being so machined. Without departing from the present invention, the angle of the cutting faces can be more or less than 90 degrees, the angle of the cutting face to the surface to be cut can be more or less than 45 degrees, and rather than running the cutter element parallel to the longitudinal axis of the implant, the cutting element may be run at an angle. By way of example only and not limitation, this

angle may be at 45 degrees to the longitudinal axis of the implant and each surface projection can be formed by two grooves crossing the projections at a 90 degree angle to each other.

The orthopedic implants of the present invention are made of artificial or naturally occurring materials suitable for implantation in the human body. The implants can comprise bone including, but not limited to, cortical bone, materials other than bone, such as metals including, but not limited to, titanium and its alloys or ASTM material, surgical grade plastics, plastic composites, ceramics, or other materials suitable for use as an orthopedic implant. The implants of the present invention can further comprise or be combined with bone growth promoting materials, including but not limited to, bone, bone morphogenetic proteins, hydroxyapatite, and genes coding for the production of bone. The implants can be treated with a bone growth promoting substance, can be a source of osteogenesis, or can be bioabsorbable at least in part. The implants of the present invention can be formed of a porous material.

The orthopedic implants of the present invention can be for the purpose of achieving fusion. The exterior surface of the fusion implants can include at least one opening to permit for the growth of bone from bone or bone portion to adjacent bone or bone portion through the implant. The implant can have an internal chamber and may also have an access opening for accessing the internal chamber, in which case the implant can further have a cover such as a cap to close the access opening at least in part. Openings in the exterior surface of the implant can communicate with the internal chamber to permit further growth of bone through the implant. The internal chamber can contain bone growth promoting materials, including but not limited to, bone, bone morphogenetic proteins, hydroxyapatite, and genes coding for the production of bone. The implants of the present invention can be formed of a material that intrinsically participates in the growth of bone from one of the adjacent bones or bone portions to the other of the adjacent bones or bone portions.

While various embodiments of the present invention are presented by way of example only and not limitation, common to each of them, is that the configuration of the surface is based on a plurality of surface projections disposed in arrays, each surface projection comprising at least one leading facet and at least one opposing trailing facet, in which the leading facet has a length greater than the trailing facet and the trailing facet has a steeper slope than the slope of the leading facet. The surface configuration is located on at least a portion of exterior bone engaging surface of the orthopedic implant.

While the implant shown in FIGS. 1, 2, and 3 is a hip prosthesis, it is appreciated that the surface configuration of the present invention is applicable to any orthopedic implants having an exterior surface incorporating the present inventive teachings for engaging bone including but not limited to, any artificial joint component having an intramedullary stem, such as but not limited to, hip replacements, shoulder replacements, knee replacements, and finger joints; and medical prosthetic implants for replacing a lost portion of a long bone.

It is believed that the operation and construction of the present invention will be apparent from the foregoing description and, while the invention shown and described herein has been characterized as particular embodiments, changes and modifications may be made therein without departing from the spirit and scope of the invention as defined in the following claims.

11

What is claimed is:

1. An orthopedic implant for contact with bone, including adjacent bones and bone portions, of a human skeleton, said implant comprising:

leading end for introduction of said orthopedic implant into the bone, an opposite trailing end, spaced apart sides therebetween, and a mid-longitudinal axis passing through said leading and trailing ends;

an exterior surface between said leading and trailing ends and said spaced apart sides, said exterior surface adapted for placement in engagement with the bone; and

a plurality of surface projections formed on said exterior surface of said implant, said plurality of surface projections being adapted to engage bone, said plurality of surface projections including:

at least a first and a second surface projection each having a first facet configuration with at least one forward facing facet directed at least in part toward said leading end and at least one rearward portion directed at least in part toward said trailing end, said forward facet and said rearward portion having a length and a slope, the length of said forward facet being longer than the length of said rearward portion, the slope of said rearward portion being steeper than the slope of said forward facet, said first and second surface projections each having a peak along a first line that is transverse to the mid-longitudinal axis of said implant; and

at least a third and a fourth surface projection each having a second facet configuration with at least one forward facet directed at least in part toward the leading end and at least one rearward portion directed at least in part toward the trailing end, said forward facet and said rearward portion of said second facet configuration having a length and a slope, the length of said forward facet of said second facet configuration being longer than the length of said rearward portion of said second facet configuration, the slope of said rearward portion of said second facet configuration being steeper than the slope of said forward facet of said second facet configuration, said third and fourth surface projections each having a peak along a second line that is transverse to the mid-longitudinal axis and off-set from the first line transverse to the mid-longitudinal axis, said second facet configuration of said third and fourth surface projections being different from said first facet configuration of said first and second surface projections.

2. The orthopedic implant of claim 1, wherein said rearward portion of each of said first and second surface projections is perpendicular to said exterior surface of said implant.

3. The orthopedic implant of claim 1, wherein said rearward portion of each of said first and second surface projections is at an angle to said exterior surface of said implant.

4. The orthopedic implant of claim 3, wherein said angle is less than 90 degrees.

5. The orthopedic implant of claim 1, wherein said forward facets of said first and second surface projections face the same direction.

6. The orthopedic implant of claim 1, wherein said first and second surface projections each include opposed side facets between said forward facet and said rearward portion, each of said side facets having at least a first portion in a plane passing through and being at an angle to the mid-longitudinal axis of said implant.

12

7. The orthopedic implant of claim 6, wherein said opposed side facets intersect each other.

8. The orthopedic implant of claim 1, wherein at least a portion of said peaks are aligned along lines that are one of parallel and diagonal to the mid-longitudinal axis of said implant.

9. The orthopedic implant of claim 6, wherein said side facets have a second portion passing through and being at an angle to the mid-longitudinal axis of the implant, wherein the angles of said first portion and said second portion are different.

10. The orthopedic implant of claim 1, wherein at least one of said surface projections includes a left forward side facet and a right forward side facet relative to the mid-longitudinal axis of said implant, said left forward side facet and said right forward side facet being directed toward said leading end and said sides, respectively, of said implant.

11. The orthopedic implant of claim 1, wherein at least one of said surface projections includes a left rearward side facet and a right rearward side facet relative to the mid-longitudinal axis of said implant, said left rearward side facet and said right rearward side facet being directed toward said trailing end and sides, respectively, of said implant.

12. The orthopedic implant of claim 10, wherein at least one of said surface projections includes a left rearward side facet and a right rearward side facet relative to the mid-longitudinal axis of said implant said left rearward side facet and said right rearward side facet being directed toward said trailing end and sides, respectively, of said implant.

13. The orthopedic implant of claim 6, wherein adjacent side facets of adjacent surface projections are spaced apart to define a groove therebetween.

14. The orthopedic implant of claim 13, wherein a plurality of adjacent surface projections are spaced apart to form a plurality of grooves between said surface projections.

15. The orthopedic implant of claim 14, wherein at least one of said grooves is parallel to the mid-longitudinal axis of said implant.

16. The orthopedic implant of claim 14, wherein at least one of said grooves is at an angle to the mid-longitudinal axis of said implant.

17. The orthopedic implant of claim 16, wherein said angle is less than 90 degrees to the mid-longitudinal axis of said implant.

18. The orthopedic implant of claim 16, wherein at least two of said grooves cross each other.

19. The orthopedic implant of claim 14, wherein at least one of said grooves has a horizontal cross-sectional shape that is one of a v-shape, u-shape, and a box-like shape.

20. The orthopedic implant of claim 1 wherein said surface projections are oriented relative to one another to form an array over at least a portion of said exterior surface of said implant.

21. The orthopedic implant of claim 1 wherein said surface projections are geometrically disposed relative to one another over at least a portion of said exterior surface of said implant.

22. The orthopedic implant of claim 1 wherein said exterior surface of said implant is arcuate along at least a portion of the length of said implant.

23. The orthopedic implant of claim 1, wherein at least one of said leading end, trailing end, and sides are curved.

24. The orthopedic implant of claim 1, wherein said sides are curved.

25. The orthopedic implant of claim 1, wherein each of said leading end, trailing end, and sides are curved.

26. The orthopedic implant of claim 25, wherein the curve of each of said leading end, trailing end, and sides form the shape of at least a portion of a circle.

27. The orthopedic implant of claim 1, wherein said exterior surface of said implant is planar along at least a portion of the length of said implant.

28. The orthopedic implant of claim 1, wherein said implant is tapered along at least a portion of the length of said implant.

29. The orthopedic implant of claim 1, wherein said implant comprises a material other than bone.

30. The orthopedic implant of claim 1, wherein said implant comprises bone.

31. The orthopedic implant of claim 30, wherein said bone includes cortical bone.

32. The orthopedic implant of claim 1, wherein said implant comprises bone growth promoting material.

33. The orthopedic implant of claim 32 wherein said bone growth promoting material is at least one of bone morphogenetic protein, hydroxyapatite, and genes coding for the production of bone.

34. The orthopedic implant of claim 1, wherein said implant is treated with a bone growth promoting substance.

35. The orthopedic implant of claim 1, wherein said implant is a source of osteogenesis.

36. The orthopedic implant of claim 1, wherein said implant is at least in part bioabsorbable.

37. The orthopedic implant of claim 1, wherein said implant comprises metal.

38. The orthopedic implant of claim 37 wherein said metal is ASTM material suitable for use as an orthopedic fusion implant.

39. The orthopedic implant of claim 37, wherein said metal includes titanium.

40. The orthopedic implant of claim 1, wherein said implant comprises a plastic material.

41. The orthopedic implant of claim 1, wherein said implant comprises a ceramic material.

42. The orthopedic implant of claim 1, wherein said implant is formed of a porous material.

43. The orthopedic implant of claim 1, wherein said implant is formed of a material that participates in the growth of bone from adjacent bone to adjacent bone through said implant.

44. The orthopedic implant of claim 1, wherein said implant is a motion preserving device adapted to space apart and allow motion between the adjacent bones or bone portions.

45. The orthopedic implant of claim 1, wherein said orthopedic implant is a fusion implant.

46. The orthopedic implant of claim 45, wherein said exterior surface includes at least one opening to permit bone growth from adjacent bone to adjacent bone through said implant.

47. The orthopedic implant of claim 45, wherein said implant has an internal chamber and an access opening for accessing said internal chamber.

48. The orthopedic implant of claim 47, wherein said implant has a cap for closing said access opening.

49. The orthopedic implant of claim 47, wherein said exterior surface includes at least one opening in communication with said internal chamber to permit bone growth from adjacent bone to adjacent bone through said implant.

50. The orthopedic implant of claim 47, wherein said internal chamber is capable of containing bone growth promoting material.

51. The orthopedic implant of claim 50, wherein said bone growth promoting material is at least one of bone morpho-

genetic protein, hydroxyapatite, and genes coding for the production of bone.

52. The orthopedic implant of claim 1, further comprising at least one opening capable of retaining fusion promoting materials.

53. The orthopedic implant of claim 1, wherein said second facet configuration further includes at least a left forward side facet and a right forward side facet directed at least in part toward said leading end and said sides, respectively, and at least one rearward facet directed at least in part toward said trailing end, said left and right forward side facets having at least a first portion in a plane passing through and being at an angle to the mid-longitudinal axis of said implant.

54. The orthopedic implant of claim 1, wherein said third and fourth surface projections are interspersed with said first and second surface projections.

55. The orthopedic implant of claim 53, further comprising at least a fifth and a sixth surface projection each having a third facet configuration with at least one forward facet directed at least in part toward the leading end and at least one rearward portion directed at least in part toward the trailing end, said forward facet and said rearward portion of said third facet configuration having a length and a slope, the length of said forward facet of said third facet configuration being longer than the length of said rearward portion of said third facet configuration, the slope of said rearward portion of said third facet configuration being steeper than the slope of said forward facet of said third facet configuration, said third facet configuration further including at least a left rearward side facet and a right rearward side facet directed at least in part toward said trailing end and said sides, respectively, said left and right rearward side facets having at least a first portion in a plane passing through and being at an angle to the mid-longitudinal axis of said implant.

56. The orthopedic implant of claim 55, wherein said fifth and sixth surface projections are interspersed with said first and second surface projections.

57. The orthopedic implant of claim 55, wherein said third, fourth, fifth, and sixth surface projections are interspersed with said first and second surface projections.

58. The orthopedic implant of claim 55, wherein one of said surface projections having said second facet configuration has a length approximating the combined length of two of said surface projections each having at least one of said first and third facet configurations.

59. The orthopedic implant of claim 1, further comprising at least a fifth and a sixth surface projection each having a third facet configuration with at least one forward facet directed at least in part toward the leading end and at least one rearward portion directed at least in part toward the trailing end, said forward facet and said rearward portion of said third facet configuration having a length and a slope, the length of said forward facet of said third facet configuration being longer than the length of said rearward portion of said third facet configuration, the slope of said rearward portion of said third facet configuration being steeper than the slope of said forward facet of said third facet configuration, said third facet configuration further including at least a left rearward side facet and a right rearward side facet directed at least in part toward said trailing end and said sides, respectively, said left and right rearward side facets having at least a first portion in a plane passing through and being at an angle to the mid-longitudinal axis of said implant.

15

60. An orthopedic implant adapted for contact with bone, including adjacent bones and bone portions, of a human skeleton, said implant comprising:

a leading end for introduction of said orthopedic implant into the bone, an opposite trailing end, spaced apart sides therebetween, and a mid-longitudinal axis passing through said leading and trailing ends;

an exterior surface between said leading and trailing ends and said spaced apart sides, said exterior surface adapted for placement in engagement with the bone; and

a plurality of surface projections formed on said exterior surface of said implant, said plurality of surface projections being adapted to engage bone, said plurality of surface projections including:

at least a first and a second surface projection each having a first facet configuration with at least a left forward side facet and a right forward side facet directed at least in part toward said leading end and said sides, respectively, and a single rearward facet directed at least in part toward said trailing end, said left and right forward side facets having at least a first portion in a plane passing through and being at an angle to the mid-longitudinal axis of said implant, said first and second surface projections each having a peak along a first line that is transverse to the mid-longitudinal axis of said implant; and

at least a third and a fourth surface projection each having a second facet configuration with at least one forward facet directed at least in part toward the leading end and at least one rearward portion directed at least in part toward the trailing end, said forward facet and said rearward portion of said second facet configuration having a length and a slope, the length of said forward facet of said second facet configuration being longer than the length of said rearward portion of said second facet configuration, the slope of said rearward portion of said second facet configuration being steeper than the slope of said forward facet of said second facet configuration, said third and fourth surface projections each having a peak along a second line that is transverse to the mid-longitudinal axis and off-set from the first line transverse to the mid-longitudinal axis, said second facet configuration of said third and fourth surface projections being different from said first facet configuration of said first and second surface projections.

61. The orthopedic implant of claim 60, wherein said second facet configuration includes opposed side facets between said forward facing facet and said rearward portion, said side facets having at least a first portion in a plane passing through and being at an angle to the mid-longitudinal axis of said implant.

62. The orthopedic implant of claim 60, wherein said third and fourth surface projections are interspersed with said first and second surface projections.

63. The orthopedic implant of claim 61, further comprising at least a fifth and a sixth surface projection each having a third facet configuration with at least one forward facet directed at least in part toward the leading end and at least one rearward portion directed at least in part toward the trailing end, said forward facet and said rearward portion of said third facet configuration having a length and a slope, the length of said forward facet of said third facet configuration being longer than the length of said rearward portion of said third facet configuration, the slope of said rearward portion

16

of said third facet configuration being steeper than the slope of said forward facet of said third facet configuration, said third facet configuration further including at least a left rearward side facet and a right rearward side facet directed at least in part toward said trailing end and said sides, respectively, said left and right rearward side facets having at least a first portion in a plane passing through and being at an angle to the mid-longitudinal axis of said implant.

64. The orthopedic implant of claim 63, wherein said fifth and sixth surface projections are interspersed with said first and second surface projections.

65. The orthopedic implant of claim 63, wherein said third, fourth, fifth, and sixth surface projections are interspersed with said first and second surface projections.

66. The orthopedic implant of claim 63, wherein one of said surface projections having said second facet configuration has a length approximating the combined length of two of said surface projections each having at least one of said first and third facet configurations.

67. The orthopedic implant of claim 60, further comprising at least a fifth and a sixth surface projection each having a third facet configuration with at least one forward facet directed at least in part toward the leading end and at least one rearward portion directed at least in part toward the trailing end, said forward facet and said rearward portion of said third facet configuration having a length and a slope, the length of said forward facet of said third facet configuration being longer than the length of said rearward portion of said third facet configuration, the slope of said rearward portion of said third facet configuration being steeper than the slope of said forward facet of said third facet configuration, said third facet configuration further including at least a left rearward side facet and a right rearward side facet directed at least in part toward said trailing end and said sides, respectively, said left and right rearward side facets having at least a first portion in a plane passing through and being at an angle to the mid-longitudinal axis of said implant.

68. The orthopedic implant of claim 60, wherein said second facet configuration includes opposed side facets directed generally toward said sides of said implant, said side facets located between said forward facet and said rearward portion of said surface projections, said side facets converging toward each other in a direction away from the base of each of said third and fourth surface projections.

69. The orthopedic implant of claim 60, wherein said rearward facet is perpendicular to of said exterior surface of said implant.

70. The orthopedic implant of claim 60, wherein said rearward facet is at an angle to said exterior surface of said implant.

71. The orthopedic implant of claim 70, wherein said angle is less than 90 degrees.

72. The orthopedic implant of claim 60, wherein said rearward facets of said first and second surface projections face the same direction.

73. The orthopedic implant of claim 60, wherein said left and right forward side facets intersect each other.

74. The orthopedic implant of claim 60, wherein adjacent left and right forward side facets of adjacent surface projections are spaced apart to define a groove therebetween.

75. The orthopedic implant of claim 60, wherein said surface projections are oriented relative to one another to form an array.

76. The orthopedic implant of claim 60, wherein said surface projections are geometrically disposed relative to one another.

77. The orthopedic implant of claim 60, wherein said exterior surface of said implant is at least in part planar.

17

78. The orthopedic implant of claim 60, wherein said implant is tapered along at least a portion of its length.

79. The orthopedic implant of claim 60, wherein said implant comprises a material other than bone.

80. The orthopedic implant of claim 60, wherein said implant comprises bone.

81. The orthopedic implant of claim 80, wherein said bone includes cortical bone.

82. The orthopedic implant of claim 60, wherein said implant comprises bone growth promoting material.

83. The orthopedic implant of claim 82, wherein said bone growth promoting material is at least one of bone morphogenetic protein, hydroxyapatite, and genes coding for the production of bone.

84. The orthopedic implant of claim 60, wherein said implant is at least in part bioabsorbable.

85. The orthopedic implant of claim 60, wherein said implant is a motion preserving device adapted to space apart and allow motion between the adjacent bones or bone portions.

86. The orthopedic implant of claim 60, wherein said exterior surface includes at least one opening to permit bone growth from adjacent bone to adjacent bone through said implant.

87. An orthopedic implant adapted for contact with bone, including adjacent bones and bone portions, of a human skeleton, said implant comprising:

a leading end for introduction of said orthopedic implant into the bone, an opposite trailing end, spaced apart sides therebetween, and a mid-longitudinal axis passing through said leading and trailing ends;

an exterior surface between said leading and trailing ends and said spaced apart sides, said exterior surface adapted for placement in engagement with the bone; and

a plurality of surface projections formed on said exterior surface of said implant, said plurality of surface projections being adapted to engage bone, said plurality of surface projections including;

at least a first and a second surface projection each having a first facet configuration with at least a left rearward side facet and a right rearward side facet directed at least in part toward said trailing end and said sides, respectively, a single forward facet directed at least in part toward said leading end, said left and right rearward side facets having at least a first portion in a plane passing through and being at an angle to the mid-longitudinal axis of said implant and

at least a third and a fourth surface projection each having a second facet configuration with at least one forward facet directed at least in part toward the leading end and at least one rearward portion directed at least in part toward the trailing end, said forward facet and said rearward portion of said second facet configuration having a length and a slope, the length of said forward facet of said second facet configuration being longer than the length of said rearward portion of said second facet configuration, the slope of said rearward portion of said second facet configuration being steeper than the slope of said forward facet of said second facet configuration, said third and fourth surface projections each having a peak along a second line that is transverse to the mid-longitudinal axis and off-set from the first line transverse to the mid-longitudinal axis, the second facet configuration of the third and fourth surface projections being different from the first facet configuration of the first and second surface projections.

18

88. The orthopedic implant of claim 87, wherein said second facet configuration includes opposed side facets between said forward facet and said rearward portion, said side facets having at least a first portion in a plane passing through and being at an angle to the mid-longitudinal axis of said implant.

89. The orthopedic implant of claim 87, wherein said third and fourth surface projections are interspersed with said first and second surface projections.

90. The orthopedic implant of claim 88, further comprising at least a fifth and a sixth surface projection each having a third facet configuration with at least one forward facet directed at least in part toward the leading end and at least one rearward portion directed at least in part toward the trailing end, said forward facet and said rearward portion of said third facet configuration having a length and a slope, the length of said forward facet of said third facet configuration being longer than the length of said rearward portion of said third facet configuration, the slope of said rearward portion of said third facet configuration being steeper than the slope of said forward facet of said third facet configuration, said third facet configuration further including at least a left forward side facet and a right forward side facet directed at least in part toward said leading end and said sides, respectively, and a single rearward facet directed at least in part toward said trailing end, said left and right forward side facets having at least a first portion in a plane passing through and being at an angle to the mid-longitudinal axis of said implant.

91. The orthopedic implant of claim 90, wherein said fifth and sixth surface projections are interspersed with said first and second surface projections.

92. The orthopedic implant of claim 90, wherein said third, fourth, fifth, and sixth surface projections are interspersed with said first and second surface projections.

93. The orthopedic implant of claim 90, wherein one of said surface projections having said second facet configuration has a length approximating the combined length of two surface projections each having at least one of said first and third facet configurations.

94. The orthopedic implant of claim 87, further comprising at least a fifth and a sixth surface projection each having a third facet configuration with at least one forward facet directed at least in part toward the leading end and at least one rearward portion directed at least in part toward the trailing end, said forward facet and said rearward portion of said third facet configuration having a length and a slope, the length of said forward facet of said third facet configuration being longer than the length of said rearward portion of said third facet configuration, the slope of said rearward portion of said third facet configuration being steeper than the slope of said forward facet of said third facet configuration, said third facet configuration further including at least a left forward side facet and a right forward side facet directed at least in part toward said leading end and said sides, respectively, and a single rearward facet directed at least in part toward said trailing end, said left and right forward side facets having at least a first portion in a plane passing through and being at an angle to the mid-longitudinal axis of said implant.

95. The orthopedic implant of claim 87, wherein said second facet configuration includes opposed side facets directed generally toward said sides of said implant, said side facets located between said forward facet and said rearward portion of said surface projections, said sides facets converging toward each other in a direction away from the base of each of said third and fourth surface projections.

96. The orthopedic implant of claim 87, wherein said forward facets of said first and second surface projections face the same direction.

97. The orthopedic implant of claim 87, wherein said forward facet of each of said first and second surface projections is at an angle to said exterior surface of said implant.

98. The orthopedic implant of claim 97, wherein said angle is less than 90 degrees.

99. The orthopedic implant of claim 87, wherein said left and right rearward side facets intersect each other.

100. The orthopedic implant of claim 87, wherein adjacent left and right rearward side facets of adjacent surface projections are spaced apart to define a groove therebetween.

101. The orthopedic implant of claim 87, wherein said surface projections are oriented relative to one another to form an array over at least a portion of said exterior surface of said implant.

102. The orthopedic implant of claim 87, wherein said surface projections are geometrically disposed relative to one another over at least a portion of said exterior surface of said implant.

103. The orthopedic implant of claim 87, wherein said exterior surface of said implant is planar along at least a portion of the length of said implant.

104. The orthopedic implant of claim 87, wherein said implant is tapered along at least a portion of its length.

105. The orthopedic implant of claim 87, wherein said implant comprises a material other than bone.

106. The orthopedic implant of claim 87, wherein said implant comprises bone.

107. The orthopedic implant of claim 100, wherein said bone includes cortical bone.

108. The orthopedic implant of claim 87, wherein said implant comprises bone growth promoting material.

109. The orthopedic implant of claim 108, wherein said bone growth promoting material is at least one of bone morphogenetic protein, hydroxyapatite, and genes coding for the production of bone.

110. The orthopedic implant of claim 87, wherein said implant is at least in part bioabsorbable.

111. The orthopedic implant of claim 87, wherein said implant is a motion preserving device adapted to space apart and allow motion between the adjacent bones or bone portions.

112. The orthopedic implant of claim 87, wherein said exterior surface includes at least one opening to permit bone growth from adjacent bone to adjacent bone through said implant.

113. The orthopedic implant of claim 1 in combination with a fusion promoting substance.

114. The orthopedic implant of claim 113, wherein said fusion promoting substance includes at least one of bone, bone morphogenetic protein, hydroxyapatite, and genes coding for the production of bone.

115. The orthopedic implant of claim 60, in combination with a fusion promoting substance.

116. The orthopedic implant of claim 115, wherein said fusion promoting substance includes at least one of bone, bone morphogenetic protein, hydroxyapatite, and genes coding for the production of bone.

117. The orthopedic implant of claim 117, in combination with a fusion promoting substance.

118. The orthopedic implant of claim 117, wherein said fusion promoting substance includes at least one of bone, bone morphogenetic protein, hydroxyapatite, and genes coding for the production of bone.

119. The combination of the orthopedic implant of claim 1, and a device for forming said surface projections on said exterior surface of said implant.

120. The combination of claim 119, wherein said device is a milling instrument.

121. The combination of claim 119, wherein said device includes a cutting tool with a V-shaped profile.

122. The orthopedic implant of claim 1, wherein at least one of said projections has a length parallel to the mid-longitudinal axis of said implant and a maximum width transverse to the length, the length of said at least one projection being greater than its maximum width.

123. The orthopedic implant of claim 1, wherein at least one of said projections has a length parallel to the mid-longitudinal axis of said implant and a maximum height perpendicular to the length, the length of said at least one projection being greater than its maximum height.

124. The combination of the orthopedic implant of claim 60 and a device for forming said surface projections on said exterior surface of said implant.

125. The combination of claim 124, wherein said device is a milling instrument.

126. The combination of claim 124, wherein said device includes a cutting tool with a V-shaped profile.

127. The orthopedic implant of claim 60, wherein at least one of said projections has a length parallel to the mid-longitudinal axis of said implant and a maximum height perpendicular to the length, the length of said at least one projection being greater than its maximum height.

128. The combination of the orthopedic implant of claim 87 and a device for forming said surface projections on said exterior surface of said implant.

129. The combination of claim 128, wherein said device is a milling instrument.

130. The combination of claim 128, wherein said device includes a cutting tool with a V-shaped profile.

131. The orthopedic implant of claim 87, wherein at least one of said projections has a length parallel to the mid-longitudinal axis of said implant and a maximum height perpendicular to the length, the length of said at least one projection being greater than its maximum height.

132. The orthopedic implant of claim 1, further comprising at least one cut cleaving said surface projection into at least two portions.

133. The orthopedic implant of claim 132, further comprising at least a second cut cleaving said surface projection into at least four portions.

134. The orthopedic implant of claim 132, where said cut penetrates said surface projection at a depth substantially equal to that of the height of said surface projection.

135. The orthopedic implant of claim 133, where said second cut penetrates said surface projection at a depth substantially equal to that of the height of said surface projection.

136. The orthopedic implant of claim 132, wherein said cut is oriented along one of the mid-longitudinal axis of said implant, an axis perpendicular to the mid-longitudinal axis of said implant, and an axis at an angle between the mid-longitudinal axis and the axis perpendicular to the mid-longitudinal axis of said implant.

137. The orthopedic implant of claim 1, further comprising at least a fifth and a sixth surface projection each having a third facet configuration with at least one forward facet directed at least in part toward the leading end and at least one rearward portion directed at least in part toward the trailing end. said forward facet and said rearward portion of said third facet configuration having a length and a slope, the

length of said forward facet of said third facet configuration being longer than the length of said rearward portion of said third facet configuration, the slope of said rearward portion of said third facet configuration being steeper than the slope of said forward facet of said third facet configuration, said fifth and sixth surface projections each having a peak along a third line that is transverse to the mid-longitudinal axis and off-set from the first and second lines, said third facet configuration of said fifth and sixth surface projections being different from said first facet configuration of said first and second surface projections and said second facet configuration of said third and fourth surface projections.

138. The orthopedic implant of claim 1, wherein at least one of said surface projections along the first line have a maximum height from said exterior surface of said implant that is substantially the same as the maximum height of one or said surface projections along the second line.

139. The orthopedic implant of claim 1, wherein said implant includes at least three surface projections having said first facet configuration along the first line and at least three surface projections having said second facet configuration along the second line.

140. The orthopedic implant of claim 1, wherein said implant includes at least four surface projections having said first facet configuration along the first line and at least four surface projections having said second facet configuration along the second line.

141. The orthopedic implant of claim 1, wherein said implant includes at least five surface projections having said first facet configuration along the first line and at least five surface projections having said second facet configuration along the second line.

142. The orthopedic implant of claim 60, further comprising at least one cut cleaving said surface projection into at least two portions.

143. The orthopedic implant of claim 142, where said cut penetrates said surface projection at a depth substantially equal to that of the height of said surface projection.

144. The orthopedic implant of claim 60, further comprising at least a fifth and a sixth surface projection each having a third facet configuration with at least one forward facet directed at least in part toward the leading end and at least one rearward portion directed at least in part toward the trailing end, said forward facet and said rearward portion of said third facet configuration having a length and a slope, the length of said forward facet of said third facet configuration being longer than the length of said rearward portion of said third facet configuration, the slope of said rearward portion of said third facet configuration being steeper than the slope of said forward facet of said third facet configuration, said fifth and sixth surface projections each having a peak along a third line that is transverse to the mid-longitudinal axis and off-set from the first and second lines, said third facet configuration of said fifth and sixth surface projections being different from said first facet configuration of said first and second surface projections and said second facet configuration of said third and fourth surface projections.

145. The orthopedic implant of claim 60, wherein at least one of said surface projections along the first line have a maximum height from said exterior surface of said implant that is substantially the same as the maximum height of one of said surface projections along the second line.

146. The orthopedic implant of claim 60, wherein said implant includes at least three surface projections having

said first facet configuration along the first line and at least three surface projections having said second facet configuration along the second line.

147. The orthopedic implant of claim 60, wherein said implant includes at least four surface projections having said first facet configuration along the first line and at least four surface projections having said second facet configuration along the second line.

148. The orthopedic implant of claim 60, wherein said implant includes at least five surface projections having said first facet configuration along the first line and at least five surface projections having said second facet configuration along the second line.

149. The orthopedic implant of claim 87, further comprising at least one cut cleaving said surface projection into at least two portions.

150. The orthopedic implant of claim 149, where said cut penetrates said surface projection at a depth substantially equal to that of the A height of said surface projection.

151. The orthopedic implant of claim 87, further comprising at least a fifth and a sixth surface projection each having a third facet configuration with at least one forward facet directed at least in part toward the leading end and at least one rearward portion directed at least in part toward the trailing end, said forward facet and said rearward portion of said third facet configuration having a length and a slope, the length of said forward facet of said third facet configuration being longer than the length of said rearward portion of said third facet configuration, the slope of said rearward portion of said third facet configuration being steeper than the slope of said forward facet of said third facet configuration, said fifth and sixth surface projections each having a peak along a third line that is transverse to the mid-longitudinal axis and off-set from the first and second lines, said third facet configuration of said fifth and sixth surface projections being different from said first facet configuration of said first and second surface projections and said second facet configuration of said third and fourth surface projections.

152. The orthopedic implant of claim 87, wherein at least one of said surface projections along the first line have a maximum height from said exterior surface of said implant that is substantially the same as the maximum height of one of said surface projections along the second line.

153. The orthopedic implant of claim 87, wherein said implant includes at least three surface projections having said first facet configuration along the first line and at least three surface projections having said second facet configuration along the second line.

154. The orthopedic implant of claim 87, wherein said implant includes at least four surface projections having said first facet configuration along the first line and at least four surface projections having said second facet configuration along the second line.

155. The orthopedic implant of claim 87, wherein said implant includes at least five surface projections having said first facet configuration along the first line and at least five surface projections having said second facet configuration along the second line.

156. The orthopedic implant of claim 16, wherein said angle is approximately 45 degrees relative to the mid-longitudinal axis of said implant.

UNITED STATES PATENT AND TRADEMARK OFFICE
CERTIFICATE OF CORRECTION

PATENT NO. : 7,115,143 B1
APPLICATION NO. : 09/572518
DATED : October 3, 2006
INVENTOR(S) : Gary K. Michelson

Page 1 of 2

It is certified that error appears in the above-identified patent and that said Letters Patent is hereby corrected as shown below:

Column 11:

Line 5, before "leading" insert -- a --;

Column 12:

Line 26, change "implant said" to -- implant, said --;

Lines 51, 55 and 59, change "claim 1" to -- claim 1, --;

Column 13:

Line 18, change "claim 32" to -- claim 32, --;

Line 30, change "claim 37" to -- claim 37, --;

Column 16:

Line 46, change "to of" to -- to --;

Column 17:

Line 39, change "including;" to -- including: --;

Line 48, change "implant and" to -- implant; and --;

Column 19:

Line 32, change "claim 100" to -- claim 106 --;

Line 50, change "claim 1" to -- claim 1, --;

Line 62, change "claim 117" to -- claim 87 --;

Column 20:

Line 48, change "where said" to -- wherein said --;

Line 66, change "trailing end." to -- trailing end, --;

Column 21:

Line 17, change "or said" to -- of said --;

Line 36, change "where said" to -- wherein said --; and

UNITED STATES PATENT AND TRADEMARK OFFICE
CERTIFICATE OF CORRECTION

PATENT NO. : 7,115,143 B1
APPLICATION NO. : 09/572518
DATED : October 3, 2006
INVENTOR(S) : Gary K. Michelson

Page 2 of 2

It is certified that error appears in the above-identified patent and that said Letters Patent is hereby corrected as shown below:


Column 22:

Line 17, change "where said" to -- wherein said --;

Line 19, change "A height" to -- height --.

Signed and Sealed this

Sixteenth Day of January, 2007

A handwritten signature in black ink on a light gray dotted background. The signature reads "Jon W. Dudas" in a cursive style.

JON W. DUDAS

Director of the United States Patent and Trademark Office