



(19) **United States**
(12) **Reissued Patent**
Michelson et al.

(10) **Patent Number: US RE37,161 E**
(45) **Date of Reissued Patent: May 1, 2001**

(54) **ANTERIOR SPINAL INSTRUMENTATION AND METHOD FOR IMPLANTATION AND REVISION**

5,397,364 * 3/1995 Kozak et al. 623/17

OTHER PUBLICATIONS

Ser. No. 08/219,626 Mar., 1994 Michelson.*

* cited by examiner

Primary Examiner—Michael Buiz

Assistant Examiner—David O. Reip

(74) *Attorney, Agent, or Firm*—Martin & Ferraro, LLP

(75) Inventors: **Gary K. Michelson**, Venice, CA (US);
Lawrence M. Boyd, Memphis, TN (US)

(73) Assignee: **Gary Karlin Michelson**, Venice, CA (US)

(57) **ABSTRACT**

(21) Appl. No.: **09/488,634**

(22) Filed: **Jan. 20, 2000**

A system and method for anterior fixation of the spine utilizes a cylindrical implant engaged in the intradiscal space at the cephalad and caudal ends of the construct. The implants are cylindrical fusion devices (10) filled with bone material to promote bone ingrowth and fusion of the disc space. An attachment member (40) is connected to each of the fusion devices (10) and bone screws (30) having similar attachment members (33) are engaged in the vertebral bodies of the intermediate vertebrae. A spinal rod (50) is connected to each of the attachment members using an eyebolt assembly (53, 54, 55). In a further inventive method, a revision of the construct is achieved by removing the fusion devices. Each fusion device is engaged by an elongated guide member (62) over which a cylindrical trephine (70) is advanced. The trephine (70) has an inner diameter larger than the diameter of the fusion implant and includes cutting teeth (72) for extracting a core (84) of bone material around the fusion implant. The trephine (70) and guide member (62) are removed along with the bone core (84) containing the fusion implant (10). The trephine (70) is also used to extract a bone dowel from a solid bone mass to be inserted into the space left by the removed bone core (84).

Related U.S. Patent Documents

Reissue of:

(64) Patent No.: **5,683,391**
Issued: **Nov. 4, 1997**
Appl. No.: **08/482,447**
Filed: **Jun. 7, 1995**

(51) **Int. Cl.**⁷ **A61B 17/70**

(52) **U.S. Cl.** **606/61; 606/72; 623/17**

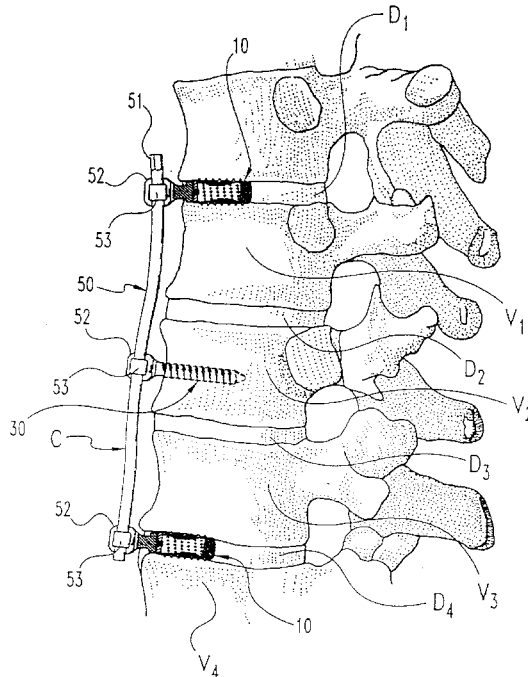
(58) **Field of Search** **606/60, 61, 72, 606/73; 623/17; 433/173, 174**

(56) **References Cited**

U.S. PATENT DOCUMENTS

3,426,364	*	2/1969	Lumb	623/17
3,848,601	*	11/1974	Ma et al.	606/61
4,820,305	*	4/1989	Harms et al.	623/16
4,877,020	*	10/1989	Vich	606/86
5,015,247	*	5/1991	Michelson	606/61
5,196,014	*	3/1993	Lin	606/61
5,261,909	*	11/1993	Sutterlin et al.	606/61

11 Claims, 7 Drawing Sheets



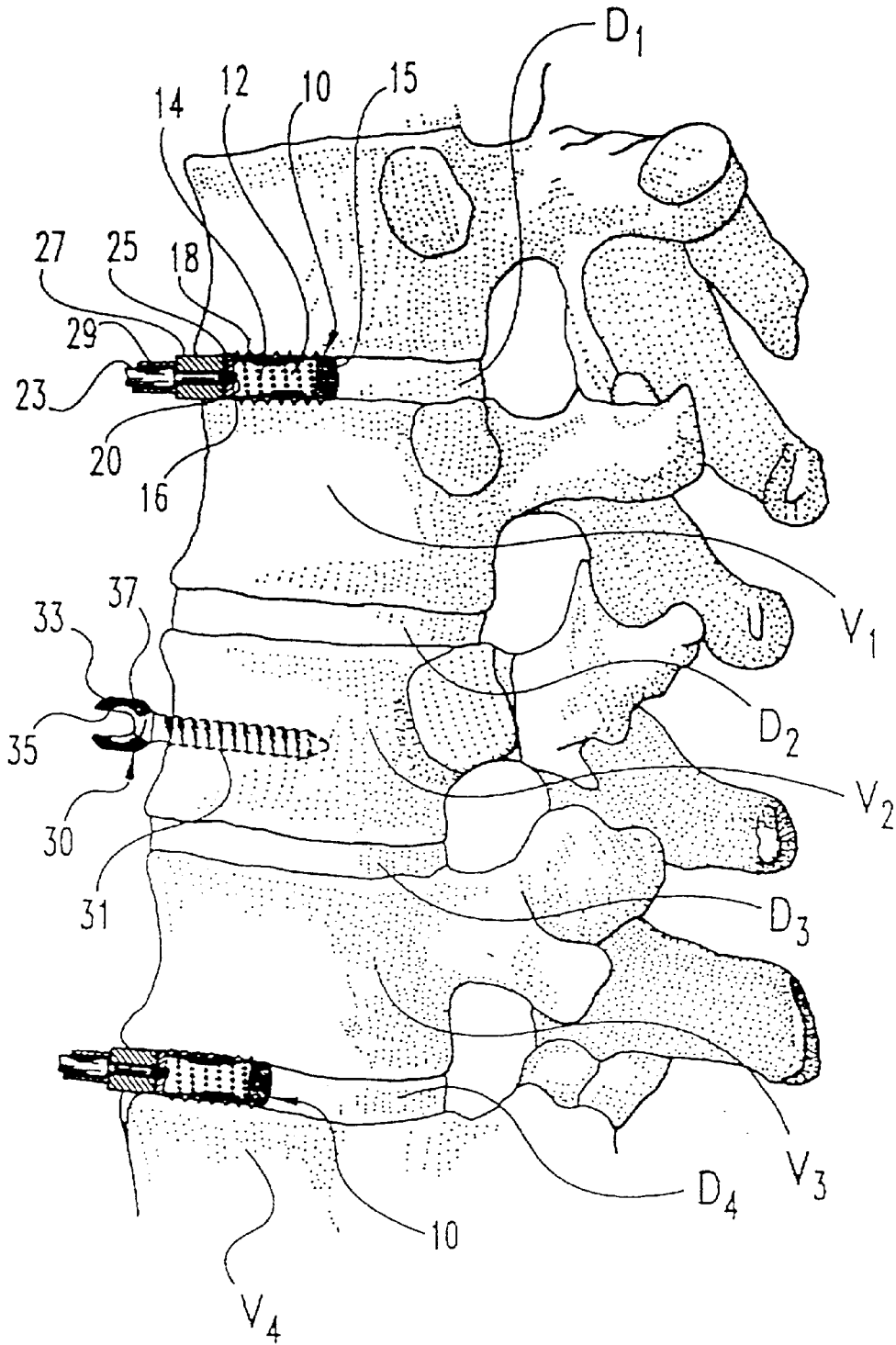


Fig. 1

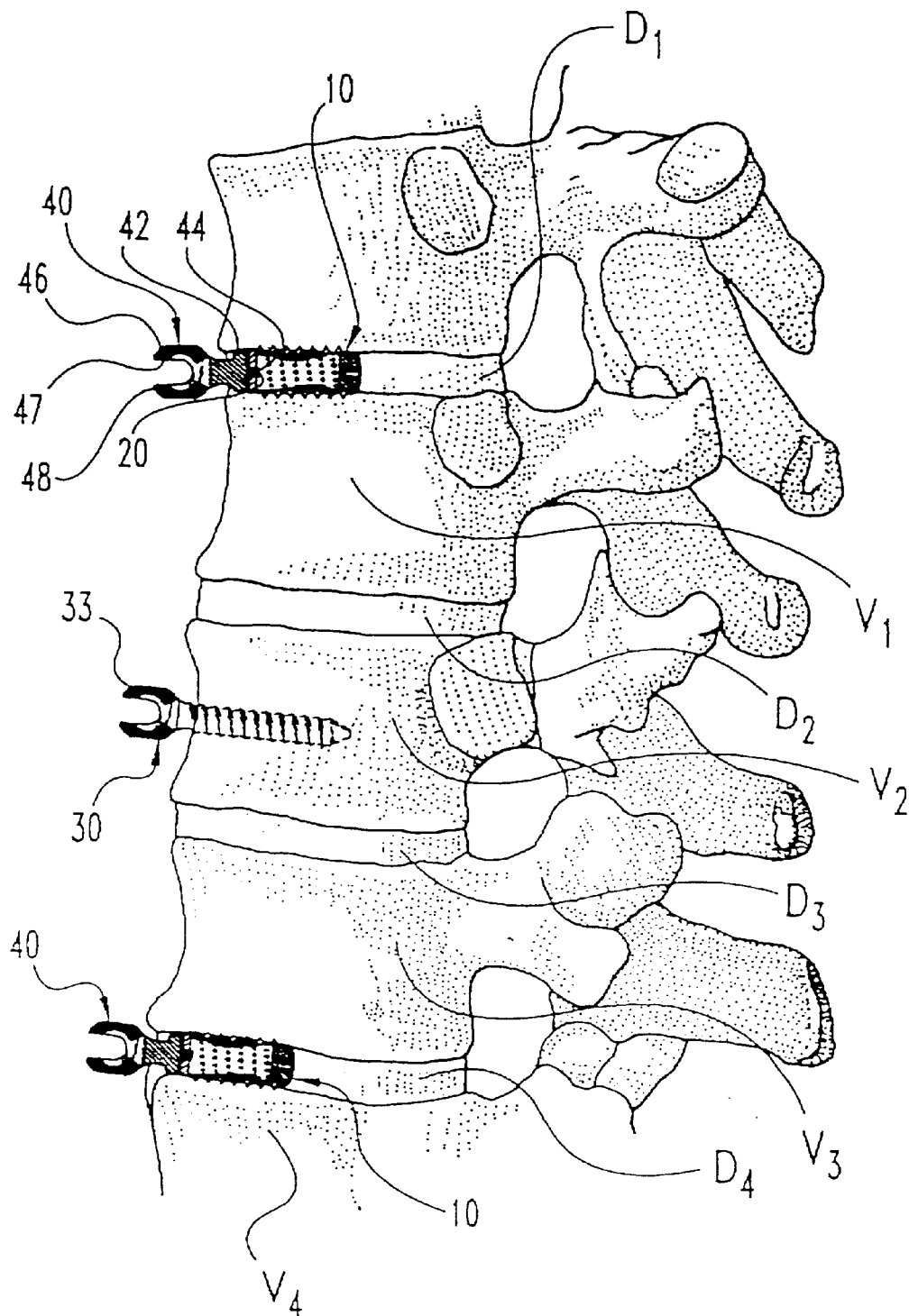


Fig. 2

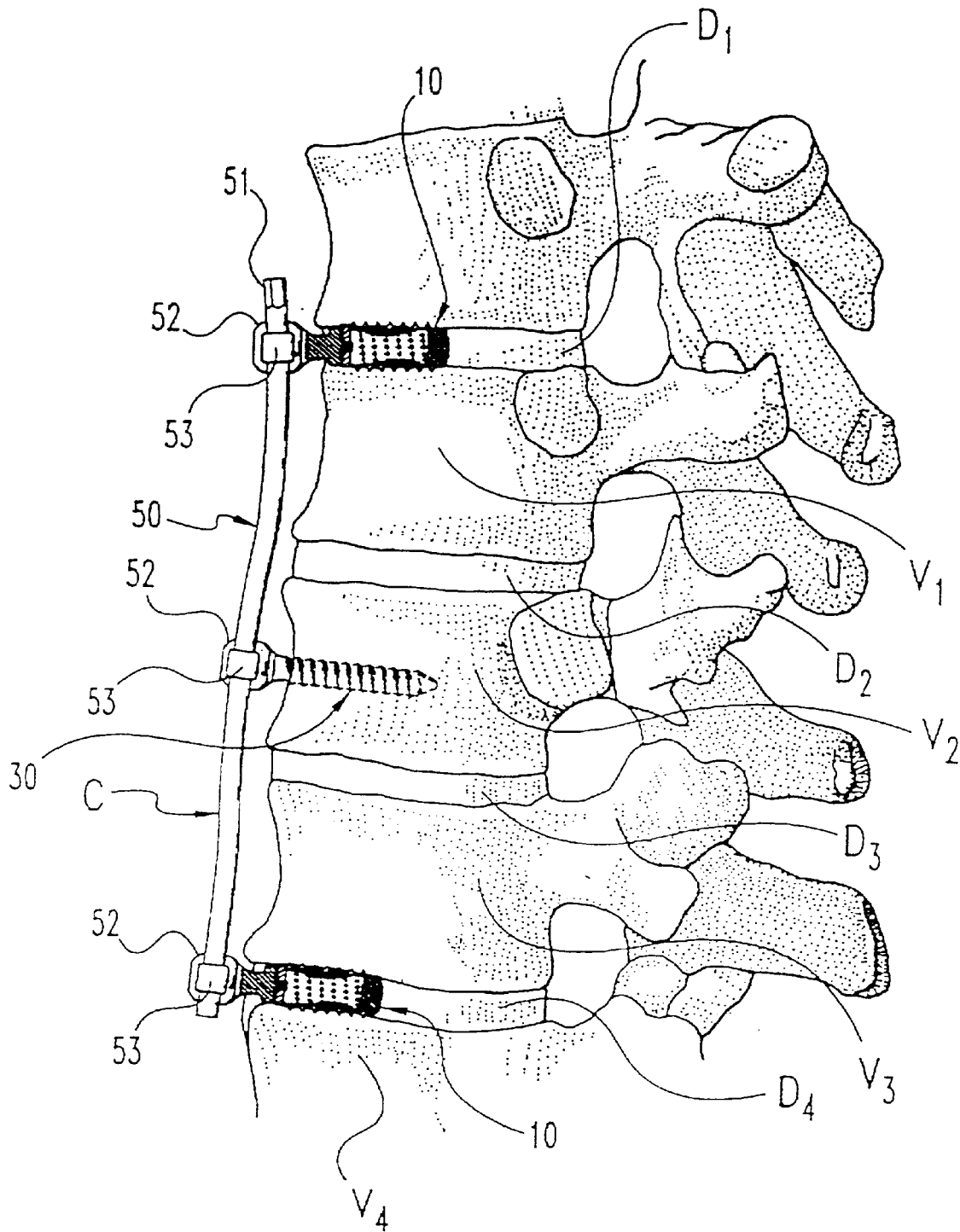


Fig. 3

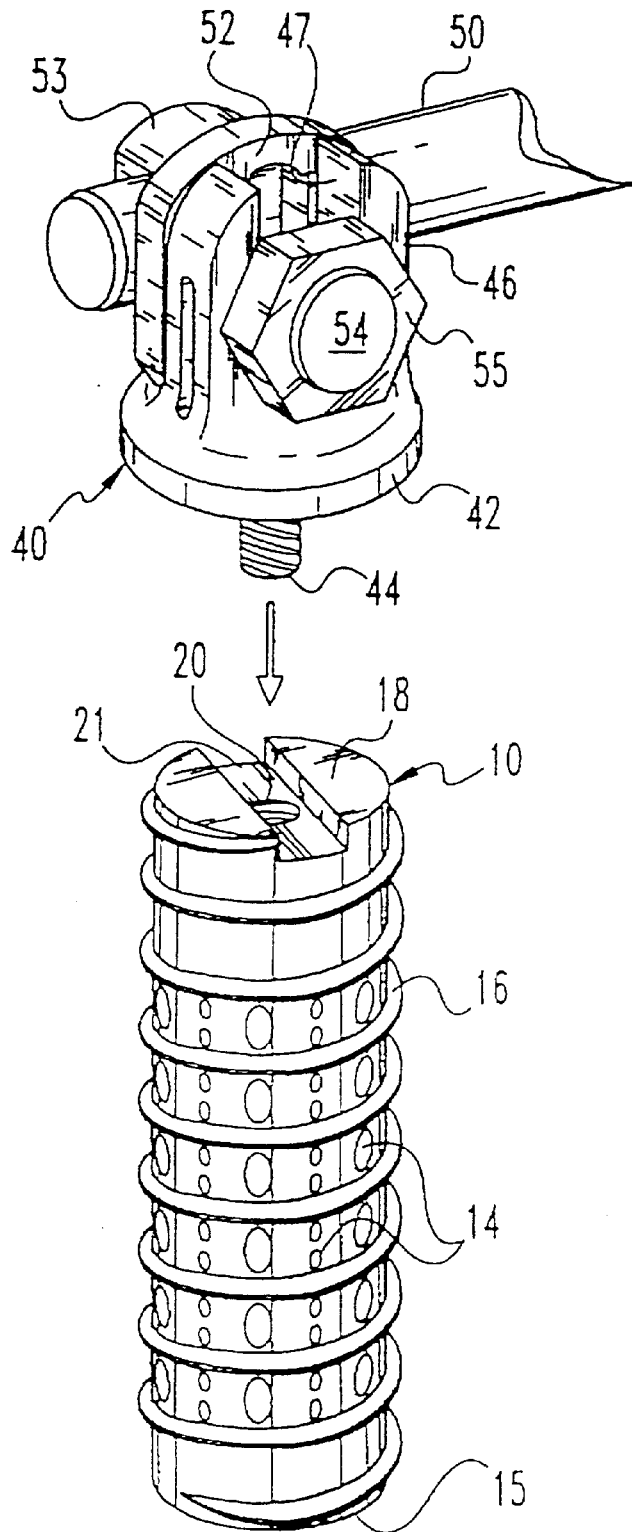


Fig. 4

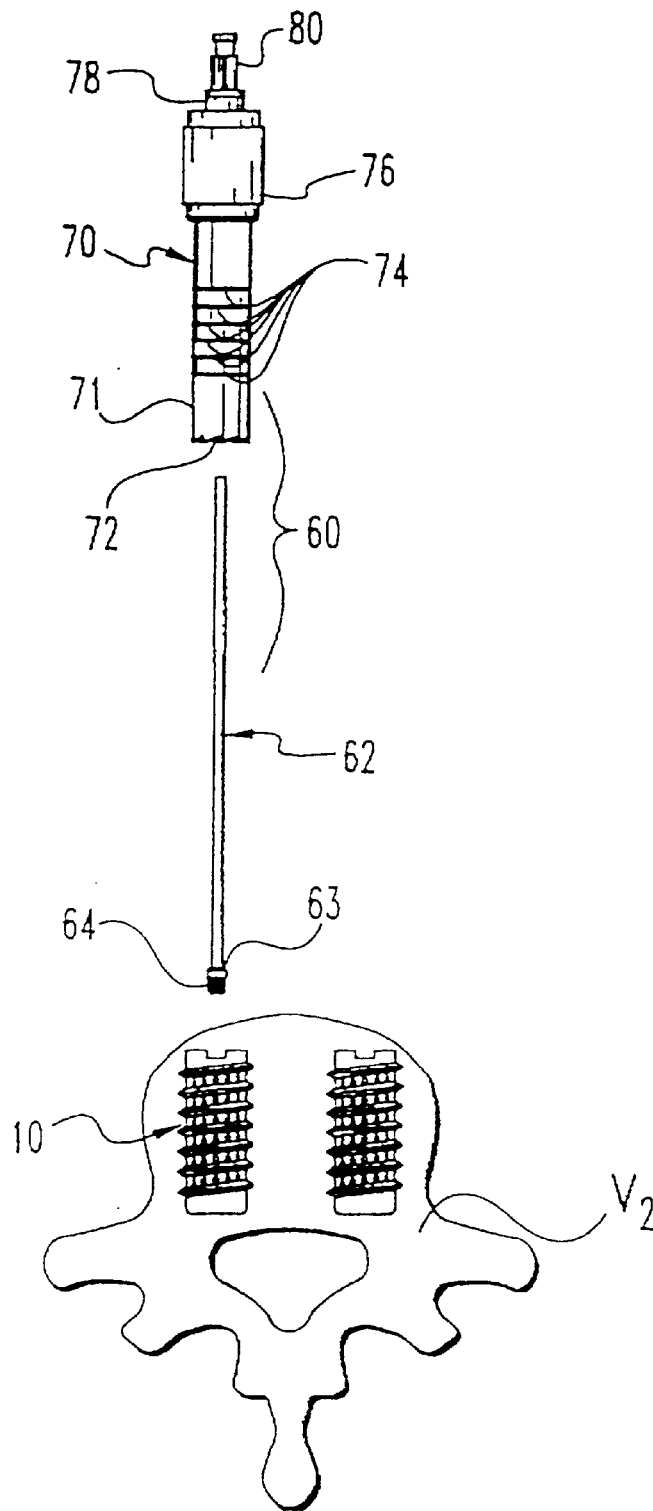


Fig. 5

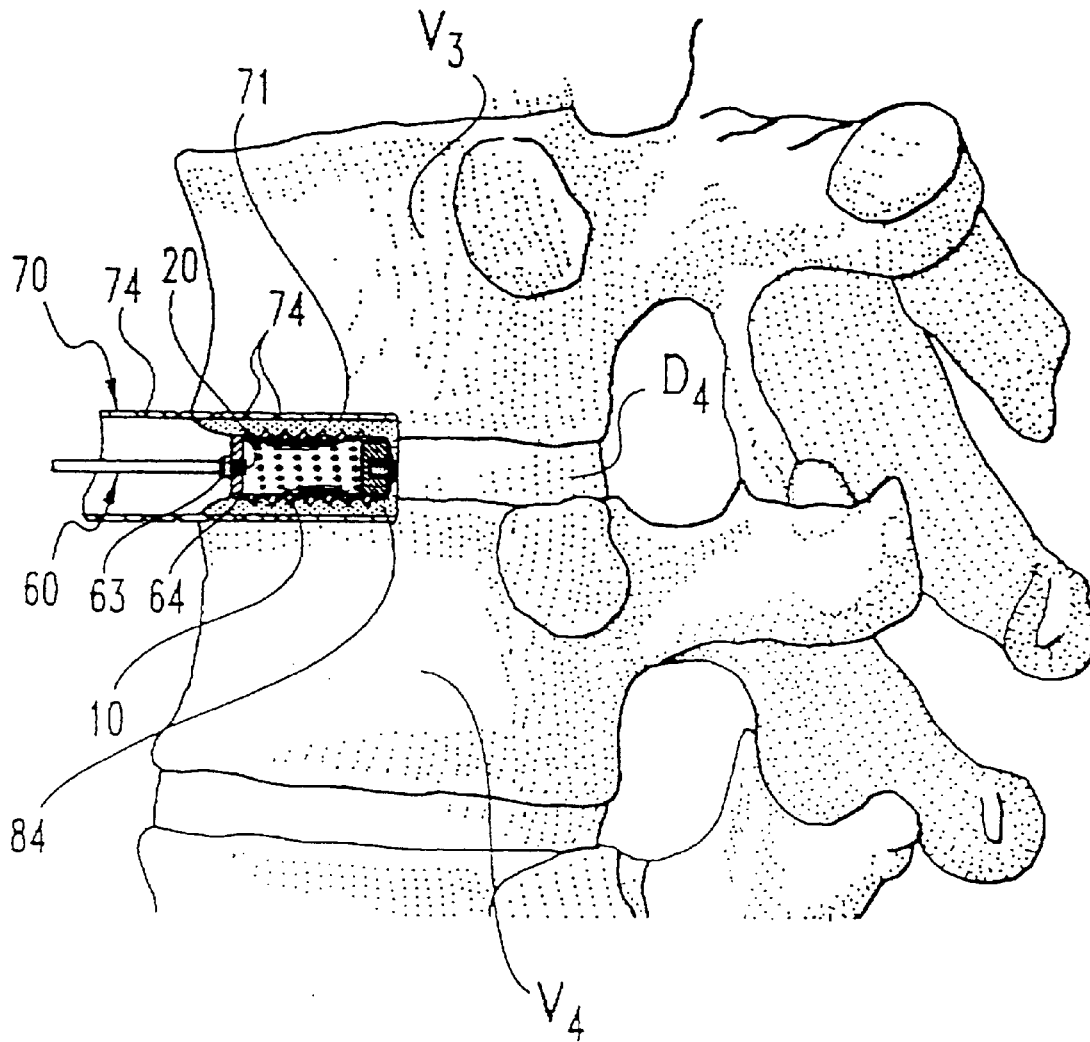


Fig. 6

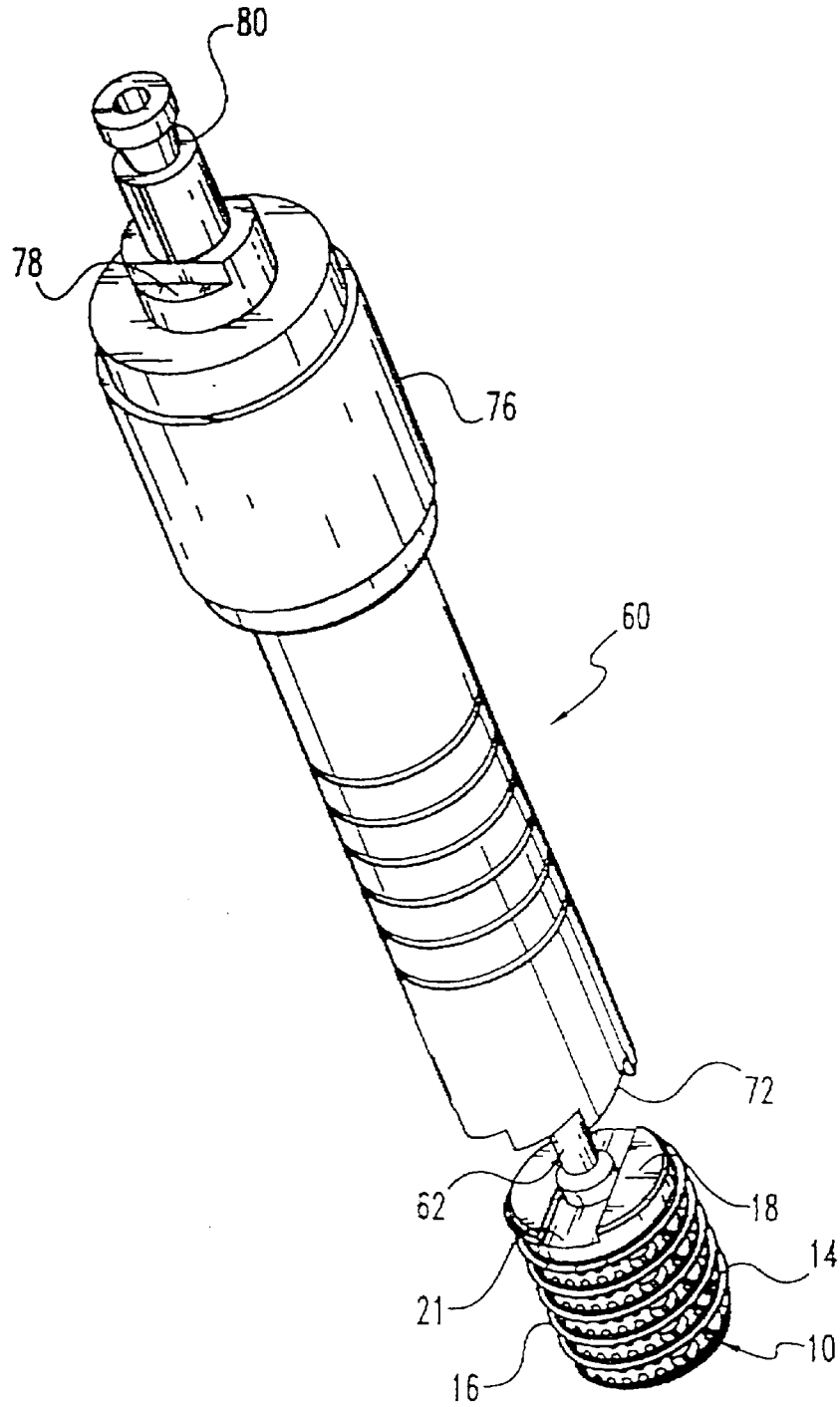


Fig. 7

**ANTERIOR SPINAL INSTRUMENTATION
AND METHOD FOR IMPLANTATION AND
REVISION**

Matter enclosed in heavy brackets [] appears in the original patent but forms no part of this reissue specification; matter printed in italics indicates the additions made by reissue.

BACKGROUND OF THE INVENTION

The present invention concerns a spinal instrumentation system utilizing elongated members extending along the length of the spine and attached to multiple vertebrae by fixation elements, such as bone screws. In particular, the invention concerns anterior instrumentation, together with a surgical technique for implanting the instrumentation. The invention also contemplates a surgical revision technique for this spinal instrumentation.

Historically, correction of spinal disorders and treatment of spinal injuries was approached posteriorly, or namely from the back of the patient. Initially, the anterior approach to spinal instrumentation, that is from the front and side of the patient, was not favored, due to the unfamiliarity of this approach to spinal surgeons and due to the fear of severe complications, such as neurovascular injury or compromise of the spinal cord. However, in the face of some reported difficulties in addressing correction of thoracolumbar and lumbar scoliotic curvatures from a posterior approach, surgeons sought anterior forms of correction and stabilization. One such technique was developed by Dwyer in Australia during the 1960's in which a staple-screw construct was applied to the convex side of the scoliotic curvature. The screws were connected by a cable and correction was obtained by applying compressive forces at each instrumented level. The anterior spinal compression produced tensile forces within the cable which in turn generated a corrective bending moment at each of the vertebral levels.

On the heels of Dwyer's success, other anterior instrumentation followed. Further, surgeons began to recognize that certain spinal treatments were best approached anteriorly, rather than posteriorly. Anterior approaches give direct access to the intervertebral disc space for anterior release and interbody fusion. Presently, common indications for anterior instrumentation include: lumbar scoliosis with deficient posterior elements; thoracolumbar curves with extreme lordosis; paralytic thoracolumbar scoliosis requiring both an anterior and a posterior fusion; thoracolumbar spine trauma, such as burst fractures; and degenerative conditions of the vertebral body. In the case of burst fractures, it is known that neurocompression occurs from the anterior direction. Further, anterior debridement of fracture fragments is frequently believed to be a more effective means to decompress the spinal canal, as opposed to known posterior techniques.

Since the initial Dwyer instrumentation, many anterior plate and rod systems have been developed, such as the systems of Dunn, Kostuik-Harrington, Zielke and Kaneda. Many of these systems permit dynamic distraction of the vertebrae followed by direct compression of implanted bone graft contained within the resected disc space and after decompression of the neural elements.

Many of these anterior systems can lead to complications. Some of the more prominent problems that have occurred involve failure of the fixation components, and an often high incidence of loss of reduction or correction. Many of the difficulties in this respect can be traced to the vertebrae

instrumented at the end of the construct where the loads on the instrumentation are the greatest. In some cases, bicortical purchase of vertebral body screws has been found to assure a more solid fixation at the ends of the construct and to protect against dislodgement of the screws. There does, however, still remain a need for an anterior instrumentation that can provide adequate correction of spinal deformities and that can be easily implanted. In addition, the system must ensure a strong fixation that will not deteriorate over time resulting in a loss of correction.

In some cases, it has been found that revision surgery is necessary, even when following the best possible surgical implantation of the instrumentation. Frequent indications for revision of spinal instrumentation include extension of existing instrumentation, and replacement of failed implants. In the cases involving early spinal implants, revision required cutting away the spinal implants. As implant design became more sophisticated, capabilities were developed for revision surgery that was relatively safe to the patient and non-destructive to implants, particularly those implants that were intended to be retained.

In systems using bone screws, revision surgeries can significantly compromise the vertebral body. In addition, in certain anterior approaches where stronger fixation is essential, revision procedures to replace failed components may necessarily compromise the new construct.

In view of these difficulties, there is a need for a spinal fixation system that is readily suited for revision surgery. Specifically, the system must be suitable for the addition or removal of components by way of revision without sacrificing either an existing construct or eliminating the possibility of implanting a new, more stable construct. In addition, there is a need for revision techniques that permit complete removal of a construct once fusion has occurred, again without compromising the spine or the implants.

SUMMARY OF THE INVENTION

To address these needs, the present invention contemplates a method for anterior fixation of the spine commencing with a thoracoabdominal exposure of the spinal segments to be instrumented. In the preferred embodiment, fusion devices are implanted within the cephalad and caudal disc spaces after a total discectomy. The fusion devices are configured to contain bone growth material to promote bone ingrowth and consequently fusion of the instrumented disc spaces. These cephalad and caudal fusion devices serve as anchors to ensure a stable and solid anterior construct.

In accordance with the method, bone screws are engaged within the vertebral bodies of the intermediate vertebrae. Preferably, the bone screws are variable angle screws having a cancellous threaded portion that is long enough to engage both lateral cortices of the respective vertebrae. An attachment member is provided having a head portion configured substantially similar to the head portion of the variable angle screw. In the preferred embodiment, eyebolt assemblies are used to attach and fix the head portions of the variable angle screws and the attachment members to an elongated spinal rod. The rod is positioned posteriorly of the head portions and is offset from the longitudinal axis of the fusion implant. It has been found that this anterior system and surgical technique provides a more reliable and complete decompression of the spinal canal. The use of the fusion devices as anchors at the ends of the construct renders this anterior instrumentation a viable alternative to address spinal conditions previously reserved for treatment from a posterior approach.

3

The system in accordance with one embodiment utilizes a threaded cylindrical fusion implant that is placed between or threaded into the endplates of the adjacent vertebrae. The implant can be filled with morcellized autologous bone to promote fusion through the implant and between the vertebral endplates. One end of the fusion implant is laterally disposed and accessible for placement of an attachment member. In one embodiment, the exposed end has a threaded opening for receiving a threaded post of the attachment member. In accordance with one feature of the present invention, the attachment member also includes a head portion that is configured substantially similar to the head of the bone screw engaged in the intermediate vertebrae. The head portion defines a slot for receiving the body of an eyebolt assembly, and includes a pattern of radial serrations. The head portions of the fusion implant attachment members and the bone screws are engaged to the spinal rod by a variable angle connection member comprising an eyebolt, nut and splined washer. The attachment member provides a significant benefit in that it adapts a known fusion implant to appear and behave as a bone screw with enhanced rigidity and fixation.

In another aspect of the invention, a surgical technique for revision of the spinal instrumentation is contemplated. More specifically, the revision technique is applied to removal of a cylindrical fusion implant fused in an intradiscal space. The revision technique relies upon a guide member connected to the fusion implant in situ. A cylindrical trephine is concentrically disposed over the guide member for advancement to the implant site. The trephine has an inner diameter slightly larger than the outer diameter of the fusion implant.

With the fusion implant held by the guide member, and the member guiding advancement of the trephine, the trephine is rotated so that its cutting teeth progressively cut around the fusion implant and into the vertebral bone. Once the cutting teeth of the trephine is advanced past the end of the fusion implant, the trephine is withdrawn, leaving an excised core of bone surrounding the fusion implant. The guide member is used to finally extract the fusion device and its surrounding bone core. This defect can then be exactly filled with an appropriately sized bone plug or dowel. Preferably, the same trephine is used to obtain the bone plug from a solid bone mass, such as the iliac crest.

It is one object of the present invention to present a novel method for anterior instrumentation of the spine. A further object resides in features of the anterior technique and the implant system itself that provides a rigid and secure fixation of the spine, especially at the cephalad and caudal extremes of the system.

Another object is to provide a system that can capitalize on benefits of an intervertebral fusion device serving as an anchor to the system. Other objects and the significant benefits of the present invention will become apparent on consideration of the following written description and the accompanying figures.

DESCRIPTION OF THE FIGURES

FIG. 1 is a view from the anterior aspect of a portion of the spine showing cylindrical fixation devices according to the present invention depicted in partial cross-section and implanted within a vertebral body and intradiscal spaces.

FIG. 2 is a view of the portion of the spine shown in FIG. 1 with additional components added to permit engagement of the fixation elements to an elongated rod.

FIG. 3 is a view of the portion of the spine shown in FIG. 2 instrumented with a spinal rod extending between the three vertebral motion segments.

4

FIG. 4 is an exploded perspective view of a hollow screw and rod engaging elements as used in the construct depicted in FIG. 3.

FIG. 5 is an exploded view of instrumentation configured for removal of a cylindrical fusion implant disposed between adjacent vertebrae as part of a revision technique in accordance with the present invention.

FIG. 6 is a view of a portion of the vertebral column depicted in FIG. 1 showing use of the instrumentation of FIG. 5 for removal of a hollow screw.

FIG. 7 is a perspective view of the removal instrument with the hollow screw engaged thereto.

DESCRIPTION OF THE PREFERRED EMBODIMENTS

For the purposes of promoting an understanding of the principles of the invention, reference will now be made to the embodiments illustrated in the drawings and specific language will be used to describe the same. It will nevertheless be understood that no limitation of the scope of the invention is thereby intended, such alterations and further modifications in the illustrated device, and such further applications of the principles of the invention as illustrated therein being contemplated as would normally occur to one skilled in the art to which the invention relates.

Referring now to FIG. 1, initial steps of the surgical technique contemplated by the present invention are illustrated. In particular, the invention contemplates anterior fixation of several vertebral segments, identified as vertebra vertebrae V_1 - V_4 and their adjacent discs D_1 - D_4 . This anterior instrumentation could be used, for instance, to correct a lumbar scoliosis condition followed by fusion of the affected vertebral levels. Initially, the lateral aspects of the vertebral bodies are revealed by way of a thoracoabdominal exposure. A discectomy can be performed on each of the disc spaces D_1 - D_4 , since these motion segments will be eliminated by the permanent stabilization implants.

Using calipers, the distance of the cortices of the intermediate vertebral bodies is determined to assess the length of the bone screw to be placed laterally into the vertebra. In this instance, the intermediate vertebra V_2 is instrumented with a variable angle screw **30**. A preferred variable angle screw is described in detail in U.S. Pat. No. 5,261,909 to Dr. Chester Sutterlin, et al., which is owned by the assignee of the present invention. The disclosure of this '909 Patent is incorporated herein by reference as it pertains to the description of the variable angle screw **30** and its engagement to a spinal rod. For the purposes of the present disclosure, the variable angle screw **30** includes a bone engaging portion **31** or threaded shank which is sized to preferably span the distance between the cortices on the lateral sides of the vertebral body V_2 . The screw **30** includes a head portion **33** which defines a slot **35** for receiving an eyebolt body therethrough. The head portion **33** also includes a plurality of radial splines **37** formed thereon for interdigitation with a corresponding washer to be discussed below.

In the illustrated embodiment, only four vertebral levels are instrumented. Consequently, the top and bottom most disc spaces D_1 and D_4 are instrumented with a hollow screw that is configured to enhance the degree of fixation to the adjacent vertebrae. In particular, the hollow screw includes a first portion in the manner of a cylindrical implant **10**. Preferably this implant **10** is a fusion device that permits bone ingrowth for fusion and permanent fixation. In accordance with the preferred embodiment of the present invention, this cylindrical implant **10** is a threaded spinal

implant as described in U.S. Pat. No. 5,015,247 of Dr. Gary Michelson. The disclosure of this implant in the '247 Patent is incorporated herein by reference. Other fusion devices are contemplated, such as the interbody fusion device of Dr. Kozak described in U.S. Pat. No. 5,397,364, which disclosure is incorporated herein by reference. This Kozak device, and other fusion devices, can be modified for lateral introduction into the intradiscal space for implementation in the present inventive surgical technique.

For purposes of the present invention, the cylindrical implant **10** defines a hollow interior chamber **12** which can be filled with bone graft material or bone chips. A plurality of apertures **14** are defined through the implant to communicate with the hollow interior to permit tissue ingrowth. A threaded end cap **15** encloses an open end of the implant to allow the implant to be filled and retain bone chips in the hollow interior chamber **12** prior to implantation. The exterior surface of the implant **10** includes bone engaging threads **16** formed thereon which are configured to be screw-threaded into the end plates of the adjacent vertebrae. The cylindrical implant **10** has a rear surface **18** which is exposed laterally when the implant **10** is threaded into the disc space D_1 . This rear surface **18** defines a threaded opening **20** therethrough. Further details of the construction of this preferred cylindrical implant can be gathered from the '247 patent.

The cylindrical implant **10** can be implanted between the two pairs of adjacent vertebrae in the manner disclosed in the '247 Patent, which technique is described at cols. 9-10 and is incorporated by reference. Once the site has been prepared in the disc space, an insertion rod **23** having a threaded post **25** can be engaged to the threaded opening **20** in the rear surface **18** of the implant. A guide member **27** concentrically surrounds the insertion rod, with the rod specifically passing through bore **29** in the guide member. The insertion rod **23** and guide member **27** are used to drive each of the cylindrical implants **10** into their respective intradiscal spaces D_1 and D_4 . Again, further details of the manner of implantation of the hollow implant **10** are disclosed more fully in the '247 Patent. It is understood that other similar intradiscal implants could be utilized, providing that the implant includes a threaded opening at its rear surface, such as the threaded opening **20** of rear surface **18**, or some equivalent thereto. For example, the Kozak interbody fusion device of the '364 Patent incorporated above can be modified to include a similar threaded opening at a lateral face of the device.

Referring now to FIG. 2, the instrumented segments are seen with the hollow implants **10** fully disposed within the disc spaces D_1 and D_4 . Likewise, the variable angle screw **30** is fully inserted into the vehicle body V_2 . Preferably, the screw **30** sits with the screw head **33** flush against the lateral surface of the vertebra.

At the opposite anchoring ends of the construct, at disc spaces D_1 and D_4 , an attachment head **40** is engaged to each cylindrical implant **10**. Specifically, the attachment head **40** includes a base **42** from which projects a threaded stem **44**. The threaded stem **44** is adapted to engage the threaded opening **20** in the rear surface **18** of the cylindrical implant **10**. The attachment head **40** includes a head portion **46** which is substantially similar to the head portion **33** of the variable angle screw **30** described above. In particular, the head portion **46** includes an eyebolt slot **47** and is equipped with radial splines **48** on one surface of the head portion. Each of the cylindrical implants **10** receive a corresponding attachment head **40**.

Preferably, the head portions **46** of the attachment heads **40** and the head portion **33** of the variable angle screw **30** are

maintained in a straight line from the cephalad to the caudal ends of the instrumented segments. With the surgical approach of the present invention, it is not necessary to use specific derotation or screw placement techniques to produce a lordosis in the instrumented segments. Instead, as provided in the next steps of the procedure depicted in FIG. 3, a rod **50** is contoured at a curvature C to produce the lumbar lordosis or thoracic kyphosis in the sagittal plane. Generally, the rod **50** will be contoured to conform to the scoliotic curvature with the rod arranged on the concave side of the curvature. Once the rod has been contoured, it is attached to each of the head portions **33** and **46** by way of a splined washer **52** and connection member, preferably in the form of an eyebolt assembly. As shown in FIG. 3, the eyebolt assembly includes a body **43** which extends both through the splined washer **52** and through the slots **35** and **47** in the respective variable angle screw head portions **33** and attachment head portions **46**. These details of the eyebolt construct are shown more clearly in FIG. 4. It is also recognized that this same eyebolt attachment assembly is described in the '909 Patent, which has been incorporated herein by reference.

Referring to FIG. 4, it is seen that the attachment of the head portion **46** of the attachment head **40** is achieved with the splined face of the head portion facing towards the rod **50**. The splined washer **52** is disposed between the rod and the splined face of the attachment head **40**, more particularly with its corresponding splines interdigitating with the splines **48**. As discussed more fully in the '909 Patent, the interdigitating splines allow the rod **50** to be oriented at a variety of angles in the sagittal plane relative to the attachment head **40**. While FIGS. 1-3 depict the fixation screws as being generally parallel to each other for clarity, in reality the head portions **33** and **46** will be oriented at different angles in the frontal plane, depending upon the corrected spinal curvature.

The eyebolt assembly itself includes an eyebolt body **53** which includes an aperture for receiving the spinal rod **50**. A portion of the eyebolt body **53** projects through the splined washer **52**. Extending from the body is a threaded eyebolt stem **54** which receives a nut **55**. Tightening the nut **55** on the stem **54** clamps the entire construct together, namely the rod **50**, the splined washer **52** and the attachment head **40**. A similar eyebolt arrangement is used to engage the variable angle screw **30** to the spinal rod **50**.

At this step of the procedure, each of the eyebolts is tightened enough to seat the rod and the screw heads, while still allowing the rod to rotate within the apertures of the eyebolt assemblies. A hex end **51** is provided on the rod **50** so that the rod can be rotated while still attached to the variable angle screw **30** and the hollow screw **10**. Rolling or rotating the rod in this manner translates the predefined scoliotic curvature into the sagittal plane to produce the requisite lordosis at the instrumented vertebral segments. Once the rod has been rolled to its proper position to produce the lordotic curvature, segmental decompression or compression can be applied to further correct any deformity in the frontal plane. It has been found that instrumenting the vertebral bodies from this anterior approach typically results in a more complete and reliable decompression of the spinal canal than with other approaches, such as a posterior instrumentation. Once the appropriate disc heights have been restored, along with the proper curvature in the front and sagittal planes has been achieved, the eyebolts are tightened to firmly clamp the rod **50** to each of the fixation elements attached to the spine.

In accordance with the preferred embodiment, the spinal rod is offset from the longitudinal axis of the cylindrical

implant (i.e.—the axis extending through the threaded opening **20**). Preferably, the spinal rod is positioned posteriorly to the head portion to which the rod is attached. This placement allows the eyebolt stem and nut to face anteriorly toward the abdominal cavity and away from ore sensitive regions. (It should be noted that for clarity the head portions depicted in FIGS. 1–3 have been shown rotated 180° from this preferred orientation.)

Preferably, each of the hollow implants **10** is filled with morcellized bone graft material, such as autograft. Moreover, at the surgeon's option, the remaining disc space can also be filled with morcellized bone material. One object of using the hollow apertured cylindrical implant **10** and the bone graft material is to induce fusion across the intradiscal spaces. Once fusion occurs, the cylindrical implants **10** which provide the anchor at the opposite ends of the construct will be more rigidly secured to the spine than other known bone screw constructs. It is believed that the use of the fusion implant **10** at the intermediate vertebral segments is not essential, since the loads are not as harsh in the intermediate portions than at the ends of the instrumented vertebral segments.

In specific embodiments, the variable angle screw **30** can be 5.5, 6.5 or 7.5 mm cancellous screw. The cylindrical implants **10** can have an outer threaded diameter of between 10 mm–24 mm. Further, ¼ or ⅜ inch diameter rods can be used, together with appropriately sized eyebolt assemblies. It is of course understood that the length of the threaded cancellous portion of the variable angle screw, as well as the diameter of the cylindrical implants **10** is determined by the geometry of the particular instrumented vertebral segments. It is contemplated that the present inventive surgical technique can be used at all levels of the spine with appropriately sized implants.

It has been found that even with the best preoperative planning some revision of the fixation construct may be required. In addition, failure of the construct before fusion is complete may also necessitate a complete or partial revision of the implant. In some instances, the revision entails cutting away the spinal rod **50** and unthreading each of the bone screws engaged into the vertebrae. With the present invention anterolateral approach and instrumentation, a more refined revision technique and instrumentation is available. Using the present construct, removal of the rod is made extremely simple and reduced simply to the step of loosening the eyebolts attached to each of the head portions at the various vertebral segments. The variable angle screw **30** is readily removed by unthreading the screw from the vertebral body **V₂**. At the cephalad and caudal ends of the construct, the attachment heads **40** are unscrewed from their respective cylindrical implants **10**. To this point, the revision procedure is relatively simple. However, difficulties can arise in removing the cylindrical implants **10** from their respective intradiscal spaces **D₁** and **D₄**. Removal of the implants is particularly more difficult if bone ingrowth has occurred between the vertebral end plates and the hollow anterior **12** of the implant.

Removal of these fusion implants **10** is one important feature of the novel revision technique of the present invention and the associated revision instruments **60**. The instruments **60** include an alignment rod **62** which has a flared end **63** with a threaded post **64** projecting therefrom. The threaded post **64** is configured to engage the threaded opening **20** in the rear surface **18** of the cylindrical implant **10**. In the revision procedure, the alignment rod **62** is engaged to the cylindrical implant **10** by way of the threaded post **64** and threaded opening **20**.

With the alignment rod **62** so positioned, a trephine **70** is advanced over the rod. The trephine **70** includes a tubular cutting end **71** which defines a plurality of jagged cutting teeth **72**. Preferably, the cutting teeth **72** are of known configurations for cutting through cortical bone as the cutting end **71** is rotated in the proper direction. The cutting end **71** further defines a plurality of depth markings or rings **74** which can be used to determine the depth of the trephine **70** in the intradiscal space. The trephine **70** includes a rotation collet **76** at the proximal end of the trephine which is concentrically disposed around the tubular body of the cutting end **71**. The proximal end of the trephine also defines a driving boss **78** which is configured to receive a conventional driving tool or suitable wrench for rotating the cutting end. Finally, the nearest end of the trephine **70** includes an alignment rod clamp **80** which is used to clamp the proximal end of the alignment rod **62** concentrically received within the trephine.

Referring to FIG. 6, it can be seen that the alignment rod **62** is engaged with the cylindrical implant **10** disposed in the disc space **D₄**. The trephine **70** is advanced over the alignment rod **62** until the cutting edge **72** contacts the vertebrae bodies **V₃** and **V₄**. Rotation of the trephine causes the cutting teeth **72** to bore out a core **84** of the bone material surrounding the cylindrical implant **10**. The core **84** can then be removed together with the implant **10** by first withdrawing the trephine **70** and then pulling the alignment rod to remove the entire assembly. In FIG. 7, the cylindrical implant **10** is seen supported by the alignment rod **62** as the entire revision instrumentation **60** is withdrawn from the surgical site.

The depth markings **74** can be used to either limit or determine the depth of insertion of the trephine. In its depth limiting function, the depth of the distal end of the cylindrical implant is already known and is correlated to a particular one of the depth markings. The trephine is then advanced into the vertebrae until the appropriate depth marking is aligned with the vertebral body. The markings **74** can also be used interactively when the insertion of the trephine is monitored under indirect vision. Once it is seen that the cutting edge **72** of the trephine has passed the end of the cylindrical implant, the appropriate depth marking can be noted. Once the implant has been extracted, the noted depth marking is then used to determine the proper size of bone dowel to be extracted from another location to be inserted back into the intradiscal space.

Once the core **84** of bone and the cylindrical implant **10** has been excised from the disc space, an exactly fitted plug or dowel can be reinserted into the remaining bore. The trephine **70** can be used to core out bone from the patient, such as at the iliac crest, which can then be reinserted using the same trephine. Once the trephine is removed, the adjacent vertebrae will collapse around the newly inserted bone plug. This bone dowel will retain the disc height and again permit fusion at the revision site. Moreover, once fusion occurs, the site of the bone plug may be strong enough to support new spinal implants.

The present revision technique carries a significant advantage in that it allows use of hollow cylindrical fusion implants at any position along the construct. It has been found that the use of fusion implants enhances the rigidity and strength of the fixation. This same increased rigidity and strength makes ordinary surgical revisions difficult or impossible to do without causing serious damage to what may be an otherwise healthy vertebral body. Use of the trephine **70** in accordance with the present technique eliminates this risk and permits easy and quick removal of the threaded cylindrical implant, even where fusion has occurred.

While the invention has been illustrated and described in detail in the drawings and foregoing description, the same is to be considered as illustrative and not restrictive in character, it being understood that only the preferred embodiments have been shown and described and that all changes and modifications that come within the spirit of the invention are desired to be protected. For example, in the preferred embodiment of the anterior instrumentation technique a hollow cylindrical fusion implant is used to support the attachment heads for engagement to a spinal rod. However, other intradiscal implants of various configurations may be used provided that the implants permit bone ingrowth. Further, while a spinal rod is disclosed, other longitudinal fixation elements, such as spinal plates, may be utilized in performing this inventive anterior technique.

With respect to the revision technique disclosed herein, the preferred embodiment of the procedure is performed in connection with the disclosed anterior instrumentation. However, the same revision procedure can be used to remove other fusion implants in other settings, with appropriate modification to the trephine to accommodate variations in implant configuration. This inventive technique has particular application, however, in removing fusion implants that engage the endplates or cortical bone of the vertebral body.

What is claimed is:

1. A method for anterior fixation of a spine, comprising the steps of:
 - performing a thoracoabdominal exposure of the segments of the spine to be instrumented with fixation implants; implanting a fusion device into at least one of the cephalad and caudal disc spaces;
 - engaging an attachment member to each fusion device, the attachment member being configured for attachment to an elongated member to extend along the spine; and
 - fixing the elongated member to each attachment member.
2. The method for anterior fixation of the spine of claim 1, wherein:
 - the step of engaging an attachment member includes positioning the attachment member laterally to a vertebral body.
3. The method for anterior fixation of the spine of claim 1, further comprising the step of positioning the elongated member posteriorly to the attachment member.
4. The method for anterior fixation of the spine of claim 1, further comprising the steps of:
 - implanting bone screws into one or more vertebrae intermediate the cephalad and caudal disc spaces; and
 - attaching the bone screws to the elongated member.
5. The method for anterior fixation of the spine of claim 1, further comprising the step of implanting a fusion device into the other of the cephalad and caudal disc spaces.
6. The method for anterior fixation of the spine of claim 1, wherein the fusion device is hollow and is filled with bone growth material prior to one step of implanting the fusion device.

7. The method for anterior fixation of the spine of claim 1, further comprising the steps of:
 - contouring the elongated member to conform to a normal sagittal plane curvature of the segments of the spine to be instrumented;
 - attaching the elongated member to the attachment members with the contour of the elongated member lying in a frontal plane; and
 - with the elongated member attached to each of the attachment members and before the step of fixing the elongated member, rotating the elongated member such that the contour of the elongated member lies in the sagittal plane.
8. A system for anterior fixation of the spine comprising:
 - an elongated member configured to extend along a portion of the length of the spine, said member having a first end adjacent a cephalad vertebra and a second end adjacent a caudal vertebra;
 - a cylindrical implant sized to be disposed in the intradiscal space adjacent at least one of said cephalad and caudal vertebrae, said cylindrical implant defining an interior chamber for retaining bone growth material and one or more apertures communicating with said interior chamber, said implant having a rear surface accessible from outside said intradiscal space when said cylindrical implant is disposed therein, said implant further having a longitudinal axis extending away from said rear surface;
 - an attachment member connected to said rear surface of said cylindrical implant, said attachment member having a head portion for attachment to said elongated member adjacent the at least one vertebra; and
 - a connection member rigidly attaching said attachment member to said elongated member at a location offset from said longitudinal axis of said cylindrical implant.
9. The system for anterior fixation of claim 8, wherein said cylindrical implant defines a threaded opening in said rear surface; and
 - said attachment member includes a threaded stem for engagement to said cylindrical implant at said threaded opening.
10. The system for anterior fixation of claim 8, wherein said head portion and said connection member have mutually interdigitating splines to permit rigid attachment of said cylindrical implant to said elongated member at variable angles.
11. The system for anterior fixation of claim 8, further comprising a number of bone screws engaged in the vertebral body of corresponding vertebrae, each of said number of bone screws having a head portion for receiving a connection member to rigidly attach the bone screw to said elongated member.

* * * * *