



US006241770B1

(12) **United States Patent**
Michelson

(10) **Patent No.:** **US 6,241,770 B1**

(45) **Date of Patent:** **Jun. 5, 2001**

(54) **INTERBODY SPINAL FUSION IMPLANT HAVING AN ANATOMICALLY CONFORMED TRAILING END**

(76) Inventor: **Gary K. Michelson**, 438 Sherman Canal, Venice, CA (US)

(*) Notice: Subject to any disclaimer, the term of this patent is extended or adjusted under 35 U.S.C. 154(b) by 0 days.

(21) Appl. No.: **09/263,266**

(22) Filed: **Mar. 5, 1999**

(51) **Int. Cl.**⁷ **A61F 2/44**

(52) **U.S. Cl.** **623/17.11**

(58) **Field of Search** 623/17

(56) **References Cited**

U.S. PATENT DOCUMENTS

- Re. 31,865 4/1985 Roux .
- D. 245,259 8/1977 Shen .
- D. 397,439 8/1998 Koros et al. .

(List continued on next page.)

FOREIGN PATENT DOCUMENTS

- 35 05 567 6/1986 (DE) .
- 0077159 4/1983 (EP) .
- 0 179 695 4/1986 (EP) .
- 0260044A1 3/1988 (EP) .
- 0307241A2 3/1989 (EP) .
- 0577179A1 1/1994 (EP) .
- 0599419A2 6/1994 (EP) .
- 0 627 204 12/1994 (EP) .
- 0 637 440 10/1997 (EP) .
- 283078 5/1985 (ES) .
- 2 703 580 10/1994 (FR) .
- 57-29348 2/1982 (JP) .
- 61-122859 6/1986 (JP) .
- 62-155846 7/1987 (JP) .
- WO9214423 9/1992 (WO) .
- 93/01771 2/1993 (WO) .
- WO9508964 4/1995 (WO) .
- WO9622747 8/1996 (WO) .

OTHER PUBLICATIONS

Muschler, et al.; The Biology of Spinal Fusion; Spinal Fusion Science and Technique, Cotler and Cotler, pp. 9-13.
Zindrick, et al.; Lumbar Spine Fusion: Different Types and Indications; The Lumbar Spine, vol. 1, Second Edition, pp. 588-593 (1996).

Crock, H.V.; Practice of Spinal Surgery; Springer-Verlag/Wien, New York (1983), pp. 75-85.

DeBowes, R.M., et al.; Study of Bovine . . . Steel Baskets; Transactions of the 29th Annual Meeting; Orthopaedic Research Society, vol. 8, p. 407, Mar. 8-10 (1983).

Otero-Vich, Jose M.; Anterior Cervical Interbody Fusion with Threaded Cylindrical Bone; J. Neurosurg 63:750-753 (Nov. 1985).

Butts, M.K., et al.; Biomechanical Analysis of a New Method for Spinal Interbody Fixation; 1987 Symposium, American Society of Mechanical Engineers, "Advances in Bioengineering", Boston, MA (Dec. 13-18, 1987), 2 pages.

Crawley et al.; A Modified Cloward's Technique for Arthrodesis of the Normal Metacarpophalangeal Joint in the Horse; Veterinary Surgery, vol. 17, No. 3, pp. 117-127 (1988).

Bagby, G.W.; Arthrodesis by the Distraction-Compression Method Using a Stainless Steel Implant; Orthopedics, vol. II, No. 6, pp. 931-934 (Jun. 1987).

Itoman, M., et al.; Banked Bone grafting for Bone Defect Repair—Clinical Evaluation of Bone Union and Graft Incorporation; J. Jpn. Orthop. Assoc. 62:461-469 (1988).

(List continued on next page.)

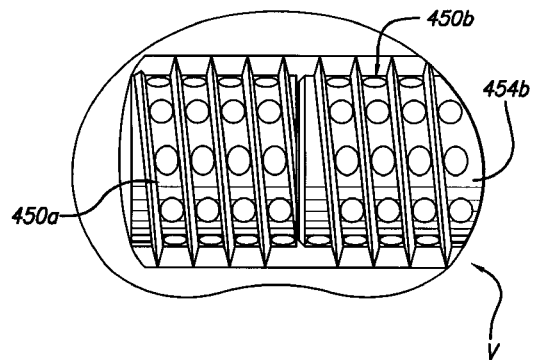
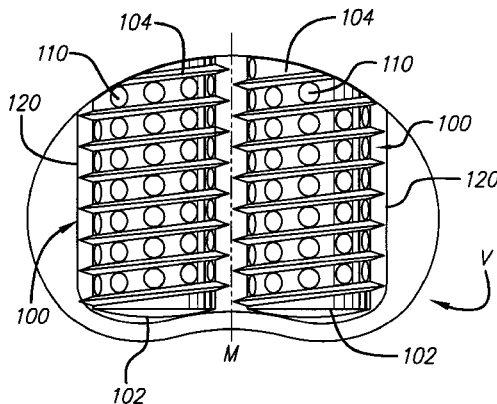
Primary Examiner—David H. Willse

(74) *Attorney, Agent, or Firm*—Martin & Ferraro, LLP

(57) **ABSTRACT**

An interbody spinal fusion implant adapted for placement at least in part across an intervertebral space formed across a disc space between two adjacent vertebral bodies and for penetrating engagement into each of those vertebral bodies, the implant having a trailing end adapted to sit upon and not protrude from the anterolateral peripheral rim of bone of the vertebral body.

104 Claims, 9 Drawing Sheets



U.S. PATENT DOCUMENTS

2,677,369	5/1954	Knowles .	5,370,697	12/1994	Baumgartner .
3,426,364	2/1969	Lumb .	5,397,364	3/1995	Kozak et al. .
3,848,601	11/1974	Ma et al. .	5,425,772	6/1995	Brantigan .
3,867,728	2/1975	Stubstad et al. .	5,443,514	8/1995	Steffee .
3,875,595	4/1975	Froning .	5,458,638	10/1995	Kuslich et al. .
3,905,047	9/1975	Long .	5,489,307	2/1996	Kuslich et al. .
4,070,514	1/1978	Eatherly .	5,489,308	2/1996	Kuslich et al. .
4,309,777	1/1982	Patil .	5,571,109	11/1996	Bertagnoli .
4,349,921	9/1982	Kuntz .	5,609,636	3/1997	Kohrs et al. .
4,501,269	2/1985	Bagby .	5,645,598	7/1997	Brosnahan, III .
4,599,086	7/1986	Doty .	5,658,337	8/1997	Kohrs et al. .
4,636,217	1/1987	Ogilvie et al. .	5,669,909	9/1997	Zdeblick et al. .
4,714,469	12/1987	Kenna .	5,683,463	11/1997	Godefroy et al. .
4,743,256	5/1988	Brantigan .	5,766,252	6/1998	Henry et al. .
4,759,766	7/1988	Buettner-Janzen et al. .	5,782,919	7/1998	Zdeblick et al. .
4,759,769	7/1988	Hedman et al. .	5,800,547	9/1998	Schäfer et al. .
4,820,305	4/1989	Harms et al. .	5,800,550	9/1998	Sertich .
4,834,757	5/1989	Brantigan .	5,814,084	9/1998	Grivas et al. .
4,863,476	9/1989	Shepperd .	5,861,041	* 1/1999	Teinboon 623/17
4,863,477	9/1989	Monson .	6,033,438	* 3/2000	Bianchi et al. 623/17.16
4,877,020	10/1989	Vich .			
4,878,915	11/1989	Brantigan .			
4,904,261	2/1990	Dove et al. .			
4,911,718	3/1990	Lee et al. .			
4,936,848	6/1990	Bagby .			
4,955,908	9/1990	Frey et al. .			
4,961,740	10/1990	Ray et al. .			
5,015,247	5/1991	Michelson .			
5,015,255	5/1991	Kuslich .			
5,026,373	6/1991	Ray et al. .			
5,055,104	10/1991	Ray .			
5,059,193	10/1991	Kuslich .			
5,062,845	11/1991	Kuslich et al. .			
5,071,437	12/1991	Steffee .			
5,122,130	6/1992	Keller .			
5,123,926	6/1992	Pisharodi .			
5,171,278	12/1992	Pisharodi .			
5,192,327	3/1993	Brantigan .			
5,246,458	9/1993	Graham .			
5,258,031	11/1993	Salib et al. .			
5,306,309	4/1994	Wagner et al. .			

OTHER PUBLICATIONS

Schmitz et al.; Performance of Alloplastic Materials and Design of an Artificial Disc; the Artificial Disc, Brock, Mayer, Weigel; pp. 23-34 (1991).

Fusion of the Lumbar Spine; Anterior Monosegmental Fusion L5-S1, Atlas of Spinal Operations, Thieme, pp. 270-274 (1993).

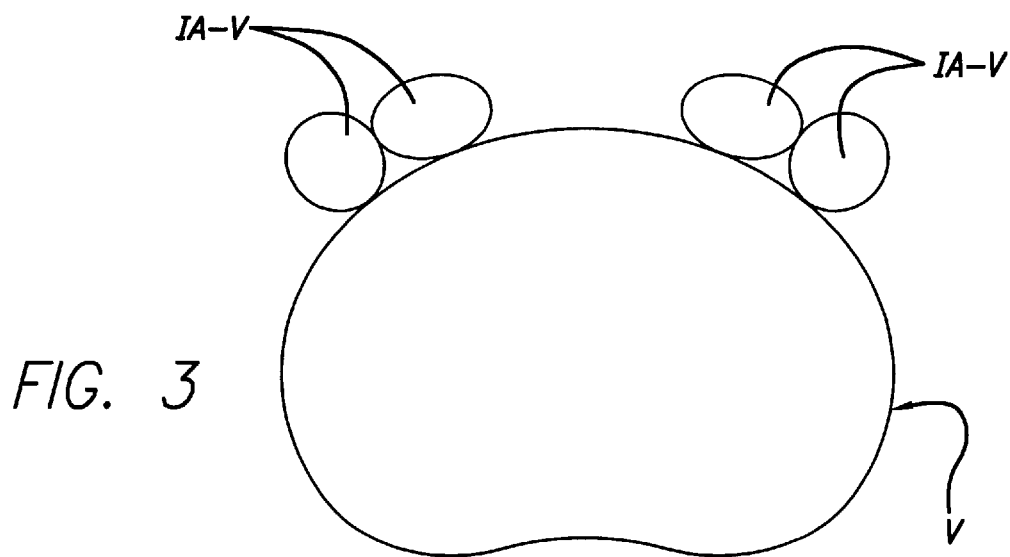
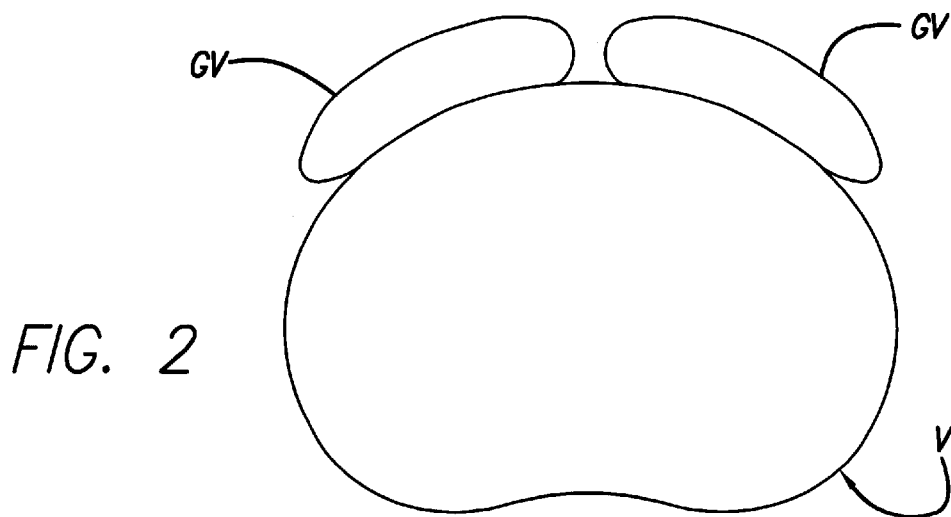
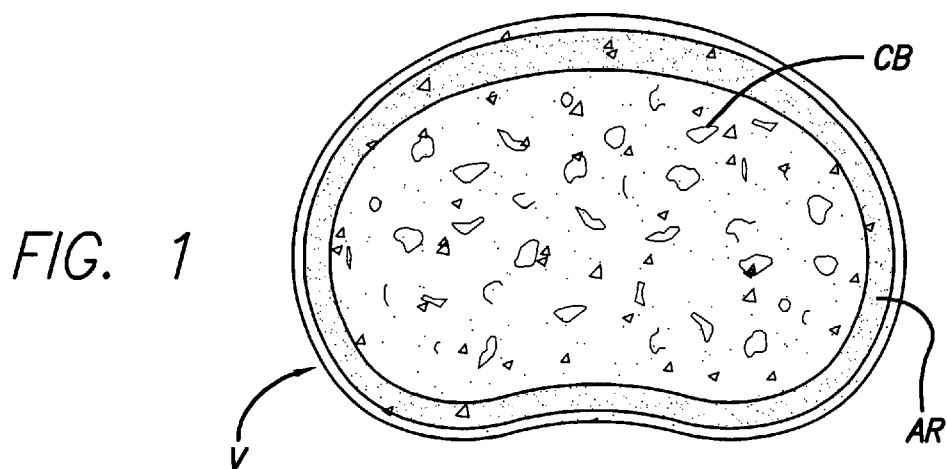
Lumbar Spine Surgery, Techniques & Complications; History of Lumbar Spine Surgery (1994) pp. 11-15; 27; 30; 35-45; 265-268.

European Opposition Document, Nov. 27, 1995—Opposing EP Patent No. 425 542 B1 to Karlin Technology, Inc.

Glazer, P.A., et al.; Biomechanical Analysis of Multilevel Fixation Methods in the Lumbar Spine; Spine, vol. 22, No. 2, pp. 171-182 (1997).

Ray, C.D.; Spinal Interbody Fusions: A Review, Featuring New Generation Techniques; Neurosurgery Quarterly, 7(2):135-156 (1997).

* cited by examiner



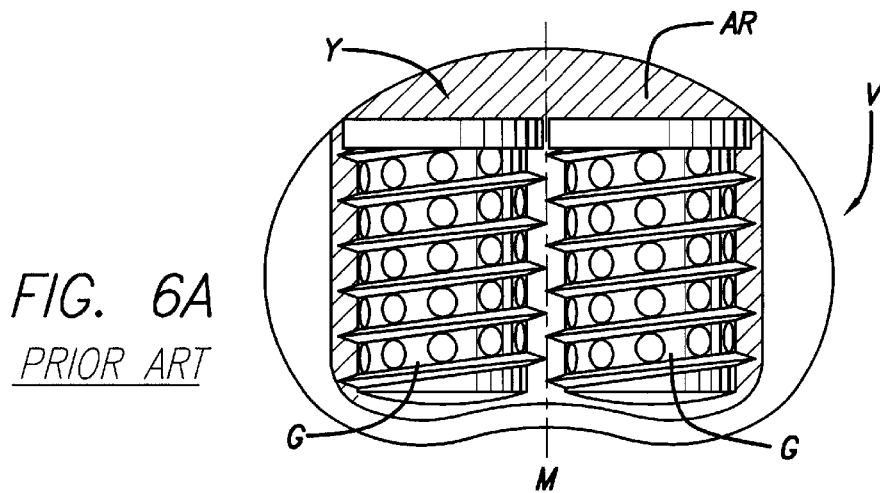
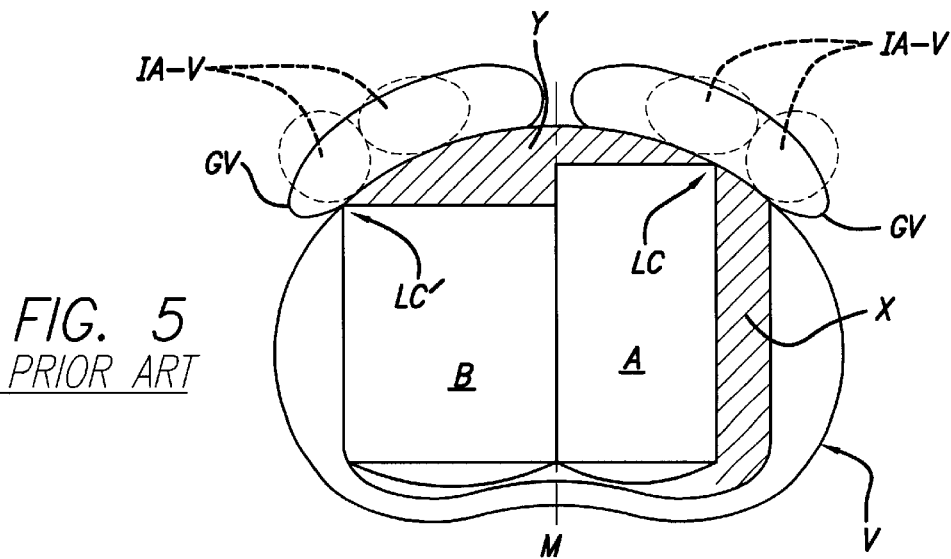
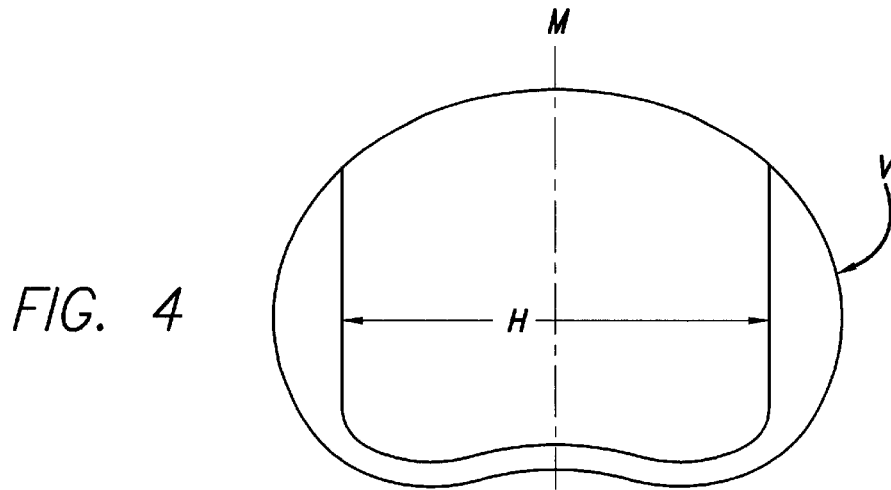


FIG. 6B

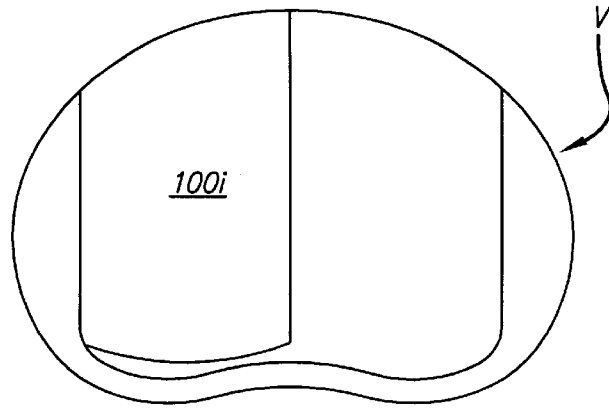


FIG. 6C

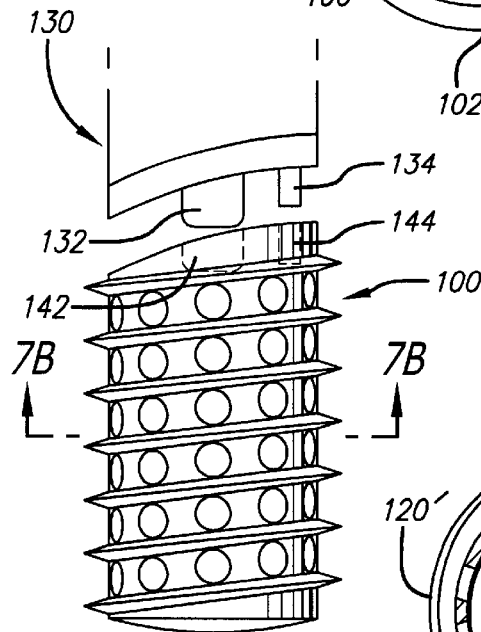
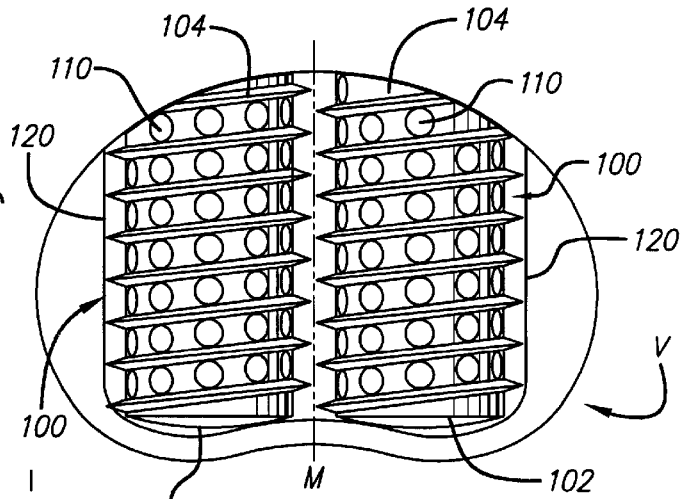


FIG. 7A

FIG. 7B

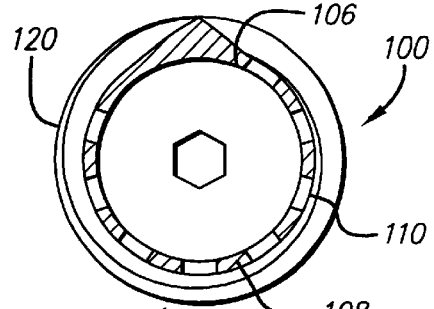


FIG. 7C

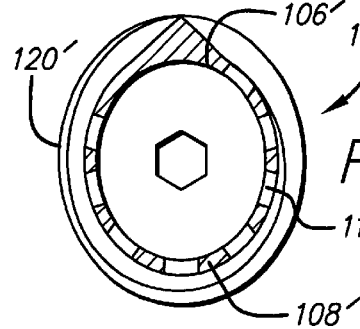


FIG. 8

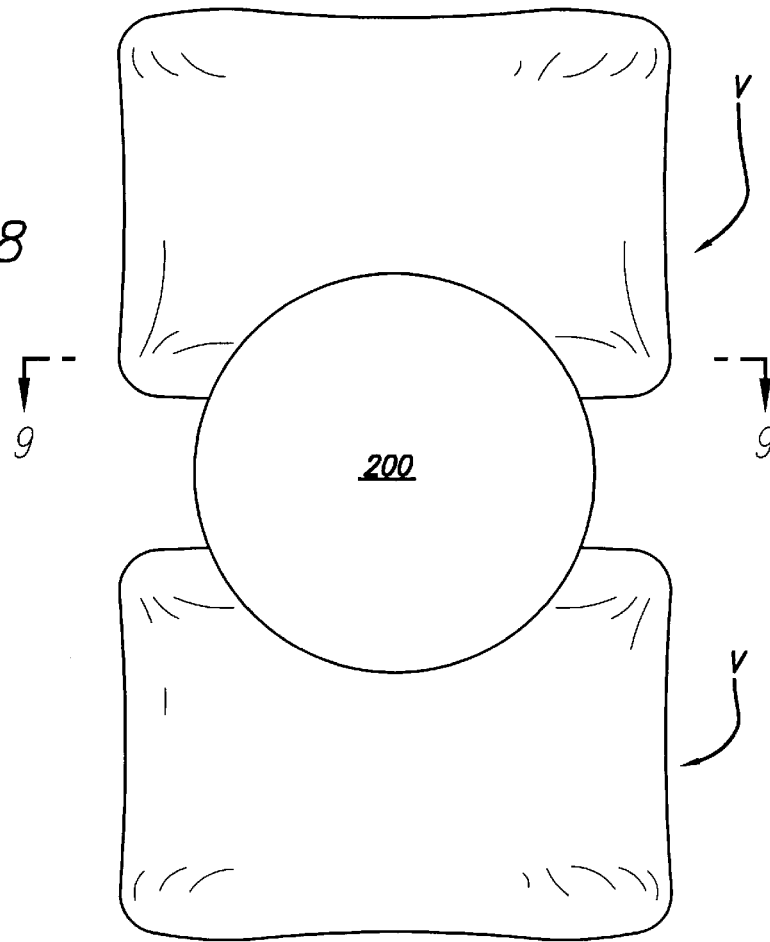


FIG. 9

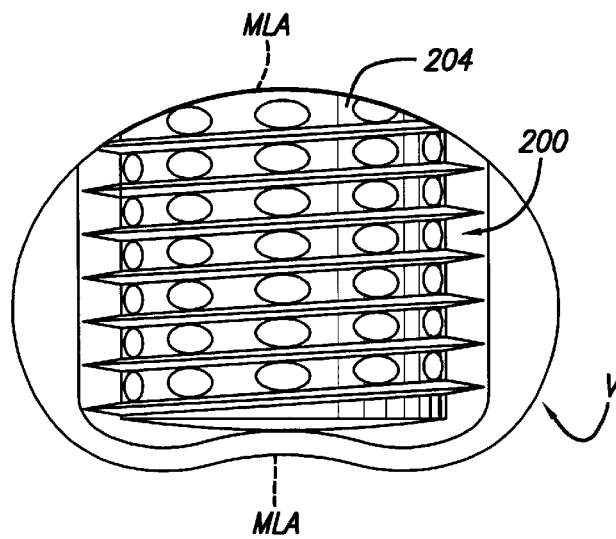


FIG. 10

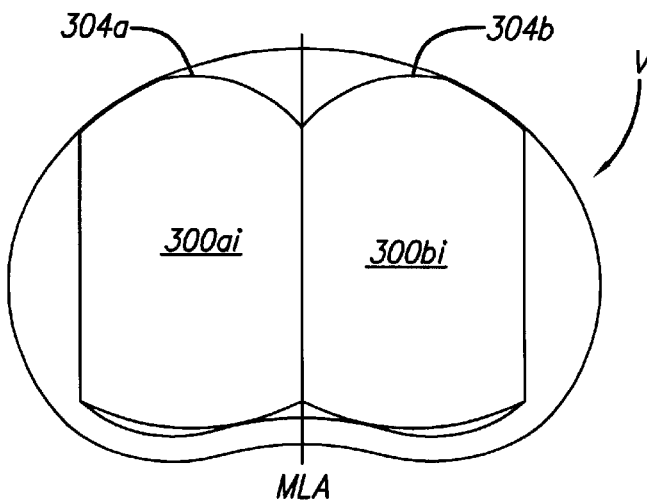


FIG. 11
PRIOR ART

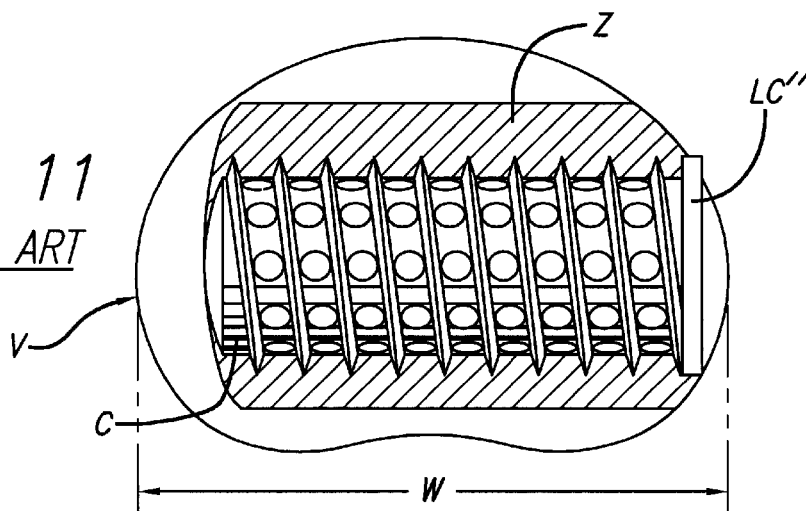


FIG. 12A

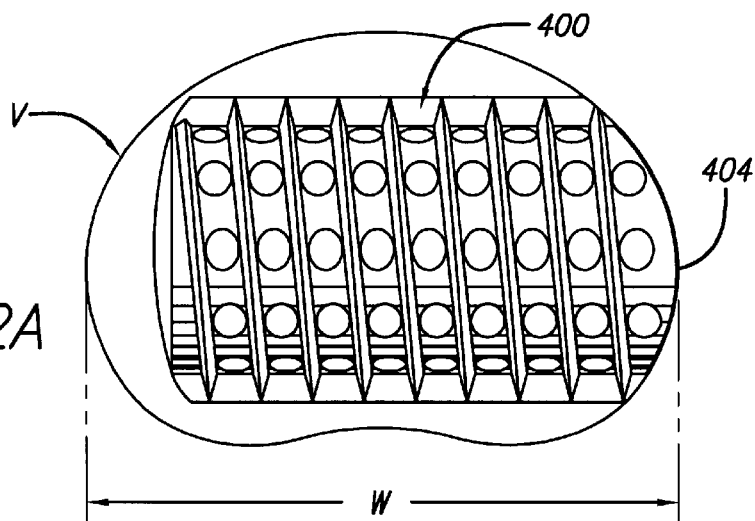


FIG. 12B

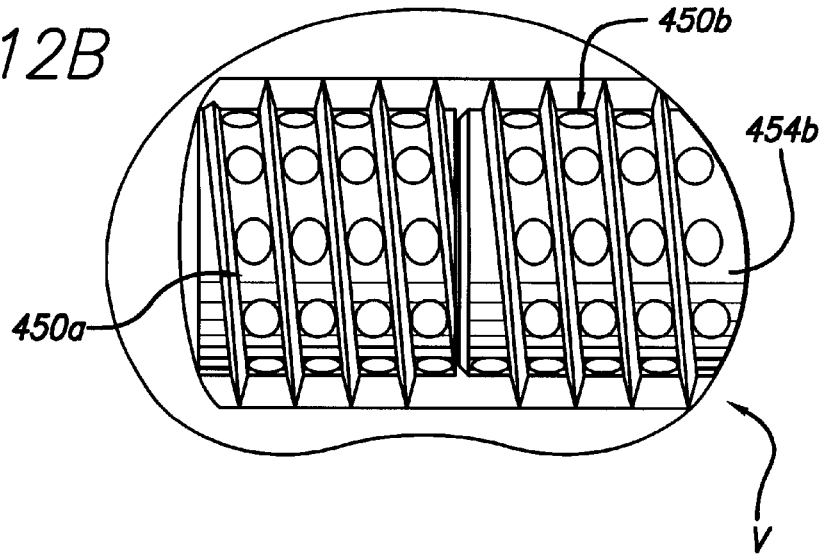


FIG. 12C

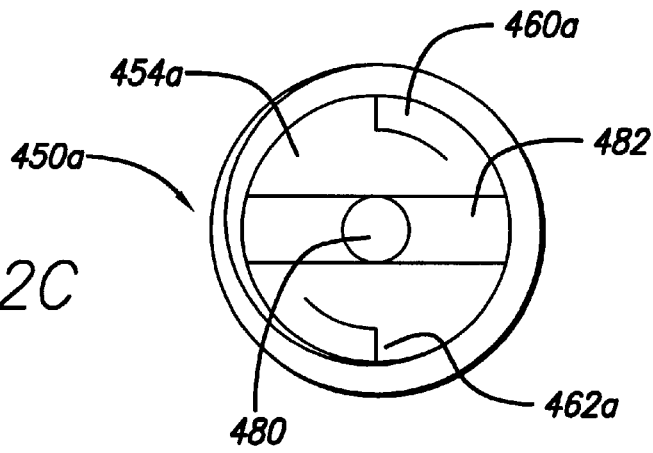
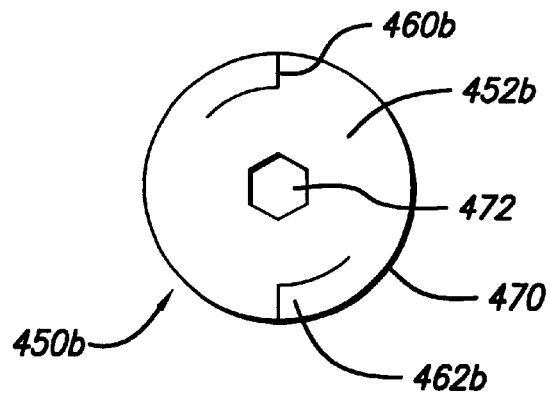


FIG. 12D



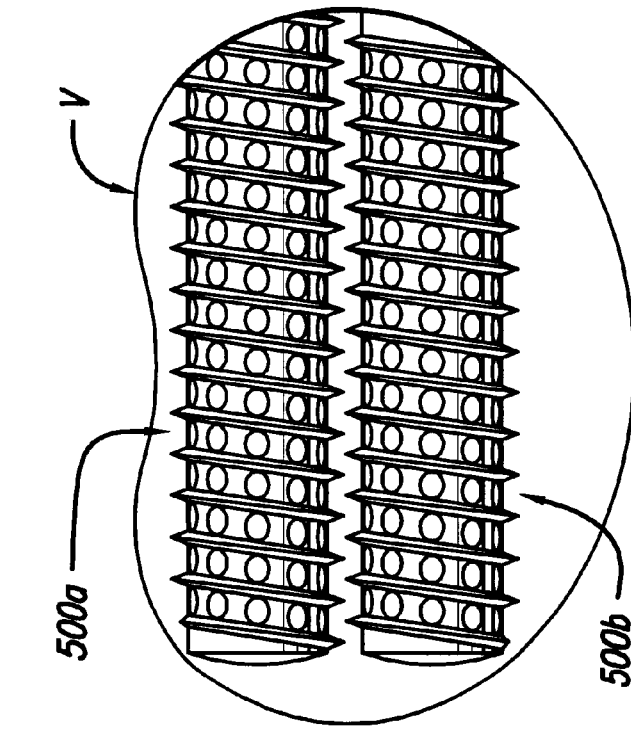


FIG. 13A

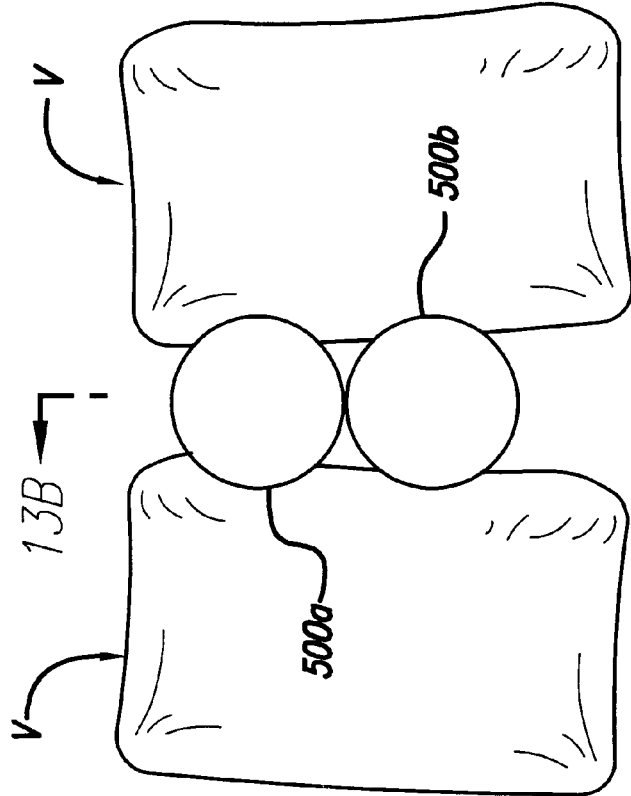


FIG. 13B

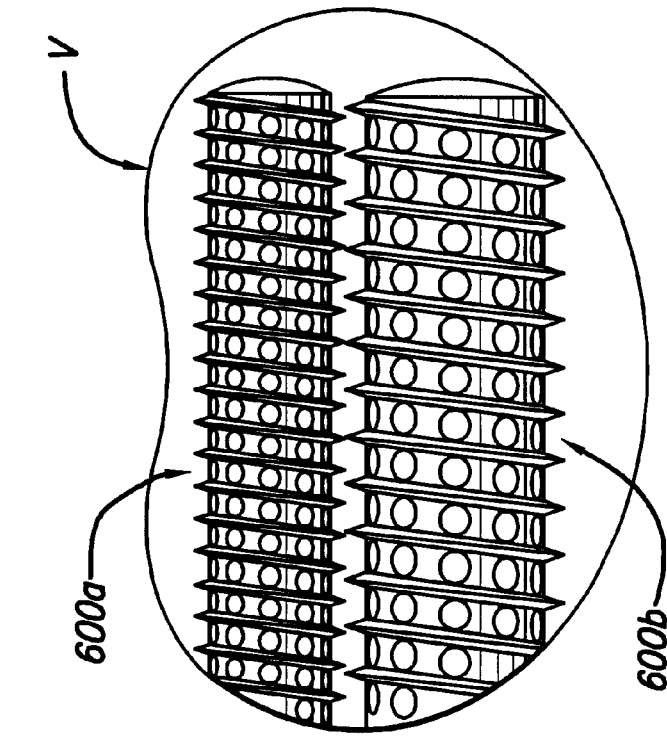


FIG. 14B

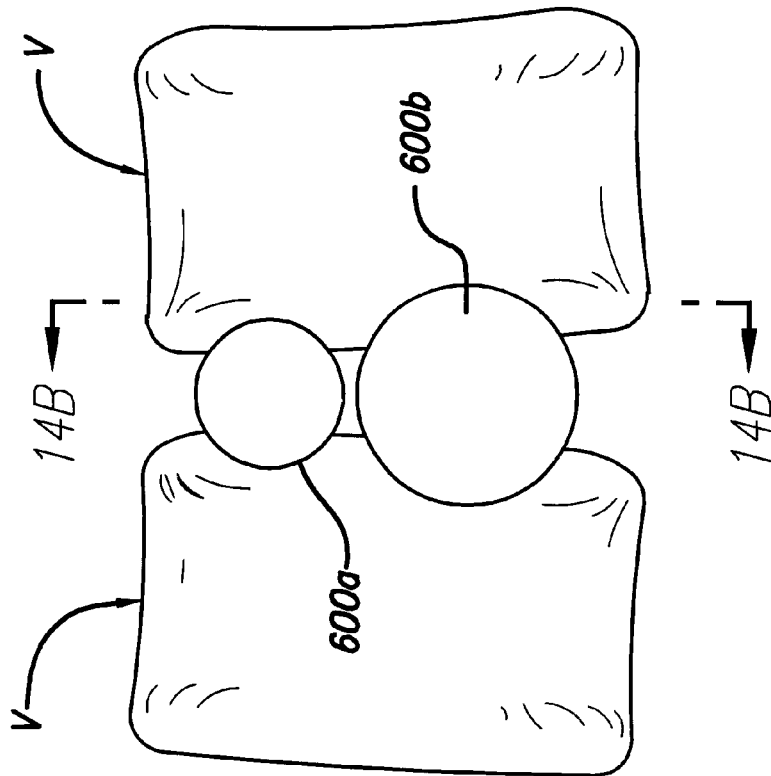


FIG. 14A

FIG. 15A

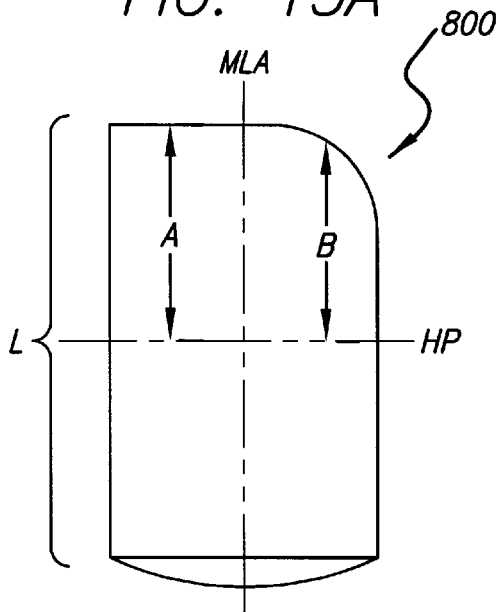
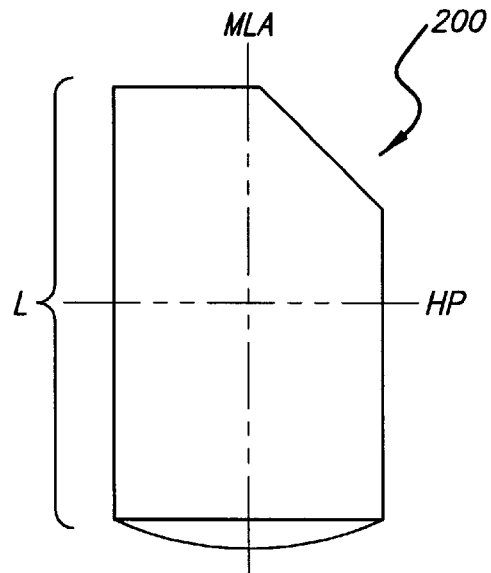


FIG. 15B



900

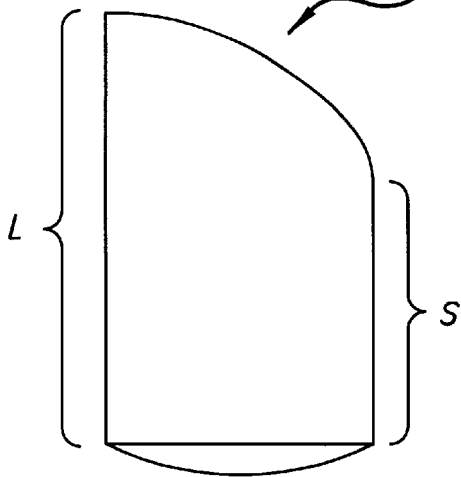


FIG. 16A

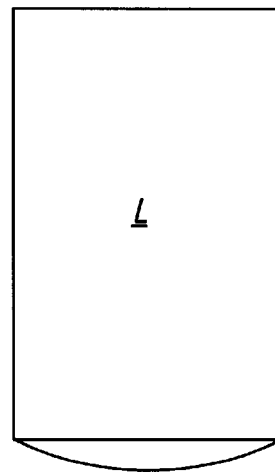


FIG. 16B

**INTERBODY SPINAL FUSION IMPLANT
HAVING AN ANATOMICALLY CONFORMED
TRAILING END**

BACKGROUND OF THE INVENTION

1. Field of the Invention

The present invention relates generally to interbody spinal fusion implants that are securely placed into the intervertebral space created across the spinal disc between two adjacent vertebral bodies after the removal of damaged spinal disc material and preferably at least some vertebral bone from each of the adjacent vertebral bodies for the purpose of achieving interbody spinal fusion, which fusion occurs preferably at least in part through the spinal fusion implant itself. In particular, the present invention is directed to an improved, interbody spinal fusion implant having opposed arcuate surfaces for penetrably engaging each of the vertebral bodies adjacent a disc space in the human spine and having a trailing end configured to conform to the anatomic contour of the anterior and/or lateral aspects of the vertebral bodies, so as to not protrude beyond the curved contours thereof, and in one preferred embodiment of the present invention the above described implants are structurally adapted to be rotated for proper insertion.

2. Description of the Related Art

Surgical interbody spinal fusion generally refers to the methods for achieving a bridge of bone tissue in continuity between adjacent vertebral bodies and across the disc space to thereby substantially eliminate relative motion between the adjacent vertebral bodies. The term "disc space" refers to the space between adjacent vertebrae normally occupied by a spinal disc.

Human vertebral bodies have a hard outer shell of compact bone (sometimes referred to as the cortex) and a relatively softer, inner mass of cancellous bone. Just below the cortex adjacent the disc is a region of bone referred to herein as the "subchondral zone". The outer shell of compact bone (the boney endplate) adjacent to the spinal disc and the underlying subchondral zone are together herein referred to as the boney "end plate region" and, for the purposes of this application, is hereby so defined to avoid ambiguity. A circumferential ring of dense bone extends around the perimeter of the endplate region and is the mature boney successor of the "apophyseal growth ring". This circumferential ring comprises of very dense bone and for the purposes of this application will be referred to as the "apophyseal rim". The spinal disc that normally resides between the adjacent vertebral bodies maintains the spacing between those vertebral bodies and, in a healthy spine, allows for the normal relative motion between the vertebral bodies.

Reference is made throughout this Background section to the attached drawings in order to facilitate an understanding of the related art and problems associated therewith. In FIG. 1, a cross-sectional top plan view of a vertebral body V in the lumbar spine is shown to illustrate the dense bone of the apophyseal rim AR present at the perimeter of the vertebral body V about the endplate region and an inner mass of cancellous bone CB. The structure of the vertebral body has been compared to a core of wet balsa wood encased in a laminate of white oak. From the top plan view in FIG. 1, it can be seen that the best structural bone is peripherally disposed.

FIG. 2 is a top plan view of a fourth level lumbar vertebral body V shown in relationship anteriorly with the aorta and vena cava (collectively referred to as the "great vessels" GV).

FIG. 3 is a top plan view of a fifth lumbar level vertebral body V shown in relationship anteriorly with the iliac arteries and veins referred to by the designation "IA-V". The location of these fragile blood vessels along the anterior aspects of the lumbar vertebrae makes it imperative that no hardware protrude dangerously therefrom where the vessels could be endangered.

Implants for use in human spinal surgery can be made of a variety of materials such as surgical quality metals, ceramics, plastics and plastic composites, cortical bone and other materials suitable for the intended purpose, and further may be absorbable and or bioactive as in being osteogenic. Fusion implants preferably have a structure designed to promote fusion of the adjacent vertebrae by allowing bone to grow through the implant from vertebral body to adjacent vertebral body to thereby fuse the adjacent vertebrae. This type of implant is intended to remain indefinitely within the patient's spine or if made of bone or other resorbable material to eventually be replaced with the patient's bone.

Michelson, Ray, Bagby, Kuslich, and others have taught the use of hollow, threaded perforated cylinders to be placed across a disc space between two adjacent vertebrae in the human spine to encourage interbody spinal fusion by the growth of bone from one vertebra adjacent a disc to the other vertebra adjacent that disc through such implants. Michelson, Zdeblick and others have also taught the use of similar devices that either have truncations of their sides such that they are not complete cylinders, and/or are tapered along their longitudinal axis much like a cylinder which has been split longitudinally and then wedged apart. All of these implants have in common opposed arcuate surfaces for penetrably engaging into each of the vertebral bodies adjacent a disc space to be fused. Such implants now in common use throughout the spine, may be used individually or inserted across the disc space in side-by-side pairs, and may be insertable from a variety of directions.

It is commonly held by surgeons skilled in the art of spinal fusion that the ability to achieve spinal fusion is inter alia directly related to the vascular surface area of contact over which the fusion can occur, the quality and the quantity of the fusion mass (e.g. bone graft), and the stability of the construct. However, the overall size of interbody spinal fusion implants is limited by the shape of the implants relative to the natural anatomy of the human spine. For example, such implants cannot dangerously protrude from the spine where they might cause injury to one or more of the proximate vital structures including the large blood vessels.

With reference to FIG. 4, a top plan view of the endplate region of a vertebral body V is shown to illustrate the area H available to safely receive an implant(s) inserted from the anterior aspect (front) of the spine, with the blood vessels retracted.

As can be seen in FIG. 5, a top plan view of the endplate region of a vertebral body V with the outlines of two differentially sized prior art implants A and B installed, one on each side of the midline of the vertebral body V, are shown. The implantation of such prior art implants A and B is limited by their configuration and the vascular structures present adjacent anteriorly to the implantation space. For example, the great vessels GV present at the L₄ level and above are shown in solid line in FIG. 5, and for the L₅ and S₁ levels, the iliac artery and vein IA-V are shown in dotted line. As shown in FIG. 5, prior art implant A represents an attempt by the surgeon to optimize the length of the implant which is inhibited by a limiting corner LC. Implant A, the

longest prior art implant that can be inserted without interfering with the great vessels GV adjacent the vertebral body V, leaves cross-hatched area X of a cross section of the vertebral body at the endplate region wasted which would be a very useful surface for contact for fusion and for support of the implant by the vertebral body. Similarly, implant B is an attempt by the surgeon to optimize the width of an implant which is also inhibited by a limiting corner LC'. Implant B, the widest prior art implant that can be inserted without interfering with the great vessels GV adjacent the vertebral body V, leaves cross-hatched area Y of the cross section of the vertebral body adjacent the endplate region wasted which could otherwise be a very useful surface area for contact for fusion and for support of the implant by the vertebral body. The presence of limiting corners LC and LC' on any such implants precludes the surgeon from safely utilizing an implant having both the optimal width and length, that is the length of implant A and the width of implant B combined, as such an implant would markedly protrude from the spine and endanger the large blood vessels.

FIG. 5 illustrates the maximum dimensions for the above discussed prior art implants A and B to be safely contained within the spine so that a corner LC or LC' of the trailing end (side wall to trailing end junction) or the most rearward extension of that sidewall does not protrude outward beyond the rounded contour of the anterior (front) or the anterolateral (front to side) aspect of the vertebral bodies. Prior art implant A maximizes length, but sacrifices width and for the most part fails to sit over the best supportive bone peripherally of the apophyseal rim as previously shown in FIG. 1. Prior implant B maximizes width, but sacrifices length and again fails to sit over the best structural bone located peripherally in the apophyseal rim of the vertebral body, comprising of the cortex and dense subchondral bone. Both prior art implants A and B fail to fill the area available with a loss of both vital surface area over which fusion could occur and a loss of the area available to bear the considerable loads present across the spine.

Similarly, FIG. 6A shows the best prior art cross-sectional area fill for a pair of inserted threaded implants G as per the current prior art. Note the area Y anterior to the implants G, including the excellent structural bone of the apophyseal rim AR, is left unused, and thus implants G fail to find the best vertebral support. Since the wasted area Y anterior to the implants G is three dimensional, it also wastes a volume that optimally could be utilized to hold a greater quantity of osteogenic material. Finally, the implants of the prior art fail to achieve the optimal stability that could be obtained by utilizing the greater available surface area of contact and improved length that an implant with the maximum width and length would have, and thereby the best lever arms to resist rocking and tilting, and increased contact area to carry further surface protrusions for providing stability by engaging the vertebrae, such as with the example shown of a helical thread.

FIG. 11 shows the best fill obtained when a prior art implant C is inserted, from a lateral approach to the spine (from a position anterior to the transverse processes of the vertebrae) referred to herein as the "translateral approach" or "translaterally" across the transverse width W of vertebral body V. Some examples of implants inserted from the translateral approach are the implants disclosed in U.S. Pat. No. 5,860,973 to Michelson and preferably inserted with the method disclosed in U.S. Pat. No. 5,772,661 to Michelson. Implant C does not entirely occupy the cross-sectional area of the end plate region and leaves cross-hatched area Z of the

vertebral body V unoccupied by the implant which area would be useful for contact for fusion and for support of the implant. The configuration of the trailing corner LC" of the prior art implant C prevents implant C from being sized larger and prevents the full utilization of the surface area of contact of the vertebral body cross-sectional area resulting in a sub-optimal fill of the disc space with the implant, and little of the implant sitting on the apophyseal rim.

The configuration of prior art implants prevents the utilization of the apophyseal rim bone, located at the perimeter of the vertebral body to support the implants at their trailing ends. The utilization of this dense bone would be ideal.

Therefore, there is a need for an interbody spinal fusion implant having opposed arcuate portions for penetrably engaging adjacent vertebral bodies, including implants requiring rotation for proper insertion into an intervertebral space formed across the disc space between two adjacent vertebrae, that is capable of fitting within the external perimeter of the vertebral bodies between which the implant is to be inserted to maximize the surface area of contact of the implant and vertebral bone without the danger of interfering with the great vessels adjacent to the vertebrae into which the implant is to be implanted. There exists a further need for an implant that is adapted to utilize the dense cortical bone in the perimeter of the vertebral bodies in supporting such an implant installed in a disc space.

SUMMARY OF THE INVENTION

The present invention relates to preformed, manufactured interbody spinal fusion implants for placement between adjacent vertebral bodies of a human spine at least in part across the disc space between those adjacent vertebral bodies, without dangerously extending beyond the outer dimensions of the two adjacent vertebral bodies adjacent that disc space, to maximize the area of contact of the implant with the vertebral bone. For example, the present invention specifically excludes bone grafts harvested from a patient and shaped by a surgeon at the time of surgery such as those of cancellous or corticocancellous bone. The present invention can benefit implants requiring an element of rotation for proper insertion into the implantation space, and more generally, any and all interbody spinal fusion implants having opposed arcuate surfaces spaced apart to penetrably engage within the substance of the opposed adjacent vertebral bodies, as opposed to merely contacting those vertebral bodies at their exposed bony end plates.

In one embodiment of the present invention, an implant for insertion from the anterior approach of the spine and for achieving better filling of the anterior to posterior depth of the disc space between two adjacent vertebral bodies comprises opposed arcuate portions for penetrably engaging the bone of the adjacent vertebral bodies deep into the bony endplate, a leading end which is inserted first into the disc space, and an opposite trailing end. The trailing end of this embodiment of the implant of the present invention is generally configured to conform to the natural anatomical curvature of the perimeter of the anterior aspect of vertebral bodies, such that when the implant is fully inserted and properly seated within and across the disc space, the surface area of the vertebral bone in contact with the implant is maximized safely. Moreover, the implant of the present invention is able to seat upon the dense compacted bone in the perimeter of the vertebral bodies for supporting the load through the implant when installed in the intervertebral space.

More specifically, in the present invention, while the implant overall may be enlarged relative to the sizes possible

with prior implants, the limiting corner of the trailing end and side wall at the trailing end has been removed. It has been the need in the past to keep this limiting corner of the implant from protruding beyond the perimeter of the disc space that has prevented these same implants from being of the optimal size overall so as to maximize the area of contact and to seat upon and be supported by the peripheral rim of densely compacted bone.

As another example, for an implant to be inserted from the lateral aspect of the spine, the implant of the present invention has opposed arcuate surfaces for penetrably engaging each of the vertebral bodies adjacent the disc space to be fused, a leading end which is inserted first into the disc space, and an opposite trailing end. The trailing end is configured to conform to the curvature of the lateral aspect of the perimeter of the vertebral bodies adjacent the disc space and without dangerously extending beyond the outer dimensions of the two vertebral bodies, such that when the implant is inserted in the disc space, the surface area of the vertebral bone in contact with the implant is maximized without interfering with any of the vital structures adjacent to those vertebral bodies.

The spinal implants of the present invention may also have at least one opening allowing for communication between the opposed upper and lower vertebrae engaging surfaces to permit for bone growth in continuity through the implant from the adjacent vertebral bodies for fusion across the disc space of the adjacent vertebral bodies, and through the implant.

For any of the embodiments of the present invention described herein, the implants may include protrusions or surface roughenings for engaging the bone of the vertebral bodies adjacent to the implant. The material of the implant may be an artificial material such as titanium or one of its implant quality alloys, cobalt chrome, tantalum, or any other metal appropriate for surgical implantation and use as an interbody spinal fusion implant, or ceramic, or composite including various plastics, carbon fiber composites, and can include materials which are at least in part bioresorbable. The materials of the implant also can include transplants of cortical bone or other naturally occurring materials such as coral, and the implants may further comprise osteogenic materials such as bone morphogenetic proteins, or other chemical compounds, the purpose of which is to induce or otherwise encourage the formation of bone, or fusion, including genetic material coding for production of bone.

BRIEF DESCRIPTION OF THE DRAWINGS

FIG. 1 is a top plan view of a horizontal cross-section through a boney endplate region of a vertebral body.

FIGS. 2-3 are top plan views of the fourth and fifth level lumbar vertebral bodies in relationship to the blood vessels located anteriorly thereto.

FIG. 4 is a top plan view of an endplate region of a vertebral body illustrating the area available to safely receive an implant(s) inserted from the anterior aspect of the spine and the area of the annulus that typically remains from an implantation from an anterior approach.

FIG. 5 is a top plan view of a lumbar vertebral body depicting the safe area of insertion for variously proportioned prior art implants for placement to either side of the midline.

FIG. 6A is a top plan view of the endplate region of a vertebral body depicting the best fit for two threaded spinal implants of the prior art implanted on either side of the midline.

FIG. 6B is a top plan view of the endplate region of the vertebral body shown in FIG. 6A illustrating the optimal proportions and shape of an embodiment of an implant in accordance with the present invention.

FIG. 6C is a top plan view of the endplate region of the vertebral body shown in FIG. 6A and two threaded spinal fusion implants of the present invention depicting the optimal proportions and shape for such interbody fusion implants.

FIG. 7A is a top plan view of threaded spinal fusion implant of the present invention with a driver instrument for engaging the trailing end of the implant.

FIG. 7B is cross-sectional view along lines 7B-7B of FIG. 7A.

FIG. 7C is cross-sectional view of an alternative embodiment.

FIG. 8 is a front elevational view of two adjacent vertebral bodies with the outline of another embodiment of the implant of the present invention inserted centrally from an anterior approach to the spine.

FIG. 9 is a top plan view of the endplate region of a vertebral body and implant along line 9-9 of FIG. 8.

FIG. 10 is a top plan view of the endplate region of a vertebral body with the outlines of two implants in accordance with another embodiment of the present invention implanted to either side of the midline.

FIG. 11 is a top plan view of the endplate region of a vertebral body with a prior art implant implanted translationally across the transverse width of the vertebral body from a lateral aspect of the spine.

FIG. 12A is a top plan view of the endplate region of the vertebral body of FIG. 11 with an implant of the present invention implanted translationally across the transverse width of the vertebral body from a lateral aspect of the spine.

FIG. 12B is a top plan view of the endplate region of the vertebral body of FIG. 11 with an alternative embodiment of implants of the present invention implanted translationally across the transverse width of the vertebral body from a lateral aspect of the spine, with the gap between the implants exaggerated for visual effect.

FIG. 12C is a trailing end view of a first of the implants shown in FIG. 12B.

FIG. 12D is a leading end view of a second of the implants shown in FIG. 12B.

FIG. 13A is a side elevational view of two adjacent vertebral bodies with two implants of another embodiment of the present invention implanted translationally side-by-side across the transverse width of the vertebrae from a lateral aspect of the spine.

FIG. 13B is a top plan view of the endplate region of a vertebral body along lines 13B-13B of FIG. 13A.

FIG. 14A is a side elevational view of two adjacent vertebral bodies with two implants of another embodiment of the present invention implanted translationally across the transverse width of the vertebral body from a lateral aspect of the spine.

FIG. 14B is a top plan view of the endplate region of a vertebral body along line 14B-4B of FIG. 14A.

FIGS. 15A and 15B are top plan views of alternative embodiments of the implant of the present invention illustrated in outline form.

FIG. 16A is a top view of an alternative embodiment of the implant of the present invention illustrated in outline form.

FIG. 16B is a side elevational view of the implants of FIGS. 15A, 15B, and 16A from long side "L".

DETAILED DESCRIPTION OF THE INVENTION

FIG. 6B shows in outline form the optimal area available to be occupied by one fusion implant 100 to be inserted into the intervertebral space in side by side pairs.

With reference to FIGS. 6C, 7A, and 7B, a first embodiment of the present invention comprising an interbody spinal implant generally referred by the numeral 100, is shown inserted from the anterior aspect of a vertebral body V to each side of the midline M in the lumbar spine. In one embodiment of the present invention, implant 100 has a leading end 102 for insertion into the disc space, an opposite trailing end 104 configured to generally conform to at least a portion of the natural anatomical curvature of the anterior aspect of the vertebral bodies adjacent the disc space, and more narrowly to be foreshortened at that aspect of the implant trailing end, that would be most lateral within the disc space when implanted within the spine. Implant 100 has opposed arcuate portions 106 and 108 that are oriented toward and adapted to penetrably engage within the adjacent vertebral bodies when inserted across the intervertebral space. Opposed arcuate portions 106 and 108 have a distance therebetween defining an implant height greater than the height of the disc space at implantation. Preferably, each of the opposed arcuate portions 106 and 108 have at least one opening 110 in communication with one another to permit for the growth of bone in continuity from the adjacent vertebral bodies and through implant 100, and as herein shown implant 100 may further be hollow or at least in part hollow. Implant 100 may also include surface roughening such as thread 120 for penetrably engaging the boned of the adjacent vertebral bodies.

As a result of its configuration, when implant 100 is inserted between two adjacent vertebral bodies, implant 100 is contained within the vertebral bodies and does not dangerously protrude from the spine. Specifically, the most lateral aspect of the implanted implant at the trailing end has been relieved, foreshortened, or contoured so as to allow the remainder of the implant to be safely enlarged so as to be larger overall than the prior art implants without the trailing end lateral wall protruding from the disc space so as to endanger the adjacent blood vessels (though overall enlargement is not a requisite element of the invention).

The present invention is not limited to use in the lumbar spine and is useful throughout the spine. In regard to use in the cervical spine, by way of example, in addition to various blood vessels the esophagus and trachea would also be at risk.

Further, the present invention includes such implants having opposed arcuate surface portions as just described whether said opposed portions are generally parallel along the length of the implant or in angular relationship to each other such that the opposed arcuate surfaces are closer to each other proximate one end of the implant than at the longitudinally opposite other end, or allowing for a variable surface, or any other configuration and relationship of the opposed arcuate surfaces.

As shown in FIG. 6C, two implants 100 are implanted into the intervertebral space side-by side. The implants 100 of the present invention optimally fill the available area and optimally sit on the anterior apophyseal rim. It can be seen that in one embodiment of the implant 100 of the present invention, trailing end 104 is arcuate to be in conformation

to the peripheral profile of the anterior aspect of the vertebral bodies so as to allow the implant to have both a maximum safe width and length, and to sit on the peripheral vertebral body rim, including the anterior cortex and/or the apophyseal rim. This allows the implants of the present invention to have the maximum surface area of contact with the vertebrae, the greatest volume for holding osteogenic material, to sit upon the very good structural bone present at the periphery of the vertebral bodies, to have a greater surface over which to have bone engaging surface irregularities, and as a result of this combination to have the greatest stability of the implant itself and in turn to stabilize the vertebrae relative to each other.

As shown in FIG. 7A, trailing end 104 may be configured to complementarily engage an instrument 130 for driving implant 100 into the installation space. Instrument 130 may have a centrally disposed projection 132 and an off-center projection 134 for engaging recesses 142 and 144 of trailing end 104, respectively. Projection 132 is preferably threaded as is recess 142.

While the implants of FIGS. 6C, 7A, and 7B are shown as cylindrical, the implant of the present invention includes the novel teaching as applied to any implants having opposed, at least in part, arcuate surfaces for penetrably engaging into the vertebral bodies adjacent the disc space across which the implant is implanted for the purpose of achieving fusion. These implants may have flattened or modified sides to be less wide. Some examples of such implants are taught by Michelson in U.S. Pat. Nos. 5,593, 409 and 5,559,909, and co-pending application Ser. Nos. 08/408,908 and 08/408,928, all of which are incorporated herein by reference.

With reference to FIGS. 8 and 9, when such a teaching is applied for use with a solitary, centrally placed implant 200 to be implanted anteriorly and generally along the midline of the disc space, the trailing end 204 of implant 200 would be arcuate as shown, such that trailing end 204 is not rotationally symmetrical about the mid longitudinal axis MLA of implant 200, the trailing end 204 might, in a preferred embodiment, for such use be symmetrical left and right of the mid-longitudinal axis MLA when properly inserted alternatively, though not preferred, the implant 200 of FIG. 9 for implantation anteriorly could have a rotationally symmetrical, or even a rounded trailing end.

With reference to FIG. 10, while not achieving the maximum advantage of the present inventive teaching, implants 300a and 300b (shown in outlined form) may be used in side by side pairs, each being symmetrically arcuate left and right, but not rotationally, about the mid-longitudinal axis MLA to provide the advantage that there need not be mirror image implants or oppositely threaded (left and right) implants provided, and such implants if requiring continuing rotation for their insertion (designed to be screwed in) can be properly situated by half turns rather than full turns. That is, the correct alignment of the implant occurs every 180° of rotation.

FIG. 10 further shows the area available to safely be filled and the silhouette of a pair of implants 300a and 300b having symmetrically extended trailing ends 304a and 304b for allowing for improved filling of the disc space and having relieved trailing end to side wall junctions to avoid the implant from protruding dangerously from the disc space anterolaterally. While the fill is not quite as good as with the fully asymmetric trailing end embodiment, the implants of FIG. 10 when inserted by rotation can be positioned by

half-turn increments and the need for different left and right implants has been eliminated.

As shown in FIG. 11, the best fill relative to a vertebral body achievable by prior art implant C disposed anterolaterally across the transverse width of the vertebral body is limited by corner LC" and leaves cross-hatched area Z unoccupied by implant C.

With reference to FIG. 12A, another embodiment of the implant of the present invention referred to by the numeral 400 is shown. Implant 400 is for insertion from the anterolateral aspect of the vertebral body and FIG. 12A illustrates the greatly improved best fill made possible with implant 400. Implant 400 has a general configuration as described in U.S. Pat. No. 5,860,973 to Michelson, and has a trailing end 404 that is arcuate to generally conform to at least a portion of the natural anatomical curvature of the lateral aspect of the vertebral bodies. It is appreciated that implant 400 may include the features of implant 100 described above and trailing end 404 may be arcuate, symmetrically or asymmetrically (left and right), about the mid-longitudinal axis MLA of implant 400. In this manner, the area Z illustrated in FIG. 11 is occupied and utilized by implant 400 which can actually be not only longer overall, but also wider, or of a larger diameter, as the limiting corner LC" of the prior art implant and FIG. 11 has been removed. As evident from the drawings, the present invention moves the limiting corner LC formed by the junction of the side wall to the trailing wall or the most rearwardly protruding aspect of the laterally placed sidewall inward away from escaping the disc space.

FIG. 12B is a top plan view of the endplate region of the vertebral body of FIG. 11 with an alternative embodiment of first and second implants 450a and 450b of the present invention implanted translaterally across the transverse width of the vertebral body from a lateral aspect of the spine. Implants 450a and 450b are configured such that when they are installed, they have a general configuration similar to a single implant 400 described above. Typically, implant 450a is inserted into the implantation space first, and then implant 450b is inserted into the same implantation space behind, and preferably coaxial to, implant 450a in a "box car" arrangement.

As shown in FIGS. 12C and 12D, trailing end 454a of implant 450a is configured to be placed in contact with leading end 452b of implant 450b, and preferably complementary engage leading end 452b. For example, trailing end 454a may include raised portions 460a and 462a that cooperatively engage raised portions 460b and 462b of leading end 452b of implant 450b. When implants 450a and 450b are in contact, it is possible to impart movement of implant 450a within the implantation space by movement of implant 450b. In this manner, it is possible to fine tune the depth of insertion of implant 450a without removing implant 450b. The ability to move implant 450a in this manner also prevents stripping of implant 450b due to the failure of movement of implant 450a.

Implant 450b can have a trailing end with a conventional configuration or it can have a trailing end 454b that is arcuate to generally conform to at least a portion of the natural anatomical curvature of the lateral aspect of the vertebral bodies. It is appreciated that implant 450b may include the features of implant 100 described above and trailing end 454b may be arcuate, symmetrically or asymmetrically (left and right), about the mid-longitudinal axis MLA of implant 450b. Leading end 452b may include a removable end cap 470 with a hex drive 472.

Trailing end 454a of implant 450a is preferably flat or indented concavely, and may include a threaded opening 480

and a slot 482 for engaging insertion instrumentation for driving the implants. The leading end 452b of implant 450b may be flat, preferably with a bevel, chamfer, or radius, or convex to fit into the trailing end 454a of implant 450a. The radius of the leading flat edge of leading end 452b of implant 450b allows implant 450b to thread into an already tapped path created by the insertion of implant 450a and permits the external thread of implants 450a and 450b to functionally align easily.

FIGS. 13A and 13B demonstrate a pair of implants 500a and 500b of the present invention being used in a side-by-side relationship inserted generally laterally or anterolaterally into the spine. As shown in FIGS. 14A and 14B, two implants 600a and 600b, one anterior, one posterior, the anterior one may be of a larger diameter than the posterior one. The posterior one may be longer than the anterior one. Each may have a trailing end that is curved from side to side symmetrically or asymmetrically.

The prior art threaded implants, be they for rotation for screwing them in or for less than a full turn rotation for locking them in after they have already been linearly advanced into the spine, have all had generally straight trailing ends or trailing ends that have been rotationally symmetrical in regard to length. In contradistinction, the implants of the present invention in the preferred embodiment have trailing ends that are either arcuate or truncated to generally conform to the anterior and/or lateral (anterolateral) peripheral contours of the vertebral bodies to be fused at their trailing ends and are specifically for insertion from the anterior and anterolateral aspects of the spine and from a position anterior to the transverse processes of the vertebrae to be fused, and preferably are not rotationally symmetrical about their longitudinal axis.

While the exact curvature of a particular vertebral body may not be known, the teaching of having the implant trailing end be arcuate or truncated along one side or from side to side so as to eliminate the size limiting corner or the side wall or lateral aspect junction to the implant trailing end is of such benefit that minor differences do not detract from its benefit. Further, the range of describable curvatures may be varied proportionately with the size of the implants as well as their intended location within the spine and direction of insertion to be most appropriate and easily determinable by those of ordinary skill in the art.

Generally in the lumbar spine, the arc of radius of the curvature should be from 15 to 30 millimeters to be of greatest benefit, though it could be greater or less, and still be beneficial. The same is true for the cervical spine where the arc of radius is 10-30 mm, with 15-20 mm being preferred. Similarly, the trailing end could be curved at least in part, but not be an arc of a circle and still practice the present invention.

With reference to FIGS. 15A and 15B, as a substitute for contouring the entire trailing end, the trailing end may have a configuration that may be straight across and then chamfered as illustrated by implant 200 or radiused to one side only as illustrated by implant 800, sufficient to eliminate what would otherwise be a protruding corner when said implant would be properly inserted and as previously described both lateral wall rear end junctions could be chamfered or radiused.

The implants of the present invention can be configured to have a maximum distance from a horizontal plane HP perpendicular to and bisecting a length along the mid-longitudinal axis MLA of the implant and the trailing end of the implant that is greater than the distance from the hori-

zontal perpendicular plane HP to the trailing end of at least one of the opposite side walls of the implant. This maximum distance may be greater than the distance from the perpendicular plane HP to the trailing end of both of the side walls, or the distance from the perpendicular plane HP to the trailing end of the second side wall can be greater than the distance from the perpendicular plane HP to the trailing end of the first side wall. Alternatively, the distance from the perpendicular plane to the trailing end of the second side wall can be greater than the distance along the mid-longitudinal axis from the perpendicular plane HP to the trailing end and greater than the distance from the perpendicular plane HP to the trailing end of the first side wall. The implants of the present invention may also have a maximum first length L measured along a first implant side wall that is longer than a second maximum length S measured along a second implant side wall.

As should be evident from the above discussion, all of these embodiments allow for an interbody spinal fusion implant utilizing an element of rotation for the proper insertion of the implants having at least one relieved or foreshortened aspect of at least one sidewall to end junction for placement laterally so as to not protrude unsafely from the disc space.

As per FIGS. 16A and 16B, it should be appreciated then that a top view of the trailing end must have a convex type profile as illustrated by implant 900 while the side view will not or to a much lesser extent. That is, the trailing end of the present invention implants are rotationally asymmetrical about the mid-longitudinal axis MLA even when symmetrical from side to side, which side to side symmetrically is not a requirement of the broad inventive concept of the present invention. To have the opposed vertebrae engaging surfaces protrude dangerously beyond the perimeter of the disc space so as to impinge on the blood vessels or other vital structures proximate the spine is absolutely contrary to the teachings of the present invention which teaches a safe means for allowing the optimal sizing of the implant(s). As shown in FIG. 16B, the long sides "L" of implants 700-900 are generally the same.

While the present invention has been taught using implants requiring rotation for their insertion, this has been done to highlight that the present invention is counterintuitive and non-obvious. The additional implant length made possible by the present inventive teaching actually provides for an implant that would seem to in all but the final selected position protrude dangerously from the spine. And indeed it would except that all implants require at a minimum a clear path for their insertion. Thus, while the extended trailing portion does extend from the spine until its final rotation into correct alignment it does so when the vital structures, organs, vessels, etc., are retracted and protected and ceases to do so thereafter when those structures are released back to their normal positions in relationship to the spine.

Thus, while the present invention has been explained in regard to such implants requiring rotation for their insertion, the present invention is not so limited and is useful for all interbody spinal fusion implants having opposed arcuate upper and lower surfaces or surface portions for penetrable engagement into the bodies of vertebrae adjacent a disc space to be implanted. Moreover, such implants may include at least one opening therethrough to allow for the growth of bone from vertebral body to vertebral body and through the implant.

While particular embodiments of the present invention have been shown and described, it will be obvious to those

skilled in the art that changes and modifications may be made without departing from this invention in its broader aspects and, therefore, the aim in the appended claims is to cover all such changes and modifications as fall within the true spirit and scope of this invention.

While specific innovative features may have been presented in reference to specific examples, they are just examples, and it should be understood that various combinations of these innovative features beyond those specifically shown are taught such that they may now be easily alternatively combined and are hereby anticipated and claimed.

What is claimed is:

1. A manufactured preformed interbody spinal fusion implant for insertion at least in part across a disc space between two adjacent vertebral bodies of a human spine, the vertebral bodies having an anterior aspect, a posterior aspect, and to each side a lateral aspect, said implant comprising:

a leading end for insertion into the disc space and an opposite trailing end, said trailing end being at least in part non-linear and configured to generally conform to at least a portion of the natural anatomical curvature of at least one of the anterior and lateral aspects of the vertebral bodies;

opposed arcuate convex portions adapted for placement toward and into the adjacent vertebral bodies; said implant having a height between said opposed arcuate portions defining an implant height greater than the normal height of the disc space into which said implant is to be implanted, each of said opposed arcuate convex portions having at least one opening, said openings being in communication with one another to permit for the growth of bone from adjacent vertebral body to adjacent vertebral body through said implant; and

opposed first and second side walls connecting said opposed arcuate portions, said implant having a mid-longitudinal axis and a maximum distance from a plane perpendicular to and bisecting a length along the mid-longitudinal axis of said implant to said trailing end of said implant that is greater than the distance from said perpendicular plane to said trailing end of at least one of said first and second side walls,

whereby when said implant is inserted between two adjacent vertebral bodies, said implant may be properly aligned so that the junction of at least one of said first and second side walls and said trailing end does not substantially protrude from the spine.

2. The implant of claim 1, wherein said maximum distance is greater than the distance from said perpendicular plane to said trailing end of said first and second side walls.

3. The implant of claim 1, wherein the distance from said perpendicular plane to the trailing end of said second side wall is greater than the distance from said perpendicular plane to said trailing end of said first side wall.

4. The implant of claim 1, wherein the distance from said perpendicular plane to said trailing end of said second side wall is greater than the distance along the mid-longitudinal axis from said perpendicular plane to said trailing end and greater than the distance from said perpendicular plane to said trailing end of said first side wall.

5. The implant of claim 1, wherein said implant has a maximum length less than and approximating the anterior to posterior depth of the vertebral body.

6. The implant of claim 1, wherein said implant has a maximum length greater than the anterior to posterior depth of the vertebral body and less than the transverse width of the vertebral body.

7. The implant of claim 1, wherein said implant has a maximum length and a minimum length, said minimum length being located along one of said opposed side walls.

8. The implant of claim 1, wherein said trailing end has an arcuate segment with an arc of radius greater than the longest arc of radius of said opposed arcuate portions.

9. The implant of claim 1, wherein a maximum first length measured along a first implant side wall is longer than a second maximum length measured along a second implant side wall.

10. The implant of claim 1, wherein the trailing end is adapted to conform from side to side to the peripheral contour of the vertebral bodies adjacent a disc space into which said implant is properly implanted.

11. The implant of claim 1, further comprising at least one protrusion extending from at least one of said opposed arcuate portions for engaging at least one of the adjacent vertebral bodies to maintain said implant within the disc space.

12. The implant of claim 11, wherein said protrusion comprises a thread for engaging each of the adjacent vertebrae.

13. The implant of claim 11, wherein said protrusion comprises a ridge.

14. The implant of claim 1, further comprising a plurality of surface roughenings for engaging the adjacent vertebral bodies and for maintaining said implant in place, said surface roughenings being present on at least a portion of said opposed arcuate portions.

15. The implant of claim 1, wherein each of said opposed arcuate portions comprises an interior surface, said interior surfaces being spaced apart to define a hollow interior in communication with said openings.

16. The implant of claim 1, further comprising a plurality of openings and passages for retaining fusion promoting substance.

17. The implant of claim 1, wherein said opposed arcuate portions have a porous surface.

18. The implant of claim 1, wherein said implant is formed of a material other than bone.

19. The implant of claim 1, wherein said implant is substantially cortical bone.

20. The implant of claim 18, wherein said implant material is porous.

21. The implant of claim 18, wherein said implant material is selected from the group including surgical quality titanium and its alloys, cobalt chrome alloy, tantalum, any metal or alloy suitable for the intended purpose, any ceramic material suitable for the intended purpose, any plastic or composite material suitable for the intended purpose.

22. The implant of claim 1, wherein said implant comprises a fusion promoting material other than bone.

23. The implant of claim 1, wherein said implant comprises a bone ingrowth material.

24. The implant of claim 1, wherein said implant comprises a material that intrinsically participates in the growth of bone from one of the adjacent vertebral bodies to the other of the adjacent vertebral bodies.

25. The implant of claim 1, wherein said implant is treated with a fusion promoting substance.

26. The implant of claim 1, wherein said implant material is stronger than cancellous bone.

27. The implant of claim 1, wherein said implant material is stronger than cortical bone.

28. The implant of claim 1, wherein said implant is a source of osteogenesis.

29. The implant of claim 22, wherein said fusion promoting material is bone morphogenetic protein.

30. The implant of claim 1, wherein at least a portion of said insertion end is tapered for facilitating insertion of the implant between the two adjacent vertebral bodies.

31. The implant of claim 1, wherein said opposed arcuate portions are in a diverging relationship at least in part to each other for allowing angulation of the adjacent vertebral bodies relative to each other.

32. The implant of claim 1, wherein said opposed arcuate portions are generally in a converging relationship from the trailing end to the leading end to each other for allowing angulation of the adjacent vertebral bodies relative to each other.

33. The implant of claim 1, wherein said opposed arcuate portions have a bone ingrowth surface.

34. The implant of claim 1, wherein said implant has surface protrusions configured to protrude into bone.

35. The implant of claim 1, wherein at least a portion of said implant is bioresorbable.

36. The implant of claim 1, wherein said implant is configured to require an element of rotation for proper insertion.

37. The implant of claim 1, further in combination with bone morphogenetic protein.

38. The implant of claim 1, further in combination with an osteogenic material.

39. The implant of claim 38, wherein said osteogenic material is a material other than bone.

40. The implant of claim 38, wherein said material is genetic material that codes for the production of bone.

41. The implant of claim 38, wherein said material is bone morphogenetic protein.

42. The implant of claim 1, further in combination with genetic material coding for production of bone.

43. The implant of claim 1, further in combination with bone morphogenetic protein.

44. The implant of claim 1, wherein said implant has a diameter that is greater than seven millimeters.

45. The implant of claim 11, wherein said protrusion comprises portions of a thread.

46. The implant of claim 1, further in combination with a second implant configured to be installed in front of said first spinal implant in the same installation space.

47. The combination of claim 46, wherein said first and second implants have a combined general configuration of a single implant when installed.

48. The combination of claim 46, wherein said second implant has a second trailing end configured to be placed in contact with said leading end of said first implant.

49. The combination of claim 48, wherein said second trailing end and said leading end of said first implant are configured for complementary engagement with each other.

50. The combination of claim 49, wherein at least one of said first trailing end and said second leading end is convex and at least one of said first trailing end and said second leading end is concave, wherein said first trailing end and said second trailing end cooperatively engage each other.

51. The combination of claim 46, wherein each of said first and second implants have an external thread.

52. The combination of claim 51, wherein each of said first and second implants are configured to be placed into contact with each other such that the spacing of said external thread is constant along said first and second implants when installed in the same installation space.

53. The combination of claim 51, wherein said first and second implants are configured to permit said external thread of said first implant to follow the path of said second implant when installed in the same installation space.

54. The combination of claim 51, wherein said external thread of said first and second implants have the same pitch.

55. The combination of claim 51, wherein the start of said external thread of said first implant is set back from said leading end of said first implant such that said leading end is adapted to center said implant within said installation space prior to being threaded into the installation space.

56. Manufactured preformed interbody spinal fusion implants for insertion at least in part across a disc space between two adjacent vertebral bodies of a human spine, comprising:

a first implant having a first leading end for insertion into the disc space, an opposite first trailing end, and opposed first arcuate convex portions adapted for placement toward and into the adjacent vertebral bodies, said opposed first arcuate convex portions being spaced apart such that said first implant has a height greater than the normal height of the disc space into which said first implant is to be implanted, each of said opposed first arcuate convex portions having at least one opening, said openings being in communication with one another to permit for the growth of bone from adjacent vertebral body to adjacent vertebral body through said first implant; and

a second implant configured to be installed in front of said first spinal implant in the same installation space, said second implant having a second leading end for insertion into the disc space, an opposite second trailing end, and opposed second arcuate convex portions adapted for placement toward and into the adjacent vertebral bodies, said opposed second arcuate convex portions being spaced apart such that said second implant has a height greater than the normal height of the disc space into which said second implant is to be implanted, each of said opposed second arcuate convex portions having at least one opening, said openings being in communication with one another to permit for the growth of bone from adjacent vertebral body to adjacent vertebral body through said second implant, said second trailing end of said second implant configured to be placed in adjacent contact with said first leading end of said first implant.

57. The implants of claim 56, wherein said first and second implants have a combined general configuration similar to a single implant when installed in the same installation space.

58. The implants of claim 56, wherein at least one of said first leading end and said second trailing end is convex and at least one of said first leading end and said second trailing end is concave, wherein said first leading end and said second trailing end cooperatively engage each other.

59. The implants of claim 56, wherein each of said first and second implants have an external thread.

60. The implants of claim 59, wherein each of said first and second implants are configured to be placed into contact with each other such that the spacing of said external thread is constant along said first and second implants when installed in the same installation space.

61. The implants of claim 59, wherein said second and second implants are configured to permit said external thread of said first implant to follow the path of said first implant when installed in the same installation space.

62. The implants of claim 59, wherein said external thread of said first and second implants have the same pitch.

63. The implants of claim 59, wherein the start of said external thread of said first implant is set back from said leading end of said first implant such that said leading end is adapted to center said implant within said installation space prior to being threaded into the installation space.

64. The implants of claim 56, wherein at least one of said first and second implants comprises a fusion promoting substance other than bone.

65. The implants of claim 56, wherein at least one of said first and second implants comprises substantially of cortical bone.

66. The implants of claim 56, wherein at least one of said first and second implants comprises a material stronger than bone.

67. The implant of claim 1, wherein said implant is at least in part cylindrical.

68. The implant of claim 67, further comprising an external thread and wherein said implant is adapted for insertion by rotation.

69. The implant of claim 1, wherein said implant has a cross section perpendicular to the mid-longitudinal axis and through said opposed arcuate convex portions and side walls that is generally round.

70. The implant of claim 1, wherein said implant has a cross section perpendicular to the mid-longitudinal axis and said opposed arcuate convex portions and side walls that is generally oval.

71. The implant of claim 69, further comprising an external thread and wherein said implant is adapted for insertion by rotation.

72. The implants of claim 56, wherein at least one of said first and second implants is at least in part cylindrical.

73. The implants of claim 72, wherein at least one of said first and second implants further comprises an external thread and is adapted for insertion by rotation.

74. The implants of claim 56, wherein at least one of said first and second implants has a cross section perpendicular to a mid-longitudinal axis and through said opposed arcuate convex portions and side walls that is generally round.

75. The implants of claim 56, wherein at least one of said first and second implants has a cross section perpendicular to a mid-longitudinal axis and said opposed arcuate convex portions and side walls that is generally oval.

76. The implants of claim 74, wherein at least one of said first and second implants further comprises an external thread and is adapted for insertion by rotation.

77. A manufactured preformed interbody spinal fusion implant for insertion at least in part across a disc space between two adjacent vertebral bodies of a human spine, the vertebral bodies having an anterior aspect, a posterior aspect, and to each side a lateral aspect, said implant comprising:

a leading end for insertion into the disc space and an opposite trailing end, said trailing end being at least in part non-linear and configured to generally conform to at least a portion of the natural anatomical curvature of at least one of the anterior and lateral aspects of the vertebral bodies;

opposed arcuate convex portions adapted for placement within the adjacent vertebral bodies and having a height between said opposed arcuate portions defining an implant height greater than the normal height of the disc space into which said implant is to be implanted, each of said opposed arcuate portions having at least one opening, said openings being in communication with one another to permit for the growth of bone from adjacent vertebral body to adjacent vertebral body through said implant; and

opposed first and second side walls connecting said opposed arcuate portions, said implant having a mid-longitudinal axis and a maximum distance from a plane perpendicular to and bisecting a length along the mid-longitudinal axis of said implant to said trailing end of said implant that is greater than the distance from said

perpendicular plane to said trailing end of at least one of said first and second side walls;

said implant requiring at least partial rotation of said implant about the mid-longitudinal axis for insertion across the disc space and into the adjacent vertebral bodies;

whereby when said implant is inserted between two adjacent vertebral bodies, said implant may be properly aligned so that the junction of at least one of said first and second side walls and said trailing end does not substantially protrude from the spine.

78. The implant of claim 77, wherein said maximum distance is greater than the distance from said perpendicular plane to said trailing end of said first and second side walls.

79. The implant of claim 77, wherein the distance from said perpendicular plane to the trailing end of said second side wall is greater than the distance from said perpendicular plane to said trailing end of said first side wall.

80. The implant of claim 77, wherein the distance from said perpendicular plane to said trailing end of said second side wall is greater than the distance along the mid-longitudinal axis from said perpendicular plane to said trailing end and greater than the distance from said perpendicular plane to said trailing end of said first side wall.

81. The implant of claim 77, wherein a maximum first length measured along a first implant side wall is longer than a second maximum length measured along a second implant side wall.

82. The implant of claim 77, wherein the trailing end is adapted to conform from side to side to the peripheral contour of the vertebral bodies adjacent a disc space into which said implant is properly implanted.

83. The implant of claim 77, further comprising at least one protrusion extending from at least one of said opposed arcuate portions for engaging at least one of the adjacent vertebral bodies to maintain said implant within the disc space.

84. The implant of claim 83, wherein said protrusion comprises a thread for engaging each of the adjacent vertebrae.

85. The implant of claim 77, wherein each of said opposed arcuate portions comprises an interior surface, said interior surfaces being spaced apart to define a hollow interior in communication with said openings.

86. The implant of claim 77, further comprising a plurality of openings and passages for retaining fusion promoting substance.

87. The implant of claim 77, wherein said implant is formed of a material other than bone.

88. The implant of claim 77, wherein said implant comprises a fusion promoting material other than bone.

89. The implant of claim 77, further in combination with bone morphogenetic protein.

90. The implant of claim 77, further in combination with genetic material coding for production of bone.

91. A manufactured preformed interbody spinal fusion implant for insertion at least in part across a disc space between two adjacent vertebral bodies of a human spine, the vertebral bodies having an anterior aspect, a posterior aspect, and to each side a lateral aspect, said implant comprising:

a leading end for insertion into the disc space and an opposite trailing end, said trailing end being at least in part non-linear and configured to generally conform to at least a portion of the natural anatomical curvature of at least one of the anterior and lateral aspects of the vertebral bodies;

opposed arcuate convex portions adapted for placement within the adjacent vertebral bodies and having a height

between said opposed arcuate portions defining an implant height greater than the normal height of the disc space into which said implant is to be implanted, each of said opposed arcuate portions having at least one opening, said openings being in communication with one another to permit for the growth of bone from adjacent vertebral body to adjacent vertebral body through said implant; and

opposed first and second side walls connecting said opposed arcuate portions, said implant having a mid-longitudinal axis and a maximum distance from a plane perpendicular to and bisecting a length along the mid-longitudinal axis of said implant to said trailing end of said implant that is greater than the distance from said perpendicular plane to said trailing end of at least one of said first and second side walls;

said implant having a cross section perpendicular to the mid-longitudinal axis and through said opposed arcuate convex portions and side walls that is generally round;

whereby when said implant is inserted between two adjacent vertebral bodies, said implant may be properly aligned so that the junction of at least one of said first and second side walls and said trailing end does not substantially protrude from the spine.

92. The implant of claim 91, wherein said maximum distance is greater than the distance from said perpendicular plane to said trailing end of said first and second side walls.

93. The implant of claim 91, wherein the distance from said perpendicular plane to the trailing end of said second side wall is greater than the distance from said perpendicular plane to said trailing end of said first side wall.

94. The implant of claim 91, wherein the distance from said perpendicular plane to said trailing end of said second side wall is greater than the distance along the mid-longitudinal axis from said perpendicular plane to said trailing end and greater than the distance from said perpendicular plane to said trailing end of said first side wall.

95. The implant of claim 91, wherein a maximum first length measured along a first implant side wall is longer than a second maximum length measured along a second implant side wall.

96. The implant of claim 91, wherein the trailing end is adapted to conform from side to side to the peripheral contour of the vertebral bodies adjacent a disc space into which said implant is properly implanted.

97. The implant of claim 91, further comprising at least one protrusion extending from at least one of said opposed arcuate portions for engaging at least one of the adjacent vertebral bodies to maintain said implant within the disc space.

98. The implant of claim 97, wherein said protrusion comprises a thread for engaging each of the adjacent vertebrae.

99. The implant of claim 91, wherein each of said opposed arcuate portions comprises an interior surface, said interior surfaces being spaced apart to define a hollow interior in communication with said openings.

100. The implant of claim 91, further comprising a plurality of openings and passages for retaining fusion promoting substance.

101. The implant of claim 91, wherein said implant is formed of a material other than bone.

102. The implant of claim 91, wherein said implant comprises a fusion promoting material other than bone.

103. The implant of claim 91, further in combination with bone morphogenetic protein.

104. The implant of claim 91, further in combination with genetic material coding for production of bone.

UNITED STATES PATENT AND TRADEMARK OFFICE
CERTIFICATE OF CORRECTION

PATENT NO. : 6,241,770 B1
DATED : June 5, 2001
INVENTOR(S) : Gary Karlin Michelson

Page 1 of 1

It is certified that error appears in the above-identified patent and that said Letters Patent is hereby corrected as shown below:

Claim 50.

Line 5, change "trailing" to -- leading --.

Claim 61.

Line 1, change "second" to -- first --;

Line 3, change "first" (last occurrence) to -- second --.

Signed and Sealed this

Twentieth Day of November, 2001

Attest:

Nicholas P. Godici

Attesting Officer

NICHOLAS P. GODICI
Acting Director of the United States Patent and Trademark Office

UNITED STATES PATENT AND TRADEMARK OFFICE
CERTIFICATE OF CORRECTION

PATENT NO. : 6,241,770 B1
DATED : June 5, 2001
INVENTOR(S) : Gary Karlin Michelson

Page 1 of 1

It is certified that error appears in the above-identified patent and that said Letters Patent is hereby corrected as shown below:

Column 12,

Line 52, change "the" to -- said --;

Column 13,

Lines 8 and 9, delete "implant";

Line 11, change "the" (last occurrence) to -- said --;

Lines 60 and 62, change "1" to -- 18 --; and after "implant" (last occurrence) insert -- is made of a --;

Column 14,

Lines 47 and 49, delete "second";

Line 50, after "end" (first occurrence) insert -- of said second implant --;

Column 15,

Line 6, after "said" (first occurrence) insert -- first --.

Signed and Sealed this

Twenty-sixth Day of October, 2004

A handwritten signature in black ink that reads "Jon W. Dudas". The signature is written in a cursive style with a large, looped initial "J".

JON W. DUDAS
Director of the United States Patent and Trademark Office

UNITED STATES PATENT AND TRADEMARK OFFICE
CERTIFICATE OF CORRECTION

PATENT NO. : 6,241,770 B1
DATED : June 5, 2001
INVENTOR(S) : Gary Karlin Michelson

Page 1 of 1

It is certified that error appears in the above-identified patent and that said Letters Patent is hereby corrected as shown below:

Column 12,

Line 53, change "the" to -- said --;

Column 13,

Lines 8 and 9, delete "implant";

Line 11, change "the" (last occurrence) to -- said --;

Lines 61 and 63, change "1" to -- 18 --; and after "implant" (last occurrence) insert -- is made of a --;

Column 14,

Lines 47 and 49, delete "second";

Line 50, after "end" (first occurrence) insert -- of said second implant --;

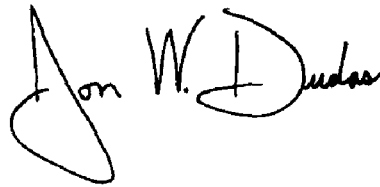
Column 15,

Line 6, after "said" (first occurrence) insert -- first --.

This certificate supersedes Certificate of Correction issued October 26, 2004.

Signed and Sealed this

Twenty-first Day of December, 2004

A handwritten signature in black ink that reads "Jon W. Dudas". The signature is written in a cursive style with a large, looped initial "J".

JON W. DUDAS
Director of the United States Patent and Trademark Office