



US00D449692B1

(12) **United States Design Patent** (10) **Patent No.:** **US D449,692 S**
Michelson (45) **Date of Patent:** **** Oct. 23, 2001**

- (54) **ANTERIOR CERVICAL PLATE**
- (76) **Inventor:** **Gary K. Michelson**, 438 Sherman Canal, Venice, CA (US) 90291
- (**) **Term:** **14 Years**
- (21) **Appl. No.:** **29/088,769**
- (22) **Filed:** **Jun. 1, 1998**

Related U.S. Application Data

- (63) Continuation-in-part of application No. 09/022,293, filed on Feb. 11, 1998.
- (51) **LOC (7) Cl.** **24-03**
- (52) **U.S. Cl.** **D24/155**
- (58) **Field of Search** D24/155; 606/61, 606/69, 73, 77, 70, 71, 72

References Cited

U.S. PATENT DOCUMENTS

Re. 31,628	7/1984	Allgower et al. .	
D. 402,032	* 12/1998	Stone	D24/155
D. 406,646	* 3/1999	Stone	D24/155
4,493,317	1/1985	Klaue .	
4,651,724	3/1987	Berentey et al. .	

(List continued on next page.)

OTHER PUBLICATIONS

Advertisement for Codman Anterior Cervical Plate System by Codman, Johnson & Johnson, Professional, Inc.

(List continued on next page.)

Primary Examiner—Ian Simmons
(74) *Attorney, Agent, or Firm*—Martin & Ferraro, LLP

CLAIM

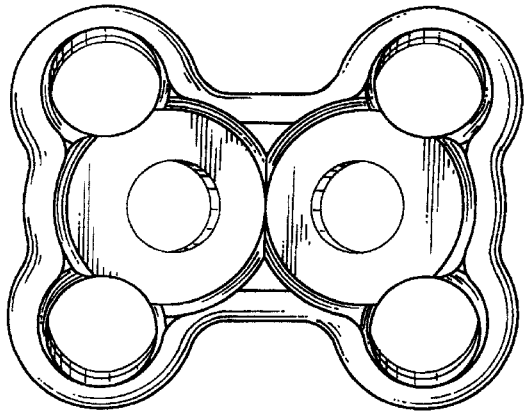
The ornamental design for an anterior cervical plate, as shown and described.

DESCRIPTION

FIG. 1 is a top plan view of the anterior cervical plate of my

new design;
 FIG. 2 is a bottom plan view thereof;
 FIG. 3 is a left side elevational view thereof, the right side elevational view being a mirror image thereof;
 FIG. 4 is a first end view thereof, the second end view being a mirror image thereof;
 FIG. 5 is a top plan view of a second embodiment of the design of FIG. 1;
 FIG. 6 is a bottom plan view thereof;
 FIG. 7 is a left side elevational view thereof, the right side elevational view being a mirror image thereof;
 FIG. 8 is a first end view thereof, the second end view being a mirror image thereof;
 FIG. 9 is a top plan view of a third embodiment of the design of FIG. 1;
 FIG. 10 is a bottom plan view thereof;
 FIG. 11 is a left side elevational view thereof, the right side elevational view being a mirror image thereof;
 FIG. 12 is a first end view thereof, the second end view being a mirror image thereof;
 FIG. 13 is a top plan view of a fourth embodiment of the design of FIG. 1;
 FIG. 14 is a bottom plan view thereof;
 FIG. 15 is a left side elevational view thereof, the right side elevational view being a mirror image thereof;
 FIG. 16 is a first end view thereof, the second end view being a mirror image thereof;
 FIG. 17 is a top plan view of a fifth embodiment of the design of FIG. 1;
 FIG. 18 is a bottom plan view thereof;
 FIG. 19 is a left side elevational view thereof, the right side elevational view being a mirror image thereof;
 FIG. 20 is a first end view thereof, the second end view being a mirror image thereof;
 FIG. 21 is a top plan view of a sixth embodiment of the design of FIG. 1;
 FIG. 22 is a bottom plan view thereof;
 FIG. 23 is a left side elevational view thereof, the right side elevational view being a mirror image thereof; and,
 FIG. 24 is a first end view thereof, the second end view being a mirror image thereof.

1 Claim, 6 Drawing Sheets



U.S. PATENT DOCUMENTS

5,041,113	8/1991	Biedermann et al. .	
5,127,912	7/1992	Ray et al. .	
5,147,361	* 9/1992	Ojima et al.	606/69
5,180,381	1/1993	Aust et al. .	
5,190,544	3/1993	Chapman et al. .	
5,300,073	4/1994	Ray et al. .	
5,364,399	11/1994	Lowery et al. .	
5,423,826	6/1995	Coates et al. .	
5,549,612	8/1996	Yapp et al. .	
5,558,674	9/1996	Heggeness et al. .	
5,601,553	2/1997	Trebing et al. .	
5,607,426	3/1997	Ralph et al. .	
5,676,666	10/1997	Oxland et al. .	
5,954,722	* 9/1999	Bono	606/70

OTHER PUBLICATIONS

AESFULAP Scientific Information Booklet, Anterior Cervical Fusion and Interbody Stabilization with the Trapezial Osteosynthetic Plate Technique by Wolfhard Casper, Feb. 1986.

Article from Plastic and Reconstructive Surgery, Comparison of Compression and Torque Measurements of Self-Tapping and Pretapped Screws by John H. Phillips, M.D., F.R.C.S. (C), and Berton A. Rahn, M.D., D.D.S., Mar. 1989.

Article from The Journal of Prosthetic Dentistry, Bone-implant interface structures after nontapping and tapping insertion of screw-type titanium alloy endosseous implants by Keiichi Satomi, D.D.S., Yasumasa Akagawa, D.D.S., Ph.D., Hiromasa Nikai, D.D.S., Ph.D., and Hiroshima Tsuru, D.D.S., Ph.D., Mar. 1988, vol. 59, No. 3.

Brochure by SYNTHES Spine for Cervical Spine Locking Plate, 1991??

ORION Brochure, Anterior Cervical Plate System, Surgical Technique, as described by Gary L. Lowery, M.D., Ph.D., Jul. 1994??.

CODMAN Brochure, Anterior Cervical Plate System, Sep. 1995.

* cited by examiner

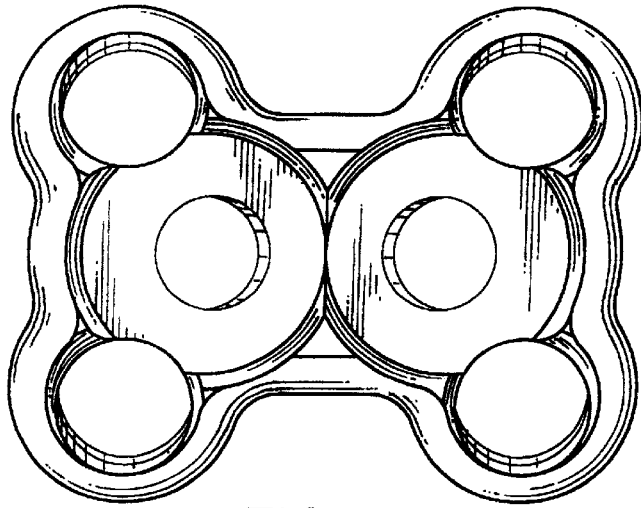


FIG. 1

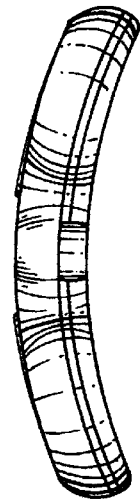


FIG. 4



FIG. 3

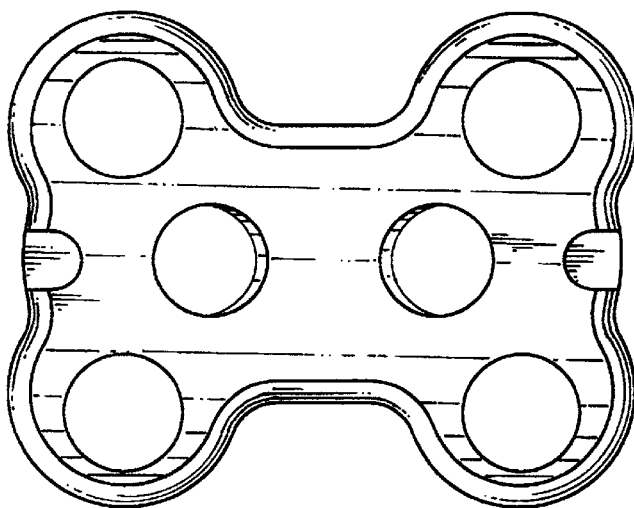


FIG. 2

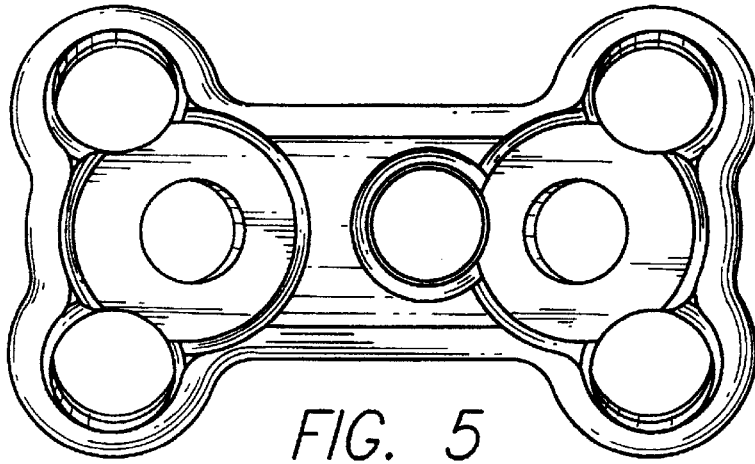


FIG. 5

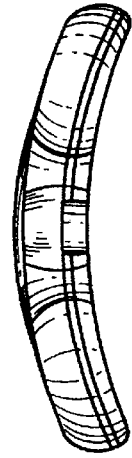


FIG. 8

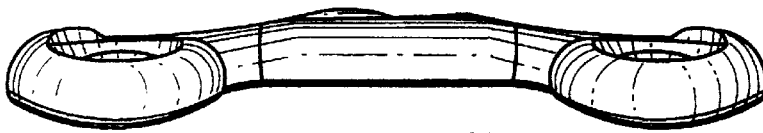


FIG. 7

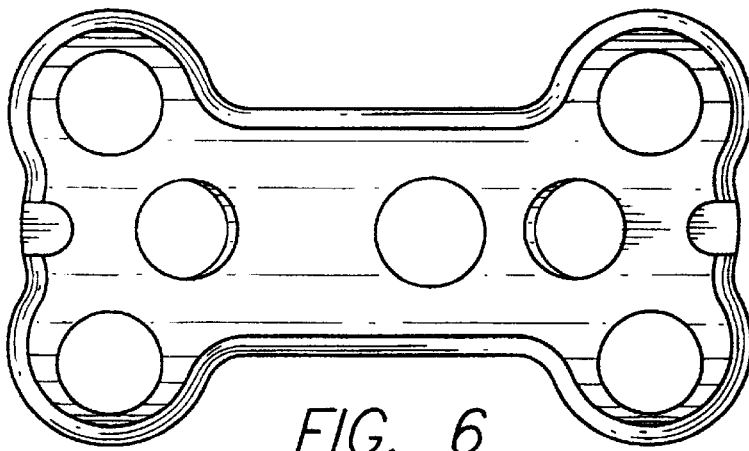


FIG. 6

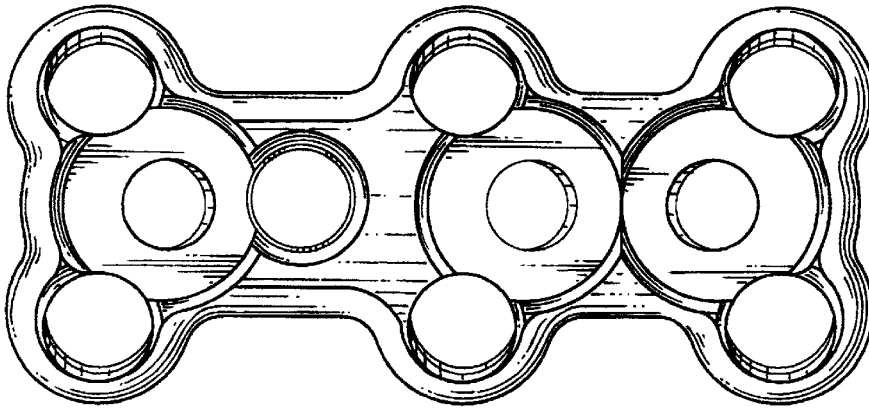


FIG. 9

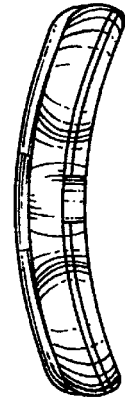


FIG. 12

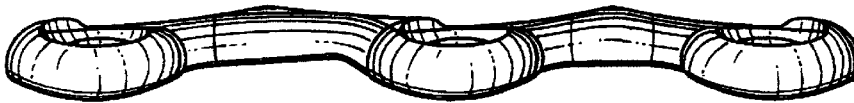


FIG. 11

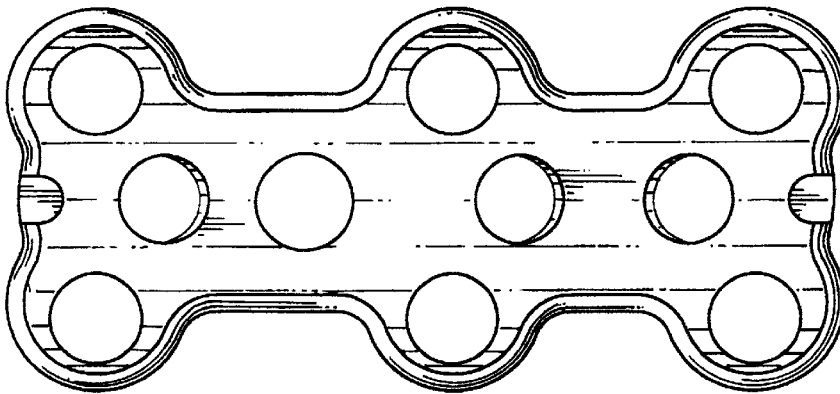


FIG. 10

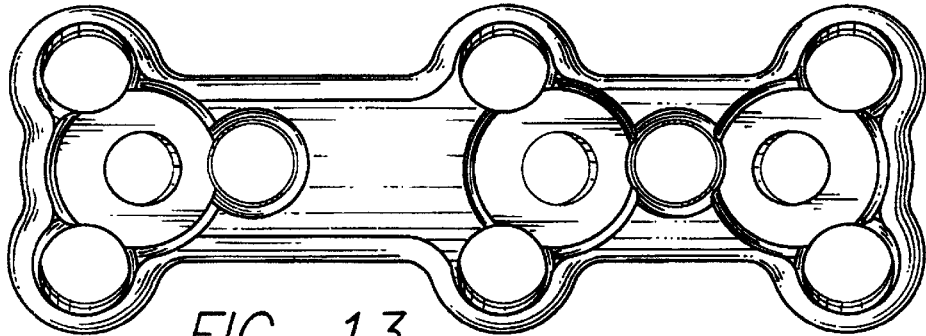


FIG. 13

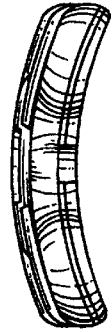


FIG. 16

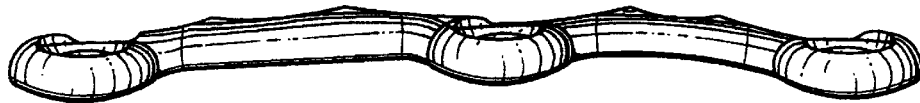


FIG. 15

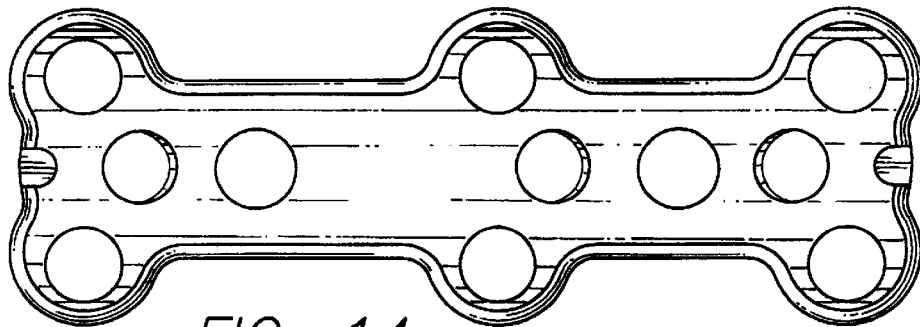


FIG. 14

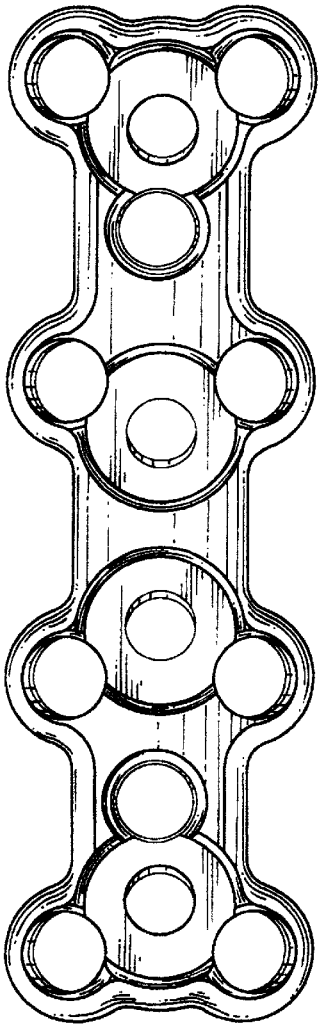


FIG. 17



FIG. 20

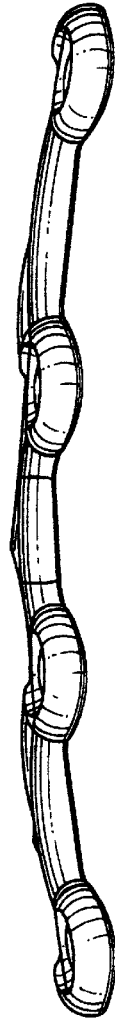


FIG. 19

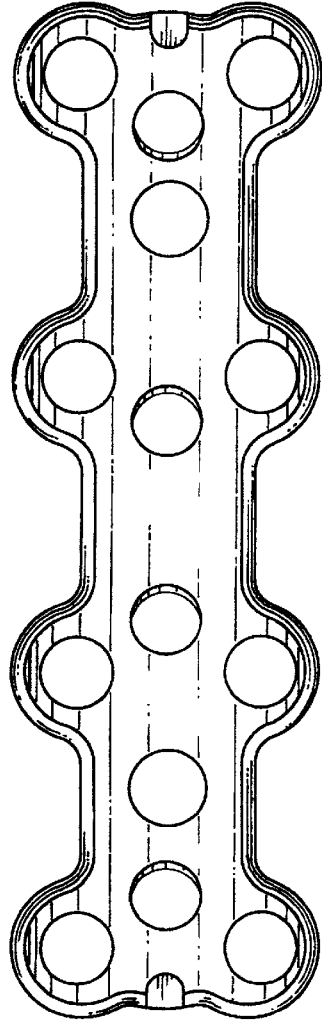


FIG. 18

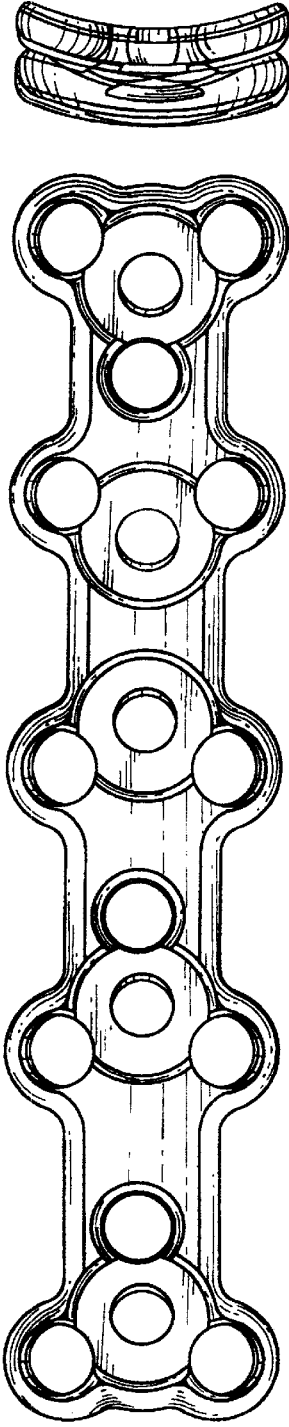


FIG. 21

FIG. 24

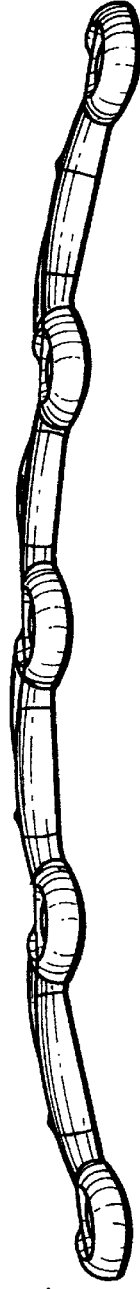


FIG. 23

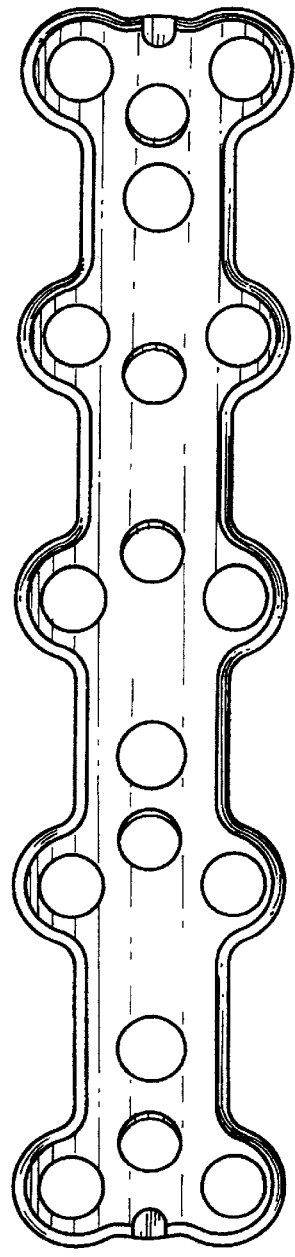


FIG. 22