



US006264656B1

(12) **United States Patent**  
**Michelson**

(10) **Patent No.:** **US 6,264,656 B1**

(45) **Date of Patent:** **\*Jul. 24, 2001**

- (54) **THREADED SPINAL IMPLANT**
- (76) **Inventor:** **Gary Karlin Michelson**, 438 Sherman Canal, Venice, CA (US) 90291
- (\*) **Notice:** Subject to any disclaimer, the term of this patent is extended or adjusted under 35 U.S.C. 154(b) by 0 days.

This patent is subject to a terminal disclaimer.

- (21) **Appl. No.:** **09/075,517**
- (22) **Filed:** **May 8, 1998**

**Related U.S. Application Data**

- (60) Continuation of application No. 08/480,684, filed on Jun. 7, 1995, which is a division of application No. 07/968,240, filed on Oct. 29, 1992, now Pat. No. 5,741,253, which is a continuation of application No. 07/698,674, filed on May 10, 1991, now abandoned, which is a division of application No. 07/205,935, filed on Jun. 13, 1988, now Pat. No. 5,015,247.
- (51) **Int. Cl.<sup>7</sup>** ..... **A61B 17/56**
- (52) **U.S. Cl.** ..... **606/61; 623/17**
- (58) **Field of Search** ..... **606/60, 61; 623/16, 623/17, 18**

- (56) **References Cited**
- U.S. PATENT DOCUMENTS
- Re. 31,865 4/1985 Roux .
- (List continued on next page.)
- FOREIGN PATENT DOCUMENTS
- 1961531 7/1970 (DE) .
- 24 46 039 4/1975 (DE) .

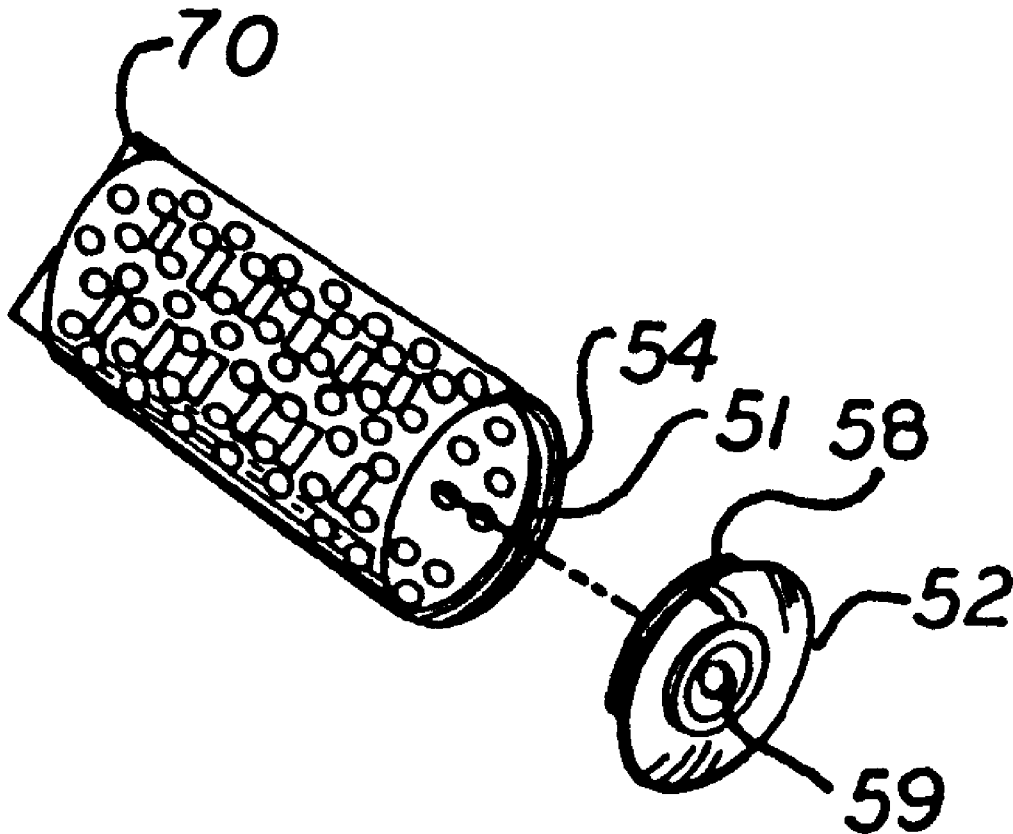
- (List continued on next page.)
- OTHER PUBLICATIONS
- Adams, et al.; Outline of Orthopaedics, Eleventh Edition; Trunk and Spine, p. 194.
- Herkowitz, et al.; Principles of Bone Fusion; The Spine, Third Edition; Chapter 44, p. 1739.

(List continued on next page.)

*Primary Examiner*—Michael A. Brown  
*(74) Attorney, Agent, or Firm*—Martin & Ferraro, LLP  
 (57) **ABSTRACT**

An artificial spinal implant is disclosed which when place between two adjacent vertebrae directly participates and is incorporated in the insuing fusion. Instrumentation and procedure is also disclosed.

**166 Claims, 7 Drawing Sheets**



U.S. PATENT DOCUMENTS			
		4,333,469	6/1982 Jeffcoat et al. .
		4,341,206	7/1982 Perrett et al. .
		4,349,921	9/1982 Kuntz .
		4,356,572	11/1982 Guillemain et al. .
		4,401,112	8/1983 Rezaian .
		4,405,319	9/1983 Cosentino .
		4,414,979	11/1983 Hirshorn et al. .
		4,423,721	1/1984 Otte et al. .
		4,439,152	3/1984 Small .
		4,450,834	5/1984 Fischer .
		4,484,570	11/1984 Sutter et al. .
		4,492,226	1/1985 Belykh et al. .
		4,497,320	2/1985 Nicholson et al. .
		4,501,269 *	2/1985 Bagby ..... 629/18
		4,507,115	3/1985 Kambara et al. .
		4,530,360	7/1985 Duarte .
		4,535,374	8/1985 Anderson et al. .
		4,535,485	8/1985 Ashman et al. .
		4,542,539	9/1985 Rowe, Jr. et al. .
		4,545,374	10/1985 Jacobson .
		4,547,390	10/1985 Ashman et al. .
		4,549,547	10/1985 Brighton et al. .
		4,552,200	11/1985 Sinha et al. .
		4,553,273	11/1985 Wu .
		4,554,914	11/1985 Kapp et al. .
		4,570,623	2/1986 Ellison et al. .
		4,570,624	2/1986 Wu .
		4,592,346	6/1986 Jurgutis .
		4,599,086	7/1986 Doty .
		4,600,000	7/1986 Edwards .
		4,602,638	7/1986 Adams .
		4,604,995	8/1986 Stephens .
		4,608,052	8/1986 Van Kampen et al. .
		4,611,581	9/1986 Steffee .
		4,619,264	10/1986 Singh .
		4,628,921	12/1986 Rousso .
		4,634,720	1/1987 Dorman et al. .
		4,636,217	1/1987 Ogilvie et al. .
		4,636,526	1/1987 Dorman et al. .
		4,645,503	2/1987 Lin et al. .
		4,653,486	3/1987 Coker .
		4,653,509	3/1987 Oloff et al. .
		4,655,777	4/1987 Dunn .
		4,661,536	4/1987 Dorman et al. .
		4,664,567	5/1987 Edwards .
		4,665,920	5/1987 Campbell .
		4,677,883	7/1987 Lee .
		4,677,972	7/1987 Tornier .
		4,693,721	9/1987 Ducheyne .
		4,696,290	9/1987 Steffee .
		4,698,375	10/1987 Dorman et al. .
		4,710,075	12/1987 Davison .
		4,713,004	12/1987 Linkow et al. .
		4,714,469	12/1987 Kenna .
		4,721,103	1/1988 Freedland .
		4,736,738	4/1988 Lipovsek et al. .
		4,743,256 *	5/1988 Brantigan ..... 623/17
		4,743,260	5/1988 Burton .
		4,759,766	7/1988 Buettner-Janz et al. .
		4,759,769	7/1988 Hedman et al. .
		4,769,881	9/1988 Pedigo et al. .
		4,781,591	11/1988 Allen .
		4,790,303	12/1988 Steffee .
		4,805,602	2/1989 Puno et al. .
		4,820,305	4/1989 Harms et al. .
		4,830,000	5/1989 Shutt .
		4,834,757 *	5/1989 Brantigan ..... 623/17
		4,847,327	7/1989 Perdue .
		4,851,008	7/1989 Johnson .
		4,863,476	9/1989 Shepperd .
		4,863,477	9/1989 Monson .

4,865,603	9/1989	Noiles .	
4,877,020	10/1989	Vich .	
4,878,915 *	11/1989	Brantigan .....	623/17
4,903,882	2/1990	Long .	
4,911,718	3/1990	Lee et al. .	
4,913,144	4/1990	Del Medico .	
4,943,291	7/1990	Tanguy .	
4,955,908	9/1990	Frey et al. .	
4,957,495	9/1990	Kluger .	
5,084,050	1/1992	Draenert .	
5,122,130	6/1992	Keller .	

## FOREIGN PATENT DOCUMENTS

3101333 A1	12/1981	(DE) .
3132520 A1	6/1982	(DE) .
3505567 A1	6/1986	(DE) .
36 08 163 A1	9/1987	(DE) .
0 077 159	4/1983	(EP) .
0 162 005	11/1985	(EP) .
0 260 044	3/1988	(EP) .
0303241 A2	2/1989	(EP) .
283078	5/1985	(ES) .
2 295 729	7/1976	(FR) .
0 179 695	4/1986	(FR) .
2 581 336	11/1986	(FR) .
2076657	12/1981	(GB) .
2082754	3/1982	(GB) .
2126094	3/1984	(GB) .
2164277	3/1986	(GB) .
57-29348	2/1982	(JP) .
60-31706	2/1985	(JP) .
60-43984	3/1985	(JP) .
61-122859	6/1986	(JP) .
62-155846	7/1987	(JP) .
106 101	7/1939	(SE) .
1107854	8/1984	(SU) .
1124960	11/1984	(SU) .
1217374	3/1986	(SU) .
1222254	4/1986	(SU) .
84/01298	4/1984	(WO) .

## OTHER PUBLICATIONS

Muschler, et al.; *The Biology of Spinal Fusion; Spinal Fusion Science and Technique*, Cotler and Cotler, pp. 9-13.

Zindrick, et al.; *Lumbar Spine Fusion: Different Types and Indications; The Lumbar Spine*, vol. 1, Second Edition, pp. 588-593 (1996).

Gillingham, F.J. et al.; *Automatic Patient Monitoring in the Ward; Brit. J. Surg.*, vol. 53, No. 10, pp. 864-866 (Oct. 1966).

Maloney, A.F.J., et al.; *Clinical and Pathological Observations in Fatal Head Injuries*, *Brit. J. Surg.*, vol. 56, No. 1, pp. 23-31 (Jan. 1969).

Harris, P., et al.; *Spinal Deformity After Spinal Cord Injury; Paraplegia*, vol. 6, No. 4, pp. 232-238 (Feb. 1969).

Gillingham, F.J., et al.; *Head injuries; Proceedings of the 18<sup>th</sup> World Congress of the International College of Surgeons*, Rome, pp. 68-71 (May 28-31, 1972).

Whatmore, W.J.; *Sincipital Encephalomeningoceles; Brit. J. Surg.*, vol. 60, No. 4, pp. 261-270 (Apr. 1973).

Whatmore, W.J.; *Meningioma Following Trauma; Brit. J. Surg.*, vol. 60 No. 6, pp. 496-498 (Jun. 1973).

Bagby, George W.; *Wobbler Syndrome in Horses (the Ataxic Horse); Spokane County Medical Society Bulletin; Spring 1979.*

Rathke, F.W., et al.; *Surgery of the Spine; Atlas of Orthopaedic Operations*, vol. 1, p. 137, W.B. Saunders Co., Philadelphia (1979).

Albrektsson, T., et al.; *Osseointegrated Titanium Implants; Acta. Orthop. Scand.*; vol. 52:155-170 (1981).

Raveh, J., et al.; *Neue Rekonstruktionsmöglichkeiten des Unterkiefers bei knöchernen Defekten nach Tumoresektionen; Der Chirurg* vol. 53:459-467 (1982).

Crock, H. V.; *Practice of Spinal Surgery; Springer-Verlag/Wien*, New York (1983).

DeBowes, R.M., et al.; *Study of Bovine . . . Steel Baskets; Transactions of the 29th Annual Meeting; Orthopaedic Research Society*, vol. 8, p. 407, Mar. 8-10 (1983).

O'Neill, P., et al.; *Spinal Meningoceles in Association with Neurofibromatosis; Neurosurgery*, vol. 13, No. 1, pp. 82-84 (Jul. 1983).

Brandt, L., et al.; *A Dowel Insert for Anterior Cervical Interbody Fusion; J. Neurosurg.* 61:793-794 (Oct. 1984).

Whatmore, W.J., et al.; *The Coventry Cervical Spreader and Dowel Insert; ACTA Neurochirurgica* vol. 70, FASC. 1-2 (1984).

Raveh, J., et al.; *Use of the Titanium-coated Hollow Screw and Reconstruction Plate System in Bridging of Lower Jaw Defects; J. Oral Maxillofac Surg.* 42:281-294 (1984).

Otero-Vich, Jose M.; *Anterior Cervical Interbody Fusion with Threaded Cylindrical Bone; J. Neurosurg* 63:750-753 (Nov. 1985).

Morscher, E., et al.; *Die vordere Verplattung der Halswirbelsäule mit dem Hohlschrauben-Plattensystem aus Titanium, Der Chirurg*, vol. 57, pp. 702-707 (1986) with English Translation.

Bagby, G.W.; *Basket Implant Facilitates Spinal Fusion; Orthopedics Today*, vol. 7, No. 10, (Oct. 1987).

Butts, M.K., et al.; *Biomechanical Analysis of a New Method of Spinal Interbody Fixation; 1987 Symposium, American Society of Mechanical Engineers, "Advances in Bioengineering"*, Boston, MA (Dec. 13-18, 1987).

Crawley et al.; *A Modified Cloward's Technique for Arthrodesis of the Normal Metacarpophalangeal Joint in the Horse; Veterinary Surgery*, vol. 17, No. 3, pp. 117-127 (1988).

Raveh, J., et al.; *Surgical Procedures for Reconstruction of the Lower Jaw Using the Titanium-Coated Hollow-Screw Reconstruction Plate System: Bridging of Defects; Otolaryngologic Clinics of North America*; vol. 20, No. 3 (Aug. 1987).

Whatmore, W.J.; *Proceedings of the Society of British Neurological Surgeons; Journal of Neurology, Neurosurgery, and Psychiatry*, 50:1093-1100 (1987).

Goldthwaite, N., et al.; *Toward Percutaneous Spine Fusion; Ch. 45; Lumbar Spine Surgery; C.V. Mosby Company*, pp. 512-522 (1987).

Bagby, G.W.; *Arthrodesis by the Distraction-Compression Method Using a Stainless Steel Implant; Orthopedics*, vol. II, No. 6, pp. 931-934 (Jun. 1987).

Itoman, M., et al.; *Banked Bone Grafting for Bone Defect Repair—Clinical Evaluation of Bone Union and Graft Incorporation; J. Jpn. Orthop. Assoc.* 62:461-469 (1988).

Kane, W.J.; *Direct Current Electrical Bone Growth Stimulation for Spinal Fusion; Spine*, vol. 13, No. 3, pp. 363-365 (Mar. 1988).

\* cited by examiner

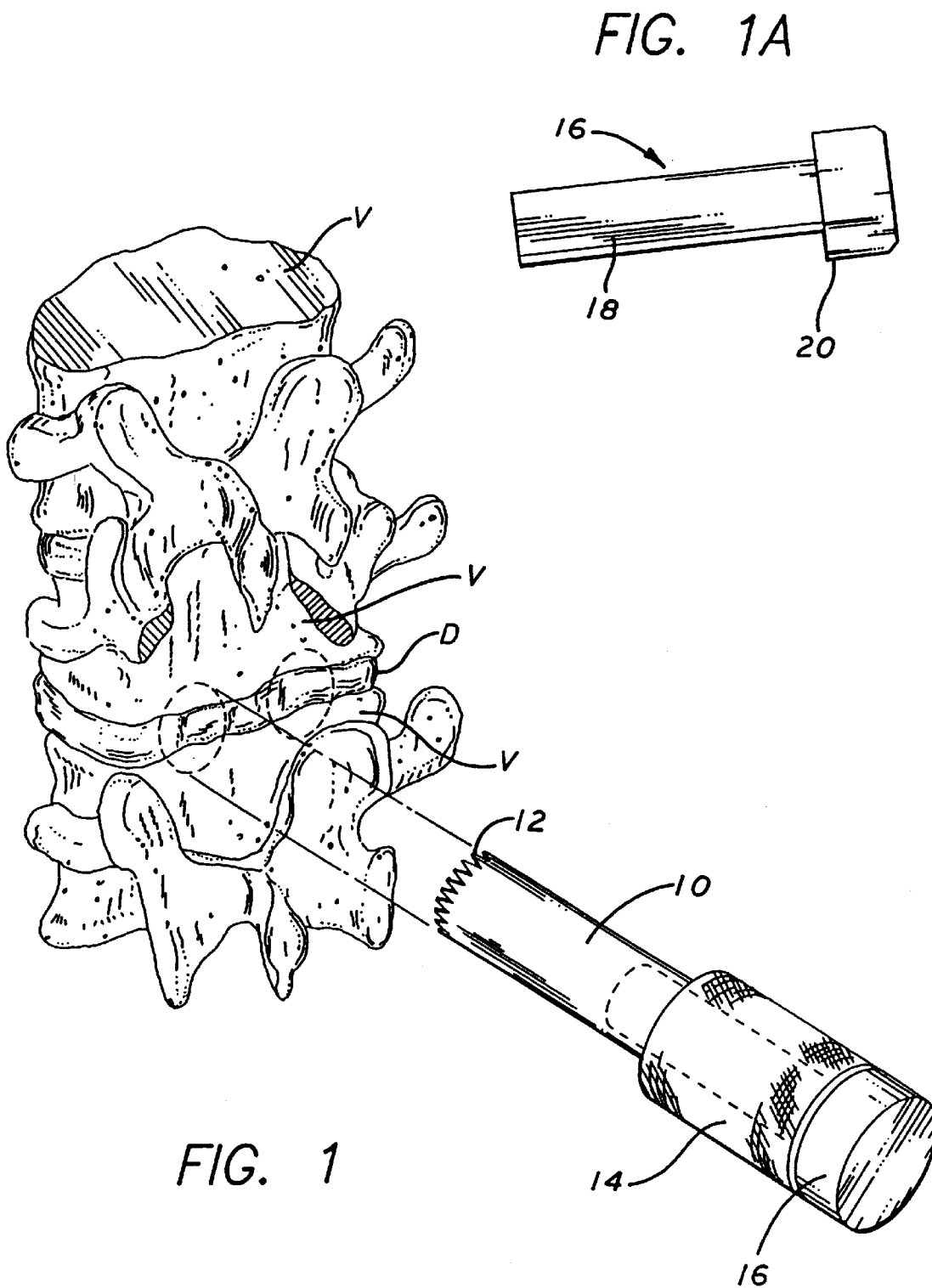
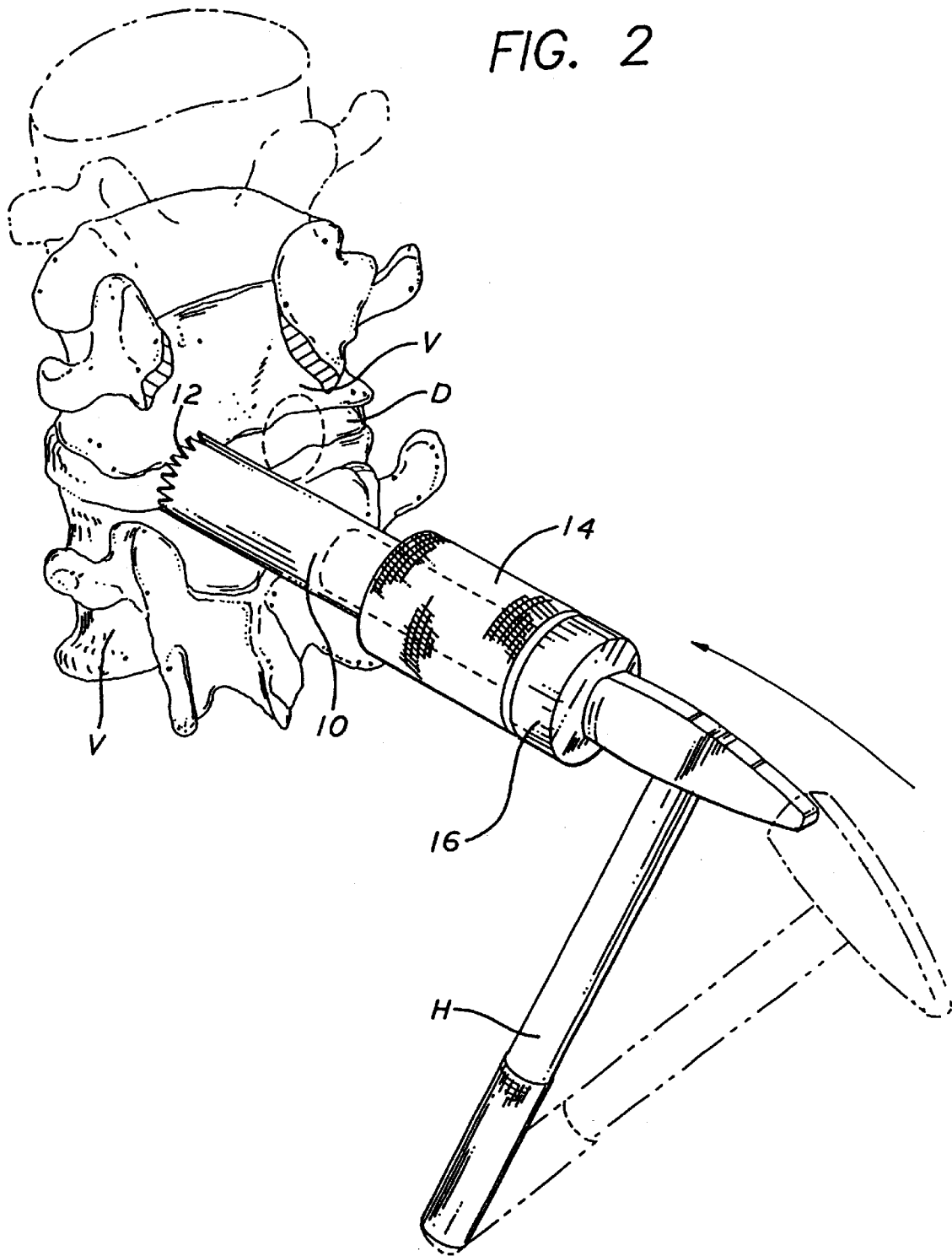


FIG. 2



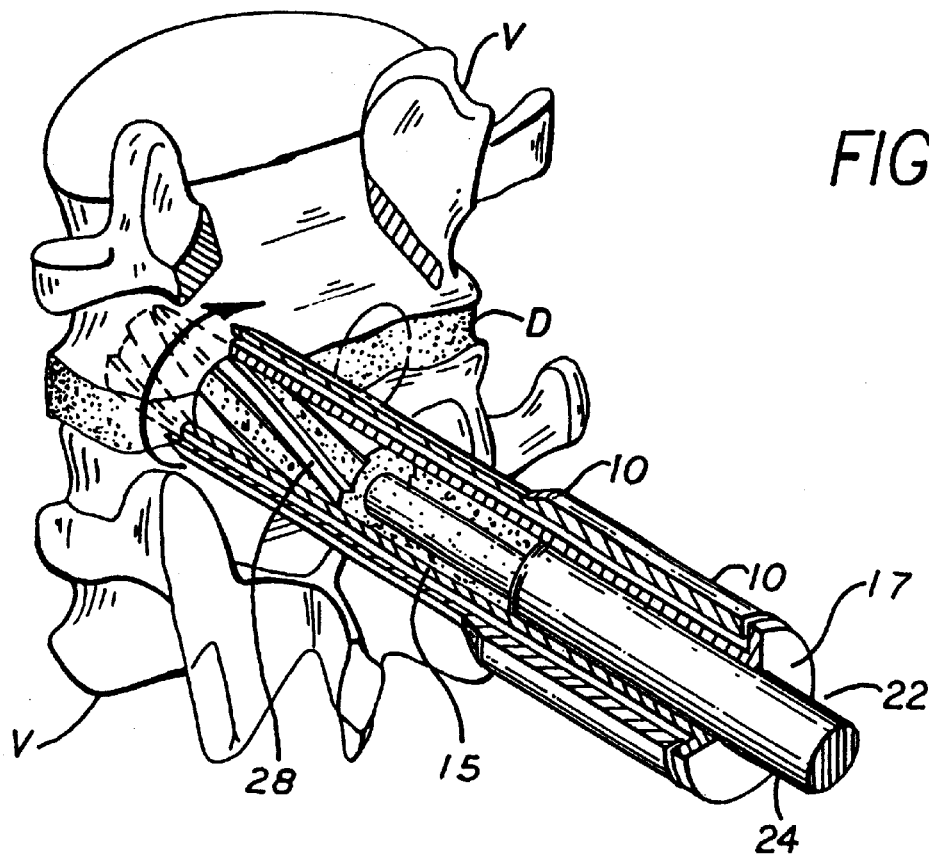


FIG. 3

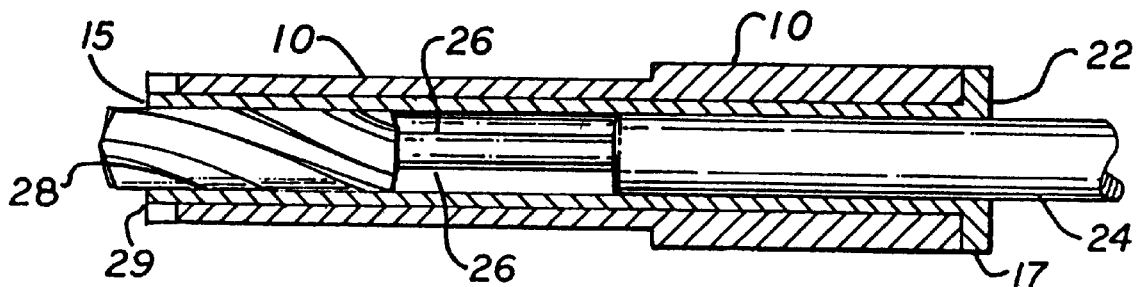
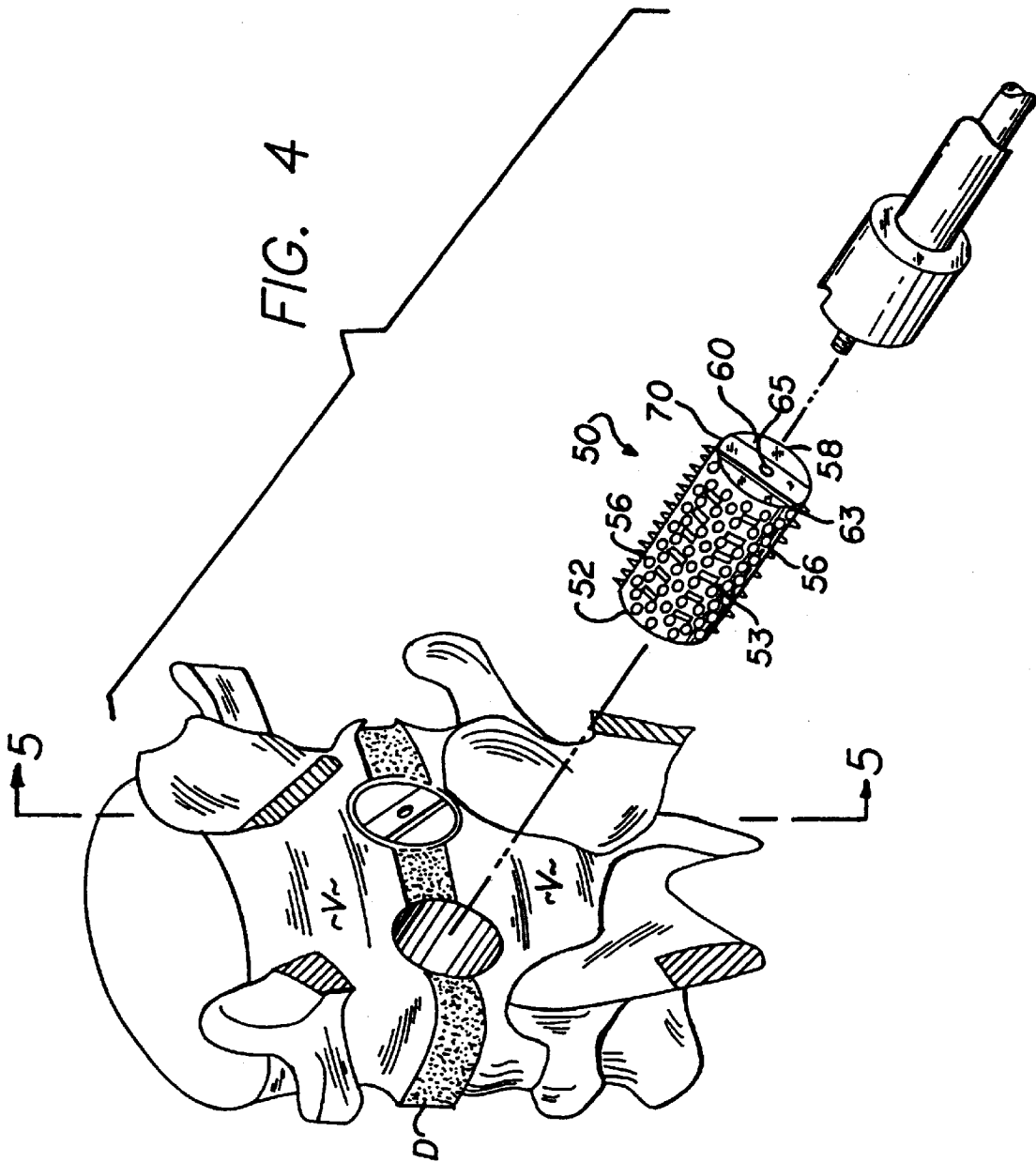


FIG. 3A



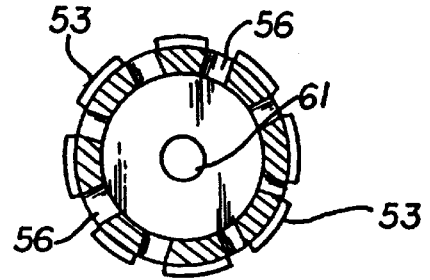
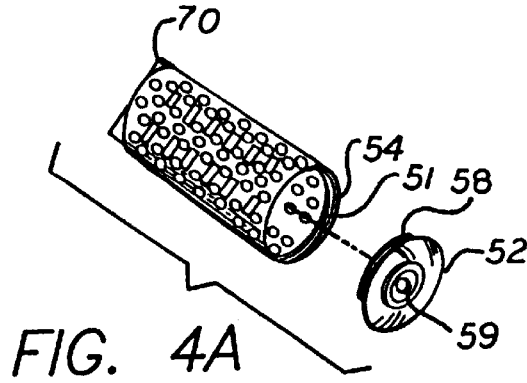


FIG. 4D

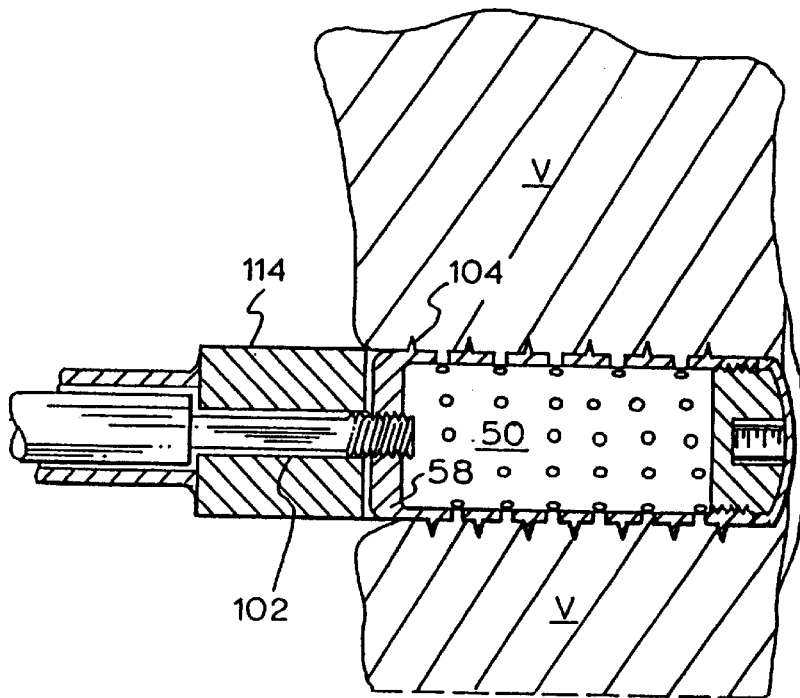
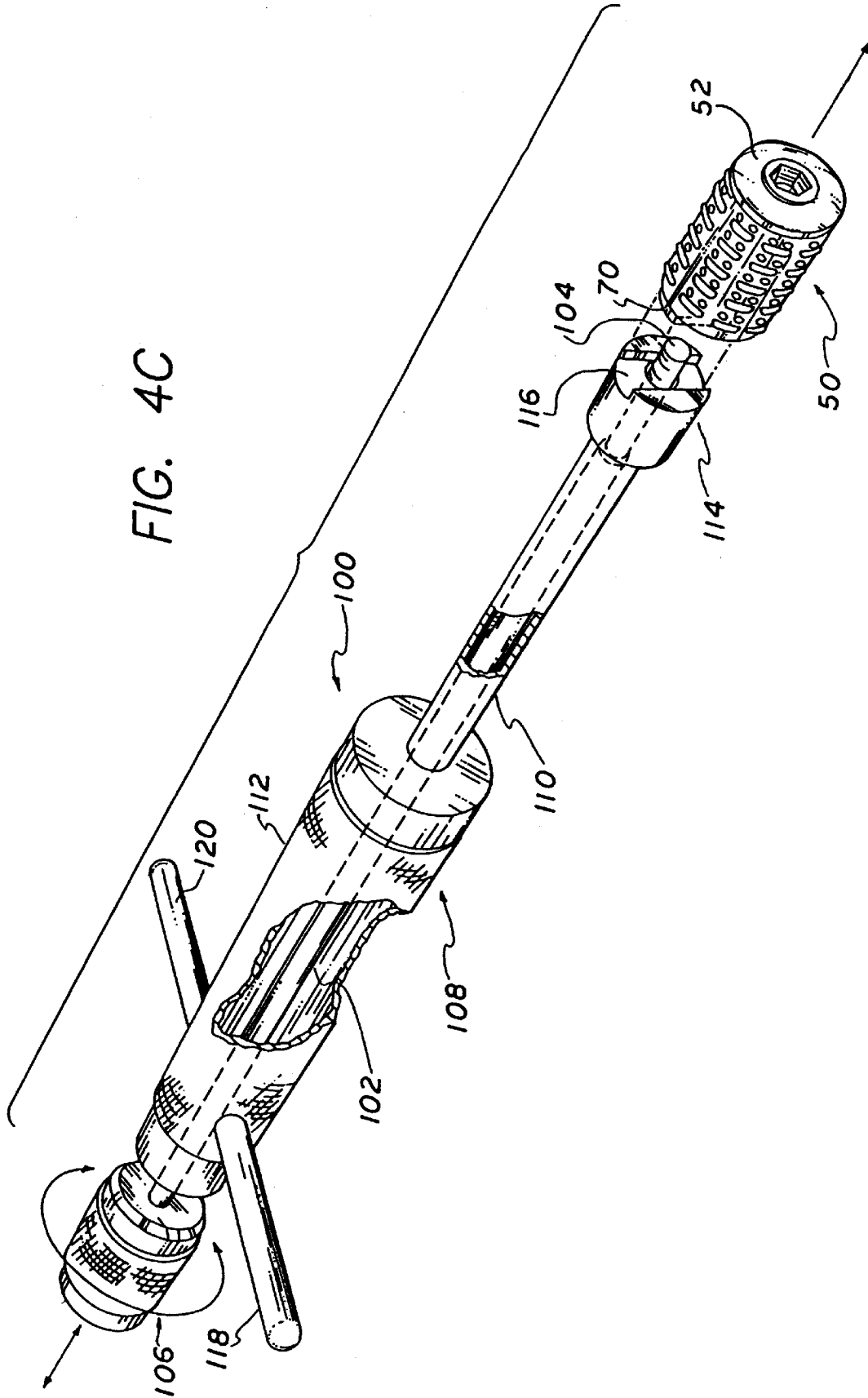




FIG. 4C



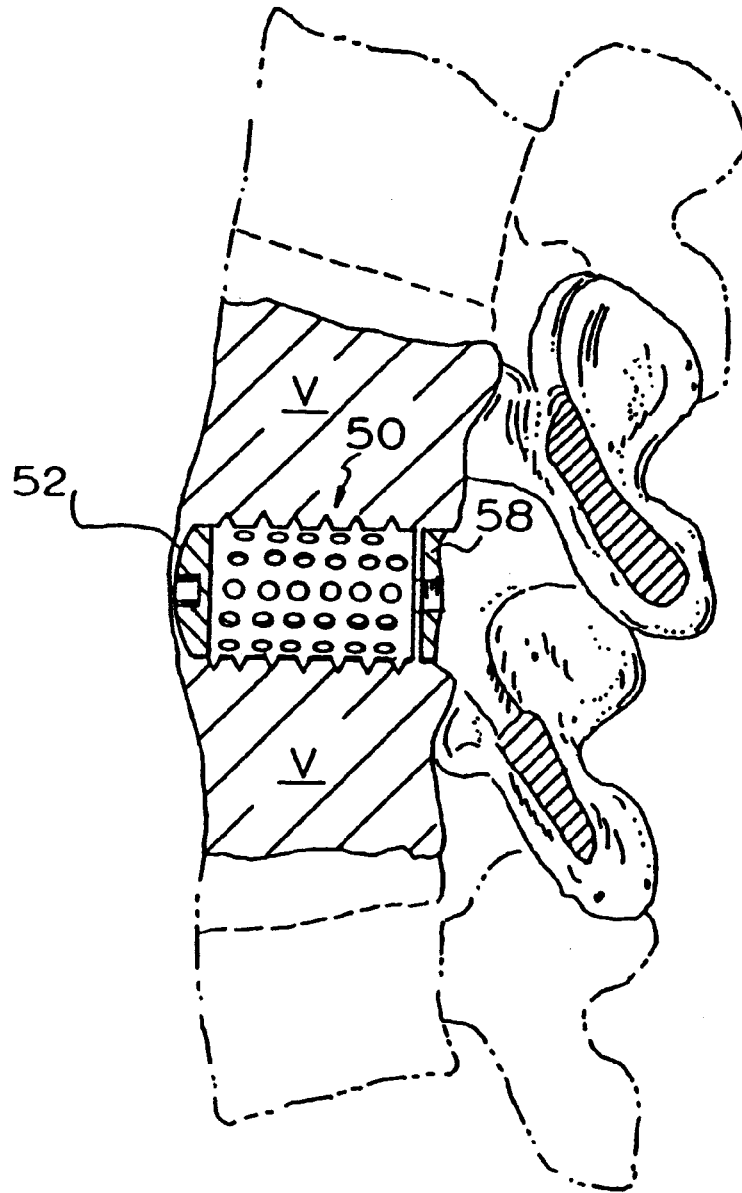


FIG. 5

## THREADED SPINAL IMPLANT

This application is a continuation of application Ser. No. 08/480,684, filed Jun. 7, 1995, which is a divisional application of application Ser. No. 07/968,240, filed Oct. 29, 1992, now U.S. Pat. No. 5,741,253, which is a continuation of application Ser. No. 07/698,674, filed May 10, 1991, abandoned, which is a divisional of application Ser. No. 07/205,935, filed Jun. 13, 1988, now U.S. Pat. No. 5,015,247.

### BACKGROUND

The present invention relates to an artificial fusion implant to be placed into the intervertebral space left after the removal of a damaged spinal disc.

The purpose of the present invention is to provide an implant to be placed within the intervertebral disc space and provide for the permanent elimination of all motion at that location. To do so, the device is space occupying within the disc space, rigid, self-stabilizing to resist dislodgement, stabilizing to the adjacent spinal vertebrae to eliminate local motion, and able to intrinsically participate in a vertebra to vertebrae bony fusion so as to assure the permanency of the result.

At present, following the removal of a damaged disc, either bone or nothing is placed into the space left. Placing nothing in the space allows the space to collapse which may result in damage to the nerves; or the space may fill with scar tissue and eventually lead to a reherniation. The use of bone is less than optimal in that the bone obtained from the patient requires additional surgery and is of limited availability in its most useful form, and if obtained elsewhere, lacks living bone cells, carries a significant risk of infection, and is also limited in supply as it is usually obtained from accident victims. Furthermore, regardless of the source of the bone, it is only marginal structurally and lacks a means to either stabilize itself against dislodgement, or to stabilize the adjacent vertebrae.

A review of related prior art will demonstrate the novelty of the present invention.

There have been an extensive number of attempts to develop an acceptable disc prosthesis (an artificial disc). Such devices by design would be used to replace a damaged disc and seek to restore the height of the interspace and to restore the normal motion of the spinal joint. No such device has been found that is medically acceptable. This group of prosthetic or artificial disc replacements, seeking to preserve spinal motion and so are different from the present invention, would include:

U.S. Pat. No. 3,867,728 STUBSTAD—describing a flexible disc implant.

U.S. Pat. No. 4,349,921 KUNTZ—describing a flexible disc replacement with file like surface projections to discourage device dislocation.

U.S. Pat. No. 4,309,777 PATIL—describing a motion preserving implant with spiked outer surfaces to resist dislocation and containing a series of springs to urge the vertebrae away from each other.

U.S. Pat. No. 3,875,595 FRONING—describing a motion preserving bladder like disc replacement with two opposed stud-like projections to risk dislocation.

U.S. Pat. No. 2,372,622 FASSIO (FRENCH)—describing a motion preserving implant comprising complimentary opposed convex and concave surfaces.

In summary then, these devices resemble the present invention only in that they are placed within the interverte-

bral space following the removal of a damaged disc. In that they seek to preserve spinal motion, they are diametrically different from the present invention which seeks to permanently eliminate all motion at the spinal segment.

A second related area of prior art includes those devices utilized to replace essentially wholly removed vertebra. Such removal is generally necessitated by extensive vertebral fractures, or tumors, and is not associated with the treatment of disc disease. While the present invention is to be placed within the disc space, these other vertebral devices cannot be placed within the disc space as at least one vertebra has already been removed such that there no longer remains a "disc space." Furthermore, these devices are limited in that they seek to perform as temporary structural members mechanically replacing the removed vertebra (not a removed disc), and do not intrinsically participate in supplying osteogenic material to achieve cross vertebrae bony fusion. Therefore, again unlike the present invention which provides for a source of osteogenesis, use of this group of devices must be accompanied by a further surgery consisting of a bone fusion procedure utilizing conventional technique. This group consisting of vertebral struts rather than disc replacement would include the following:

U.S. Pat. No. 4,553,273 WU—describing a turnbuckle like vertebral strut.

U.S. Pat. No. 4,401,112 REZAIAN—describing a turnbuckle like vertebral strut with the addition of a long stabilizing staple that spans the missing vertebral body.

U.S. Pat. No. 4,554,914 KAPP—describing a large distractible spike that elongates with a screw mechanism to span the gap left by the removal of a entire vertebra and to serve as an anchor for acrylic cement which is then used to replace the missing bone (vertebra).

U.S. Pat. No. 4,636,217 OGILVIE—describing a vertebral strut mechanism that can be implanted after at least one vertebra has been removed and which device consists of a mechanism for causing the engagement of screws into the vertebra above and the vertebra below the one removed.

In summary then, this group of devices differs from the present invention in that they are vertebra replacements struts, do not intrinsically participate in the bony fusion, can only be inserted in the limited circumstances where an entire vertebra has been removed from the anterior approach, and are not designed for, or intended to be used for the treatment of disc disease.

A third area of prior art related to the present invention includes all devices designed to be applied to one of the surfaces of the spine. Such devices include all types of plates, struts, and rods which are attached by hooks, wires and screws. These devices differ significantly from the present invention in that they are not inserted within the disc space, and furthermore do not intrinsically participate in supplying osteogenic material for the fusion.

Therefore, with these devices where permanent spinal immobilization is desired an additional surgery consisting of a spinal fusion performed by conventional means or the use of supplemental methylmethacrylate cement is required. Such devices applied to the spine, but not within the disc space, would include the following:

U.S. Pat. No. 4,604,995 —STEPHENS—describing a "U" shaped metal rod attached to the posterior elements of the spine with wires to stabilize the spine over a large number of segments.

U.S. Pat. No. 2,677,369 —KNOWLES—describing a metal column device to be placed posteriorly along the

lumbar spine to be held in position by its shape alone and to block pressure across the posterior portions of the spinal column by locking the spine in full flexion thereby shifting the maximum weight back onto the patient's own disc.

Other devices are simply variations on the use of rods (e.g. Harrington Luque, Cotrel-Dubosset, Zielke), wires or cables (Dwyer), plates and screws (Steffee), or struts (Dunn, Knowles).

In summary, none of these devices are designed or can be used within the disc space, do not replace a damaged disc, and do not intrinsically participate in the generation of a bony fusion.

Another area of related prior art to be considered is that of devices designed to be placed within the vertebral interspace following the removal of a damaged disc, and seeking to eliminate further motion at the location.

A device is contained in U.S. Pat. No. 4,501,269 BAGBY—describing an implantable device and limited instrumentation. The method employed is as follows: a hole is bored transversely across the joint and then a hollow metal basket of larger diameter than the hole is then pounded into the hole and then filled with the bone debris generated by the drilling.

While the present invention (device, instrumentation, and method) may appear to bear some superficial resemblance to the BAGBY invention, it is minimal, while the differences are many fold and highly significant. These differences include the following:

#### 1. Safety

The present invention provides for a system of completely guarded instrumentation so that all contiguous vital structures (e.g. large blood vessels, neural structures) are absolutely protected. Said instrumentation also make overpenetration by the drill impossible. Such over penetration in the cervical spine, for example, would result in the total paralysis or death of a patient. In the thoracic spine, the result would be complete paraplegia. In the lumbar spine, the result would be paraplegia or a life-threatening perforation of the aorta, vena cava, or iliac vessels. The present invention is atraumatically screwed into place while the BAGBY device, in contradistinction, is pounded into position. BAGBY describes that the implant is significantly large in size than the hole drilled and must be pounded in. This is extremely dangerous and the pounding occurs directly over the spinal cord which is precariously vulnerable to percussive injury. Furthermore, while it is possible for example in the lumbar spine, to insert the present invention away from the spinal cord and nerves, the BAGBY device must always be pounded directly towards the spinal cord.

Furthermore, since the BAGBY device is pounded into a smooth hole under great resistance, and lacking any specific sign feature to secure it, the device is highly susceptible to forceful ejection which would result in great danger to the patient and a clinical failure. The present invention, in contradistinction, is securely screwed into place, and possesses highly specialized locking threads to make accidental dislodgement impossible. Because of the proximity of the spinal cord, spinal nerves, and blood vessels, any implant dislodgement as might occur with the BAGBY device might have catastrophic consequences.

#### 2. Broad applicability

The BAGBY device can only be inserted from the front of the vertebral column, however, the present invention can be utilized in the cervical, thoracic, and lumbar spine, and can be inserted from behind (posteriorly) in the lumbar

spine. This is of great importance in that the purpose of these devices is in the treatment of disc disease and probably greater than 99 percent of all lumbar operations for the treatment of disc disease are performed from being where the present invention can easily be utilized, but the BAGBY devices, as per his description, cannot.

#### 3. Disc Removal

The BAGBY invention requires the complete removal of the disc prior to the drilling step, whereas the present invention eliminates the laborious separate process of disc removal and efficiently removes the disc and prepares the vertebral end plates in a single step.

#### 4. Time Required

The present invention saves time over the BAGBY invention in that time is not wasted laboring to remove the disc prior to initiating the fusion. Also, since with the present invention the procedure is performed through a system of guarded instrumentation, time is not wasted constantly placing and replacing various soft tissue retractors throughout the procedure.

#### 5. Implant Stability

Dislodgement of the implant would be a major source of device failure (an unsuccessful clinical result), and might result in patient paralysis or even death. As discussed, the BAGBY device lacks any specific means of achieving stability and since it is pounded in against resistance to achieve vertebral distraction, it is susceptible to forceful dislodgement by the tendency of the two distracted vertebrae, to return to their original positions squeezing out the device. The present invention however is screwed into place. As there is no unscrewing force present between the vertebrae and compression alone cannot dislodge the implant, the implant is inherently stable by its design. Furthermore, the threads of the present invention are highly specialized in that they are periodically interrupted such that the tall ends of each of the tabs so formed are blunted and twisted so as to resist accidental unscrewing. The removal of an implant with such "locking threads" requires the use of a special extractor included within the instrumentation. The stability of the present invention is still further enhanced, again in contradistinction to the BAGBY device, by the presence of a "bone ingrowth" surface texturing, which both increases the friction of the fit and allows for the direct growth of the vertebral bone into the casing of the implant itself.

#### 6. Spinal Stability

The present invention is not only self-stabilizing, it also provides stability to the adjacent vertebrae in at least three ways that the BAGBY device cannot. First, the BAGBY device is placed transversely across the joint in the center, leaving both vertebrae free to rock back and forth over this round barrel shaped axis, much like a board over a barrel, being used for a seesaw.

Secondly, as the BAGBY device lacks any specific design features to resist sliding, it may actually behave as a third body allowing the translation of the vertebrae relative to the device and to each other.

Thirdly, any device can only provide stability if it remains properly seated. The present invention is inherently stable, and therefore assures that it will stabilize the adjacent vertebrae; rather than, as with the BAGBY device, where the instability of the spine to be treated may instead cause a dislocation of the implant, with further loss of spinal stability.

### 7. The Collapse of the Interspace

While both the present invention and the BAGBY device can be fabricated to withstand the compression forces within the interspace, the interspace may nevertheless collapse under the superincumbent body weight as the implant settles into the vertebral bone. This is related to the load per unit area. Again the present invention is superior to the BAGBY device in at least four ways. First, the present invention offers considerably greater surface area to distribute the load. Secondly, while the BAGBY device is placed centrally, the present device is placed bilaterally where the bone tends to be more cortical and much stronger out towards the rim. Thirdly, the present invention supports the load achieving an "I" beam effect, whereas the BAGBY implant does not. Fourthly, it is not pressure alone that causes the collapse of the bone adjacent to the implant, but also bony erosion that is caused by the motion under pressure of the implant against the bone. As discussed in item #6 above, the present invention alone is highly resistant to such motion, again diminishing the likelihood of erosion and interspace collapse.

### 8. Bone Ingrowth Surface Texturing

The present invention has a surface treatment of known and conventional technology to induce the growth of bone from the vertebrae directly into the casing material of the implant itself. The BAGBY device has no similar feature.

### 9. Fusion Mass

The BAGBY invention calls for removing the disc and then drilling a hole between the adjacent vertebrae. The bony debris so generated is then put into the device. The present invention takes core of pure bone producing marrow from the iliac crest, and then by use of a special press forcibly injects the device with an extremely dense compressed core of that osteogenic material until the material itself virtually extrudes from every cell of the implant.

### 10. The Probability of Achieving Fusion

The fusion rate within the spine is known to be related directly to the amount of exposed vascular bone bed area, the quality and quantity of the fusion mass available, and the extent of the stabilization obtained with all other factors being held constant. It would be anticipated, that the fusion rate would be superior with the present invention as compared to the BAGBY device, because of optimal implant stability (#5), optimal spinal stability (#6), bone ingrowth surface treatment (#8), superior fusion mass (#9), and the greater exposed vertebral bony surface area (#7).

The last area of prior art possibly related to the present invention and therefore, to be considered related to "BONY INGROWTH", and patients either describe methods of producing materials and or materials or devices to achieve the same. Such patents would include:

U.S. Pat. No. 4,636,526 (DORMAN), U.S. Pat. No. 4,634,720 (DORMAN), U.S. Pat. No. 4,542,539 (ROWE), U.S. Pat. No. 4,405,319 (CONSENTINO), U.S. Pat. No. 4,439,152 (SMALL), U.S. Pat. No. 4,168,326 (BROEMER), U.S. Pat. No. 4,535,485 (ASHMAN), U.S. Pat. No. 3,987,499 (SCHARBACH), U.S. Pat. No. 3,605,123 (HAHN), U.S. Pat. No. 4,655,777 (DUNN), U.S. Pat. No. 4,645,503 (LIN), U.S. Pat. No. 4,547,390 (ASHMAN), U.S. Pat. No. 4,608,052 (VAN KAMPEN), U.S. Pat. No. 4,698,375 (DORMAN), U.S. Pat. No. 4,661,536 (DORMAN), U.S. Pat. No. 3,952,334 (BOKROS), U.S. Pat. No. 3,905,047 (LONG), U.S. Pat. No. 4,693,721 (DUCHEYNE), U.S. Pat. No. 4,070,514 (ENTHERLY).

However, while the present invention would utilize bone ingrowth technology, it would do so with conventional technology.

In summary then, the present invention, instrumentation, and method, alone provides for a one stage discectomy, fusion, and interbody internal spinal fixation; that being performed more quickly, with greater safety, and more affectively, for all of the aforementioned reasons than is possible with any other known art.

### BRIEF SUMMARY OF THE INVENTION

The present invention comprises a series of artificial implants, the purpose of which is to participate in, and directly cause bone fusion across an intervertebral space following the excision of a damaged disc. Such implants are structurally load bearing devices, stronger than bone, capable of withstanding the substantial forces generated within the spinal interspace. Such devices have a plurality of macro sized cells and openings, which can be loaded with fusion promoting materials, such as autogenous bone, for the purpose of materially influencing the adjacent vertebrae to form a bony bond to the implants and to each other. The implant casing may be surface textured or otherwise treated by any of a number of known technologies to achieve a "bone ingrowth surface" to further enhance the stability of the implant and to expedite the fusion.

Further, said devices are so configured and designed so as to promote their own stability within the vertebral interspace and to resist being dislodged, and furthermore, to stabilize the adjacent spinal segments.

The apparatus for preparing the vertebrae for insertion of the implant is also disclosed, such instrumentation and method allowing for the rapid and safe removal of the disc, preparation of the vertebrae, performance of the fusion, and internal stabilization of the spinal segment.

### Discussion of the Instrumentation

The concept of performing various aspects of this surgery are not entirely new. Drills are frequently placed through hollow, tubular guards to protect the adjacent soft tissues. A set of instruments developed by Ralph Cloward utilizes such a tubular drill guard on a larger scale, for the purpose of drilling into the cervical spine. However, this inventor is unaware of any set of instruments, system, or procedure designed to allow the entire surgical procedure beyond the initial exposure, to be performed blindly and with complete safety through a fixed sheath apparatus. Specific design features which combine to make this uniquely possible are as follows:

1. The availability of the specific implant.
2. The end of all the penetrating instrumentation is blunt faced.
3. All of the instruments have been stopped out at a predetermined depth to avoid overpenetration.
4. The design of the external sheath conforms to the spacial limitations of the specific surgical site.
5. The design and use of a second or inner sheath allows for the difference in size between the inside diameter of the outer sheath, and the outside diameter of the drill itself. This difference being necessary to accommodate the sum of the distraction to be produced, and the depth of the circumferential threading present on the implant.
6. A specially designed drill bit with a central shaft recess allows for the safe collection of the drilling products, which can then be removed without disturbing the outer sheath by removing the drill bit and inner sheath as a single unit.
7. A specially designed trephine for removing a core of bone slightly smaller in diameter than the internal diameter of the implant cavity itself, however of a greater length.

8. A specially designed press for forcefully compressing and injecting the long core of autogenous bone into the implant, such that it extrudes through the implant itself.

9. A specially designed driver extractor, which attaches to the implant and allows the implant to be either inserted or removed without itself dissociating from the implant, except by the deliberate disengagement of the operator.

#### Objects of the Present Invention

It is an object of the present invention to provide an improved method of performing a discectomy, a fusion, and an internal stabilization of the spine, and specifically, all three of the above simultaneously and as a single procedure.

It is another object of the present invention to provide an improved method of performing a discectomy, a fusion, and an internal stabilization of the spine, which is both quicker and safer than is possible by previous methods.

It is another object of the present invention to provide an improved method of performing a discectomy, a fusion, and an internal stabilization of the spine, to provide for improved surgical spinal implants.

It is another object of the present invention to provide an improved method of performing a discectomy, a fusion, and an internal stabilization of the spine, which provides for an improved system of surgical instrumentation to facilitate the performance of the combined discectomy, fusion, and internal spinal stabilization.

These and other objects of the present invention will be apparent from review of the following specifications and the accompanying drawings.

#### BRIEF DESCRIPTION OF THE DRAWINGS

FIG. 1 is perspective view of the driver and sheath and its orientation to a vertebral structure.

FIG. 1A is a perspective view of the driver member for the outer sheath.

FIG. 2 is a perspective view of the outer sheath being inserted into the vertebrae structure.

FIG. 3 is a perspective view of the outer sheath and inner sheath assembly, with the drill bit of the present invention.

FIG. 3A is a side sectional view of the collar and drill bit of FIG. 3.

FIG. 4 is a perspective view of a cylindrical implant and vertebrae structure.

FIG. 4A is a perspective view of one preferred embodiment of the implant.

FIG. 4B is a cross sectional view of the implant of FIG. 4A.

FIG. 4C is the driving and insertion equipment for the implant of FIG. 4A.

FIG. 4d is a side sectional view of the driver and implant between vertebrae.

FIG. 5 is a sectional view of the vertebrae structure, taken along lines 5—5 of FIG. 4.

#### DETAILED DESCRIPTION OF THE DRAWINGS

Preferred to FIG.1 a vertebrae structure comprising two vertebrae V and a disc D between the two vertebrae, is shown. A hollow tubular drill sleeve 10 has teeth 12 at its lower end. The sleeve 10 has an enlarged diameter upper portion 14.

A driver 16, shown in FIG. 1A, consists of a solid tubular member 18 and an increased diameter head 20. The external

diameter of the solid tubular member 18 is slightly smaller than the inside diameter of the hollow tubular drill sleeve 10 and has a length that is substantially shorter than the overall length of the hollow tubular drill sleeve 10.

The drill sleeve 10 is made of metal in order to be driven into the vertebrae V and be held in place by the teeth 12 of the drill sleeve 10.

Referring to FIG. 2 the drill sleeve 10 with the driver 16 installed is shown being driven into two vertebrae V on either side of a disc D by hammer H.

Referring to FIG.3 and 3a the drill assembly is shown. In FIG. 3 the drill sleeve 10 is illustrated in the two vertebrae V, straddling the disc D.

The retaining sleeve 15 has an outside diameter slightly smaller than the inside diameter of the drill sleeve 10, and a length substantially the same length as the drill sleeve 10. The retaining sleeve 15 has a collar 17 at its upper end for engaging the top of the drill sleeve 10.

The drill 22 comprises an upper portion 24, a central recessed portion 26 and a lower cutting drill portion 28. The upper 24 and lower portion 28 of the drill 22 have the same outside diameter. The drill 24 has a collar 30 attached to the upper portion 24 of the drill 22.

The outside diameter of the drill 22 is slightly smaller than the inside diameter of the retaining sleeve 15. The length of the drill, from the collar 30 to the end of the drill bit, is such that a predetermined portion of the drill bit 22 extends beyond the end 29 of the sleeve when fully inserted.

Referring to FIG. 4, a cylindrical embodiment of the present invention is shown, on implant positioned in the opening in the vertebrae and disc formed by the drill 22, and a second implant shown prior to implantation.

The cylindrical implant 50 comprises a hollow tubular member which in the preferred embodiment is made of ASTM surgically implantable material, and preferably Titanium. The cylindrical implant 50 is closed at one end 52 and open at the other end 54. The outer cylindrical implant 50 has a series of macro-sized openings 56 through the side walls of the cylindrical member 50. A series of external threads 53 are formed on the circumference of the cylindrical implant 50. The threads 53 are locking threads having a series of interjections, the ends of which are blunted and twisted so as to resist unscrewing.

The open end 54 of the cylindrical implant 50 has an internal thread 51 for receiving a complementary cap 52 which has an external thread 58 for engaging the internal threads 51 of the cylindrical member 50. The cap 52 has a hexagonal opening 59 for use with an allen wrench for tightening the cap. A driver engaged element 70 is located on the rear surface 60 of the implant. The driver engaged element 70 comprises a raised rectangular portion 63 and a central threaded opening 65, for engaging the driver apparatus, shown in FIG. 4c and FIG. 4d. The driving equipment 100 comprises a central tubular rod 102 having a thread fitting into opening 65 in the implant. An enlarged knurled knob 106 is affixed to the other end of the rod 102 for ease in turning. The central rod 102 is enclosed within a hollow tubular member 108, having a narrow lower portion 110 and an increased diameter upper portion 112. At the end of the lower portion 110 is a attachment member 114, having a generally rectangular depression 116 for complementing the driver engaging element 70 of the implant 50. A pair of handles 118 and 120 extend perpendicular from the upper position 112 of the tubular member 108 to assist in turning the driver 100.

The operation is performed in the following manner: (Example Lumbar Spine Posterior Approach) A skin incision

is made directly over the interspace to be operated on. The dissection is carried down along side of the supraspinous and interspinous ligaments preserving those structures. A semi hemi laminotomy is performed at the upper level, removing sufficient bone to allow access into the interspace. The ligament flavum is removed and then the dural sac is protected by retracting it medially along with the traversing (inferior) nerve root. The superior nerve root or the root exiting beneath the pedicle at the level above is visualized and protected.

At this time the drill sleeve **10** is placed into the spinal canal with both nerve roots directly inspected and protected. The drill sleeve **10** is imbedded by teeth **12** spanning the disc space from the midline over and it is seated into the two vertebrae **V** across the disc **D** space by using a driver **20**. Once this is done, the driver **20** is removed and a retaining sleeve **15** is placed through the drill sleeve **10**. Once seated, sleeve **10** provides absolute protection to the dural sac and nerve roots as the remaining surgery is performed entirely through this sleeve.

The inner sleeve allows for the difference between the outside diameter of the drill **22** and the outside diameter of the threads **53** of the cylindrical implant **50**. This then makes it possible to perform the entire operation through the an of the imbedded outer sleeve despite the difference in diameter between the drill and the implant.

A drill **22** is then placed in the retaining sleeve **17**. The drill **22** is of such a length that it can not penetrate more than 28 millimeters beyond the end of the drill sleeve **10**. This, of course, could be varied and made smaller for enhanced safety. However at the present time 27 to 28 millimeters seems to be safe for probably 3 standard deviations of the population. The drill **22** is attached to a power unit and the drilling takes place.

The recessed central area between the reduced portion **26**, allows for the accumulation of the debris generated by the drilling. At this time, leaving the outer sleeve firmly embedded, the retaining sleeve **17** is removed with the drill **22** as a single unit. All the vertebrae and disc debris that was generated during the drilling is contained within the recess and against the inside wall of the retaining sleeve **17** and can not come out within the spinal canal. Once the retaining sleeve **17** and drill **22** is out of the patient's operative field, all of the material so generated can be removed.

The next step is that a screw tap is put down through the drill sleeve **10**. The tap also has a collar on it that will automatically stop the tap from extending beyond 28 millimeters of penetration. The tap itself has a blunt nose that would also avoid any perforation. The tap is then removed. The tap size has deliberately been selected so that it's inner root diameter is 1.3 millimeters greater than the outside diameter of the drill **22**. This insures that the interspace will be distracted by at least that much once the implant is placed. The tap has its outside diameter 1.2 millimeters greater than its root diameter. The tap is removed and the space is now prepared to accept the cylindrical implant **50**.

The Implant **50** is prepared by utilizing the trephine, a hollow drill, to obtain a core of pure cancellous bone from the patients iliac crest of slightly smaller diameter than the internal diameter of the implant but approximately 6 mm longer. The implant **50** is place in a press like device like an ammo loader and the bone graft measuring approximately 32 millimeters is then compressed into the hollow body of the implant (26 mm) so that the bone graft fills the opening **54** and extends through the openings **56**. The cap **60** is then screwed on to the implant **50** by use of an allen driver/wrench and the device is ready for implantation.

The inserter/remover is such that it locks onto the implant, so that the implant can be moved either clockwise or counter-clockwise, screwed or unscrewed. The implant itself has for its root diameter the same exact root diameter as the tap which is already noted is already 1.13 millimeters greater than the drill and has an outside diameter, 1.5 millimeters greater than its root. This is also 0.3 millimeters greater than the threads cut by the tap so that in inserting the device it is actually cutting through previously uncut bone helping to insure that it locks in firmly. The threads on the implant **50** are locking threads so that it is easier to screw the device in than for it to be unscrewed. However, with sufficient torque it is possible to extract the device if ones so desires.

Once the implant has been seated it is able to be inserted on 28 millimeters. Since the implant **50** is only 26 millimeters in length, this virtually guarantees that the implant **50** will be recessed into the vertebral bodies more than 2 millimeters and can not protrude into the spinal canal.

Similarly, the implants shown in FIG. **4b** can be implanted. The implant if FIG. **4b** is a modified solid, having extensive channelling throughout, and has no cap. A central opening **61** permits insertion of the bone graft material into the interior of the implant.

These implants have a surface configuration such as to induce bone ingrowth through the implant, an into the wall of the vertebrae in effect inducing fusion from one vertebrae in joint to the other, thereby eventually making the implant itself superfluous as the bone would do the work.

The implant itself, because of its being made of stronger material than bone, would provide structural support to the two vertebrae while awaiting bone ingrowth. Once the bone ingrowth occurred, however, the implant would be firmly and permanently fixed in place.

As shown in FIG. **4**, more than one implant is inserted into the disc space, thereby preventing the rocking motion that would result in the difficulties referred to above in the discussion of the Bagby patent.

While the invention has been described with regards to the preferred embodiment, it is recognized that alternative embodiment may be devised which would not depart from the present invention.

What I claim is:

1. An artificial interbody spinal fusion implant for insertion across a disc space between two adjacent vertebral bodies of a human spine, said implant comprising:

opposed arcuate portions adapted for placement toward and at least in part within the adjacent vertebral bodies and having a distance therebetween defining an implant height greater than the normal height of the disc space to be fused, each of said opposed arcuate portions having at least one opening in communication with one another for permitting the growth of bone from vertebral body to adjacent vertebral body through said implant;

a protrusion extending from each of said opposed arcuate portions for engaging each of the adjacent vertebral bodies to maintain said implant within the disc space; and

said implant comprising at least in part of an implantation material other than bone.

2. The spinal fusion implant of claim **1**, wherein said protrusion comprises a thread.

3. The spinal fusion implant of claim **1**, wherein said protrusion comprises a ridge.

4. The spinal fusion implant of claim **1**, wherein each of said opposed arcuate portions comprises an interior surface,

said interior surfaces being spaced apart to define a hollow interior in communication with said at least one opening of each of said opposed arcuate portions.

5 5. The spinal fusion implant of claim 4, wherein said implant has a leading end for insertion into the spine and an opposite trailing end, at least one of said ends being open to allow access to said hollow interior.

6. The spinal fusion implant of claim 5, wherein said at least one end providing access to said hollow interior of said implant is adapted to be closed by a cap.

7. The spinal fusion implant of claim 6, wherein said implant having said at least one end providing access to said hollow interior is in combination with a cap adapted to close said hollow interior.

8. The spinal fusion implant of claim 1, further comprising a plurality of cells for retaining fusion promoting substance.

9. The spinal fusion implant of claim 1, wherein said opposed arcuate portions have a porous surface.

10. The spinal fusion implant of claim 1, wherein said implantation material is porous.

11. The spinal fusion implant of claim 1, wherein said implantation material comprises an ASTM material suitable for use as a spinal fusion implant.

12. The spinal fusion implant of claim 1, wherein said implantation material comprises titanium.

13. The spinal fusion implant of claim 1, wherein said implantation material comprises a fusion promoting substance other than bone.

14. The spinal fusion implant of claim 1, wherein said implantation material comprises a bone ingrowth material.

15. The spinal fusion implant of claim 1, wherein said implantation material intrinsically participates in the growth of bone from one of the adjacent vertebral bodies to the other of the adjacent vertebral bodies.

16. The spinal fusion implant of claim 1, wherein said implant is treated with a fusion promoting substance.

17. The spinal fusion implant of claim 1, wherein said opposed arcuate portions have a bone ingrowth surface.

18. The spinal fusion implant of claim 1, wherein said implantation material is stronger than bone.

19. The spinal fusion implant of claim 1, in combination with a source of osteogenesis.

20. The spinal fusion implant of claim 1, in combination with a bone growth promoting substance.

21. The spinal fusion implant of claim 20, in combination with bone.

22. The spinal fusion implant of claim 21, wherein said bone is compressively loaded in said implant.

23. The spinal fusion implant of claim 20, in combination with a material other than bone.

24. The spinal fusion implant of claim 20, in combination with a hydroxyapatite.

25. The spinal fusion implant of claim 1, in combination with a guard and a bone removal device, said guard for providing protected access to prepare across the spinal disc and into the adjacent vertebral bodies the implantation space, said guard having a passage through which said bone removal device passes to form the implantation space through said guard.

26. The spinal fusion implant of claim 25, wherein said implant is configured to have a height greater than the height of the implantation space and to pass through said passage of said guard.

27. The spinal fusion implant of claim 1, wherein said implant has a leading end for insertion into the spine and an opposite trailing end, said trailing end being adapted to

cooperatively engage and insertion device for inserting said implant into the spine.

28. The spinal fusion implant of claim 27, in combination with an insertion device for inserting said implant into the spine, said insertion device being adapted to cooperatively engage said trailing end of said implant.

29. An artificial interbody spinal fusion implant for insertion across a disc space between two adjacent vertebral bodies of a human spine, said implant comprising a material other than bone for use in combination with a fusion promoting substance other than bone, said implant having opposed portions adapted for placement toward the adjacent vertebral bodies and having a distance therebetween defining an implant height greater than normal height of the disc space to be fused, and said opposed portions having at least one passage passing therethrough for permitting the growth of bone from vertebral body to adjacent vertebral body through said passage.

30. The spinal fusion implant of claim 29, further comprising a protrusion extending from each of said opposed portions for engaging each of the adjacent vertebral bodies to maintain said implant within the disc space.

31. The spinal fusion implant of claim 30, wherein said protrusion comprises a thread.

32. The spinal fusion implant of claim 30, wherein said protrusion comprises a ridge.

33. The spinal fusion implant of claim 20, wherein said opposed portions are arcuate.

34. The spinal fusion implant of claim 29, wherein each of said opposed portions comprise an interior surface, said interior surfaces being spaced apart to define a hollow interior in communication with said at least one opening of each of said opposed arcuate portions.

35. The spinal fusion implant of claim 34, wherein said implant has a leading end for insertion into the spine and an opposite trailing end, at least one of said ends being open to allow access to said hollow interior.

36. The spinal fusion of claim 35, wherein said at least one end providing access to said hollow interior of said implant is adapted to be closed by a cap.

37. The spinal fusion implant of claim 36, wherein said implant having said at least one end providing access to said hollow interior is in combination with a cap adapted to close said hollow interior.

38. The spinal fusion implant of claim 29, further comprising a plurality of cells for retaining a fusion promoting substance.

39. The spinal fusion implant of claim 29, wherein said opposed portions have a porous surface.

40. The spinal fusion of claim 29, wherein said implant material is porous.

41. The spinal fusion implant of claim 29, wherein said opposed portions have a bone ingrowth surface.

42. The spinal fusion implant of claim 29, wherein said implant material intrinsically participates in the growth of bone from one of the adjacent vertebral bodies to the other of the adjacent vertebral bodies.

43. The spinal fusion implant of claim 29, wherein said implant material is stronger than bone.

44. The spinal fusion implant of claim 29, in combination with a source of osteogenesis.

45. The spinal fusion implant of claim 29, in combination with a bone growth promoting substance.

46. The spinal fusion implant of claim 45, in combination with bone.

47. The spinal fusion implant of claim 46, wherein said bone is compressively loaded in said implant.



48. The spinal fusion implant of claim 45, in combination with a material other than bone.

49. The spinal fusion implant of claim 45, in combination with a hydroxyapatite.

50. The spinal fusion implant of claim 29, in combination with a guard and a bone removal device, said guard for providing protected access to prepare across the spinal disc and into the adjacent vertebral bodies the implantation space, said guard having a passage through which said bone removal device passes to form the implantation space through said guard.

51. The spinal fusion implant of claim 50, wherein said implant is configured to have a height greater than the height of the implantation space and to pass through said passage of said guard.

52. The spinal fusion implant of claim 29, wherein said implant has a leading end for insertion into the spine and an opposite trailing end, said trailing end being adapted to cooperatively engage an insertion device for inserting said implant into the spine.

53. The spinal fusion implant of claim 52, in combination with an insertion device for inserting said plant into the spine, said insertion device being adapted to cooperatively engage said trailing end of said implant.

54. An artificial interbody spinal fusion implant for insertion across a disc space between two adjacent vertebral bodies of a human spine, said implant comprising:

opposed portions adapted for placement toward the adjacent vertebral bodies and having a distance therebetween defining an implant height greater than the normal height of the disc space to be fused, said opposed portions having a plurality of openings passing therethrough for permitting the growth of bone through said implant from vertebral body to adjacent vertebral body;

a protrusion extending from each of said opposed portions for engaging the adjacent vertebral bodies to maintain said implant within the disc space and between the adjacent vertebral bodies; and

said implant comprising at least in part of a suitable implantation material other than bone.

55. The spinal fusion implant of claim 54, wherein said protrusion comprises a thread.

56. The spinal fusion implant of claim 54, wherein said protrusion comprises a ridge.

57. The spinal fusion implant of claim 54, wherein said opposed portions are arcuate.

58. The spinal fusion implant of claim 54, further comprising extensive channeling throughout said implant.

59. The spinal fusion implant of claim 54, wherein each of said opposed portions comprises an interior surface, said interior surface being spaced apart to define a hollow interior in communication with said plurality of openings of said opposed portions.

60. The spinal fusion implant of claim 59, wherein said implant has a leading end for insertion into the spine and an opposite trailing end, at least one of said ends being open to allow access to said hollow interior.

61. The spinal fusion implant of claim 60, wherein said at least one end providing access to said hollow interior of said implant is adapted to be closed by a cap.

62. The spinal fusion implant of claim 61, wherein said implant having said at least one end providing access to said

hollow interior is in combination with a cap adapted to close said hollow interior.

63. The spinal fusion implant of claim 54, further comprising a plurality of cells for retaining a fusion promoting substance.

64. The spinal fusion implant of claim 54, wherein said opposed portions are porous.

65. The spinal fusion implant of claim 54, wherein said implantation material is porous.

66. The spinal fusion implant of claim 54, wherein said implantation material comprises an ASTM material suitable for use as a spinal fusion implant.

67. The spinal fusion implant of claim 54, wherein said implantation material comprises titanium.

68. The spinal fusion implant of claim 54, wherein said implantation material comprises a fusion promoting substance.

69. The spinal fusion implant of claim 54, wherein said implantation material comprises a bone ingrowth material.

70. The spinal fusion implant of claim 54, wherein said material intrinsically participates in the growth of bone from one of the adjacent vertebral bodies.

71. The spinal fusion implant of claim 54, wherein said implant is treated with a fusion promoting substance.

72. The spinal fusion implant of claim 54, wherein said implantation material is stronger than bone.

73. The spinal fusion implant of claim 54, in combination with a source of osteogenesis.

74. The spinal fusion implant of claim 54, in combination with a bone growth promoting substance.

75. The spinal fusion implant of claim 74, in combination with bone.

76. The spinal fusion implant of claim 75, wherein said bone is compressively loaded in said implant.

77. The spinal fusion implant of claim 74, in combination with a material other than bone.

78. The spinal fusion implant of claim 74, in combination with a hydroxyapatite.

79. The spinal fusion implant of claim 54, in combination with a guard and a bone removal device, said guard for providing protected access to prepare across the spinal disc and into the adjacent vertebral bodies the implantation space, said guard having a passage through which said bone removal device passes to form the implantation space through said guard.

80. The spinal fusion implant of claim 79, wherein said implant is configured to have a height greater than the height of the implantation space and to pass through said passage of said guard.

81. The spinal fusion implant of claim 54, wherein said implant has a leading end for insertion into the spine and an opposite trailing end, said trailing end being adapted to cooperatively engage an insertion device for inserting said implant into the spine.

82. The spinal fusion implant of claim 81, wherein said implant has a leading end for insertion into the spine, said insertion device being adapted to cooperatively engage said trailing end of said implant.

83. An artificial interbody spinal fusion implant for insertion across a disc space between two adjacent vertebral bodies of a human spine, said implant comprising:

opposed arcuate portions adapted for placement toward and at least in part within the adjacent vertebral bodies and having a distance therebetween defining an implant height greater than the normal height of the disc space to be fused, each of said opposed arcuate portions having at least one opening communicating with one another for permitting the growth of bone from vertebral body to adjacent vertebral body through said implant;

a thread portion formed on the exterior of each of said opposed arcuate portions for engaging the adjacent vertebral bodies to maintain said implant within the disc space; and

said implant comprising at least in part of a suitable implantation material other than bone.

**84.** The spinal fusion implant of claim **83**, wherein said thread portion is an interrupted thread.

**85.** The spinal fusion implant of claim **83**, wherein said thread portion on each of said arcuate portions form a single helix.

**86.** The spinal fusion implant of claim **83**, wherein each of said opposed arcuate portions comprises an interior surface, said interior surfaces being spaced apart to define a hollow interior in communication with said at least one opening of each of said opposed arcuate portions.

**87.** The spinal fusion implant of claim **83**, in combination with a fusion promoting substance within said hollow interior.

**88.** The spinal fusion implant of claim **86**, said implant having a leading end for insertion into the spine and an opposite trailing end, at least one of said ends being open to allow access to said hollow interior.

**89.** The spinal fusion implant of claim **88**, wherein said at least one end providing access to said hollow interior of said implant is adapted to be closed by a cap.

**90.** The spinal fusion implant of claim **89**, wherein said implant having said at least one end providing access to said hollow interior is in combination with a cap adapted to close said hollow interior.

**91.** The spinal fusion implant of claim **83**, further comprising a plurality of cells for retaining fusion promoting substance.

**92.** The spinal fusion implant of claim **83**, wherein said opposed arcuate portions have a porous surface.

**93.** The spinal fusion implant of claim **83**, wherein said implantation material is porous.

**94.** The spinal fusion implant of claim **83**, wherein said implantation material comprises an ASTM material suitable for use as a spinal fusion implant.

**95.** The spinal fusion implant of claim **83**, wherein said implantation material comprises titanium.

**96.** The spinal fusion implant of claim **83**, wherein said implantation material comprises a fusion promoting substance other than bone.

**97.** The spinal fusion implant of claim **83**, wherein said implantation material comprises a bone ingrowth material.

**98.** The spinal fusion implant of claim **83**, wherein said implantation material intrinsically participates in the growth of bone from one of the adjacent vertebral bodies to the other of the adjacent vertebral bodies.

**99.** The spinal fusion implant of claim **83**, wherein said implant is treated with a fusion promoting substance.

**100.** The spinal fusion implant of claim **83**, wherein said opposed arcuate portions have a bone ingrowth surface.

**101.** The spinal fusion implant of claim **83**, wherein said implantation material is stronger than bone.

**102.** The spinal fusion implant of claim **83**, in combination with a source of osteogenesis.

**103.** The spinal fusion implant of claim **83**, in combination with a bone growth promoting substance.

**104.** The spinal fusion implant of claim **103**, in combination with bone.

**105.** The spinal fusion implant of claim **104**, wherein said bone is compressively loaded in said implant.

**106.** The spinal fusion implant of claim **103**, in combination with a material other than bone.

**107.** The spinal fusion implant of claim **103**, in combination with hydroxyapatite.

**108.** The spinal fusion implant of claim **83**, in combination with a guard and a bone removal device, said guard for providing protected access to prepare across the spinal disc and into the adjacent vertebral bodies the implantation space, said guard having a passage through which said bone removal device passes to form the implantation space through said guard.

**109.** The spinal fusion implant of claim **108**, wherein said implant is configured to have a height greater than the height of the implantation space and to pass through said passage of said guard.

**110.** The spinal fusion implant of claim **82**, wherein said implant has a leading end for insertion into the spine and an opposite trailing end, said trailing end being adapted to cooperatively engage an insertion device for inserting said implant into the spine.

**111.** The spinal fusion implant of claim **110**, in combination with an insertion device for inserting said implant into the spine, said insertion device being adapted to cooperatively engage said trailing end of said implant.

**112.** An artificial interbody spinal fusion implant for insertion across a disc space between two adjacent vertebral bodies of a human spine, said implant comprising:

opposed portions adapted for placement toward and the adjacent vertebral bodies and having a distance therebetween defining an implant height greater than the normal height of the restored disc space to be fused, said opposed portions each having at least one opening passing therethrough for permitting the growth of bone through said implant from vertebral body to adjacent vertebral body;

a thread made of a surgically implantable metal extending from each of said opposed portions for engaging the adjacent vertebral bodies to maintain said implant within the disc space and between the adjacent vertebral bodies; and

said implant comprising at least in part of a suitable implantation material other than bone.

**113.** The spinal fusion implant of claim **112**, wherein each of said opposed portions comprises an interior surface, said interior surfaces being spaced apart to define a hollow interior in communication with said at least one opening of each of said opposed portions.

**114.** The spinal fusion implant of claim **113**, in combination with a fusion promoting substance within said hollow interior.

**115.** The spinal fusion implant of claim **113**, said implant having a leading end for insertion into the spine and an opposite trailing end, at least one of said ends being open to allow access to said hollow interior.

**116.** The spinal fusion implant of claim **115**, wherein said at least one end providing access to said hollow interior of said implant is adapted to be closed by a cap.

**117.** The spinal fusion implant of claim **116**, wherein said implant having said at least one end providing access to said hollow interior is in combination with a cap adapted to close said hollow interior.

**118.** The spinal fusion implant of claim **112**, further comprising a plurality of cells for retaining fusion promoting substance.

**119.** The spinal fusion implant of claim **112**, wherein said opposed portions have a porous surface.

**120.** The spinal fusion implant of claim **112**, wherein said implantation material is porous.

**121.** The spinal fusion implant of claim **112**, wherein said implantation material comprises an ASTM material suitable for use as a spinal fusion implant.

**122.** The spinal fusion implant of claim **112**, wherein said implantation material comprises titanium.

**123.** The spinal fusion implant of claim **112**, wherein said implantation material comprises a fusion promoting substance other than bone.

**124.** The spinal fusion implant of claim **112**, wherein said implantation material comprises a bone ingrowth material.

**125.** The spinal fusion implant of claim **112**, wherein said implantation material intrinsically participates in the growth of bone from one of the adjacent vertebral bodies to the other of the adjacent vertebral bodies.

**126.** The spinal fusion implant of claim **112**, wherein said implant is treated with a fusion promoting substance.

**127.** The spinal fusion implant of claim **112**, wherein said opposed portions have a bone ingrowth surface.

**128.** The spinal fusion implant of claim **112**, wherein said implantation material is stronger than bone.

**129.** The spinal fusion implant of claim **112**, in combination with a source of osteogenesis.

**130.** The spinal fusion implant of claim **112**, in combination with a bone growth promoting substance.

**131.** The spinal fusion implant of claim **116**, in combination with bone.

**132.** The spinal fusion implant of claim **117**, wherein said bone is compressively loaded in said implant.

**133.** The spinal fusion implant of claim **130**, in combination with a material other than bone.

**134.** The spinal fusion implant of claim **130**, in combination with hydroxyapatite.

**135.** The spinal fusion implant of claim **112**, in combination with a guard and a bone removal device, said guard for providing protected access to prepare across the spinal disc and into the adjacent vertebral bodies the implantation space, said guard having a passage through which said bone removal device passes to form the implantation space through said guard.

**136.** The spinal fusion implant of claim **135**, wherein said implant is configured to have a height greater than the height of the implantation space and to pass through said passage of said guard.

**137.** The spinal fusion implant of claim **112**, wherein said implant has a leading end for insertion into the spine and an opposite trailing end, said trailing end being adapted to cooperatively engage an insertion device for inserting said implant into the spine.

**138.** The spinal fusion implant of claim **137**, in combination with an insertion device for inserting said implant into said spine, said insertion device being adapted to cooperatively engage said trailing end of said implant.

**139.** An artificial interbody spinal fusion implant for insertion across a disc space between two adjacent vertebral bodies of a human spine, said implant comprising:

opposed arcuate portions adapted for placement toward and at least in part within the adjacent vertebral bodies and having a distance therebetween defining an implant height greater than the normal height of the disc space to be fused, each of said opposed arcuate portions having at least one opening communicating with one another for permitting the growth of bone from vertebral body to adjacent vertebral body through said implant;

a series of surface projections formed on the exterior of each of said opposed arcuate portions for penetrably engaging the adjacent vertebral bodies to maintain said implant within the disc space; and

said implant comprising at least in part of a suitable implantation material other than bone.

**140.** The spinal fusion implant of claim **139**, wherein each of said series of surface projections comprises a ridge.

**141.** The spinal fusion implant of claim **139**, wherein each of said opposed arcuate portions comprises an interior surface, said interior surfaces being spaced apart to define a hollow interior in communication with said at least one opening of each of said opposed arcuate portions.

**142.** The spinal fusion implant of claim **141**, in combination with a fusion promoting substances within said hollow interior.

**143.** The spinal fusion implant of claim **141**, said implant having a leading end for insertion into the spine and an opposite trailing end, at least one of said ends being open to allow access to said hollow interior.

**144.** The spinal fusion implant of claim **143**, wherein said at least one end providing access to said hollow interior of said implant is adapted to be closed by a cap.

**145.** The spinal fusion implant of claim **144**, wherein said implant having said at least one end providing access to said hollow interior is in combination with a cap adapted to close said hollow interior.

**146.** The spinal fusion implant of claim **139**, further comprising a plurality of cells for retaining fusion promoting substance.

**147.** The spinal fusion implant of claim **139**, wherein said opposed arcuate portions have a porous surface.

**148.** The spinal fusion implant of claim **139**, wherein said implantation material is porous.

**149.** The spinal fusion implant of claim **139**, wherein said implantation material comprises an ASTM material suitable for use as a spinal fusion implant.

**150.** The spinal fusion implant of claim **139**, wherein said implantation material comprises titanium.

**151.** The spinal fusion implant of claim **139**, wherein said implantation material comprises a fusion promoting substance other than bone.

19

152. The spinal fusion implant of claim 139, wherein said implantation material comprises bone ingrowth material.

153. The spinal fusion implant of claim 139, wherein said implantation material intrinsically participates in the growth of bone from one of the adjacent vertebral bodies to the other of the adjacent vertebral bodies.

154. The spinal fusion implant of claim 139, wherein said implant is treated with a fusion promoting substance.

155. The spinal fusion implant of claim 139, wherein said opposed arcuate portions have a bone ingrowth surface.

156. The spinal fusion implant of claim 139, wherein said implant material is stronger than bone.

157. The spinal fusion implant of claim 139, in combination with a source of osteogenesis.

158. The spinal fusion implant of claim 139, in combination with a bone growth promoting substance.

159. The spinal fusion implant of claim 158, in combination with bone.

160. The spinal fusion implant of claim 139, wherein said bone is compressively loaded in said implant.

161. The spinal fusion implant of claim 158, in combination with a material other than bone.

162. The spinal fusion implant of claim 158, in combination with hydroxyapatite.

20

163. The spinal fusion implant of claim 139, in combination with a guard and a bone removal device, said guard for providing protected access to prepare across the spinal disc and into the adjacent vertebral bodies the implantation space, said guard having a passage through which said bone removal device passes to form the implantation space through said guard.

164. The spinal fusion implant of claim 163, wherein said implant is configured to have a height greater than the height of the implantation space and to pass through said passage of said guard.

165. The spinal fusion implant of claim 139, wherein said implant has a leading end for insertion into the spine and an opposite trailing end, said trailing end being adapted to cooperatively engage an insertion device for inserting said implant into the spine.

166. The spinal fusion implant of claim 165, in combination with an insertion device for inserting said implant into the spine, said insertion device being adapted to cooperatively engage said trailing end of said implant.

\* \* \* \* \*

UNITED STATES PATENT AND TRADEMARK OFFICE  
**CERTIFICATE OF CORRECTION**

PATENT NO. : 6,264,656 B1  
DATED : July 24, 2001  
INVENTOR(S) : Gary Karlin Michelson

Page 1 of 2

It is certified that error appears in the above-identified patent and that said Letters Patent is hereby corrected as shown below:

Title page,

**ABSTRACT,**

Line 1, change "place" to -- placed --;

Line 3, thereof, change "insuing" to -- ensuing --.

**References Cited, U.S. PATENT DOCUMENTS,**

Change "4,847,327" to -- 4,848,327 --.

Columns 11 and 12, claim 27,

Line 4, change "and" to -- an --;

Column 12, claim 33,

Line 1, change "20" to -- 29 --;

Column 13, claim 53,

Line 2, change "plant" to -- implant --;

Column 14, claim 70,

Line 3, after "bodies" insert -- to the other of the adjacent vertebral bodies --;

Column 14, claim 81,

Line 4, change "inerstion" to -- insertion --;

Column 14, claim 82,

Line 1, change "wherein said" to -- in combination with an --;

Line 2, change "implant has a leading end for insertion" to -- insertion device for inserting said implant --;

Column 15, claim 87,

Line 1, change "83" to -- 86 --;

Column 16, claim 110,

Line 1, change "82" to -- 83 --;

Column 16, claim 111,

Line 4, change "iomplant" to -- implant --;

UNITED STATES PATENT AND TRADEMARK OFFICE  
**CERTIFICATE OF CORRECTION**

PATENT NO. : 6,264,656 B1  
DATED : July 24, 2001  
INVENTOR(S) : Gary Karlin Michelson

Page 2 of 2

It is certified that error appears in the above-identified patent and that said Letters Patent is hereby corrected as shown below:

Column 17, claim 132,  
Line 1, change "117" to -- 131 --;

Column 18, claim 138,  
Line 2, change "a" to -- an --;  
Line 3, change "said" (first occurrence) to -- the --;

Column 18, claim 139,  
Line 4, delete "toward";

Column 18, claim 139,  
Line 5, delete "and";

Column 19, claim 160,  
Line 1, change "139" to -- 159 --;


Column 20, claim 165,  
Line 3, change "oppoiste" to -- opposite --;  
Line 4, change "siad" to -- said --;

Column 20, claim 166,  
Line 4, change "engge" to -- engage --.

Signed and Sealed this

Fifth Day of March, 2002

Attest:



Attesting Officer

JAMES E. ROGAN  
Director of the United States Patent and Trademark Office