



US006139550A

United States Patent [19]

[11] Patent Number: **6,139,550**

Michelson

[45] Date of Patent: **Oct. 31, 2000**

[54] SKELETAL PLATING SYSTEM

[76] Inventor: **Gary K. Michelson**, 438 Sherman Canal, Venice, Calif. 90291

[21] Appl. No.: **09/022,344**

[22] Filed: **Feb. 11, 1998**

Related U.S. Application Data

[60] Provisional application No. 60/037,139, Feb. 11, 1997.

[51] Int. Cl.⁷ **A61B 17/80**

[52] U.S. Cl. **606/69**; 606/61; 606/70; 606/71; 606/73

[58] Field of Search 606/60, 61, 69, 606/70, 71, 72, 73

[56] References Cited

U.S. PATENT DOCUMENTS

Re. 31,628	7/1984	Allgower et al. .	
D. 402,032	12/1998	Stone .	
D. 406,646	3/1999	Stone .	
4,493,317	1/1985	Klaue .	
4,651,724	3/1987	Berentey et al. .	
4,959,065	9/1990	Arnett et al. .	
5,041,113	8/1991	Biedermann et al. .	
5,053,036	10/1991	Perren et al. .	
5,127,912	7/1992	Ray et al.	606/61
5,147,361	9/1992	Ojima et al. .	
5,180,381	1/1993	Aust et al.	606/61
5,190,544	3/1993	Chapman et al. .	
5,300,073	4/1994	Ray et al.	606/61
5,364,399	11/1994	Lowery et al.	606/69
5,380,328	1/1995	Morgan .	
5,423,826	6/1995	Coates et al.	606/96
5,492,442	2/1996	Lasner .	
5,531,746	7/1996	Errico et al. .	
5,549,612	8/1996	Yapp et al.	606/69
5,558,674	9/1996	Heggeness et al. .	
5,601,553	2/1997	Trebing et al. .	
5,607,426	3/1997	Ralph et al. .	
5,676,666	10/1997	Oxland et al. .	
5,876,446	3/1999	Agrawal et al. .	
5,954,722	9/1999	Bono .	

OTHER PUBLICATIONS

Advertisement for Codman Anterior Cervical Plate System by Codman, Johnson & Johnson, Professional, Inc. (No Date).

AESCULAP Scientific Information Booklet, Anterior Cervical Fusion and Interbody Stabilization with the Trapezial Osteosynthetic Plate Technique by Wolfhard Casper, Feb. 1986.

Article from Plastic and Reconstructive Surgery, Comparison of Compression and Torque Measurements of Self-Tapping and Pretapped Screws by John H. Phillips, M.D., F.R.C.S. (C), and Berton A. Rahn, M.D., D.D.S., Mar. 1989. Article from The Journal of Prosthetic Dentistry, Bone-implant interface structures after nontapping and tapping insertion of screw-type titanium alloy endosseous implants by Keiichi Satomi, D.D.S., Yasumasa Akagawa, D.D.S., Ph.D., Hiromasa Nikai, D.D.S., Ph.D., and Hiroshima Tsuru, D.D.S., Ph.D., Mar. 1988, vol. 59, No. 3.

Brochure by SYNTHES Spine for Cervical Spine Locking Plate, 1991.

Orion Brochure, Anterior Cervical Plate System, Surgical Technique, as described by Gary L. Lowery, M.D., Ph.D., 1996.

Codman Brochure, Anterior Cervical Plate System, Sep. 1995.

Primary Examiner—Michael Buiz

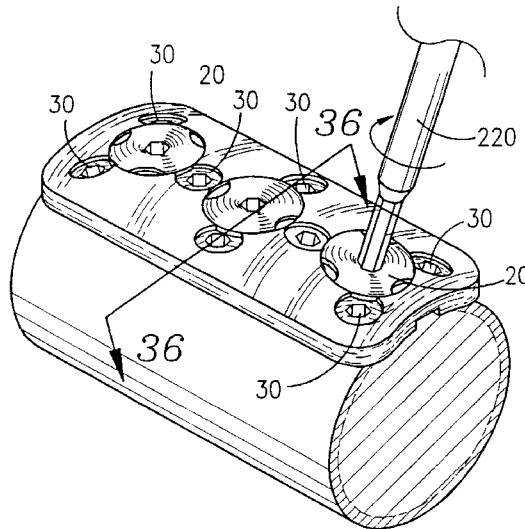
Assistant Examiner—David O. Reip

Attorney, Agent, or Firm—Martin & Ferraro, LLP

[57] ABSTRACT

The present invention is directed to (1) a plating system having multiple and single locking mechanisms for general skeletal use other than in the anterior cervical spine; (2) an orthopedic plating system that permits a pair of bone screws to be inserted into a bone in a crossed over orientation and locked to the plate; (3) a segmentable plating system which can be made to a selected length by the surgeon; and (4) a combination screw-lock-plating system for allowing and/or causing intersegmental compression of bone portions.

25 Claims, 30 Drawing Sheets



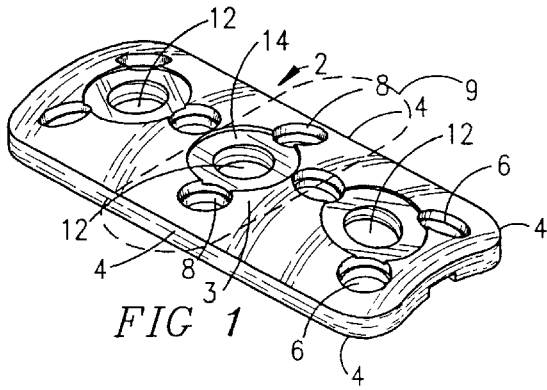


FIG 1

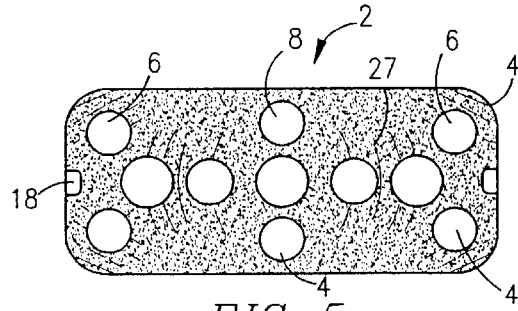


FIG 5

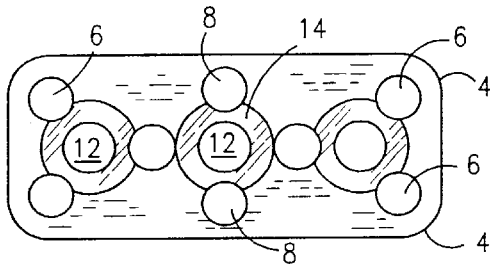


FIG 2

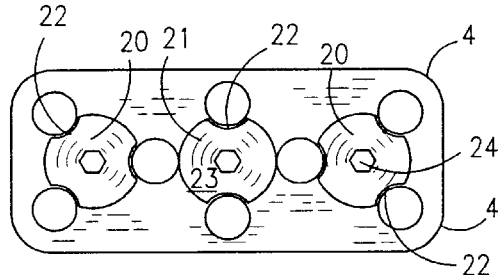


FIG 6

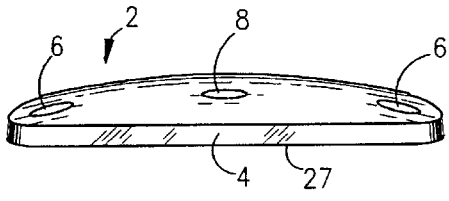


FIG 3

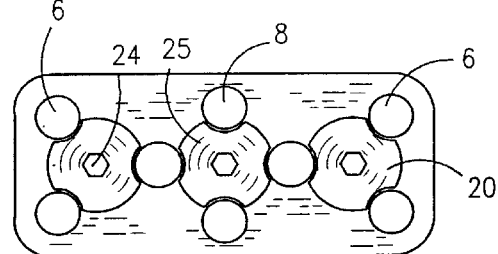


FIG 7

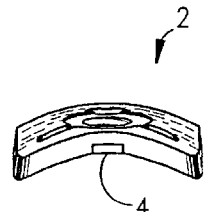


FIG 4

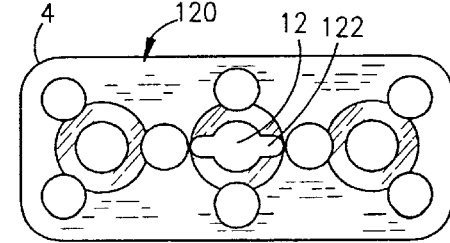


FIG 8

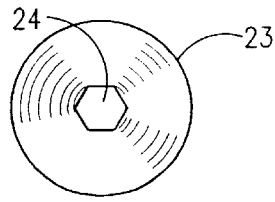


FIG 9

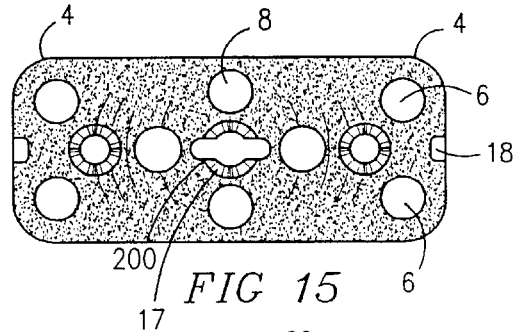


FIG 15

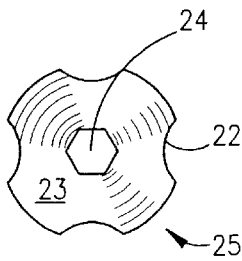


FIG 10

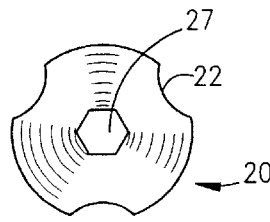


FIG 11

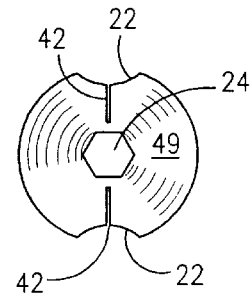


FIG 16

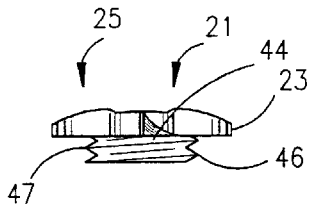


FIG 12

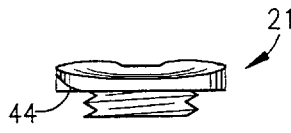


FIG 13

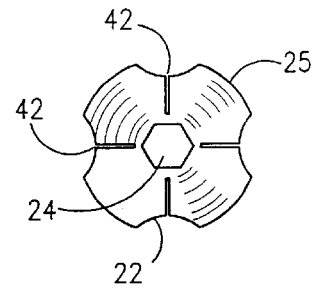


FIG 17

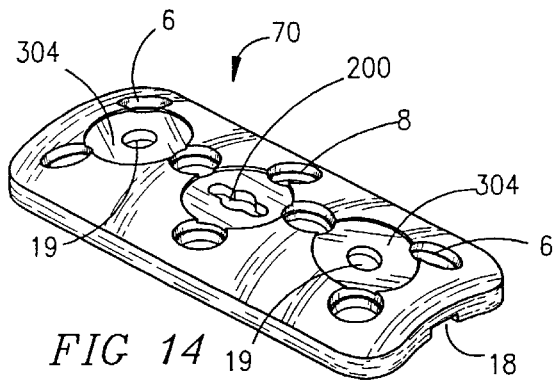


FIG 14

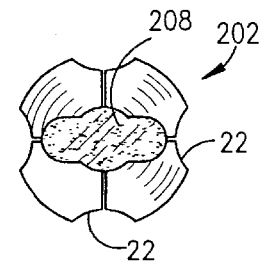


FIG 18

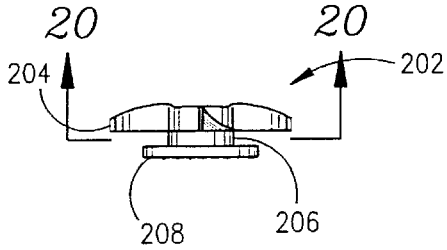


FIG 19

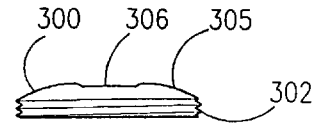


FIG 23

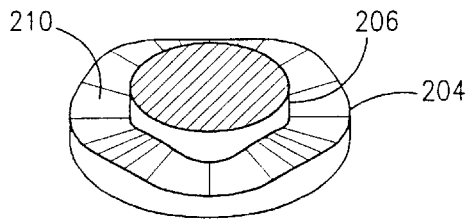


FIG 20

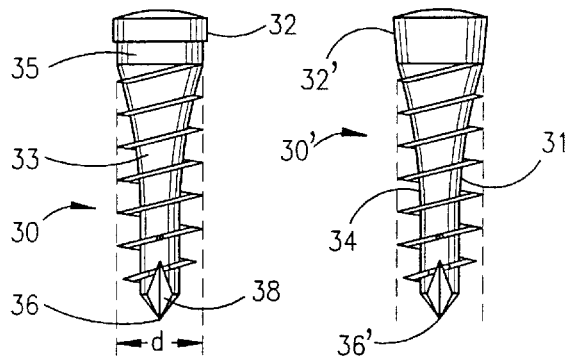


FIG 24

FIG 25

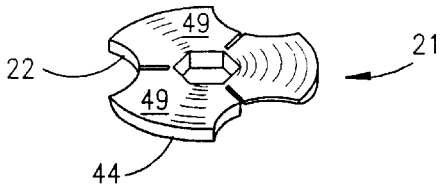


FIG 21

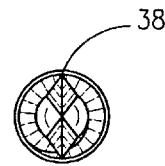


FIG 26

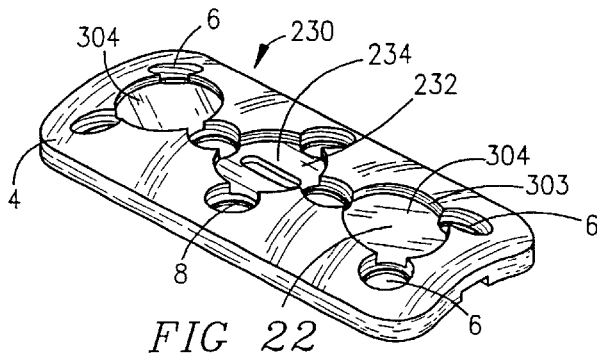


FIG 22

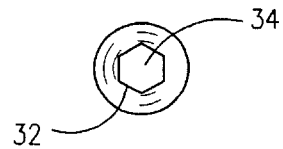


FIG 27

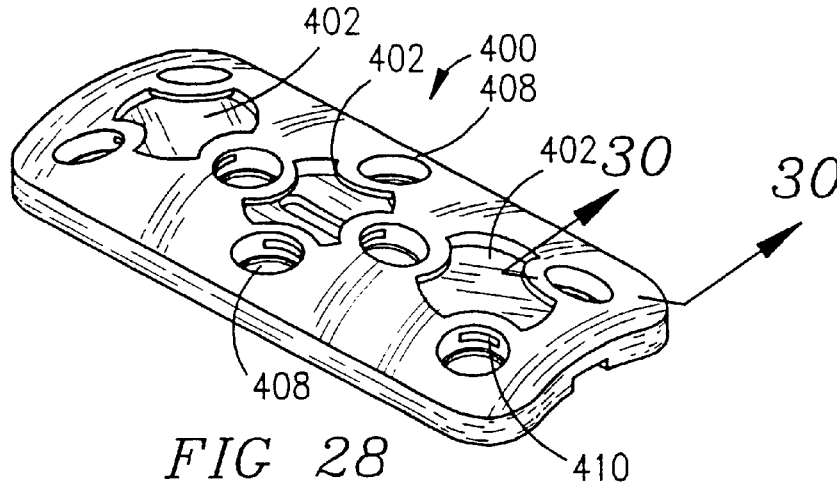


FIG 28

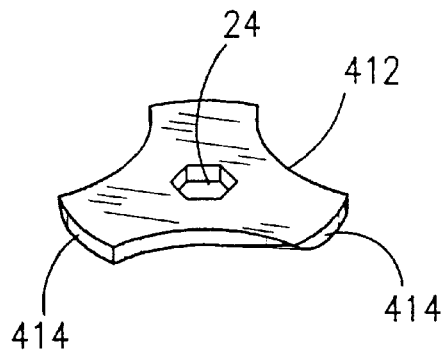


FIG 29

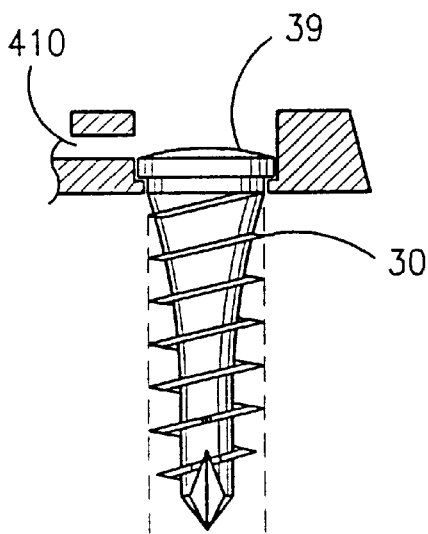


FIG 30A

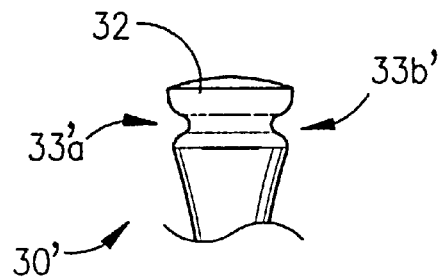
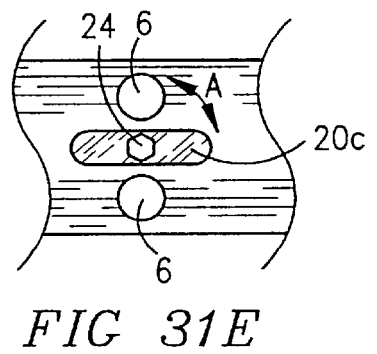
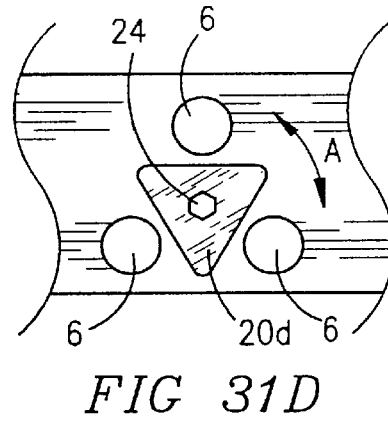
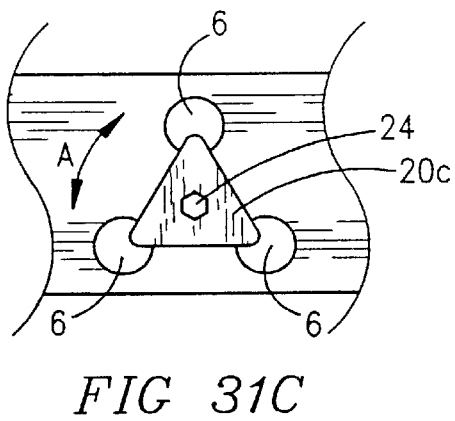
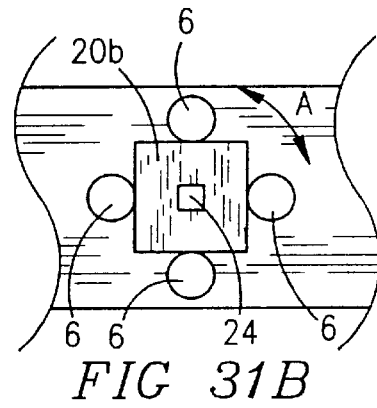
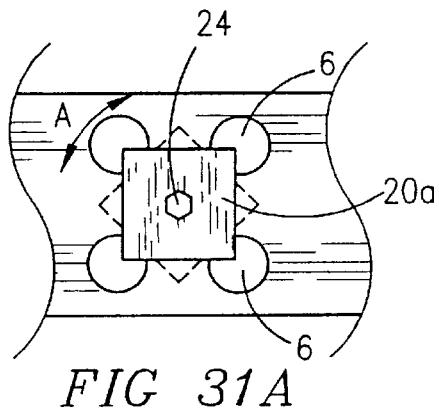


FIG 30B



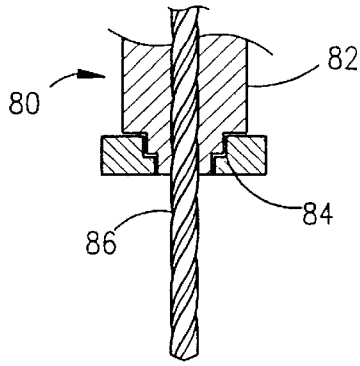


FIG 32B

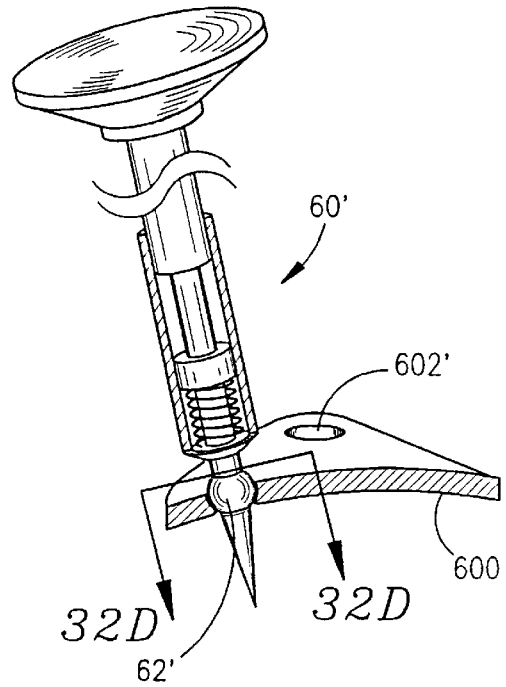


FIG 32C

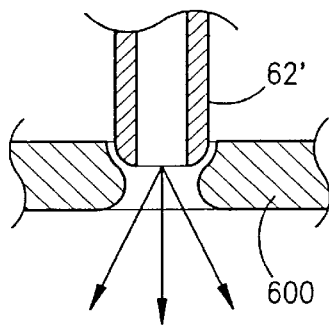


FIG 32D

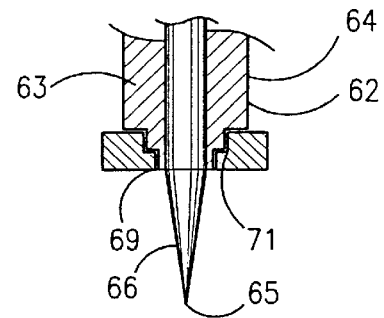


FIG 32A

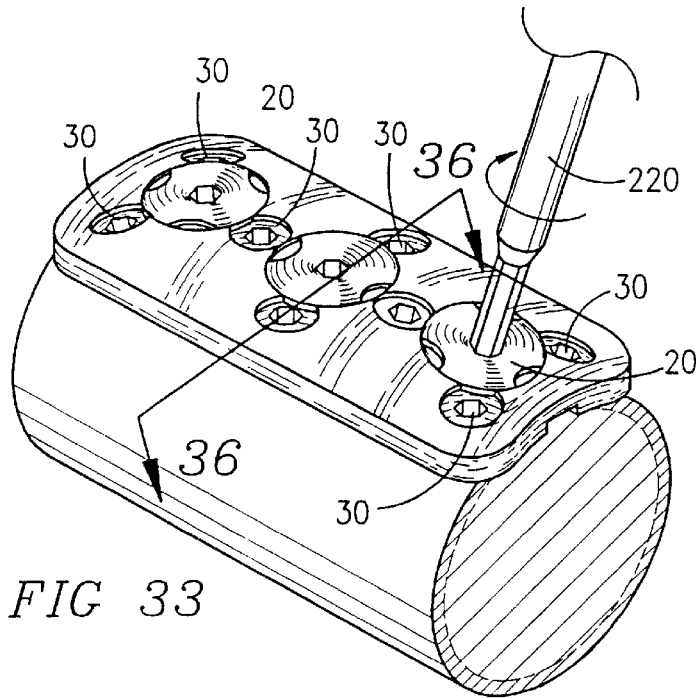


FIG 33

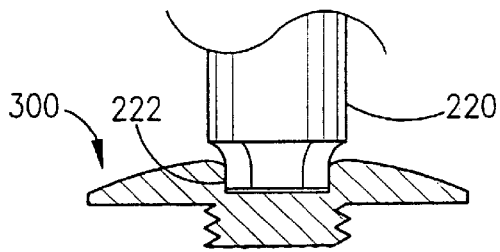


FIG 34A

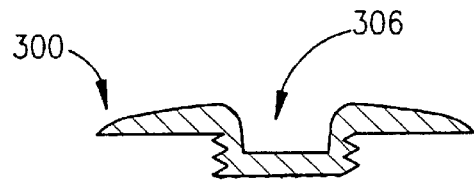


FIG 34B

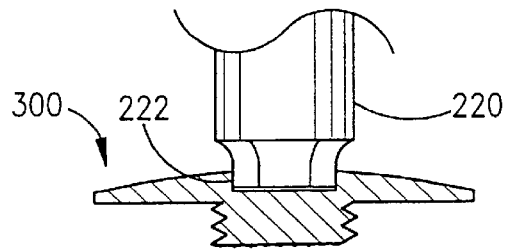


FIG 35

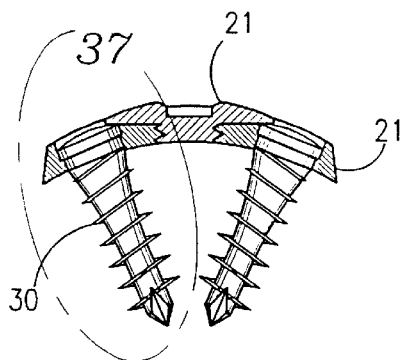


FIG 36

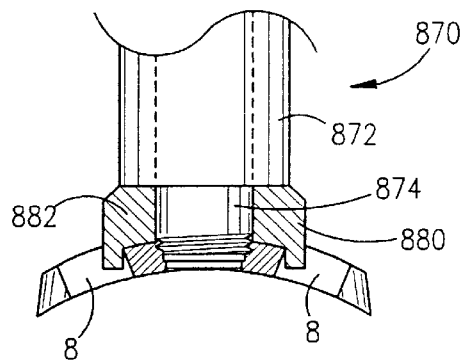


FIG 38

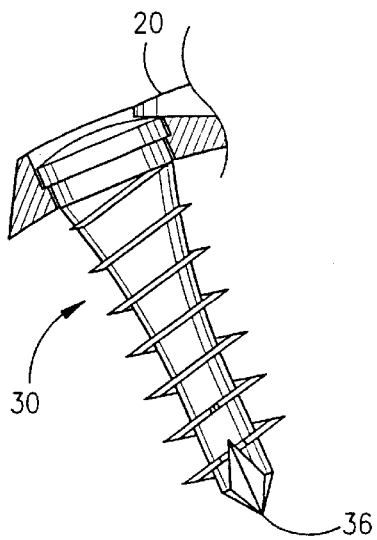


FIG 37

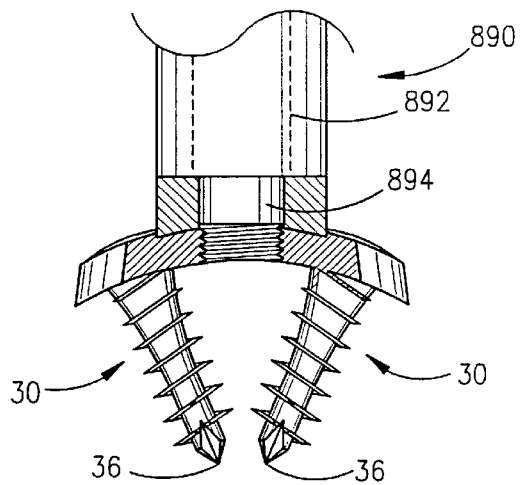


FIG 39A

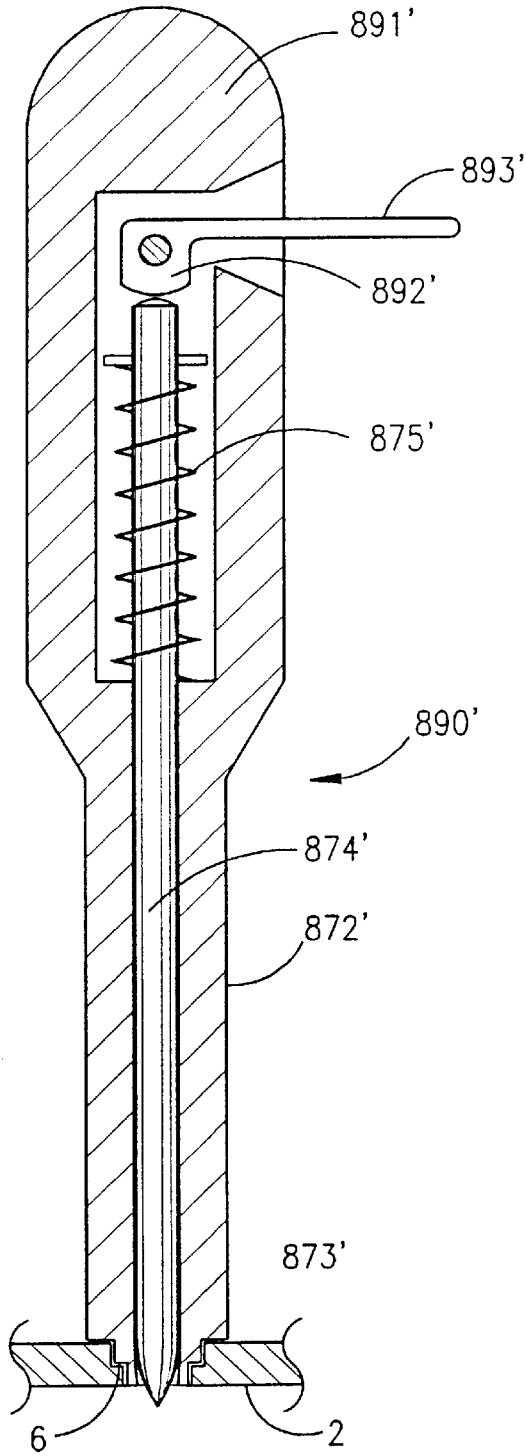


FIG 39B

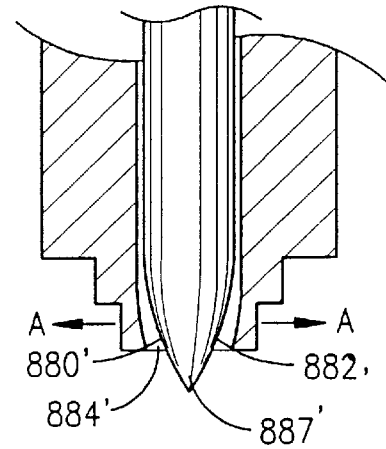


FIG 39D

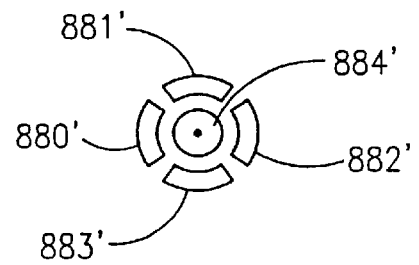
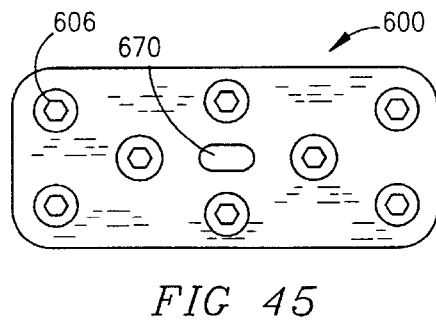
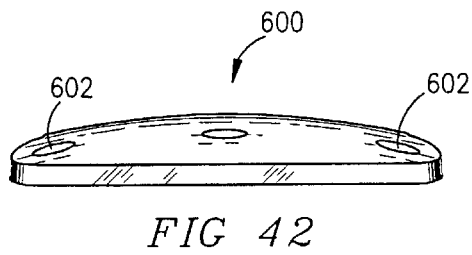
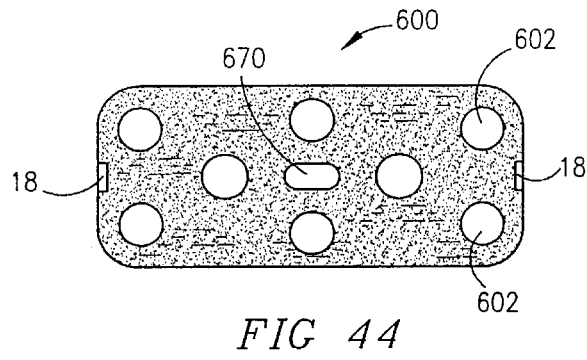
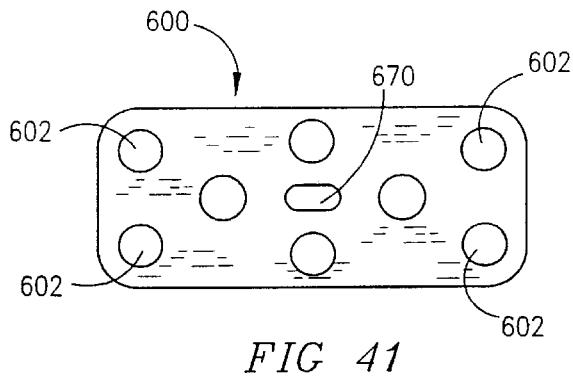
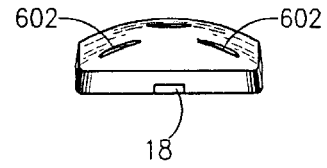
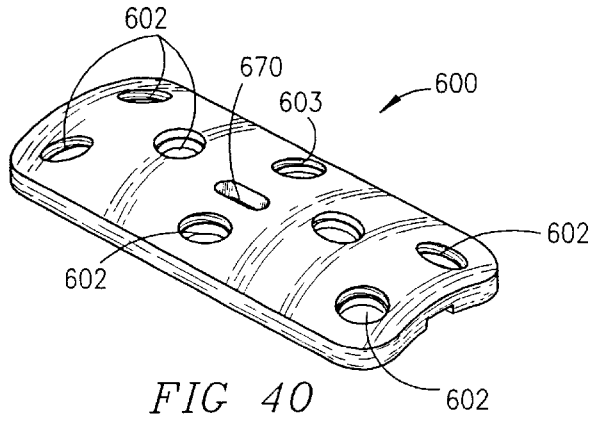


FIG 39C



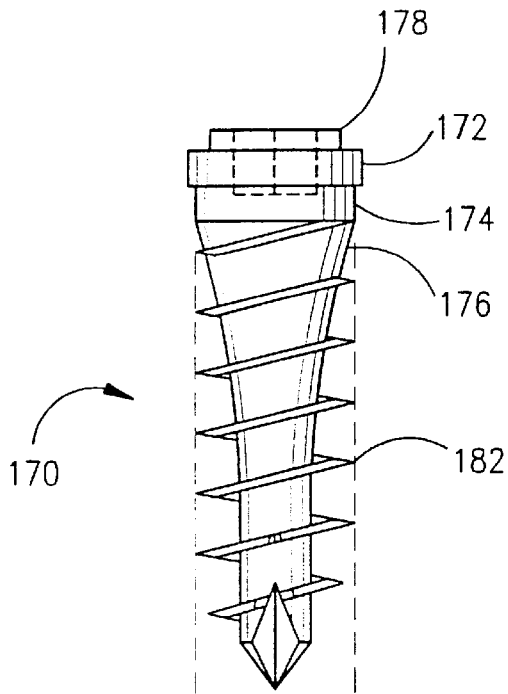


FIG 46

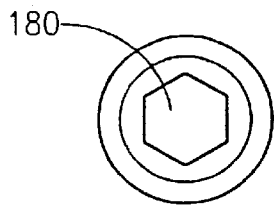


FIG 47

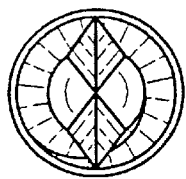


FIG 48

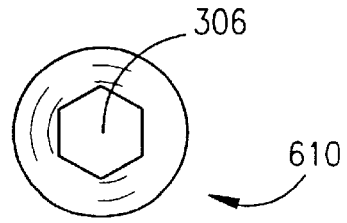


FIG 49

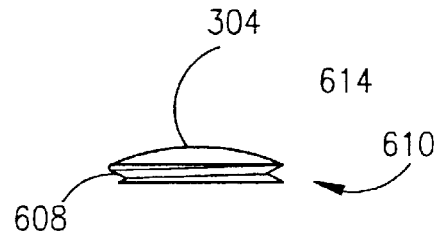


FIG 50

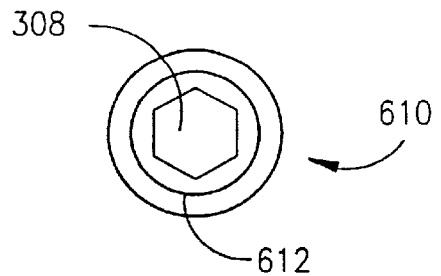


FIG 51

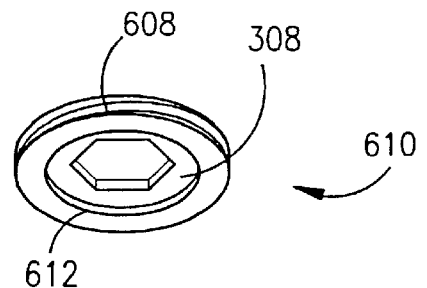


FIG 52

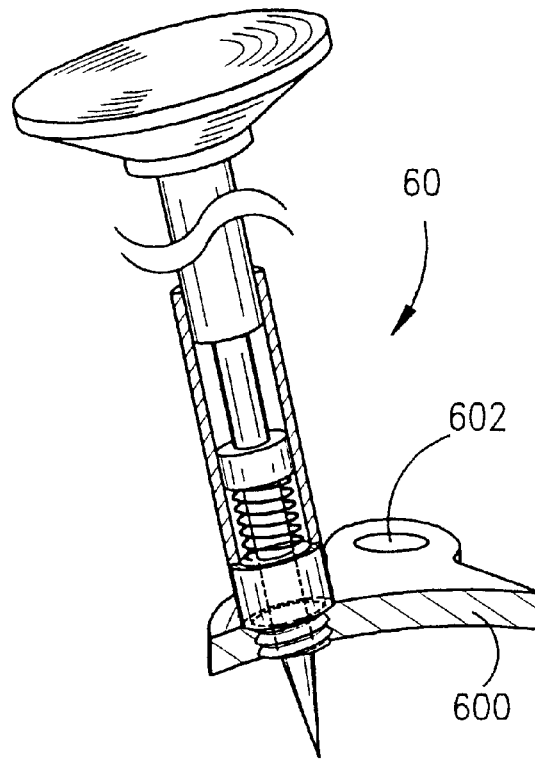


FIG 53

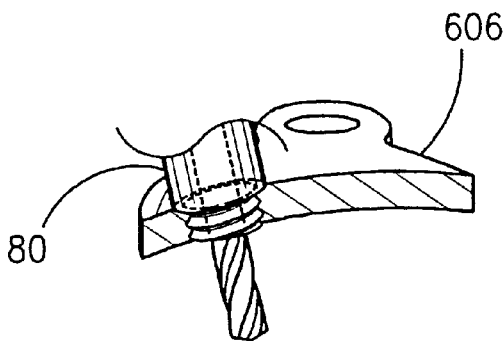


FIG 54

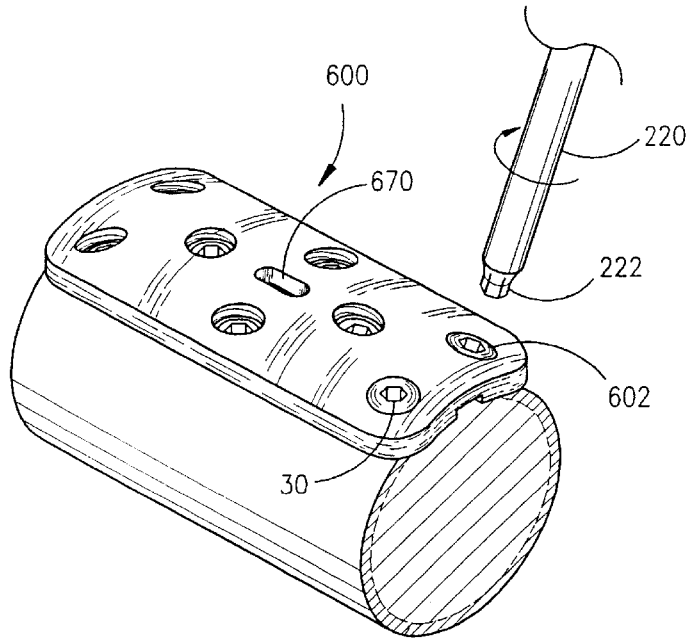


FIG 55

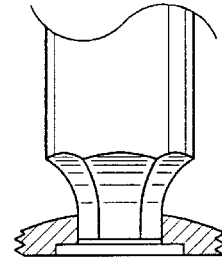


FIG 56

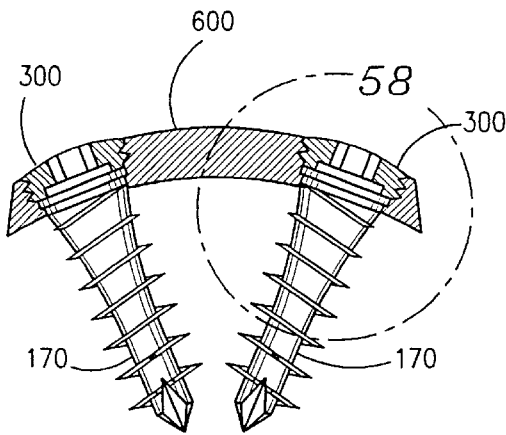


FIG 57

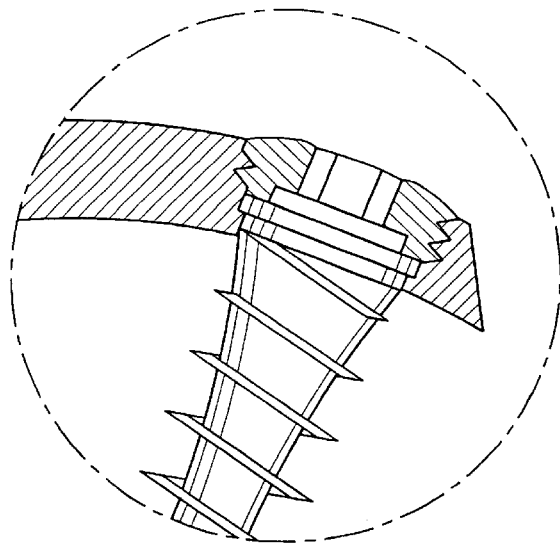


FIG 58

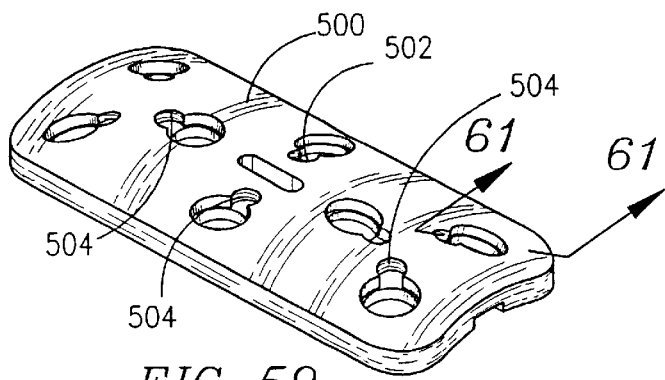


FIG 59

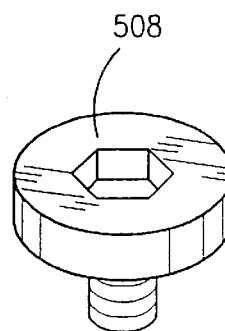


FIG 62

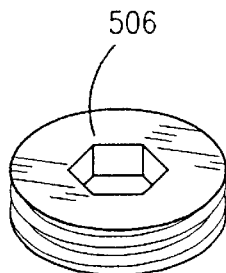


FIG 60

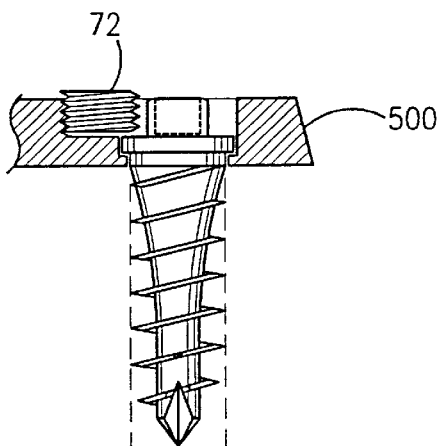


FIG 61

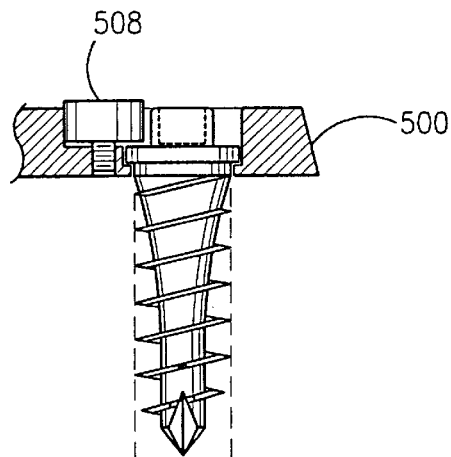


FIG 63

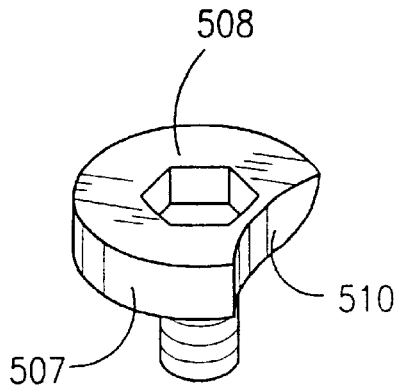


FIG 64

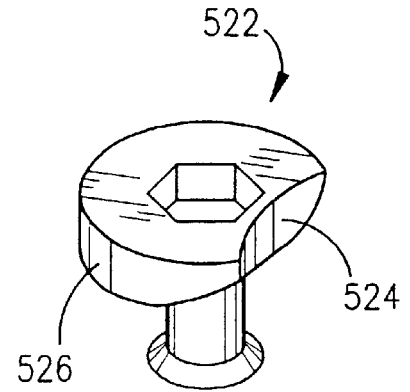


FIG 66

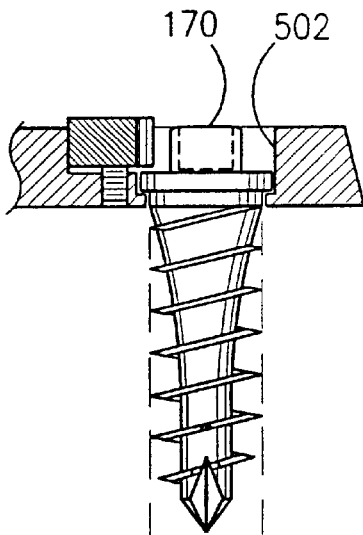


FIG 65

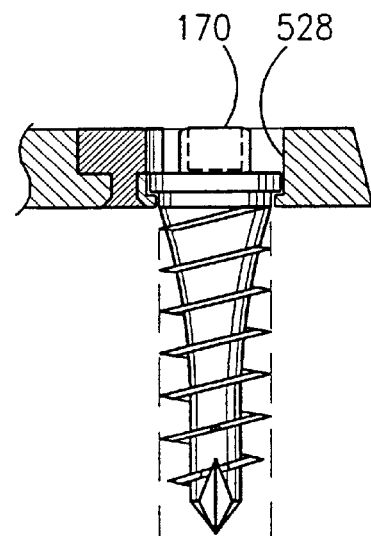


FIG 67

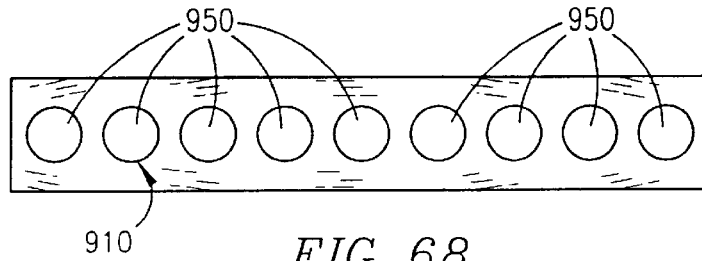


FIG 68

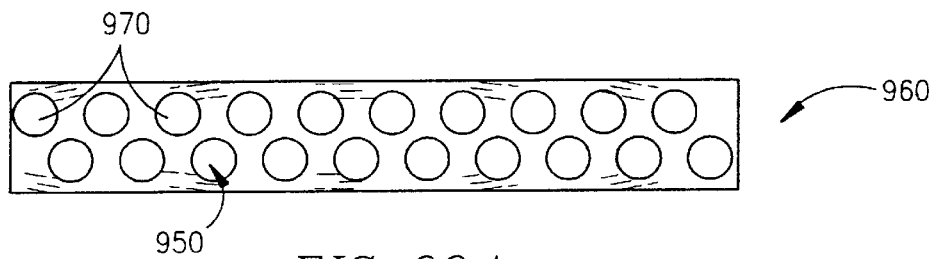


FIG 69A

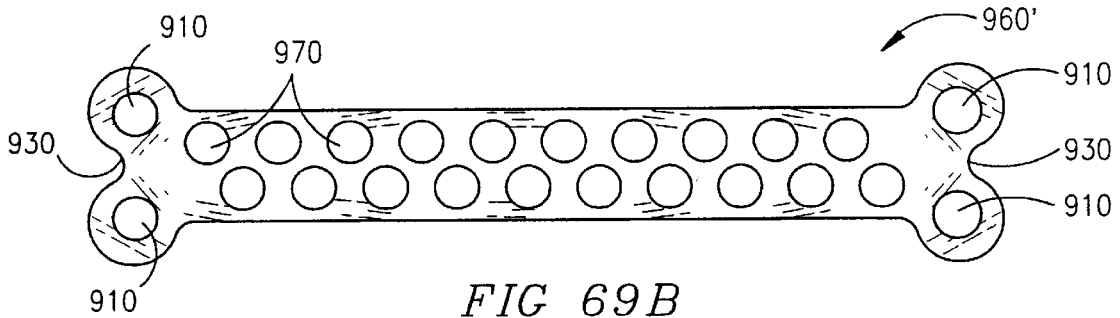


FIG 69B

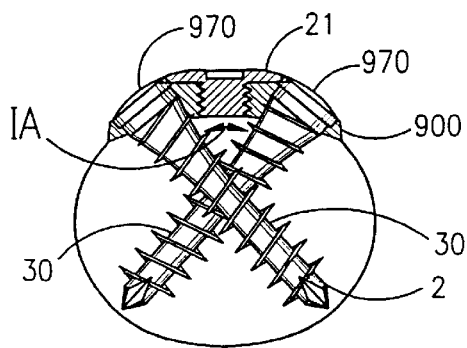


FIG 70A



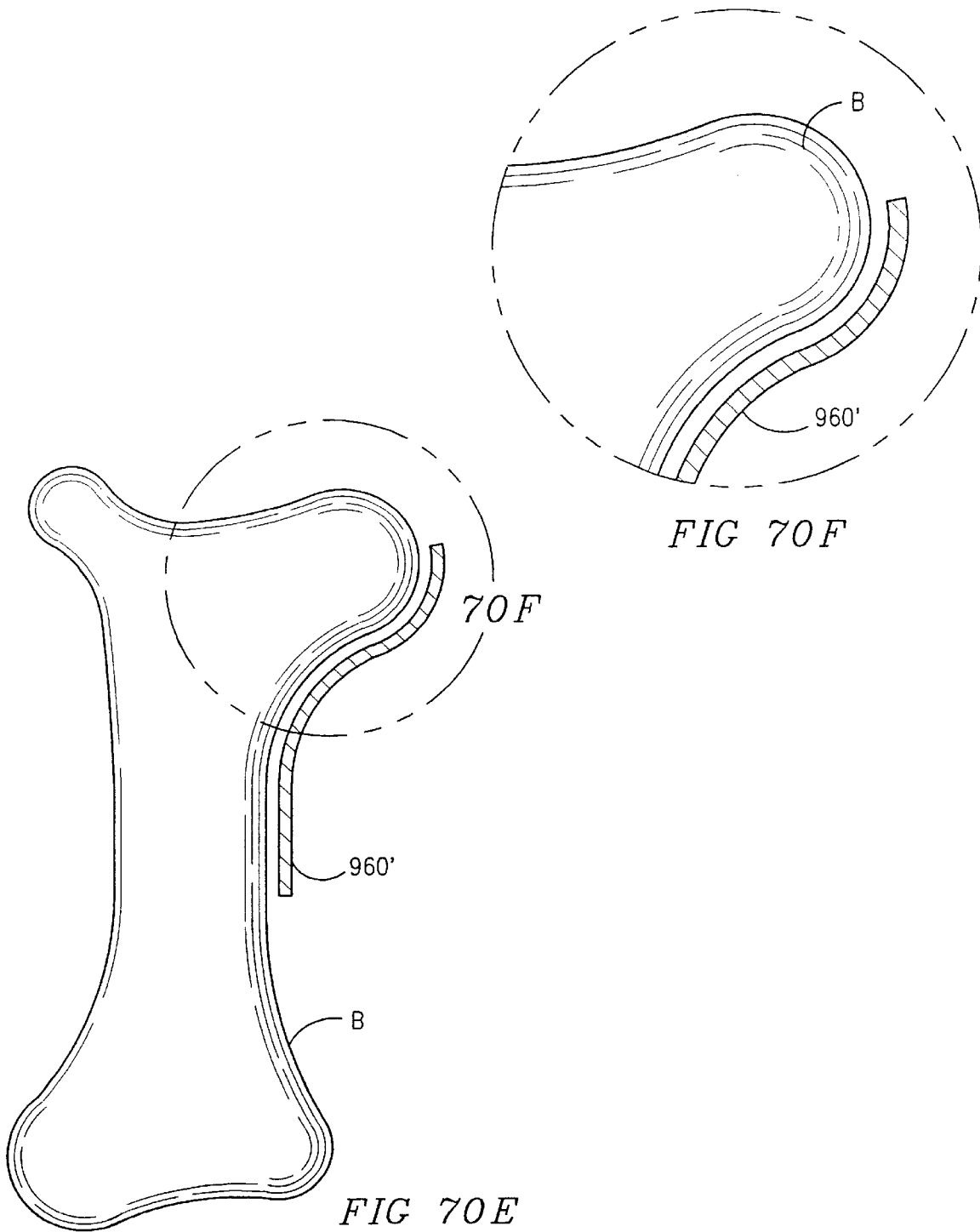
FIG 70B



FIG 70C



FIG 70D



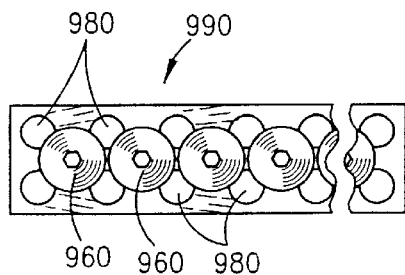


FIG 71

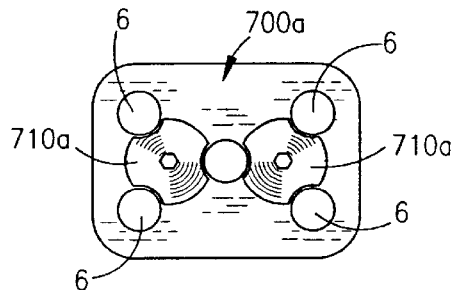


FIG 72A

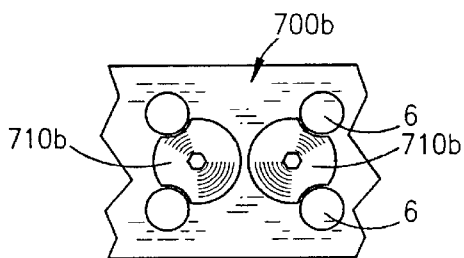


FIG 72B

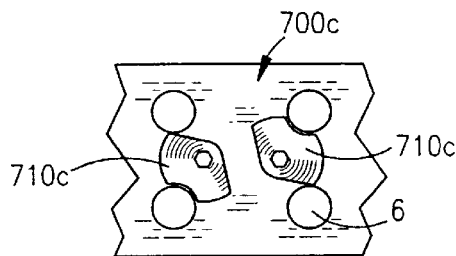


FIG 72C

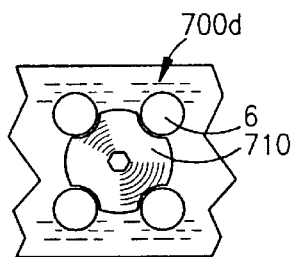


FIG 72D

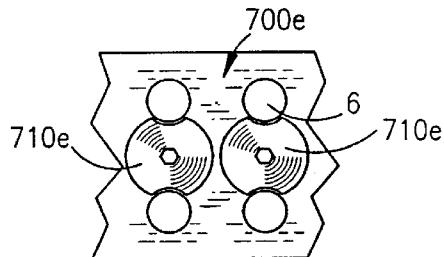


FIG 72E

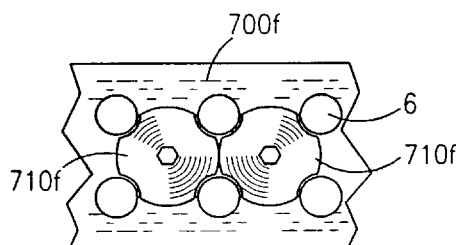


FIG 72F

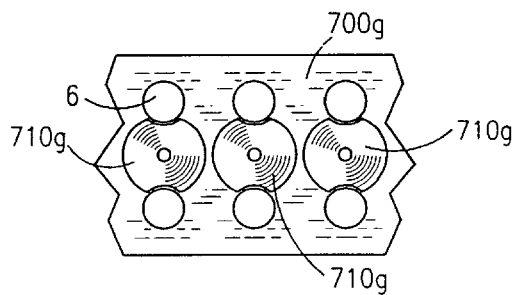


FIG 72G

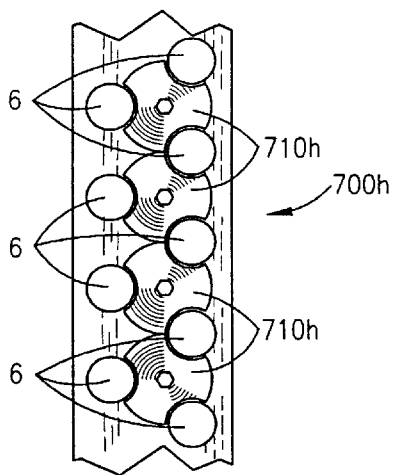


FIG 72H

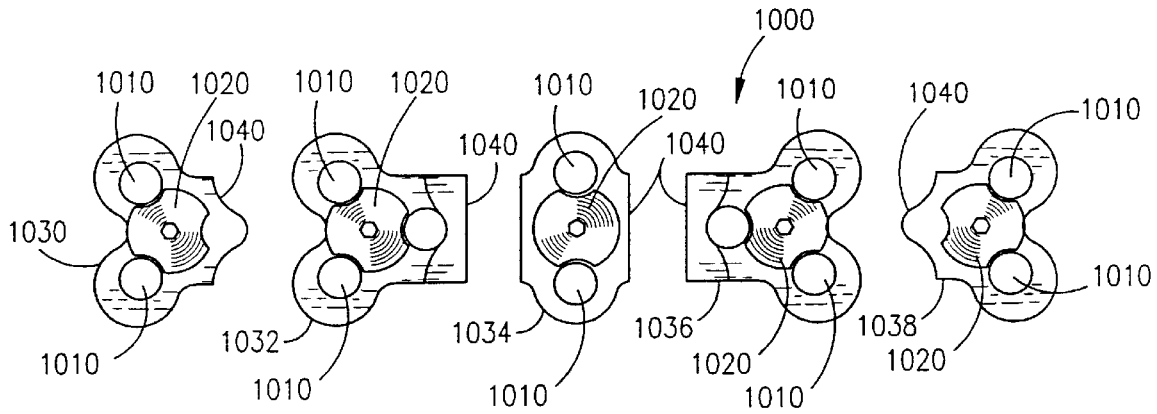


FIG 73

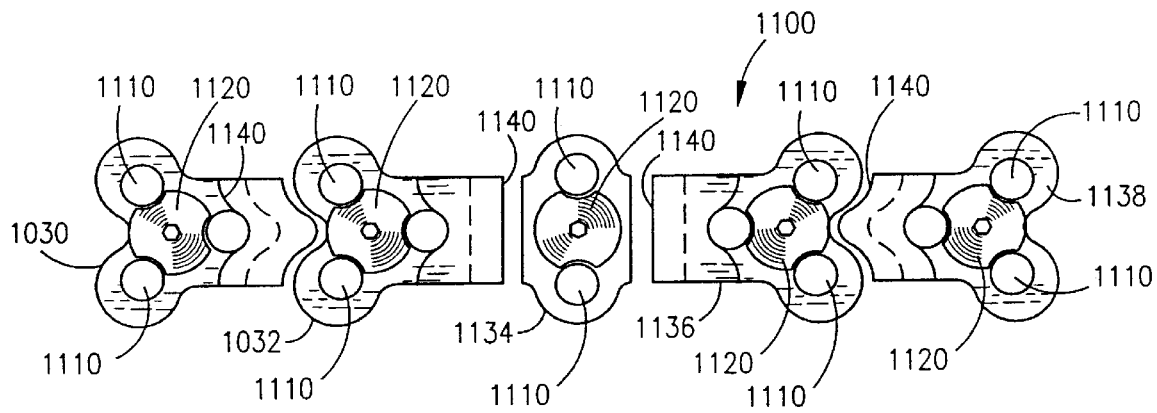


FIG 74

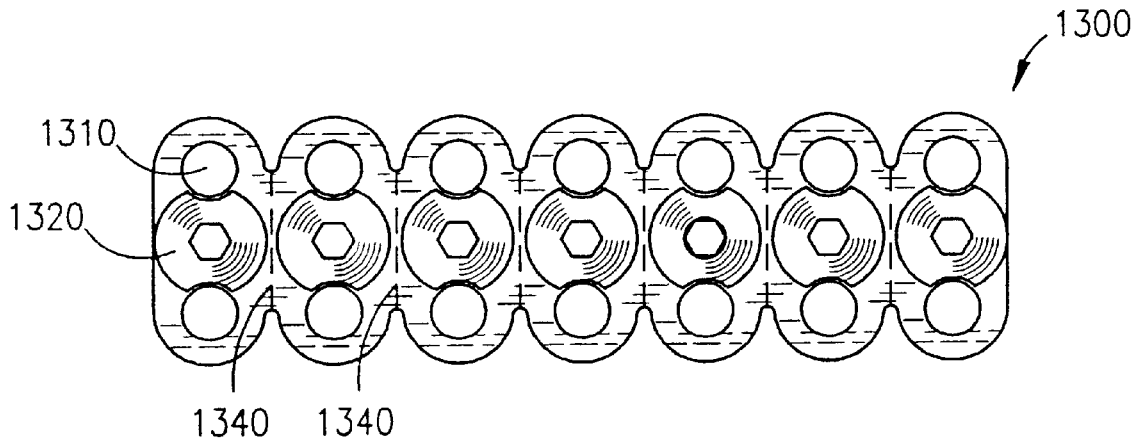


FIG 75

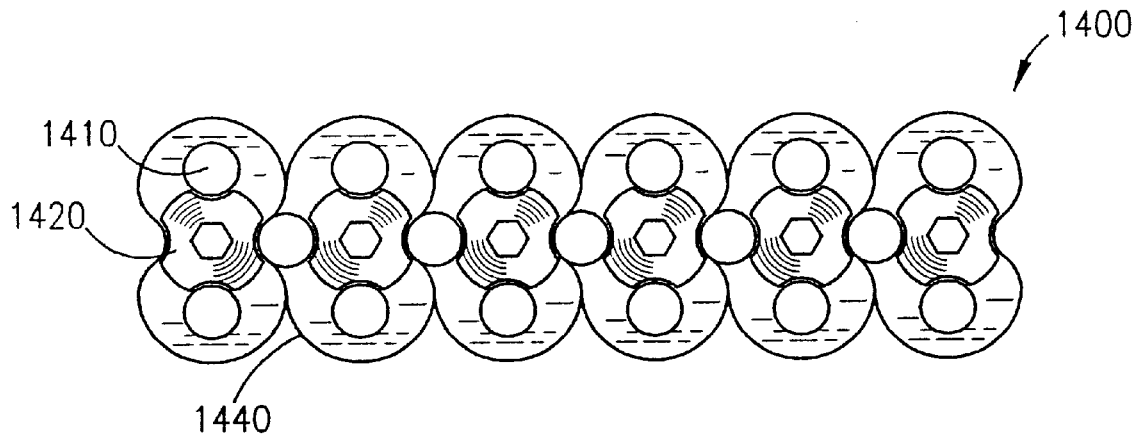


FIG 76

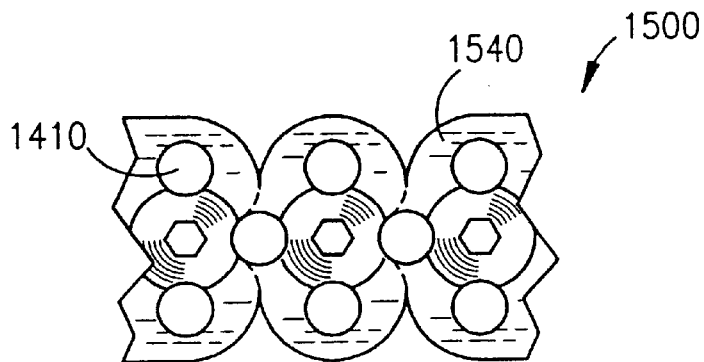


FIG 77

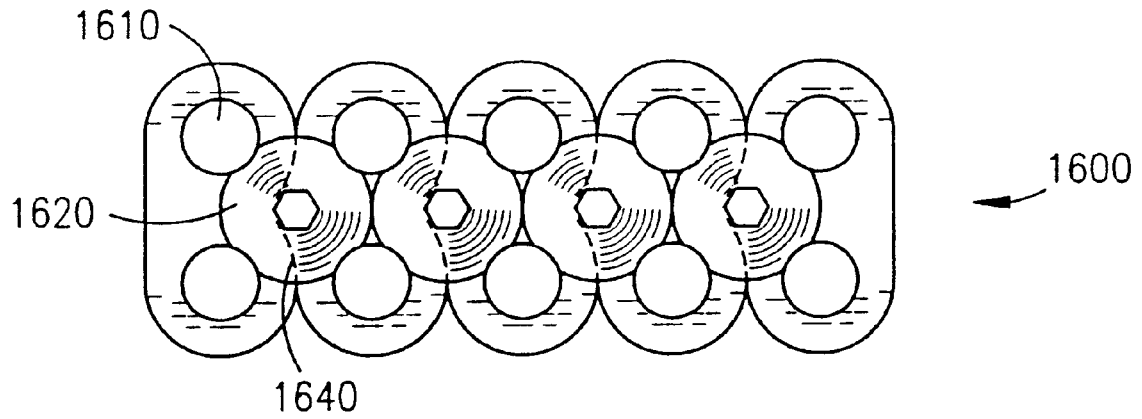


FIG 78

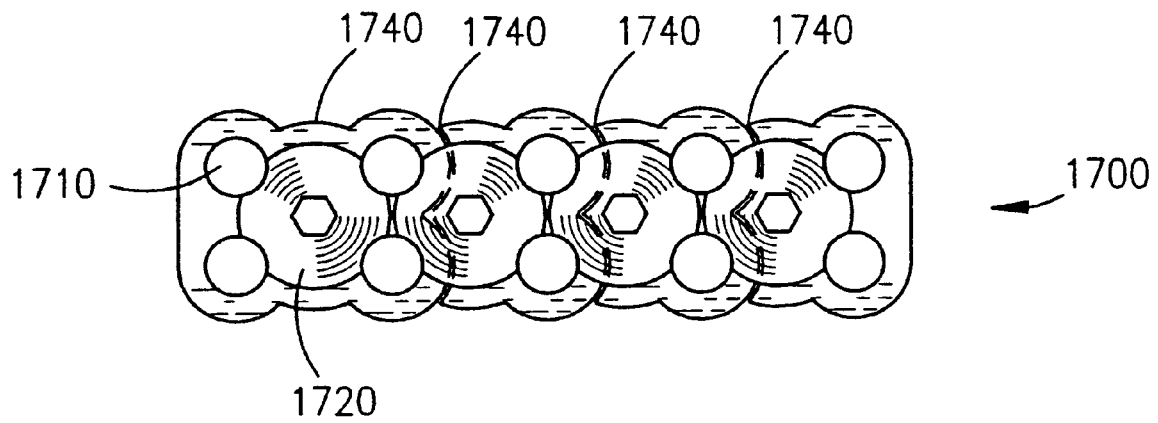


FIG 79

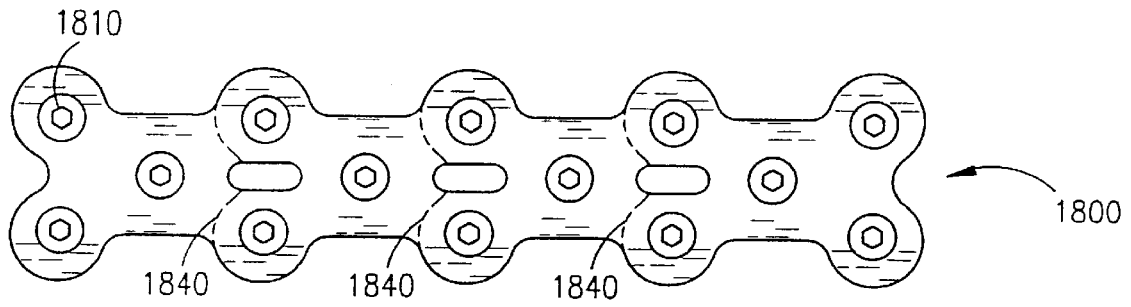


FIG 80

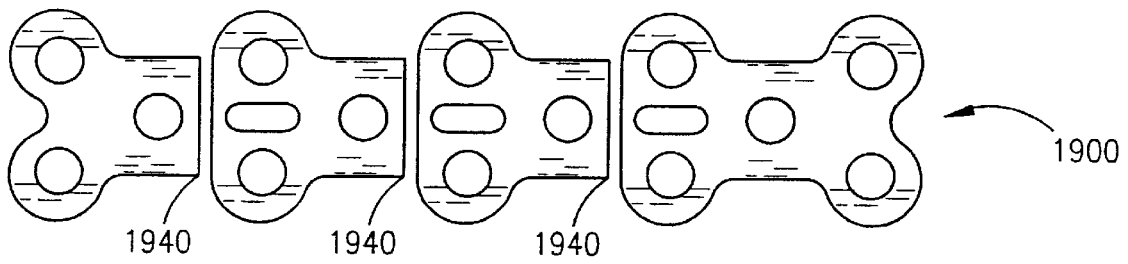


FIG 81

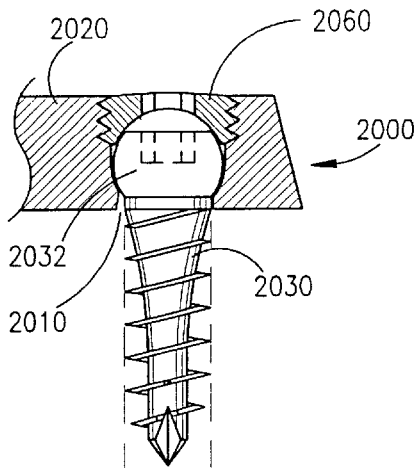


FIG 82

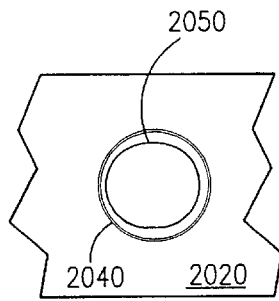


FIG 83

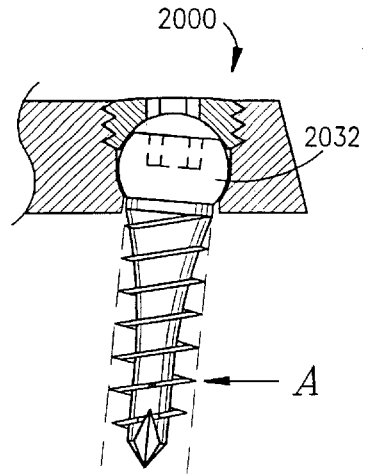


FIG 84

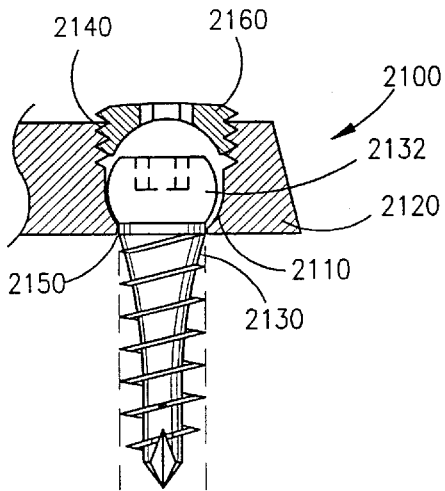


FIG 85

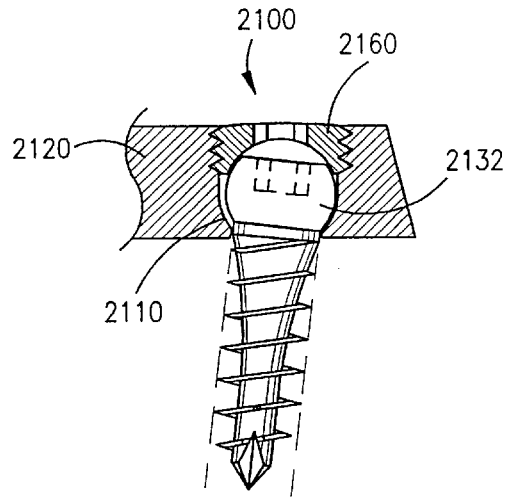


FIG 86

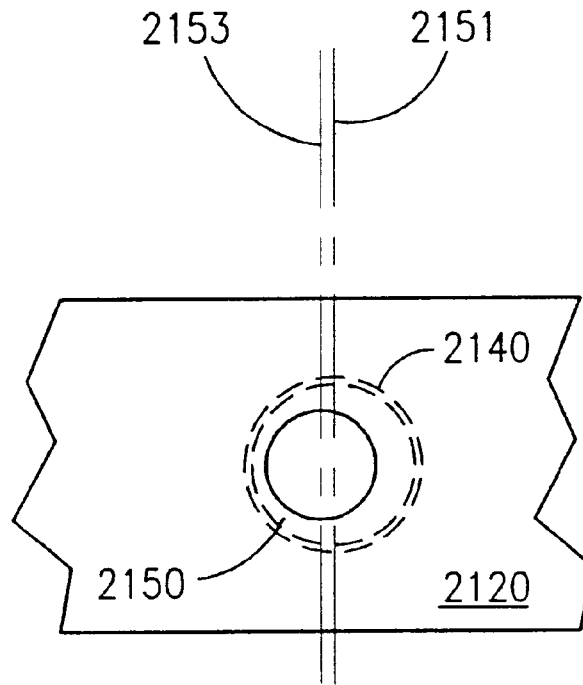


FIG 87

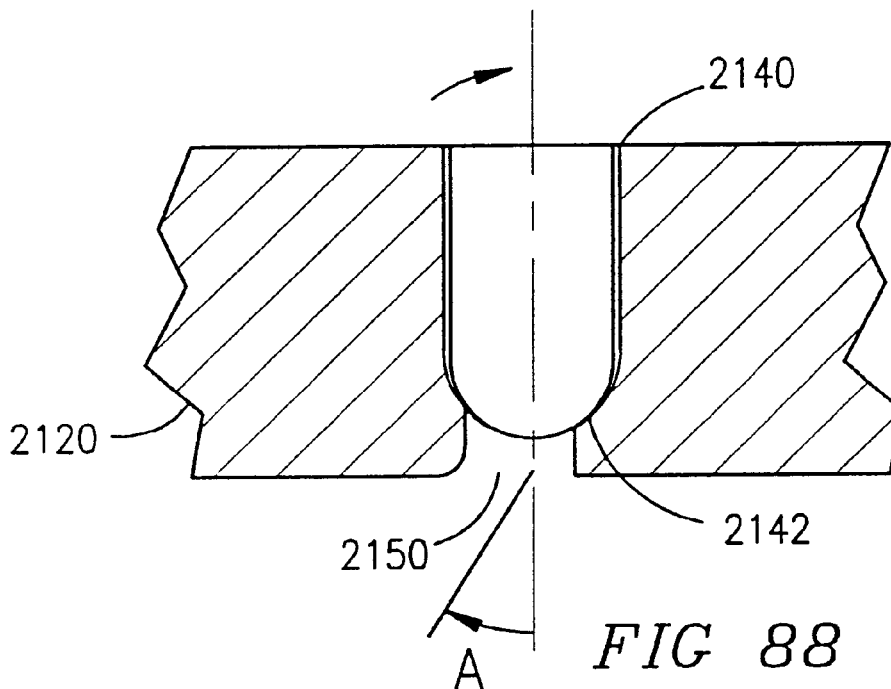


FIG 88

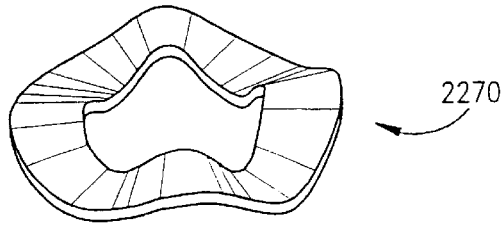


FIG 91

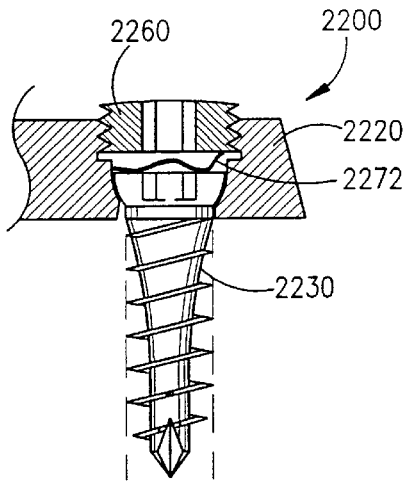


FIG 89

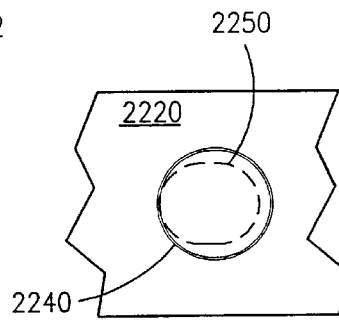


FIG 90

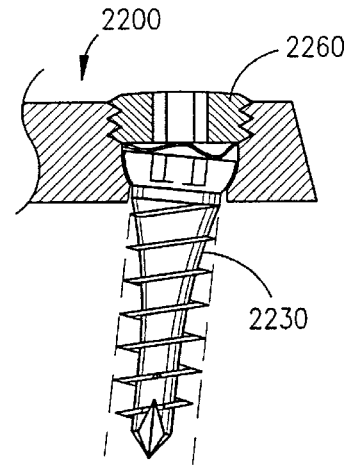


FIG 92

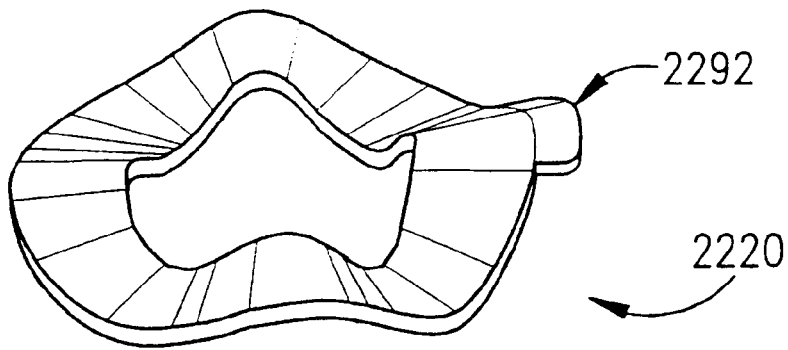


FIG 93

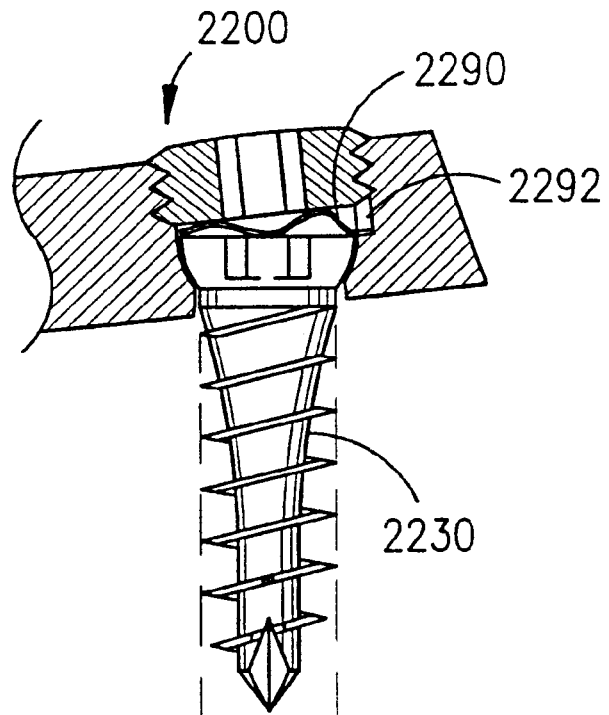


FIG 94

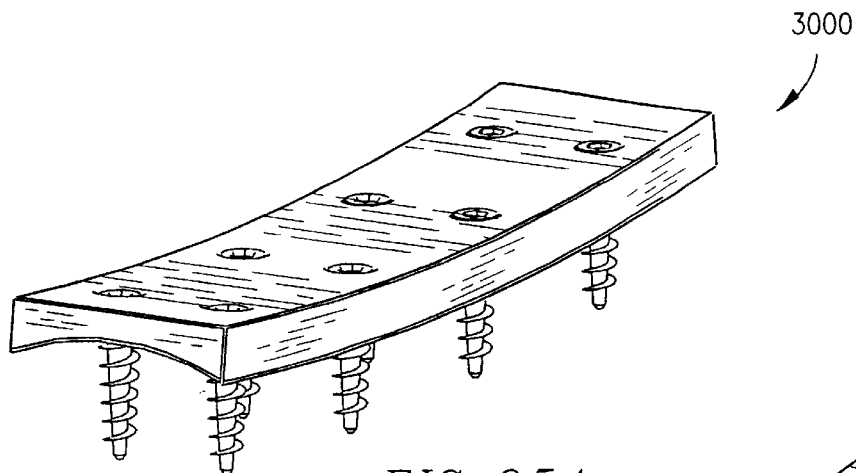


FIG 95A

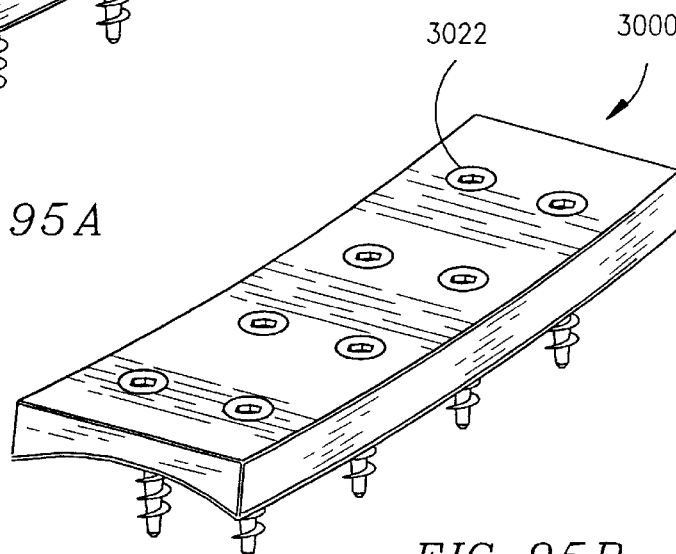


FIG 95B

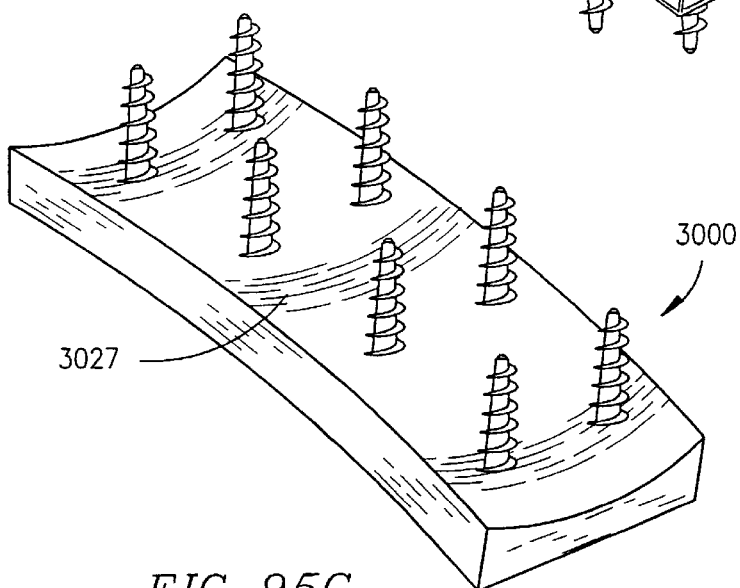


FIG 95C

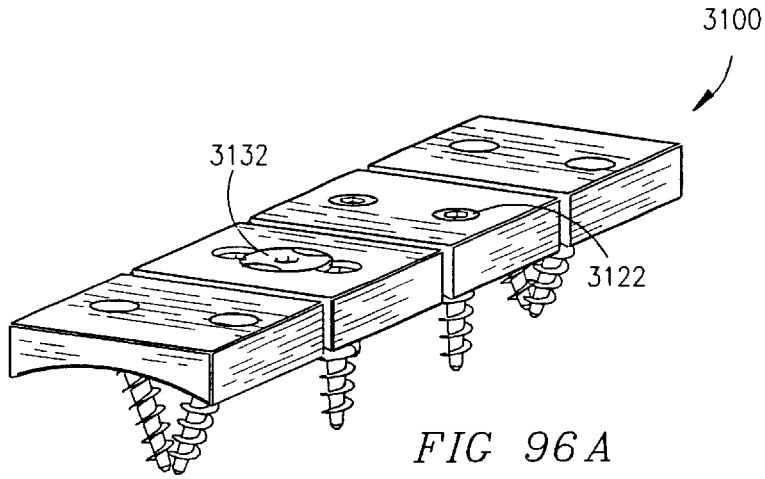


FIG 96A

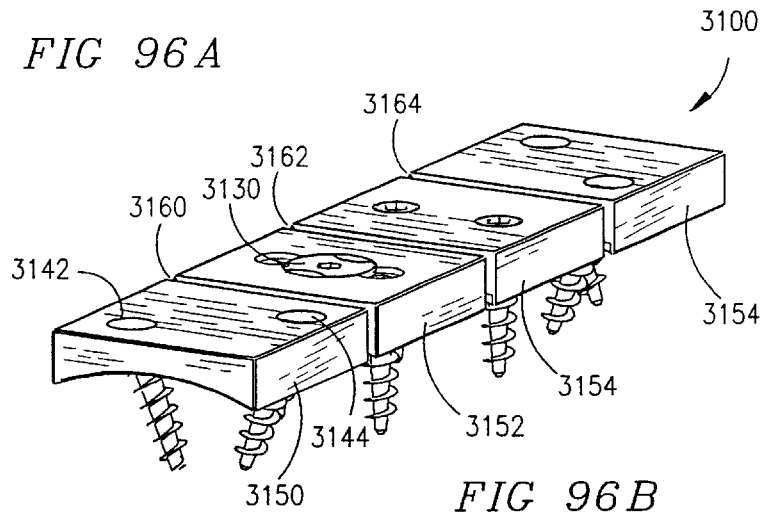


FIG 96B

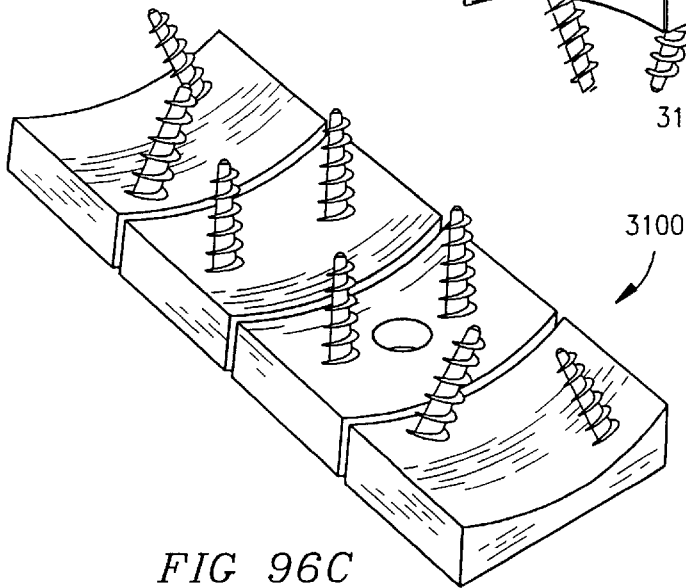


FIG 96C

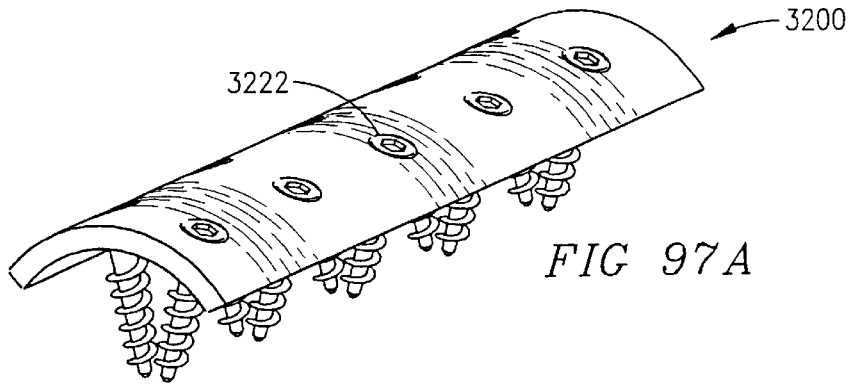


FIG 97A

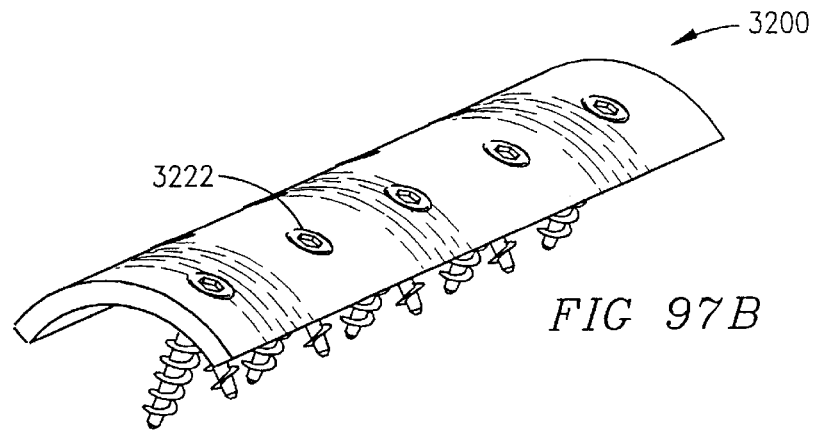


FIG 97B

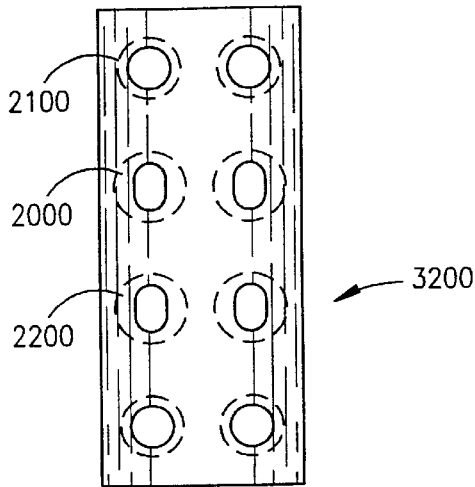


FIG 97D

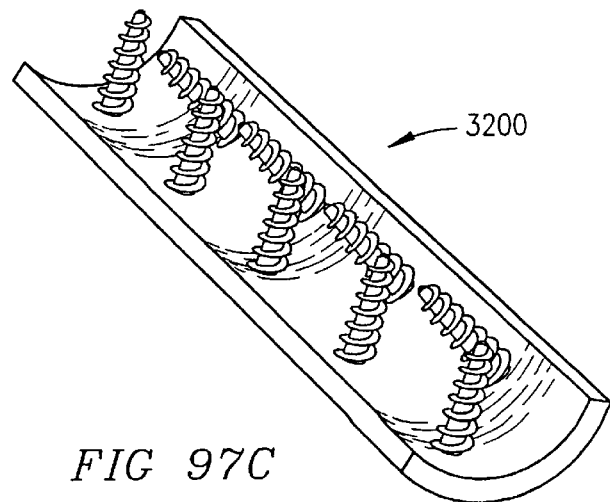


FIG 97C

SKELTAL PLATING SYSTEM**RELATED APPLICATIONS**

This application claims priority of application Ser. No. 60/037,139 filed Feb. 11, 1997, incorporated herein by reference. Application Ser. No. 09/022,293, filed Feb. 11, 1998, and titled ANTERIOR CERVICAL PLATING SYSTEM, INSTRUMENTATION, AND METHOD OF INSTALLATION is incorporated by reference herein.

BACKGROUND OF THE INVENTION**1. Field of the Invention**

The present invention relates generally to skeletal plate systems for aligning and maintaining bone portions of the same bone or of different bones in a selected spatial relationship for healing or fusion of the bone portions, respectively. In particular, the present invention relates to skeletal plating systems comprising a plate that is flat and/or convex over a substantial portion of the lower surface of the plate along the longitudinal axis of the plate, bone screws, and locks for locking the bone screws to the plate; to segmentable plates; crossing screw plates; and combination bone screw-lock-plate systems permitting or causing, intersegmental bone compression and/or shortening.

2. Description of the Related Art

It is current practice in orthopedic surgery to use plating systems for joining portions of a broken bone, or for fusion of portions of separate bones. Such systems are composed essentially of plates and screws for aligning and holding the bone portions in a desired position relative to one another. Plating systems have usefulness in the spine, and have general skeletal use on the flat bones, such as the scapula and the pelvis by way of example, and for use on tubular bones, such as the humerus, ulna, radius, femur, and tibia by way of example.

Problems associated with such plating systems have included hardware breakage, hardware loosening, inability to gain adequate fixation, and distraction pseudoarthrosis where the plate will not allow the bone portions to come together over time resulting in a failure to get solid bone healing. These occurrences may cause problems, be associated with surgical failure, and require further surgical procedures to repair the damage, remove the failed hardware, and/or to reattempt skeletal stabilization.

Plates are usually provided to the surgeon for use in sets having a range of sizes so as to provide for such features as biological variability in size, the numbers of segments to be joined, and the length of the portions of bone to be joined. By way of example, it would be common for a plating system for use on the anterior cervical spine and for joining from two to five vertebrae to comprise of from forty to sixty plates. This requires manufacturers to make a large number of different plates, resulting in increased manufacturing costs and inventory costs and increased costs for hospitals to stock large numbers of plates. Further, in the event that a plate is used and another of its kind is needed before it can be replaced, the ability to provide to a patient the best care could be compromised.

Known plating systems additionally experience problems in connection with those procedures where bone grafts are placed between vertebral bodies to achieve an interbody fusion which heals by a process called "creeping substitution". In this process, dead bone at the interfaces between the graft and the adjacent vertebra is removed by the body, as a prelude to the new growth of bone forming cells and the

deposition of new bone. While the plates allow for proper alignment of the vertebrae and their rigid fixation, they can therefore, at the same time unfortunately, hold the vertebrae apart while the resorption phase of the creeping substitution process forms gaps in the bone at the fusion site with the result that the desired fusion does not occur. Such failure in an attempted fusion is known as pseudoarthrosis. A similar phenomenon occurs at the interface of a fractured bone's fragments and is known as non-union. When such a failure occurs, the hardware itself will usually break or become loosened over time requiring further surgery to remove the broken hardware and to again attempt fusion or fracture repair.

Based on a consideration of the features of all of the known plating systems, there remains a need for an improved plating system having the following combination of features:

- 1) The plate and screws should be sufficiently strong to perform their intended function without mechanical failure;
- 2) The hardware, and specifically the screws, should be capable of achieving adequate purchase into the bone;
- 3) Means should be provided for locking each and every bone screw to the plate, and the locking means should be of sufficient size and strength to reliably perform its intended functions;
- 4) Bone screw locking means should preferably be retainable by the plate prior to bone screw insertion, or should be reliably attachable to a driver to prevent any small parts from becoming loose in the wound;
- 5) Bone screw orientation should be provided to create maximum screw purchase into bone and high resistance from being dislodged from the bone;
- 6) An improved and lower cost of production method for the manufacturer of medical plates should be provided;
- 7) A plate system should be provided for use in various sizes of patients which can be easily made to a selected length by a surgeon to fit the desired application in order to substantially reduce the number of plates required; and
- 8) Bone screw and plating system should be provided that prevent holding apart of bone portions during the process of creeping substitution and causes, or permits, or both causes and permits the bone portions to move toward each other to permit and promote the fusion or healing of the bone portions.

SUMMARY OF THE INVENTION

The present invention meets the above stated needs by providing various embodiments which are combinable, and may all be utilizable in the same plating system, such embodiments include (1) a skeletal plating system comprising a plate, that is flat over a substantial portion of its lower surface along the longitudinal axis of the plate and/or that has a lower surface that is convex curved along a substantial portion of the longitudinal axis of the plate, bone screws, and locks for locking the bone screws to the plate for skeletal use; (2) a skeletal plating system that permits a pair of bone screws to be inserted into a bone portion in a crossed over orientation and locked in place to the plate; (3) a segmentable skeletal plating system constructed so as to be selected for length by the surgeon; and (4) a combination screw-lock-plating system capable of allowing or urging bone portions together.

1. General Use Skeletal Plating-System

a. Multiple Lock System

The plating system of a first embodiment of the present invention comprises a general use skeletal plate having a bottom surface for placement against bone portions, wherein a substantial portion of the bottom surface of the plate is either flat or convex along the longitudinal axis of the plate. It is appreciated that a lesser portion of the lower surface of the plate may be otherwise shaped. The plate of the present invention has a plurality of bone screw receiving holes which extend through the plate, from the upper surface to the lower surface. The plate and its component parts, may be made of any implant quality material suitable for this purpose and suitable for use in the human body, such as, but not limited to, titanium or its alloys. The plate and/or the associated components may be made of a bioresorbable material and may comprise or be coated at least in part with fusion promoting chemical substances, such as bone morphogenetic proteins and the like.

Bone screws are each insertable into a respective bone screw receiving hole for attaching the plate to bone. A locking element, preferably, but not necessarily, in the form of a screw, is engageable in the locking screw hole of the plate and has a head formed to lock at least two of the bone screws to the plate. In the preferred embodiment, the locking elements are pre-installed prior to use by the surgeon in a manner so as to not impede installation of the bone screws into the bone screw receiving holes.

As a result, the problems previously associated with the locking screws of the type applied after the insertion of the bone screws, including the problems of instrumentation to position and deliver to the plate the locking means, backing out, breakage, stripping and misthreading associated with the prior art more delicate locking screws resembling "watchmaker's parts", are eliminated.

b. Single-lock System

The plating system of the second embodiment of the present invention comprises a single-lock plate for skeletal use having a bottom surface for placement against bone portions, wherein a substantial portion of the bottom surface of the plate is either flat or convex along the longitudinal axis of the plate. The single-lock plate has a locking element that fits within a bone screw receiving hole or into a recess overlapping a bone screw receiving hole to lock a respective one of the bone screws in place. According to this second embodiment of the invention, each of the bone screws is locked to the plate by means of an individual locking element which covers at least a portion of the bone screw. Since in the preferred embodiment of the single-lock plate, no other holes need be formed in the plate to attach the locking elements to the plate, the plate remains quite strong, or alternatively can be made thinner or narrower while keeping the requisite strength for the particular application.

The locking elements can be in many forms to achieve their intended purpose, such as, but not limited to, screws, threaded caps, rivets, set screws, projecting elements, and the like.

In common, neither the single-lock nor the multiple lock plating system requires that the head of the bone screw be hollow, as per some prior known plating systems. It will be appreciated that bone screws are weakened when their heads or head and neck portions are hollow so as to accommodate a second screw at least in part, if not wholly within.

2. Crossing Screw Plating System

In a further embodiment of the present invention, combinable in application with either the multiple lock or the single-lock systems and other novel features herein taught,

a plate provides for the crossing over of the shafts of at least a pair of bone screws within a bone portion. A crossed orientation of the screws within the bone provides a more secure engagement of the plate to the bone to which it is to be applied because longer screws may be used and because an area of bone is wedged and trapped between the screws as compared to plates which do not allow paired screws to cross. The use of further screws crossed and/or not crossed in combination with the crossed screw pair can be utilized to trap a still larger section of bone. The plate of the present invention may have multiple bone screw receiving bores (with fixed central longitudinal axes) in which the bores are oriented in a staggered configuration, such that the center points of each of the paired bone screw hole receiving bores are on different transverse lines to permit at least a pair of bone screws to be inserted in a crossed-over configuration within a bone portion. Preferably, the screw bores have defined longitudinal axes in the transverse plane of the plate though the screws may be capable of a variation in positioning as will subsequently be described. In the preferred embodiment, the included angle formed by the shafts of the crossed screws is between 25 to 90 degrees. For spinal use, by way of example, the paired screws are staggered, but are still alignable within the same vertebra so as to be diagonally crossed within that same vertebra and preferably crossed within the posterior two thirds of the vertebral body.

3. Segmentable Plating System

In a further embodiment of the present invention a segmentable plating system is disclosed combinable with the multiple lock and single-lock plating system and the crossing screw teaching, as well as combinable with other novel features herein taught. The segmentable plating system provides a single plate, or a limited set of plates, for aligning and maintaining bone portions in selected spatial relationship in which the plates are manufactured so as to be strong in use, but separable into shorter lengths by the surgeon as needed, thereby eliminating the need to stock a multitude of plate lengths.

By way of example, for application in the spine, an embodiment of the segmentable plating system of the present invention comprises a plate that is capable of spanning multiple segments of a cervical spine and has predetermined separation zones. The separation zones may be positioned in a segmentable plate such that when a portion of the segmentable plate would be applied to the vertebrae, the remaining separation zones in the plate, if any, would be supported by an underlying vertebrae. In use, the surgeon would determine the appropriate plate length needed and if the length needed was less than the length of the provided plate, the surgeon would remove the unneeded portion of the plate at the appropriate separation zone. By way of example, this procedure may be easily performed when the plate is made of titanium or one of its alloys, as the properties of titanium are such that when the plate is bent and then returned to its original position, a clean separation is made at the bend. The parts of the segmentable plates that are being separated can be held to either side of the separation zone to ensure that a precise separation is effected. The separation zones of the segmentable plate, by way of example, may comprise of the plate being scored along its upper, lower, or both upper and lower surfaces. The depth of such scores being dependent on the thickness of the plate, and being sufficient to create surface notchings and a path of least resistance for the plate separation, and yet of limited depth and shape, so as to not weaken the plate so as to render it less than sufficiently strong for its intended use.

By way of example, for application to the anterior aspect of the cervical spine four segmentable plates each having

generally a similar length for example sufficient to span five vertebrae (a length of from 80 to 120 mm), and each having different spacings between pairs of bone screw holes could comprise a complete set of plates allowing a surgeon to have all lengths and hole spacings needed to fuse from two to five vertebrae. While the described plates may be separable into a multitude of usable portions, because of regulatory issues involving the identification of each implant with a distinct and singular implant identification number for tracking purposes it may be desirable to configure the plates of the present invention such that each plate will yield only one usable portion, such as is taught in the present invention.

The segmentable plating system of the present invention also has application in reconstructive surgery. For example, during repair of a broken eye socket, the segmentable plating system of the present invention can be used to align and maintain the broken bone portions in correct spatial relationship. The curved characteristic of an eye socket would require the plate used to repair the socket to match the curvature. The segmentable plate of the present invention may be made of a malleable metal, with the malleability of the plate being enhanced by the segmentation of the plate, such that it can more easily be contoured by the surgeon to the appropriate curvature. The correct length of the segmentable plate can also be easily obtained by the surgeon as already described. It should be noted that if for example surgical titanium alloy is selected for the plate material, then the separation zones allow the plate to be more easily bent, but without separating. The present invention makes a virtue of the material property of that alloy in that it may be bent without damage, but fails with surprisingly little force if first bent and then bent back. Back bending is therefore only done for plate separation and is not needed for contouring which requires only primary bending.

The ability to separate a plate into segments also provides significant advantages in the manufacturing process. By way of example, in the process of investment casting, a process commonly used to produce plates. The investment casting cost of material is minor relative to the labor involved in the casting process for the production of each plate regardless of size. It is far more economical to cast one eight inch long plate, which is later separable into four two inch long plates, than to make four two inch castings. If machining is included in production, as from bare stock or stamping or casting, that work can be automated, but the placing of the piece into the machine and securing it (fixturing) generally requires hands on attention, is time consuming, and is a potential manufacturing bottleneck. An eight inch long plate yielding four two inch plates potentially separable at the end by the machine doing the machining, may be fixtured only once. In contrast, the prior art method of manufacturing would require each of the four two inch long plates to be fixtured separately, one at a time. Therefore, the manufacturer can cast one long segmentable plate which can then be separated in the later manufacturing stages to yield multiple plates at an overall lower cost. Similarly, if the plate were in the alternative to be manufactured by machining from solid stock, great labor could be saved by fixturing and securing a single long plate that is later separable into multiple plates rather than having to fixture and secure each of those plates individually.

4. Combination Screw-Lock-Plating System Capable of Intersegmentable Compression and Shortening

In a further alternative embodiment combinable with both the single-lock and multiple lock plate designs, the crossed screw teaching, and the segmentable plate teaching as well as other novel aspects of the present invention taught herein,

three types of combination screw-lock-plate systems are taught, each capable of intersegmentable shortening and/or compression. Each of the taught systems is designed to counteract and compensate for the lack of contact between bone portions to be joined that may occur as a result of creeping substitution described above. The present invention will allow the vertebrae to move toward an interposed bone graft, and each other if necessary, instead of keeping the vertebrae apart during the occurrence of the resorption phase of the creeping substitution process. Unlike prior art "dynamic" and/or compression plating systems, the present invention may allow for the preservation and/or enhancement of lordosis while otherwise restricting the motion of the bone screws relative to the plate.

The three types of screw-plate-lock systems, which are themselves combinable with one another, are as follows: (1) Passive Dynamic; (2) Self-Compressing; and (3) Active Dynamic and are described below.

a. Locked Passive Dynamic Plating System

As used in this description, the term "locked" means the screws are locked to the plate and can not backout. The term "dynamic" means the screw is capable of movement even though it is locked within the plate to allow bone portions to move closer together. The term "passive" means motion of the screw relative to the plate is allowed, but not caused.

The passive dynamic system allows a bone screw to move relative to the plate even after being locked to the plate when a force is presented against the screw. This system does not cause screw movement, but only allows for movement of the screw to occur and thus is a "passive" system. In a preferred embodiment, motion of the screw relative to the plate is confined to but one direction, that direction permitting bone portions to move closer to one another along the longitudinal axis of the plate.

In the passive dynamic system, a plate having a screw hole passing through the top and bottom surfaces of the plate for receiving a bone screw, may have a round opening at the top of the plate and may have a bottom opening that is oblong-shaped with a length greater than the diameter of a bone screw shaft locatable the screw hole when in use. The head of the bone screw is secured to the plate against backing out and generally against significant linear motion with a locking element, while the shaft of the bone screw is capable of angular motion relative to the plate. The oblong-shaped bottom opening of the screw hole allows the shaft of the bone screw to travel relative to the plate while the bone screw head rotates. The movement of the screw is greatest at the distal end of the screw, allowing for differential shortening of the bone portions being joined. For example, if such a plating system is applied to the anterior aspect of the cervical spine, lordosis (a convex curvature forward of the aligned vertebrae of the neck when viewed from the side) is enhanced when said passive movement occurs.

b. Self-Compressing Locking Plate System

In the self-compressing system, as a bone screw undergoes final tightening, or as it is being locked to the plate with a locking element the bone screw is forced to move in one allowed and desired direction. The bone screw can not move back once it is locked to the plate by the locking element. A purpose of the self-compressing system is to provide a fixed and locked angle of the bone screw relative to the plate for providing compression of bone portions to be joined, such as for example the cervical vertebrae adjacent a disc space, with movement of the bone screw as it is seated to the plate, producing compression and lordosis.

Unlike prior screw systems, the screws are only allowed to move in one direction, that being the direction that would

bring bone portions to be joined closer together by angular motion, rather than to produce translational motion of a screw as a whole, without angular change. This induction of a compressive load across bone portions to be joined or fused, induces bone growth and when bone resorption occurs at the interface of the bone portions to be joined, those bone portions are urged to move closer together, thus avoiding the formation of a gap so as to mitigate against non-union or pseudoarthrosis.

The self-compressing system may comprise a plate having a bone screw receiving hole passing through the top and bottom surfaces of the plate with a top opening that is round and has a rounded seat. The bone screw receiving hole has bottom opening that has a central longitudinal axis that is offset from the central longitudinal axis of the top opening. The bone screw may have a partially rounded head which fits within the upper portion of the bone screw opening and permits movement of the screw head within the top opening in order to provide the appropriate angle for the bone screw shaft with respect to the plate as the bone screw shaft passes through the bottom opening.

Further it is known in the art that compressive forces across the bone further induce bone growth and formation and the present invention teaches novel ways of maintaining bone to bone contact, compressive loading, and even a means for enhancing and increasing the compressive load. A further benefit of the present invention can be appreciated by way of example in regard to use of the present invention on the anterior cervical spine for spinal fusion.

c. Active Dynamic Locking Plating System

In the active dynamic system, a pre-load force is applied to a bone screw such that while the screw may undergo no added motion initially, there is a selective force applied to the screwhead and the screw is capable of motion in only one direction, such that should resorption occur at the interfaces of the bone portions to be joined then the screw is not only free to move in that, and only that direction, but is also urged to do so as it moves to relieve the preload force. Features of these systems may be combined with each other.

By way of example only and not limitation, a plating system may utilize bone screw holes that have a lower surface opening that is oblong and extends from the center aligned to the longitudinal axis of the bone screw receiving bore in a direction for which screw motion is desired. A loading means such as a Bellville washer, lock washer, or other springing means is employed to bear upon the screw head when the screw is locked within the plate from backing out. Such a system urges the bone portions together over time as resorption permits.

For any given use, (plate, screw, hole, and spring) it is simple to determine correct resistance, that being an amount less than would break the bone to which the force is being applied. The Belville-type washer can have a tab which fits into a recess formed within the top opening of the screw hole in order to facilitate proper orientation of the washer or the washer or spring means can be other than round so as to be directionally orientable when placed within the top opening of the screw hole.

When features of these self compressing and active dynamic systems are combined, such a system forces bone portions close upon tightening and then both allows and urges such further motion, as resorption permits over time. The bone screw will only move further in the pre-oriented direction if there is space available and if there is an opposing force present less than the pre-loaded force on the screw.

OBJECTS OF THE INVENTION

It is an object of the present invention to provide an improved plating system which has the above described

features and which avoids many of the shortcomings of previously known systems.

It is another object of the present invention to provide a locking mechanism where a plurality of bone screws used for attaching a plate to a bone portion can be easily and reliably locked in place at the same time by a single operation, and wherein the locking mechanisms for locking the bone screws may be pre-installed by the manufacturer prior to the insertion of the bone screws by the physician so that the physician does not have to attach the locking mechanism to the plate as a separate procedure during the operation.

A further object of the invention is to provide plates which are textured or otherwise treated to promote bone growth beneath the plate.

Yet another object of the invention is to provide a system in which the bone screws and locking mechanisms, when fully installed, have a low profile.

It is another object of the present invention to provide for a plating system which may be at least in part bioresorbable.

It is another object of the present invention to provide for a plating system comprising at least in part of bone ingrowth materials and surfaces.

It is another object of the present invention to provide for a plating system comprising at least in part of bone growth promoting substances.

It is another object of the present invention to provide plates with an improved holding ability within the bone due to a locked screw to plate crossover configuration.

It is another object of the present invention to provide a locked plating system capable of selected and specific screw motion so as to accommodate shortening of the bones to be joined.

It is another object of the present invention is to provide means for preventing distraction pseudoarthrosis of the anterior cervical spine, while providing for cervical lordosis.

The above and other objects and features of the invention will become more readily apparent from the following description of preferred embodiments of the invention, provided with reference to the accompanying drawings, which illustrate embodiments of the invention solely by way of non-limiting example.

BRIEF DESCRIPTION OF THE DRAWINGS

FIG. 1 is a perspective view of the first embodiment of a multiple locking plate.

FIG. 2 is a top plan view of the multiple locking plate shown in FIG. 1.

FIG. 3 is a side view of the multiple locking plate shown in FIG. 1.

FIG. 4 is an end view of the multiple locking plate shown in FIG. 1.

FIG. 5 is a bottom view of the multiple locking plate shown in FIG. 1.

FIG. 6 is a top view of the multiple locking plate shown in FIGS. 1-5, with locking elements installed, in an open configuration.

FIG. 7 is a top view of a modification of a plate of FIGS. 1-6 with a four bone screw locking element in place.

FIG. 8 is a top view of a further embodiment of the multiple locking plate of FIG. 1 with an elongated central slot for increased compression capability.

FIG. 9 is a locking element capable of use with the plates of FIGS. 1-6.

FIG. 10 is a top view of a locking element for use with the central opening of the plate of FIGS. 7 and 22.

FIG. 11 is a top view of a locking cap for use in the end openings shown in FIGS. 1, 6 and 7.

FIG. 12 is a side view of the locking element of FIG. 16.

FIG. 13 is a side view of another embodiment of the locking element of FIG. 16.

FIG. 14 is a perspective view of an alternative embodiment of cervical spine locking plate using locking rivets.

FIG. 15 is a bottom view of the multiple locking plate of FIG. 14.

FIG. 16 is a top view of a preinstallable two bone screw locking element.

FIG. 17 is a top view of an alternative embodiment of a four bone screw locking element having head slots for increased flexibility of the locking tabs.

FIG. 18 is a bottom view of the rivet type locking element for use with the central opening of the plate of FIG. 14.

FIG. 19 is a side view of a rivet locking element.

FIG. 20 is a top perspective view of the bottom portion of the head of rivet of FIG. 19 viewed along lines 20—20.

FIG. 21 is a top perspective view of the head portion of a three bone screw locking element.

FIG. 22 is a perspective view of a multiple locking plate formed to utilize locking elements in the form of threaded caps.

FIG. 23 is a side view of a locking element for use with the plate of FIG. 22.

FIG. 24 is a side view of a bone screw.

FIG. 25 is a side view of an alternative form of a bone screw.

FIG. 26 is a bottom view of the bone screws shown in FIG. 24.

FIG. 27 is a top view of the bone screw shown in FIG. 24.

FIG. 28 is a top perspective view of a fourth embodiment of a multiple locking plate.

FIG. 29 is a perspective view of locking element for use with the plate of FIG. 28.

FIG. 30A is a partial side sectional view of the plate of FIG. 28 along lines 30—30 with a bone screw in place.

FIG. 30B is an alternative embodiment of the bone screw of the present invention.

FIGS. 31A–31E illustrates top plan views of alternative embodiments of the multiple locking elements of the present invention.

FIG. 32A is an elevational, cross-sectional detail view of a portion of the bone forming device engaged to a portion of the plate of the present invention.

FIG. 32B is an alternative embodiment showing a cross-sectional view through the plate with a drill guide to guide a hole forming instrument.

FIG. 32C is an elevational, cross-sectional detail view of a portion of an alternative embodiment of a bone forming device engaged to a portion of the plate of the present invention.

FIG. 32D is a cross-sectional view along line 32D—32D of FIG. 32C.

FIG. 33 is a perspective view showing the locking of the bone screws to the plate.

FIG. 34A is a partial side sectional view of a shielded locking element attached to a driver instrument.

FIG. 34B is a partial side sectional view of an alternative embodiment of a locking element.

FIG. 35 is a partial side sectional view of another embodiment of the locking element.

FIG. 36 is a partial cross-sectional view showing a plate, locking element and bone screws along lines 36—36 of FIG. 33.

FIG. 37 is an enlarged portion of detail along line 37 of FIG. 36.

FIG. 38 is a side partial cross sectional view of a plate holder attached to a plate.

FIG. 39A is a side partial cross sectional view of another embodiment of a plate holder attached to a plate.

FIG. 39B is a side partial cross sectional view of another embodiment of a plate holder attached to a plate.

FIG. 39C is an end view of the plate holder shown in FIG. 39B.

FIG. 39D is an enlarged fragmentation view of the tip of the plate holder shown in FIG. 39B.

FIG. 40 is a top perspective view of an embodiment of a single locking plate.

FIG. 41 is a top plan view of the plate shown in FIG. 40.

FIG. 42 is a side view of the plate shown in FIG. 40.

FIG. 43 is an end view of the plate shown in FIG. 40.

FIG. 44 is a bottom plan view of the plate shown in FIG. 40.

FIG. 45 is a top plan view of the plate shown in FIG. 40, with locking elements in place.

FIG. 46 is a side view of a bone screw used with the plate shown in FIG. 40.

FIG. 47 is a top view of the bone screw shown in FIG. 46.

FIG. 48 is a bottom view of the bone screw of FIG. 46.

FIG. 49 is a top view of a locking cap for use with the single locking plate of FIG. 40.

FIG. 50 is a side view of the locking cap shown in FIG. 49.

FIG. 51 is a bottom view of the locking cap shown in FIGS. 49 and 50.

FIG. 52 is a bottom perspective view of the locking cap of FIGS. 49–51.

FIG. 53 is a cutaway view of the hole forming instrument threaded to a bone screw hole of a plate.

FIG. 54 is a perspective side sectional view of a drill and drill guide threadably engaged to the plate for drilling the hole for insertion of a bone screw.

FIG. 55 is a perspective view of a single locking plate installed along a bone with locking caps installed in two bone screw receiving holes.

FIG. 56 is a partial cross sectional view of a locking cap engaged to a driver for installing the locking cap.

FIG. 57 is a partial cross sectional view of the plate, bone screws and locking cap of FIG. 55.

FIG. 58 is an enlarged fragmentary view of area 58 of FIG. 57.

FIG. 59 is a perspective view of a second embodiment of a single locking plate having individual locking elements to lock each bone screw.

FIG. 60 is a perspective view of a threaded locking element for use with the single locking plate of FIG. 59.

FIG. 61 is a partial side sectional view of the plate of FIG. 59 viewed along lines 73—73 with the locking element of FIG. 60 in place to hold a bone screw, but not fully tightened.

FIG. 62 is a perspective view of an alternative locking element for use with a first modification of the single locking plate of FIG. 59.

FIG. 63 is a side sectional view of the first modification of the plate of FIG. 59 with the locking element of FIG. 62.

FIG. 64 is a perspective view of an alternative locking element for use with the first modification of the plate of FIG. 59.

FIG. 65 is a side sectional view of the first modification of the plate of FIG. 59 with the locking element of FIG. 64 in place.

FIG. 66 is a perspective view of another alternative locking element in the form of a rivet for use with a second modification of the locking plate of FIG. 59.

FIG. 67 is a partial side sectional detail view of the plate of FIG. 59 modified to use a locking element of FIG. 66 shown in place.

FIG. 68 is a top plan view of a single-lock plate.

FIG. 69A is a top plan view of plate of a single-lock the present invention having a staggered screw hole pattern to provide crossing over of the bone screws into bone.

FIG. 69B is an alternative embodiment of the plate shown in FIG. 69A.

FIG. 70A is cross sectional view of a bone with the plate of FIG. 69A or 69B engaged to the bone with two bone screws shown crossed over and penetrating the bone in different planes.

FIGS. 70B–70D are end views of alternative embodiments of the plate shown in FIG. 70A.

FIG. 70E is a side elevational view of a plate in accordance with the present invention shown applied to a long bone.

FIG. 70F is an enlarged detailed view along line 70F of FIG. 70E.

FIG. 71 is a top plan view of a further embodiment of the multiple locking plate for use in stabilizing multiple segments of the spine or portions of a long bone.

FIGS. 72A–72H are top plan view of various embodiments of multiple locking plates of the present invention.

FIG. 73 is a top plan view of an alternative embodiment of the present invention in the form of a multiple locking segmentable plate shown in a separated state.

FIG. 74 is a top plan view of an alternative embodiment of a multiple locking segmentable plate of FIG. 73 shown in a separated state.

FIG. 75 is a top plan view of an alternative embodiment of a multiple locking segmentable plate shown in an unseparated state.

FIG. 76 is a top plan view of an alternative embodiment of a multiple locking segmentable plate shown in an unseparated state.

FIG. 77 is a top plan view of a portion of an alternative embodiment of a multiple locking segmentable plate shown in an unseparated state.

FIG. 78 is a top plan view of an alternative embodiment of a multiple locking segmentable plate shown in an unseparated state.

FIG. 79 is a top plan view of the multiple locking segmentable plate of FIG. 78 shown in a separated state.

FIG. 80 is a top plan view of an alternative embodiment of the present invention in the form of a single-lock segmentable plate shown in an unseparated state.

FIG. 81 is a top plan view of the single-lock segmentable plate of FIG. 80 shown in a separated state.

FIG. 82 is a partial side sectional view of a passive dynamic screw-plate-lock system of the present invention.

FIG. 83 is a top plan view of an opening in the plate shown in FIG. 82.

FIG. 84 is a partial side sectional view of the passive dynamic screw-plate-lock system of FIG. 82 indicating motion in response to a force being applied to the screw in the direction of Arrow A.

FIG. 85 is a partial side sectional view of the self-compressing screw-plate-lock system of the present invention with the lock partially inserted.

FIG. 86 is a partial side sectional view of the self-compressing screw-plate-lock system of FIG. 85 in with the lock fully inserted and the screw seated.

FIG. 87 is a top plan view and opening in the plate shown in FIG. 86.

FIG. 88 is a side sectional view of the opening in the plate shown in FIG. 87.

FIG. 89 is a partial side sectional view of an active dynamic screw-plate-lock system of the present invention.

FIG. 90 is a top plan view of the opening in the plate shown in FIG. 89.

FIG. 91 is a top perspective view of the Belleville type washer of the active dynamic screw-plate-lock system of FIG. 89.

FIG. 92 is a partial side sectional view of the active dynamic screw-plate-lock system of FIG. 82 with the lock further tightened and the screw seated.

FIG. 93 is a top perspective view of an alternative embodiment of the washer of FIG. 94 having a tab for insertion into a corresponding recess in the plate.

FIG. 94 is a partial side sectional view of the active dynamic screw-plate-lock system of FIG. 93 with the lock fully inserted, the screw seated, and the tab of the washer inserted into a corresponding recess in the plate.

FIG. 95A is a side perspective view of an alternative embodiment of a plate in accordance with the present invention.

FIG. 95B is a top perspective view of the plate in FIG. 95A.

FIG. 95C is a bottom perspective view of the plate in FIG. 95A.

FIG. 96A is a side perspective view of an alternative embodiment of a plate in accordance with the present invention.

FIG. 96B is a top perspective view of the plate in FIG. 96A.

FIG. 96C is a bottom perspective view of the plate in FIG. 96A.

FIG. 97A is a side perspective view of an alternative embodiment of a plate in accordance with the present invention.

FIG. 97B is a top perspective view of the plate in FIG. 97A.

FIG. 97C is a bottom perspective view of the plate in FIG. 97B.

FIG. 97D is a bottom plan view of the plate in FIG. 97B.

DETAILED DESCRIPTION OF THE DRAWINGS

In a first embodiment of the present invention a plurality of bone screws are locked to a plate with a pre-installed locking element. This is referred to as the multiple locking plate system. The multiple locking plates will be described, then the locking elements for locking the bone screws to the plate, and then novel bone screws for use with the plates of

the present invention. In an alternative embodiment, a single locking element locks a single bone screw to the plate and is referred to as the single lock system.

It is appreciated that the features associated with each of the embodiments of the present invention are not limited to the particular embodiment for which the features are described and are combinable with features described in association with all the embodiments of the present invention.

1. General Use Skeletal Plating-System

a. Multiple Locking Plate System

The preferred embodiment of the multiple locking plate 2 according to the present invention is shown in FIGS. 1–5. Plate 2 has a generally elongated form whose outline is generally rectangular. It is recognized that other shapes for plate 2 may be employed. Plate 2 has a bottom surface 27 for placement against bone portions, wherein a substantial portion of bottom surface 27 is either flat and/or convex (as shown in FIGS. 95A–95C) along the longitudinal axis of the plate. Plate 2 is for general skeletal use other than in the anterior cervical spine.

As an example only, plate 2 is provided with three locking screw holes 12, each of which in the preferred embodiment is internally threaded 3, and each of which is surrounded by a shallow countersunk region 14. As will be described in greater detail below, in the preferred embodiment, bone screws are inserted in the bone screw receiving holes and a single locking element associated with each of the locking screw holes 12 locks a number of bone screws 30 in position at one time. The locking element may be pre-installed to the plate.

In the embodiment illustrated in FIGS. 1–5, each end locking element 20 will lock three bone screws 30 in place, while locking screw 21 in central locking hole 12 locks two bone screws 30 in place. As shown in FIG. 7, central locking element 25 can also be configured so that four bone screws 30 are locked at one time. Plate 2 may have a thickness appropriate for the strength required for the bone or bones to which it is to be applied and generally in a range from 2 to 8 mm is preferred.

As shown in FIG. 5, at least a portion of bottom surface 27 of plate 2, preferably has a porous, and/or textured surface and may be coated with, impregnated with, or comprise of fusion promoting substances (such as bone morphogenetic proteins) so as to encourage the growth of bone along the underside of plate 2 from bone portion to bone portion. The textured bottom surface 27 also provides a medium for retaining fusion promoting substances with which the bottom surface 27 layer can be impregnated prior to installation. The bottom surface 27 of plate 2 may be given the desired porous textured form by rough blasting or any other conventional technology, such as etching, plasma spraying, sintering, and casting for example. If porous so as to promote bone ingrowth, the bottom surface 27 is formed to have a porosity or pore size in the order of 50–500 microns, and preferably 100–300 microns. Bone growth promoting substances with which the porous, textured bottom surface 27 can be impregnated include, but are not limited to, bone morphogenetic proteins, hydroxyapatite, or hydroxyapatite tricalcium phosphate. The plate 2 may comprise of at least in part a resorbable material which can further be impregnated with a bone growth material so that as the resorbable material is resorbed by the body of the patient, the bone growth material is released, thus acting as a time release mechanism. By having plate 2 itself made from a material that is resorbable and by having bone growth promoting material present permits the bone portions to be

joined to do so in a more natural manner as the plate becomes progressively less load bearing thereby avoiding late stress shielding of that bone area.

As further shown in FIGS. 4 and 5, at least one end of plate 2 may have a recess 18 that can cooperate with a compression apparatus.

FIG. 6 is a top plan view of plate 2 of FIG. 1 with locking elements 20, 21 inserted. In the preferred embodiment the locking elements are in the form of screws that cooperate with the threaded interior 3 of the locking holes 12. Each of these locking elements 20, 21 is shown in its initial open orientation, where the orientation of the cutouts 22 in the head 23 of each locking element 20, 21 is oriented so as to permit introduction of bone screws 30 into adjacent bone screw receiving holes 6,8 without interference by the head 23 of the locking element 20, 21.

FIG. 8 is a top view of another embodiment of plate 2 of FIGS. 1–5, and is generally referred to as plate 120. Plate 120 is provided with a longitudinally extending elongated slot 122 along its longitudinal axis which is superimposed on the middle locking hole 12. Elongated slot 122 allows additional relative movement between plate 120 and a compression post 54 associated with a compression tool during a compression procedure.

Referring to FIGS. 14 and 15, an alternative embodiment of a multiple locking plate referred to by the number 70 is shown. In plate 70, rather than the threaded locking hole 12, a central opening 200 for receiving a removable rivet 202, of the type shown in FIGS. 17–20, is provided. FIG. 15 is a bottom view of the plate 70 shown in FIG. 14. The contour of plate 70 is the same as that of plate 2 shown in FIGS. 1–5. The rivet 202 is removable and fits within the unthreaded opening 200, comparable to the locking hole 12 and slot 122 described above. Other embodiments may employ a rivet that is not removable, but is manufactured as part of plate 70 as would be used in the end locking holes 19 of FIGS. 14 and 15.

Referring to FIG. 22, another alternative embodiment of a multiple locking plate is shown and is generally referred to by the number 230. The plate 230 uses threaded caps, such as cap 300 shown in FIGS. 9 and 23, for a locking element or preferably one with cut outs as described herein having an appearance in a top view such as the locking screw element in FIGS. 10–11, for example. The central locking hole 602 has an elongated slot 234 for providing an increased compression capability, if desired.

Referring to FIGS. 10–13, a first embodiment of locking elements 20, 21, and 25 in the form of locking screws according to the present invention for use with plate 2 are shown. FIG. 10 is a top plan view illustrating the head 23 of the central locking element 25 shown in FIG. 7. The shaft 46 of locking element 25 is threaded 47 to mate with the threading 3 within the associated locking hole 12 of plate 2. As shown in FIG. 21, each segment 49 on each side of cutouts 22 of the locking element 21 has a bearing surface 48 formed at the lower surface of locking element head 23. As shown in FIG. 16, the locking element head 23 can be provided with two slits 42 for providing flexibility to the locking element head 23 to assist in the locking element's ability to ride over the top of the bone screw head 32 during the locking action when the locking element is rotated.

Referring to FIGS. 6 and 10–13, it will be appreciated that when the locking elements 20, 21 are rotated in the clockwise direction with respect to the view of FIG. 6, a respective bearing surface 48 will ride upon the curved top surface 39 of a respective bone screw head 32 in order to positively lock the associated bone screws 30 and the locking elements

20, 21 in place. This bearing feature can be used with the other locking elements described herein. Similarly, the bearing surface of the locking elements **20, 21, 25** can be also cammed.

Alternatively, as shown in FIGS. **12** and **13**, in place of a flat bearing surface **48**, a ramp or wedge shaped surface **44** may be used to increase the force applied to the bone screw head **32**. In an alternative embodiment cam design when locked, the leading end of the ramped portion **44** of locking element **21** would be lower than the prominence of the bone screw head **32** so that more force is needed to lift the locking element **21** and untighten it than is needed for the locking element **21** to remain tight and locked. However, the locking element head **23** need not have slits, be cammed or have a ramped surface to achieve the locking of bone screw **30** in place. Pressure, friction, interference fits, or other engagement means capable of preventing the locking element from moving from its locked position may be employed.

Referring to FIGS. **17–20** a rivet **202** intended for use in association with plate **70** of FIGS. **14–15**, is shown and is also shown in detail in cross section in FIGS. **19** and **20**. Rivet **202** has a head **204**, a shaft **206**, and an elongated bottom segment **208** for fitting within the corresponding opening **200** in plate **70**. The lower surface **210** of the head **204** of the rivet **202** has a bearing surface, such as on the bottom of locking element **20, 21**, for engaging the top surface **39** of the bone screw head **32**. For use in the end locking holes **19**, the upper surface of the elongated bottom segment **208** can have a camming surface for cooperating with the camming surface **17** of the bottom of plate **70** to hold the rivet **202** in the locked position against the bone screw head **32**, as shown in FIG. **15**. While the rivet of FIG. **18** is a separate, removable component from the plate, the rivets, and particularly those for use with the end locking holes, can be formed as part of the plate during the manufacturing process of the plate and rivet can be non removable if so desired. The bearing surface of the rivet **202** may also be cammed to prevent the rivet from unlocking once the cammed portion passes over the screw head.

Each of the above embodiments provides tight attachment of the locking element relative the bone screw **30** and relevant plate.

In the alternative embodiment of multiple locking plate **23** shown in FIG. **22**, the locking element can be in the form of threaded locking cap **300** shown in FIG. **23**. The threaded locking cap **300** has a thread **302** on its outer circumference corresponding to the thread **303** on the inner circumference of the locking element depressions **304** in the top of plate **230** shown in FIG. **22**. The locking cap **300** is relatively thin, particularly compared to its width. The top **305** of locking cap **300** may be provided with a noncircular recess or through hole **306** for receiving a similarly configured driving tool or employ other tool engaging means.

Referring to FIGS. **28, 29**, and **30A** another embodiment of the multiple locking plate generally referred to by the number **400** and a locking element in the form of a thin locking member **412** are shown. Plate **400** has an opening in its top surface for insertion of the thin locking member **412**, a recess **402** associated with each of the bone screw receiving holes **408** and a slot **410** in the side wall of the bone screw receiving holes **408** to permit the thin locking member **412**, having a series of thin projections or blades **414**, thinner than the slot **410**, that give this locking member **412** an appearance similar to that of a propeller. The thin locking member **412** is able to be rotated within the plate so as to not cover the bone screw holes, thus allowing the thin locking member **412** to be pre-installed prior to the installation of the

bone screws by the surgeon. Limited rotation of the thin locking member **412** allows the blades **414** to protrude through the slot **410** and to cover a portion of the top of the associated bone screws **30**. The blades **414** of the thin locking member **412** are flexible and, when rotated, slide over the top surface **39** of the bone screw head **32** to lock the bone screw **30** in place. As with the other embodiments discussed, each of the embodiments of the locking element is capable of locking more than one bone screw **30**. It is appreciated that the various multiple locking plates and locking element combinations are capable of locking as many as four bone screws at once, but are equally effective for locking a lesser number or none at all, that is securing itself to the plate.

It will be noted that one characteristic of each of the above described locking element embodiments is to have a driver engagement means, in these cases for example, a recess **24** as large as the recess **34** in the bone screws **30** so that the same tool can be used to turn both the bone screws **30** and the locking elements. Also, the locking elements are sufficiently strong and have sufficient mass so as to be able to withstand being locked without breakage.

Referring to FIG. **30B** an alternative embodiment of the bone screw **30** of the present invention is shown. Bone screw **30'** is a variable angle screw having a head **32'** with a rounded top and has neck below the head **32'** with relieved portions **33'a** and **33'b** to allow universal motion of the bone screw **30'** within the bone screw receiving hole of a plate as the relieved portions provide clearance for the screw to move. In one embodiment, bone screw **30'** may be secured to the plate by a locking element that prevents the screw from backing out, but allows the locking element to bear down on the top of the screw head **32'** still move relative to the plate. Alternatively, the bottom surface of the seat of the bone screw receiving hole and the bottom of the screw head **32'** may be roughened to provide some resistance to movement of the screw head **32'** within the bone screw receiving hole and/or the lock may bind the screw head with sufficient force such that once the lock is tightened no movement of the screw within the plate is possible.

The above described examples of the multiple locking elements have a number of cutout portions having an arc with a radius greater than that of the bone screw head. However, it is appreciated that preinstallable multiple locking elements can have a configuration without any cutout portions and still permit for clearance of the bone screw head. Some examples of such locking elements are shown in FIGS. **31A–31D** in which alternative embodiments of locking elements **20a–20d** without cutout portions and in which the bone screws can be installed into the bone screw receiving hole **6** even when the locking element is pre-installed to the plate. The locking elements may be rotated in the direction of arrow **A** to bear upon at least a portion of the screw head to lock the bone screws to the plate.

In addition, the head **23** of each locking element **20, 21** is provided at its center with a noncircular recess **24**, such as shown in FIG. **9** which is engageable by an appropriate manipulation tool, such as shown in FIGS. **33–35**. In the embodiment of head **23** shown in FIG. **9**, the associated tool would have a hex head, it is appreciated that other shapes of recesses in the head **23** may be used or other male or female driver engaging means may be used without departing from the scope of the present invention. The thread of each locking hole **12** and of each locking element **20, 21** has a close tolerance so that they will reliably retain their orientations so as to permit introduction of bone screws **30** into bone screw receiving holes **6, 8** without interference.

Alternatively, the threads can be slightly mismatched or a thread or threads can be made irregular or imperfect.

It is appreciated that while various forms of locking elements have been disclosed, in light of the teaching, other equivalent means can be used for the purpose of locking the bone screws **30** in place. In FIG. **71**, an alternative multiple locking plate **990** is shown having additional intermediate bone screw receiving holes **980** and, associated locking elements **960** for locking the bone screws **30** in place.

In FIGS. **72A–72H** various plates **700a–h** are shown. Each of these plates **700a–h** have bone screws inserted through the bone screw receiving holes **6** and then locked in place. As shown in FIGS. **72A–72H**, one locking element **710**, or two locking elements can be used to lock four bone screws in place. In FIGS. **72A–72H**, each of plates **700a–h** is shown with the locking elements in their open orientation, before being rotated to lock the bone screws. Plates **700a–700h** each have locking elements **710** for locking bone screws inserted into bone screw receiving hole **6** of the plate.

FIG. **24** provides a side view of one embodiment of a bone screw **30** according to the present invention. Bone screw **30** has a bone screw head **32**, a shaft **33**, and a tip **36**. FIG. **27** is a top view of the bone screw **30**. At the center of bone screw head **32** is a profiled recess **34** which may have the same form as the recess **24** of each locking element **20**, **21** in which case it may be turned with the same tool as that employed for turning locking elements **20**, **21**. It is appreciated that the driver engaging portion of the bone screw **30** could be slotted, and be either male or female.

In the embodiment of bone screw **30** shown in FIG. **24**, the bone screw head **32** is stepped, with the first lower head portion **35** being contiguous with the screw shank **33** and has a smaller diameter than the upper portion of the bone screw head **32**. Preferably, but without limitation, when this embodiment of bone screw **30** is employed, each bone screw receiving hole **6**, **8** of plate **2** has a countersunk region **14** matching the diameter of the upper portion of the bone screw head **32** and dimensioned for an interference fit. The lower portion **35** of the bone screw head **32** is dimensioned to achieve an interference fit with its associated portion of bone screw receiving holes **6**, **8**. The larger diameter upper portion of bone screw head **32** assures that the bone screw **30** cannot be advanced completely through bone screw receiving holes **6**, **8** of plate **2**. The bone screw **30** passes completely through the upper surface of plate **2** without engaging the upper surface in any way.

As shown in FIG. **37**, preferably, but without limitation, the head **32** of screw **30** passes unobstructed through the upper surface of the plate until the lower surface of enlarged screw head **32** engages the upper face of the narrowed bone screw receiving portion at the midsubstance or below the midsubstance of the plate. This is considered optimal for allowing for the greatest screw to plate stability, even absent the lock, against all forces except those reverse the path of insertion, while still providing for the greatest plate strength beneath the bone screw head **23**. A sheer vertical circumferential wall is best able to constrain the motion of a screw, if the head is similarly configured and there is little tolerance between them. Placing the support of the head near the mid thickness of the plate is preferred as it allows the upper head to remain large to accommodate the recess for the driver without being weakened, while placing the support of the head away from the upper surface of the plate allows the screw head to be deep into the plate. Placing the support of the head at approximately the mid thickness of the plate assures plenty of plate material beneath the head to support while providing adequate head length above and below the

contact point to prevent the contact point from acting as a fulcrum by providing adequate lever arms to prevent unwanted motion.

In the alternative embodiment of bone screw **30'**, as shown in FIG. **25**, bone screw head **32'** is tapered in the direction from the top of the bone screw head **32'** toward screw tip **36'**. Again, the bone screw head **32'** is dimensioned to achieve an interference fit in the associated bone screw receiving hole **6**, **8** when the bone screw **30'** has been fully installed. When this embodiment of bone screw **30'** is employed, bone screw receiving holes **6**, **8** need not be provided with a countersunk region **14**.

In each of the above embodiments of the bone screws, the bone screws **30** and **30'** present a unique combination of a tapered screw shaft **33** and a helical thread **31**. The diameter of screw shaft **33** generally increases from a distal portion of the shaft near the screw tip **36** toward proximal portion of the shaft near screw head **32**. In the preferred embodiment, the rate of increase in diameter is also greater near the bone screw head **32**. Such a shape avoids stress risers and provides increased strength to the screw at the screw-plate junction, where it is needed the most. The tapering of screw shaft **33** may have a concave form, as shown in FIG. **24**, or may be linear. The distal portion of the screw shaft **33** may assume a constant diameter.

The thread **31** of the bone screw **30** has a substantially constant outer, or crest, diameter “d” from below the bone screw head **32** to near the bone screw tip **36**. In the screw tip **36**, the crest diameter of thread **31** may be reduced for preferably one to two turns to facilitate the insertion and penetration of the bone screw **30** into the bone.

In the preferred embodiment, the thread **31** of each bone screw **30** has an outer diameter slightly smaller than the diameter of the lowest portion **35** of the bone screw head **32**, which is adjacent the trailing, or upper, end of the associated thread **31**. In addition, the thread **31** is relatively thin, in the direction of the longitudinal axis of the screw, and tapers outwardly, and has a cross section of a triangle, though the sides need not be straight.

As shown in FIG. **38**, plate holder **870** has a hollow tubular housing **872**, with a central rod **874** having a thread **878** at one end for engaging one of the threaded locking holes **12** in plate **2**. The bottom end of the housing **872** has projections **880**, **882** that extend outwardly and then downwardly to fit into the bone screw receiving holes **8** of plate **2** preventing the housing **872** from rotating. The central rod **874** is located in the housing **872** such that it can be rotated by rotating a handle (not shown) which is fixed to the central rod **874** at its upper end.

In FIG. **39A** an alternative embodiment of the plate holder **890** is shown. A single solid member **890** has a threaded projection **894** at its bottom end for attachment to the central threaded locking hole **12** in the plate. The bottom surface of the holder **890** of this embodiment is contoured so as to match the contours of the top surface of the plate adjacent to the locking hole **12**, shown as a depression **14**.

Referring to FIG. **39B–39D**, an alternative embodiment of the plate holder **890'** is shown. Plate holder **890'** has a hollow tubular housing **872'** having a handle **891'** at its top end and a bottom end **873'** configured for insertion into a bone screw receiving holes **6** of a plate. A rod **874'** having a sharp tip **875'** is contained within housing **872'** and is spring biased by a spring **875'**. A lever **893'** is provided for advancing rod **874'** from within housing **872'**. Lever **893'** has a cammed portion **892'** to lock rod **874'** in position.

The bottom end of the housing **872** is slitted to form projections **880**, **881**, **882**, and **883'** that are moved out-

wardly by the shaft of rod **872'** above tip **875'** in the direction indicated by arrow A when rod **874'** is advanced from within housing **872'** to engage and lock into the bone screw receiving holes **6** of plate **2** preventing the housing **872'** from separating from plate **2**. In this manner the plate holder **890'** functions as both a holder for a plate and also as a temporary plate fixation device to hold the plate in the correct position to the bone prior to the insertion of the bone screws. Further, holder **890'** can be used to form pilot holes for screw insertion into the bone portions.

Certain structural features of hole forming apparatus **60** are shown in greater detail in FIG. **32A**. In particular, it can be seen that the bottom end of housing **62** has a projecting portion **69** dimensioned to fit precisely in a bone screw receiving hole **6** or **8** of plate **2**. The bottom **71** of the projecting portion **69** is flat in a plane perpendicular to the axis of housing **62**. When the projecting portion **69** of housing **62** is snugly inserted into a bone screw receiving hole **6, 8** and the flat bottom **71** is placed flush against the upper surface of plate **2**, it is assured that the leading end **66** of shaft **64** will form a pilot hole in the vertebral bone having an axis perpendicular to the plane of the associated portion of plate **2**, thereby assuring that the bone screw **30** will be subsequently installed so that its axis is also perpendicular to the plane which is parallel to the upper and lower surfaces of the associated portion of plate **2**.

When a plate is used which has a threaded bone screw receiving hole, the lower end of the pilot hole forming apparatus **60** is threaded so as to engage the thread in the bone screw receiving hole **6, 8** thereby fixing the plate and the pilot hole forming apparatus together, assuring a stable fit between the pilot hole forming apparatus and plate **2**. It should be noted that the diameter of the leading end **66** of the shaft **64** is small since it has to fit within the small space left between the inside wall of the pilot hole forming apparatus. Since it is only a pilot hole for a self tapping bone screw **30** that is being formed, the small diameter is satisfactory.

Referring to FIG. **32B**, if for any reason it should be desired to form the pilot hole in the bone **50** by drilling, rather than by the use of the pilot hole forming apparatus **60**, use can be made of a drill guide **80**, having a lower end as shown in FIG. **32B**. The drill **80** guide consists of a tubular member **82** and a small diameter lower end **84** which is dimensioned to achieve a precise interference fit in the associated bone screw receiving hole **6, 8** of plate **2**. Along the small diameter lower end **84**, drill guide **80** has an axial end surface in a plane perpendicular to the longitudinal axis of the drill guide **80** so that when the small diameter portion **84** is fitted into the bone screw receiving hole **6** and the surface surrounding the small diameter portion **84** is flush against the upper surface of plate **2**, the axis of the drill guiding bore **86** in drill guide **80** will be precisely perpendicular to the upper and lower surfaces of the associated portion of plate **2**. As with the case described above, the bottom end of the drill guide **80** can be threaded so as to engage to the threaded opening of plate **2**.

Referring to FIGS. **32C** and **32D**, an alternative embodiment of hole forming apparatus **60'** is shown. Hole forming apparatus **60'** is similar to hole forming apparatus **60**, except that it has a ball end **62'** that fits within bone screw receiving hole **6**. As shown in FIG. **32D**, the ball end **62'** may be oriented at any angle relative to the plate for angular hole formation into the bone. Hole forming apparatus **60'** provides for variable angle preparation of the pilot holes for the bone screws relative to the plate.

After the bone screw receiving holes **6, 8** are formed in the bone **50** through the upper two bone screw securing holes **6**

of plate **2** by means of either hole forming apparatus **60** or drill guide **80**, bone screws **30** are threaded into the bone **50** while holding plate **2** firmly against the bone **50** with plate holder **800**.

FIG. **33** is a perspective view showing plate **2** of FIGS. **1-5**, at a stage of a surgical procedure when bone screws **30** have been fully installed in bones or pieces of the same bone, and locking screws **20, 21** have been rotated to lock three bone screws **30** in place; the left-hand locking screw **20** as viewed has been rotated through an angle of about 45° to lock three bone screws **30** in place and the central locking element **21** has been rotated through an angle of about 90° to lock two other bone screws **30** in place. At this time, one of the bearing surfaces **44** of each locking element **20, 21** rests atop the screw head **32** of a respective bone screw **30**. Ideally locking elements **20, 21** are provided to the user almost fully tightened, but in the open position such that bone screws can be inserted. Full locking of the bone screw requires 90° or less of turning of the locking element and often 45° will suffice to lock the bone screws.

Installation of the multilock locking element **300** can also be performed with a tool **220** such as shown in FIGS. **34A** and **35** having a suitably shaped tip **222** with a length corresponding to the depth of hole **306** in a locking cap **300**. The end **222** of tool **220** is flared just proximal to the most distal end so that it creates a friction fit with the screw cap **300** for ease of manipulation, and prevents the locking element **300** from falling off the tool **200**. As shown in FIG. **34B**, in the alternative, the tool receiving hole **306** can be flared to cooperatively engage a tool having a tip with a corresponding configuration.

FIG. **36** is a cross-sectional view in the plane of the center of the two end locking screw holes **6** of plate **2**, with two bone screws **30** in their installed positions and locking element **21** in its locking position. FIG. **37** is an enlarged view of one of the bone screws **30** in plate **2** of FIG. **36**. In a preferred embodiment, the axis of each screw **30** is generally perpendicular to tangents to the upper and lower surfaces of plate **2** at points which are intersected by the longitudinal axis of the associated bone screw **30**. Thus, because of the curvature of plate **2** in the plane of FIG. **36**, bone screws **30** can be directed so as to converge toward one another at a desired angle. The axis of the two bone screws **30** shown in FIG. **36** may subtend an angle sufficient to cause the paths of bone screws in the same plate to cross within the substance of the bone. Alternatively, the curvature of the plate from side to side may be so as to conform to the surface of the bone to which the plate is being applied and the axis of the paired screw hole may deviate from being perpendicular to the plate when viewed on end to achieve the optimal convergence.

Because the bone screws **30**, once inserted, are locked to the plate, a "claw" of a rigid triangular frame structure is obtained at each pair of bone screws **30** such that the attachment of plate **2** to the bone would be highly secure due to the trapping of a wedged mass of bone material between the angled bone screws, even if any thread stripping should occur. The "claw" may be further formed by three angled bone screws in a tripod configuration or by four bone screws in a four sided claw configuration.

b. Single-Lock Plate Systems

Another embodiment of the present invention, the single locking plate system will now be described. FIGS. **40-45** are views of a first embodiment of a single locking plate system generally referred to by the numeral **600**. Plate **600** has the same contour as plate **2** shown in FIGS. **1-5**. Plate **600** has a bottom surface **27** for placement against bone portions,

wherein a substantial portion of bottom surface 27 is either flat and/or convex along the longitudinal axis of the plate though a lesser portion of bottom surface 27 may be otherwise configured.

In a preferred embodiment, plate 600 contains bone screw receiving holes 602 which are internally threaded 603 for receiving corresponding locking elements in the form of a locking cap 610, shown in FIGS. 49–52. For example, in plate 600, the bone screw hole 602 may have an outer diameter appropriate to the screw diameter appropriate to the bone(s) for which the plating system is to be applied. By way of example only, for use on a long bone such as the humerus, a bone screw of a diameter of 4.0 to 6.5 mm would be used and generally the screw head would be slightly larger in diameter. If a threaded locking cap were to be used then allowing for the space occupied by the cap is threads, the opening in the upper plate surface to receive the locking cap would be similar to generally 0.2 mm to 4.0 mm greater than the screw head size which could be 0.2 mm to 6 mm larger in diameter than the threaded shaft diameter of the bone screw of approximately 5 mm with a preferred range of 4–6 mm though possibly greater. Cap attaching means other than threads may be used, such as bayonet type attachment elements.

The bottom of each bone screw receiving hole 602 of plate 600 has an inwardly stepped portion of properly selected dimensions for retaining an associated bone screw 170, as shown in FIGS. 46–48. As described in greater detail below, in this embodiment, a single locking element in the form of a locking cap 610 having threads 608 shown in FIGS. 49–52, is associated with each of the bone screws receiving holes 602.

The difference between the bone screw 170 used in the single locking embodiment of the plate from the bone screw used in association with the multiple locking plate is essentially due to the fact that whereas in the multiple locking plate embodiment the locking elements slide over a portion of the top 39 of the screw head 32 by a pressing, camming, or ramp action, in the single locking embodiment the locking cap 610 presses directly on the head 172 of the bone screw 170. Therefore, the head 172 of the bone screw 170 of the present embodiment need not be smooth.

FIG. 55 shows two bone screws 170 and associated threaded locking caps 610 in their fully installed positions. In these positions, head portions 174 and 176 of each bone screw 170 form an interference fit with corresponding portions of an associated bone screw receiving hole 602. Rim 612 of each threaded locking cap 610 forms an interference fit with upper portion 178 of the head of its associated bone screw 170. Because the thread 608 of each locking cap 610 mates precisely with the internal thread in an associated bone screw receiving hole 602, each threaded locking cap 610 is additionally subjected to a clamping force between associated head portion 178 and the internal threads 603 of associated bone screw receiving hole 602. Preferably the rounded head 614 of each threaded locking cap 610 assures that the upper surface of an assembled plating system will be free of sharp edges, or projections.

FIG. 45 is a top plan view of the plate 600 partially installed, with threaded locking caps 600 installed in bone screw receiving holes 602.

FIGS. 47–49 show a bone screw 170 for use with the single locking plating system according to the invention. Bone screw 170 differs from bone screw 30 previously described in detail, only with regard to the stepped configuration of head 172. Preferably, bone screw 170 includes a lower portion 174 which is contiguous with the screw shank

and has a reduced diameter equal to the maximum diameter of the shank 176. Portion 178 of head 172 also has smaller diameter than lower portion 174. The thread 182 has the same configuration as for the bone screw 30 discussed above. However, either embodiment of bone screws can be used with any of the plates.

As in the case of the multiple locking plating system described above, the bone screws 170 for use in the single locking plating system are preferably solid, where the screws adjoin the lower plate surface, where as some screws used with prior art plates are hollow and are prone to breakage, the only recess in the heads of the present invention screws being for engagement of the tip 222 of driving tool 220 and with the recess being above the critical area of the lower plate surface screw junction. Therefore, these bone screws 170 remain robust. The screw heads are not deeply slitted into portions as per some prior art screws and the locking caps do not impose a radial outer force to expand the bone screw heads, so again the screw heads of the present invention are not spread apart and stressed and weakened, and so remain robust. It is appreciated that variable angle screws 30' shown in FIG. 30B may be used in association with the single-lock plating system of the present invention.

Referring to FIGS. 59, 61 and 63 another alternative embodiment of the plate system of the present invention is shown and referred to by the number 500. The plate 500 may have any contour as any of the plates of the present invention appropriate for skeletal use and in which a substantial portion of the lower surface of the plate is either flat and/or convex (as shown in FIGS. 95A–95C) along the longitudinal axis of the plate. Associated with each of the bone screw openings 502, are threaded openings 524 offset from the bone screw openings 502 for receiving the locking element 506, 508, shown in FIGS. 60 and 62 as a threaded locking set screw or cap 506 or screw 508. Alternatively, locking element 506 may have a cutout portion with a radius greater than the radius of a bone screw head as is shown in connection with locking element 508 in FIG. 64.

It is appreciated that other configurations of single locking plates may be employed.

Referring to FIGS. 64–67 the heads 507 and 526 of the locking elements 508 and 522 have a recess 510 and 524 corresponding to the radius of the bone screw openings 502 and 528 so that the locking element 508 and 522 may be installed in place prior to the insertion of the bone screw 170 into the bone screw receiving hole 502 and 528. When the locking elements 508 and 522 are rotated, a portion of its head extends over the top of the head of bone screw 170 to lock it in place. As with the above embodiments, the bottom surface of the locking screws 508 and 522 can have a ramped, cammed, or other configuration for engagement with at least a portion of the screw head.

Referring to FIG. 68, a locking plate 900 is shown in which there are a number of bone screw receiving holes 950 along the longitudinal axis of plate 900. With plate 900 of FIG. 68, the close spacing and increased number of bone screw receiving holes permits the surgeon to locate appropriate holes to be aligned with each of the bone portions to be fixated, as well as allowing for more points of fixation to the bone.

2. Crossing Screw Plating System

Referring to FIG. 69A, an alternative embodiment of the plate of the present invention is shown and generally referred to by the numeral 960. The plate 960 has multiple bone screw receiving holes 970 passing through plate 960. The bone screw receiving holes 970 are spaced apart in a staggered configuration such that the center point of each of

the bone screw receiving holes **970** are on transverse lines that are offset from one another. The center point of the bone screw receiving holes **970** are also offset from the midline of plate **970**, but with less longitudinal distance between one another, while providing for sufficient distance between holes **970** to assure plate strength, than plate **900** shown in FIG. **68**.

Referring to FIG. **69B**, an alternative embodiment of plate **960** is shown and generally referred to by the numeral **960'**. Plate **960'** has the same staggered pattern of bone screw holes **970** as plate **960** to permit crossing over of two bone screws **30**. In addition, plate **960'** has an overall configuration suitable for use in the spine including the anterior cervical spine. For such use, an embodiment could have openings **910** in lobed portions at the corner of plate **960'** and recesses **930** for use with a compressing apparatus. Plate **960** could have additional pairs of lobes along the plate length. It is appreciated that the overall configuration of plate **960'** can vary as can the offset pattern of the bone screw holes.

As shown in FIG. **70A**, the offset pattern of bone screw receiving holes **970** permits longer bone screws **30** to be used than would otherwise be possible if the screws were aligned in transverse pairs without having bone screws **30** touch each other, due to the fact that the bone screws **30** are in different planes, and each bone screw **30** gets to travel a much longer diagonal path in crossing the sagittal midline, providing greater fixation.

In the preferred embodiment of plate **960**, the shafts of two bone screws **30** cross over in close proximity to each other and define an included angle **IA** preferably between 25 to 90 degrees. Such a crossed configuration of bone screws **30** provides an extremely stable engagement of plate **960** to the bone as they are diagonally crossed within the same bone, thus trapping an area of bone between them.

For example, as shown in FIGS. **70B–70D**, end views of alternative embodiments of plate **960'** are shown wherein the bottom surface of the plate may be in the transverse plane relatively flat, curved, or otherwise configured to fit the surface configuration of the bone or bones to which the plate is to be applied. As shown in FIGS. **70E** and **70F**, plates **960'** overall are generally shaped to conform to the bone(s) **B** to which they are applied.

3. Segmentable Plating System

Referring to FIG. **73**, a further embodiment of the present invention in the form of a segmentable plate generally referred to by the number **1000** is shown in an separated state. Segmentable plate **1000** has an elongated body with a plurality of bone screw receiving holes **1010** spaced apart along a substantial portion of the length of the segmentable plate **1000**. Segmentable plate **1000** has a multiple locking system **1020** for locking bone screws to plate **1010** as described above in connection with multi-lock plate **2** shown in FIGS. **1–7**. Plate **1000** is preferably, but not limited to being made of a malleable material, such as titanium or one of its surgically acceptable alloys.

Plate **1000** comprises a plurality of segments **1030–1038** which can be separated from each other. A first segment **1030** of plate **1000** is marked by a segmentation zone **1040** along which the plate may be separated to separate first segment **1030** from the remainder of plate **1000**. Segmentation zone **1040** can be any type of scoring which creates a place of least resistance along which when the plate **1000** is bent sufficiently to create a separation in the material of plate **1000**, the separation will occur along the segmentation zone. By way of example only, in an anterior cervical plate having a thickness of 3 mm segmentation zone **1040** may be formed by removing approximately 0.25 mm to 0.5 mm of material

in total from the upper surface, lower surface or both upper and low plate surfaces combined of the plate. The scoring can be relatively thicker or thinner in width, variable in depth and of variable shape (e.g. “V” notched, rounded, etc.) to achieve the desired qualities.

If plate **1000** is made of titanium, the inherent qualities of titanium are such that the plate may be separated simply by bending the plate sufficiently along segmentation zone **1040** while supporting the plate with appropriate plate holders to either side of segmentation zone **1040** and then bending the plate towards its original position at which time the plate will separate apart along the segmentation zone **1040**, providing a sufficiently clean edge suitable for surgical use.

In use in the cervical spine as few as, only four different segmentable plates **1000** may be required to cover the wide range of different longitudinal spacing distances between bone screw receiving holes **1010** for application to one to four levels of the cervical spine. For example, a set of four segmentable plates **1000** to cover the various combinations required for application to one to four levels of the cervical spine would include a first segmentable plate having a first segment with a spacing distance between the bone screw receiving holes of 10 mm, and subsequent segments similarly spaced at 10 mm intervals between the holes; a second segmentable plate having a first segment with a spacing distance between the bone screw receiving holes of 12.5 mm, and subsequent segments spaced at 12.5 mm intervals between the screw holes; a third segmentable plate having a first segment with a spacing distance between the bone screw receiving holes of 15 mm and subsequent segments spaced apart at 15 mm intervals between the holes; and a fourth segmentable plate having a first segment with a spacing distance between the bone screw receiving holes of 17.5 mm and subsequent segments spaced apart at 17.5 mm intervals between the holes.

The longitudinal spacing between the bone screw receiving holes **1010** may be varied by changing the length of the portion of plate **1000** between bone screw receiving holes **1010** as illustrated by the dotted lines in FIG. **74**.

While the described plates may be separable into a multitude of usable portions, as would be desirable for manufacturing purposes and possibly for clinical use, because of regulatory issues involving the identification of each implant with a distinct and singular implant identification number for tracking purposes it may be desirable to configure the plates of the present invention such that each plate will yield only one usable portion. In order to accomplish this goal, the segmentation zone **1040** is made as shown in FIG. **79**, such that the unused, separated pieces of the segmentable plates would not be usable as plates and would be discarded.

The ability to separate a plate into segments also provides significant advantages in the manufacturing process. By way of example, in the process of investment casting, a process commonly used to produce plates, the cost of the material is not as significant as the labor involved in the manufacturing. Therefore, the manufacturer can cast one long segmentable plate which can then be separated in the later manufacturing stages to yield multiple plates at an overall lower cost. Similarly, if the plate were in the alternative to be manufactured by machining from solid stock, great labor could be saved by fixturing and securing a single long plate that is later separable into multiple plates rather than having to fixture and secure each of those plates individually.

Referring to FIGS. **75–79**, various segmentable plates **1300–1700** are shown for application in reconstructive surgery. Plates **1300–1700** have bone screw receiving holes

1310–1710, locking elements 1320–1720, and separation zones 1340–1740 respectively. For example, during repair of a broken eye socket, the segmentable plates 1300–1700 can be used to align and maintain the broken bone portions in correct spatial relationship. The curved characteristics of an eye socket would require the plate used to repair the socket to match the curvature. The segmentable plates 1300–1700 are made of a malleable metal, the malleability of which is enhanced by the segmentation of the plate, and can be easily contoured by the surgeon to the appropriate curvature. The correct length of the segmentable plate can also be easily be selected by the surgeon by separating the plate at the appropriate segment as described above in connection with plate 1000 shown in FIG. 73.

It should be noted that if for example surgical titanium alloy is selected for the plate material, then the separation zones allow the plate to be more easily bent, but without separating. The present invention makes a virtue of the material property of that alloy in that it may be bent without damage, but fails with surprisingly little force if first bent and then bent back. Back bending is therefore only done for plate separation and is not needed for contouring which requires only primary bending.

Referring to FIGS. 80 and 81, alternative embodiments of the segmentable plate are shown and generally referred to by the numeral 1800 and 1900. Plates 1800–1900 having locking elements 1820 that are inserted into bone screw receiving holes 1810 and correspond to the single lock plate configuration described above in connection with FIGS. 40–49. Segmentable plates 1800–1900 may be segmented at segmentation zones 1840 and 1940 as described above in connection with the multiple lock embodiment of the segmentation plate 1000.

4. Combination Screw-Lock-Plating System

a. Passive Dynamic

Referring to FIGS. 82–84 the passive dynamic system 2000 is shown having a plate with a screw hole 2010 passing through the top and bottom surfaces of the plate 2020 for receiving a bone screw 2030. The screw hole 2010 has a round opening 2040 at the top of the plate 2020 and an opening 2050 in the bottom of the plate that is in part coaxial with the top opening 2040, but extends in one direction to form an oblong. The rounded head 2032 of bone screw 2030 is prevented from backing out of plate 2020 with a locking element 2060 that is engaged to plate 2020, while the shaft of bone screw 2030 is capable of angular motion in the direction of arrow A relative to plate 2020, since there is space in the oblong-shaped bottom opening 2040 of the screw hole 2010 for the shaft of the bone screw 2030 to travel in the one permitted direction relative to the plate 2020.

The passive dynamic system allows bone screw 2030 to move relative to plate 2020 even after being locked to plate when a force is presented against the screw. This system does not cause screw movement, but only allows for movement of the screw to occur and this is a “passive” system. Nevertheless, screw 2030 retains the ability to resist any unwanted motion in all other directions. The use of variable screw 30' as already described may also allow for passive dynamic action, but is not generally preferred as it does not limit the motion to but a single direction.

b. Self-Compressing

Referring to FIGS. 85–88, a self-compressing system 2100 is shown comprising a plate 2120 having a bone screw receiving 2110 hole with a top opening 2140 that is preferably but not necessarily round, and having a rounded recessed portion 2142 is shown. The bone screw receiving

hole has bottom opening 2150 that is smaller in diameter than the top opening 2140 and has a central longitudinal axis 2153 that is offset from the central longitudinal axis 2151 of the top opening 2140. The bone screw has a rounded head portion 2132 which fits within the rounded bottom 2142 of the top opening 2140 and permits movement of the screw head 2132 within the top opening in order to provide the appropriate angle A of the bone screw shaft with respect to the plate 2120 as the bone screw shaft passes through the bottom opening 2150.

In the self-compressing system, as the bone screw 2130 is being locked to the plate 2120 with a locking element 2160, the locking element 2160 puts pressure on the bone screw head 2132 to make the bone screw 2130 move in one direction. The bone screw 2130 cannot move back once it is locked to the plate 2120 by the locking element 2160. The purpose of the self-compressing system 2100 is to provide a fixed and locked angle A on the bone screw 2130 for providing compression of bone portions.

c. Active Dynamic

Referring to FIGS. 89–92, the active dynamic system 2200 of the present invention is shown comprising a screw 2230 that is mounted to a plate 2220 under a spring loaded force, such as with a Belleville type washer 2270 that applies a selected force to the screw 2230. The bone screw 2230 will move in the direction of the force that is being applied as bottom opening 2250 of the bone screw receiving hole is oblong shaped. For example, the big end 2272 of the spring formed by washer 2270 bears down on the screw head 2232 away from the direction that the bone screw 2230 is to be moved. For any given use, (plate, screw, hole, and spring) it is simple to determine correct resistance, that being an amount less than would separate the bone.

Referring to FIGS. 93–94, the washer 2270 may also have a tab 2290 which fits into a recess 2292 formed within the top opening in order to facilitate proper orientation of the washer when placed within the opening or alternatively the washer 2270 may have a non-circular shape so as to not rotate when positioned.

In an active dynamic system, a pre-loaded force is applied to a bone screw that keeps the screw in a certain orientation with respect to the plate. The bone screw will only move further in the pre-oriented direction if there is space available and if there is no opposing force present to counteract the pre-loaded force on the screw. These teachings may be readily and beneficially combined so as to for example form a system that compresses on full screw seating, continues to urge the bone portions together, and can permit still further shortenings.

Referring to FIGS. 95A–95C, an alternative embodiment of a plate of the present invention is shown and generally referred to by the numeral 3000. Plate 3000 has a bottom surface 3027 that is convex along a substantial portion of the longitudinal axis of the plate and is concave along the transverse axis of the plate 3000. Plate 3000 has a single-locking element 3022 for locking a single bone screw 3030 to plate 3000.

Referring to FIGS. 96A–96C, an alternative embodiment of a plate of the present invention is shown and generally referred to by the numeral 3100. Plate 3100 has a bottom surface that is flat along a substantial portion of the longitudinal axis of the plate and is concave along the transverse axis of the plate. Plate 3100 has a multiple locking element 3120 for locking two bone screws 3130 and single locking elements 3122 for locking individual bone screws 3130 to plate 3100. Bone screw receiving holes 3140 are staggered such that the center point of each of the bone screw receiving

holes **3142** and **3144** are on transverse lines that are offset from one another. The center point of the bone screw receiving holes **970** are also offset from the midline of plate. The shafts of two bone screws **30** cross over in close proximity to each other and define an included angle **IA** 5 between 25 to 90 degrees. Such a crossed configuration of bone screws **30** provides an extremely stable engagement of plate **960** to the bone as they are very close together and diagonally crossed within the same bone, thus trapping an area of bone between them.

Plate **3100** comprises a plurality of segments **3150–3156** which can be separated from each other. A first segment **3150** of plate **3100** is marked by segmentation zones **3160–3164** along which the plate may be separated to separate segments **3150**, **3152**, **3154**, or **3156** from the remainder of plate **3100**. Segmentation zones **3160–3164** can be any type of scoring which creates a place of least resistance along which when the plate **3100** is bent sufficiently to create a separation in the material of plate **3100**, the separation will occur along the segmentation zone.

It is appreciated that plate **3100** may include one or more of the screw-lock-plating systems **2000**, **2100**, or **2200** described above in FIGS. **82–84**.

Referring to FIGS. **97A–97D**, an alternative embodiment of a plate of the present invention is shown and generally referred to by the numeral **3200**. Plate **3200** has a bottom surface that is flat along a substantial portion of the longitudinal axis of the plate and is concave along the transverse axis of the plate and has an upper surface that is concave along the transverse axis of the plate **3200**.

As shown in FIG. **97D**, plate **3000** may include one or more of the screw-lock-plating systems **2000**, **2100**, or **2200** described above in FIGS. **82–84**.

While particular embodiments of the present invention have been shown and described, it will be obvious to those skilled in the art that changes and modifications may be made without departing from this invention in its broader aspects and, therefore, the aim in the appended claims is to cover all such changes and modifications as fall within the true spirit and scope of this invention.

While specific innovative features may have been presented in reference to specific examples, they are just examples, and it should be understood that various combinations of these innovative features beyond those specifically shown are taught such that they may now be easily alternatively combined and are hereby anticipated and claimed.

What is claimed is:

1. A skeletal plating system for aligning and maintaining bone portions of the same bone or of different bones in a selected spatial relationship for healing or fusion of the bone portions, comprising:

a plate having a length sufficient to span at least two bone portions, said plate having an upper surface and a lower surface for placement against the bone portions, said lower surface being flat along a substantial portion of the longitudinal axis of said plate and being concave along the transverse axis of the plate, said plate having a plurality of bone screw receiving holes extending through said plate from said upper to lower surface, at least a first of said plurality of bone screw receiving holes associated with a first of the bone portions and at least a second of the said plurality of bone screw receiving holes associated with a second of the bone portions, said plate having a recess for retaining a locking element for locking bone screws in said bone screw receiving holes, said recess having a central

longitudinal axis offset from a transverse line passing through the central longitudinal axes of said first and second bone screw receiving holes; and

a multiple locking element for locking to said plate at least two bone screws insertable into one of said plurality of bone screw receiving holes, said locking element movably engageable in said recess and being movable from at least a first position to a second position, said locking element being configured so as to permit insertion of bone screws into each of said first and second bone screw receiving holes when in said first position, and said head bearing against at least a portion of at least one of said bone screws in said first and second bone screw receiving holes when moved to said second position.

2. The plate of claim **1** in which said recess has a threaded portion.

3. The plate of claim **1** in which said locking element comprises a rivet.

4. The plate of claim **1** in which said locking element lock at least three bone screws.

5. The plate of claim **1** in which said locking element locks at least four bone screws.

6. The plate of claim **1** in which said locking element is permanently attached to said plate.

7. The plate of claim **1** in which at least a portion of said lower surface comprises a bone ingrowth material.

8. The plate of claim **1** in which at least a portion of said lower surface comprises a bone growth material.

9. The plate of claim **1** further comprising at least one segmentation zone in which said plate may be separated into more than one segment.

10. The plate of claim **1** in which at least one of said first bone screw receiving holes has a round opening at said upper surface of said plate and an oblong opening at said lower surface of said plate, said oblong opening being coaxial at least in part with said round opening, wherein when a bone screw is inserted into said bone screw receiving hole and locked to said plate, the bone screw is capable of passive motion relative to said plate.

11. The plate of claim **10** further comprising means for applying a selective force to the screw head of a bone screw inserted into said bone screw receiving hole and locked to said plate for causing active motion of the bone screw relative to said plate.

12. The plate of claim **1** in which at least one of said bone screw receiving holes has a first opening at said upper surface of said plate with a rounded seat and having an second opening at said lower surface of said plate, said second opening having a central longitudinal axis offset from the central longitudinal axis of said first opening, wherein when a bone screw is inserted into said bone screw receiving hole and locked to said plate, for providing a fixed and locked angle of the bone screw relative to said plate.

13. A skeletal plating system for aligning and maintaining bone portions of the same bone or of different bones in a selected spatial relationship for healing or fusion of the bone portions, comprising:

a plate having a length sufficient to span at least two bone portions, said plate having an upper surface and a lower surface for placement against the bone portions, said lower surface being convex along a substantial portion of the longitudinal axis of said plate, said plate having a plurality of bone screw receiving holes extending through said plate from said upper surface to lower surface, at least a first of said plurality of bone screw receiving holes associated with a first of the bone

29

portions and at least a second of said plurality of bone screw receiving holes associated with a second of the bone portions; and

a multiple locking element for locking to said plate at least two bone screws insertable into at least two of said plurality of bone screw receiving holes, respectively.

14. The plate of claim 13 further comprising a recess wherein said locking element is movably engageable in said recess and is movable from at least a first position to a second position, said locking element being configured so as to permit insertion of at least one bone screw into each of said first and second bone screw receiving holes when in said first position, and said locking element being configured so as to bear against at least a portion of each of the bone screws in said first and second bone screw receiving holes when moved to said second position.

15. The plate of claim 13 in which said locking element is permanently attached to said plate.

16. The plate of claim 13 in which said locking element is pre-installed prior to the insertion of bone screws into said bone screw receiving holes.

17. The plate of claim 13 in which said locking element locks at least three bone screws.

18. The plate of claim 13 in which said locking element comprises a rivet.

19. The plate of claim 13 in which said locking element locks at least four bone screws.

20. The plate of claim 13 having a recess associated with at least two of said plurality of bone screw receiving holes, said locking element being movable in said recess from a first position to a second position, said locking element being configured so as to permit insertion of at least one bone screw into at least two of said plurality of bone screw receiving holes when in said first position.

21. The plate of claim 13 in which at least two of said bone screw receiving holes are paired, at least a first bone

30

screw receiving hole in said paired bone screw receiving holes being staggered from a second bone screw receiving hole in said pair, and the center points of said first and second paired bone screw receiving holes being on different transverse lines along the transverse axis of said plate such that the central longitudinal axes of said first paired bone screw receiving holes form an included angle to each other greater than 25 degrees and less than 90 degrees.

22. The plate of claim 13 further comprising at least one segmentation zone in which said plate may be separated into more than one segment.

23. The plate of claim 13 in which at least one of said first bone screw receiving holes has a round opening at said upper surface of said plate and an oblong opening at said lower surface of said plate, said oblong opening being coaxial at least in part with said round opening, wherein when a bone screw is inserted into said bone screw receiving hole and locked to said plate, the bone screw is capable of passive motion relative to said plate.

24. The plate of claim 23 further comprising means for applying a selective force to the screw head of a bone screw inserted into said bone screw receiving hole and locked to said plate for causing active motion of the bone screw relative to said plate.

25. The plate of claim 13 in which at least one of said bone screw receiving holes has a first opening at said upper surface of said plate with a rounded seat and has a second opening at said lower surface of said plate, said second opening having a central longitudinal axis offset from the central longitudinal axis of said first opening, wherein when a bone screw is inserted into at least one of said bone screw receiving holes and locked to said plate, there is provided a fixed and locked angle of the bone screw relative to said plate.

* * * * *