



US00D359562S

United States Patent [19]

[11] Patent Number: **Des. 359,562**

Michelson

[45] Date of Patent: **** Jun. 20, 1995**

[54] **ADJUSTABLE SURGICAL FRAME**

Attorney, Agent, or Firm—Lewis Anten; Amedeo Ferraro

[76] Inventor: **Gary K. Michelson**, 438 Sherman Canal, Venice, Calif. 90291

[57] **CLAIM**

[**] Term: **14 Years**

The ornamental design for the adjustable surgical frame, as shown.

[21] Appl. No.: **11,952**

DESCRIPTION

[22] Filed: **Aug. 18, 1993**

FIG. 1 is a front view of the adjustable surgical frame showing my new design;

[52] U.S. Cl. **D24/184**

FIG. 2 is a left side view of the adjustable surgical frame of **FIG. 1**. The right side view is a mirror image of the left side view;

[58] Field of Search D24/184, 188; 606/61, 606/55, 53, 54; 5/630, 621, 600, 601; 602/39, 32-35

FIG. 3 is a rear view of the adjustable surgical frame of **FIG. 1**;

[56] References Cited

U.S. PATENT DOCUMENTS

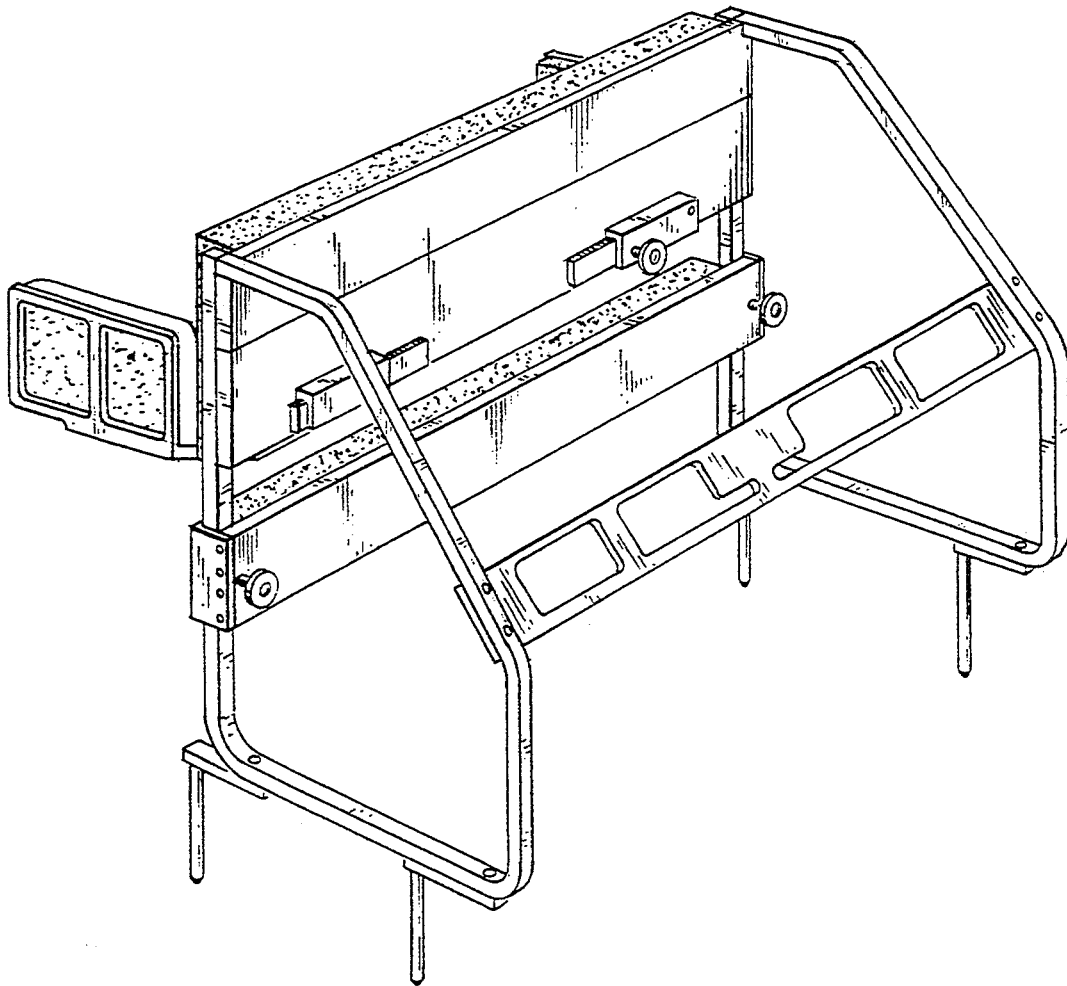
2,152,734	4/1939	Ford	5/630 X
2,764,150	9/1956	Ettinger et al.	602/39
5,239,716	8/1993	Fisk	5/630

FIG. 4 is a top view of the adjustable surgical frame of **FIG. 1**;

FIG. 5 is a bottom view of the adjustable surgical frame of **FIG. 1**; and,

FIG. 6 is a rear side perspective view of the adjustable surgical frame of **FIG. 1**.

Primary Examiner—Stella Reid



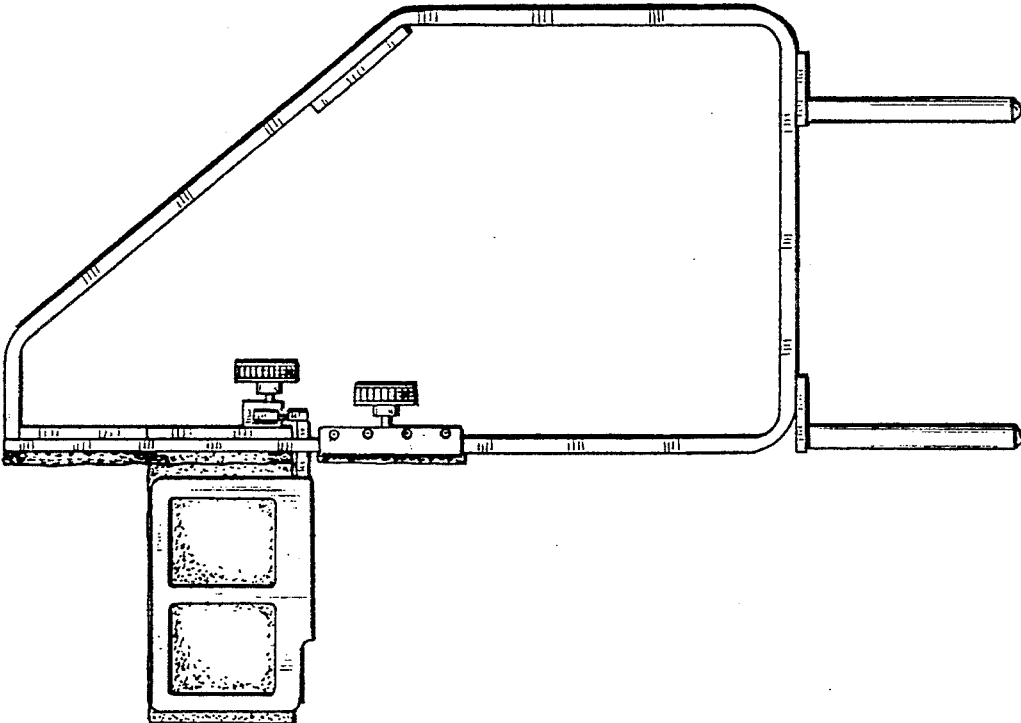


FIG. 2

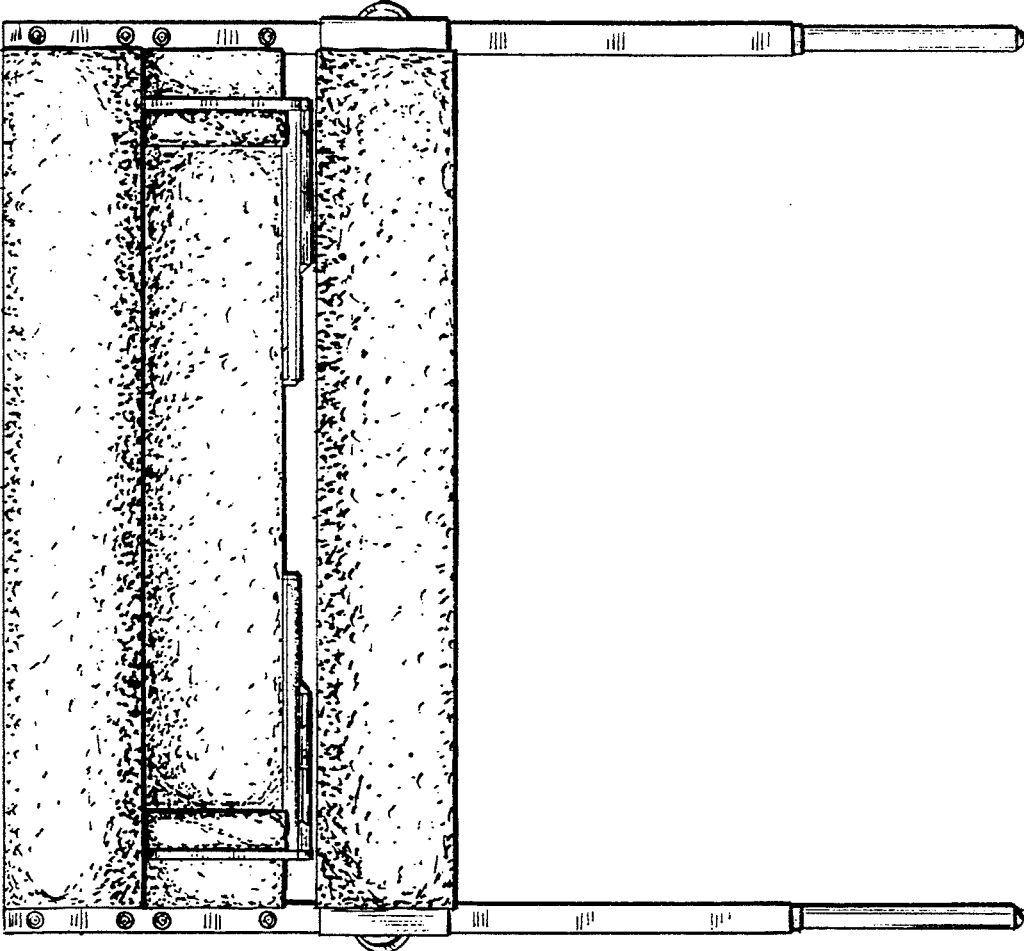


FIG. 1

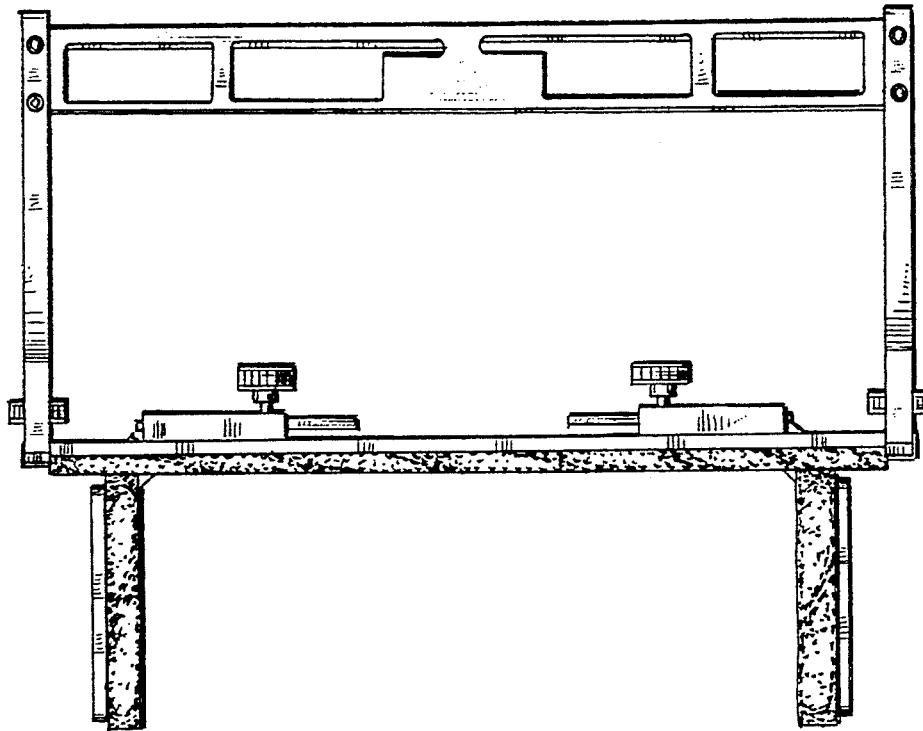


FIG. 4

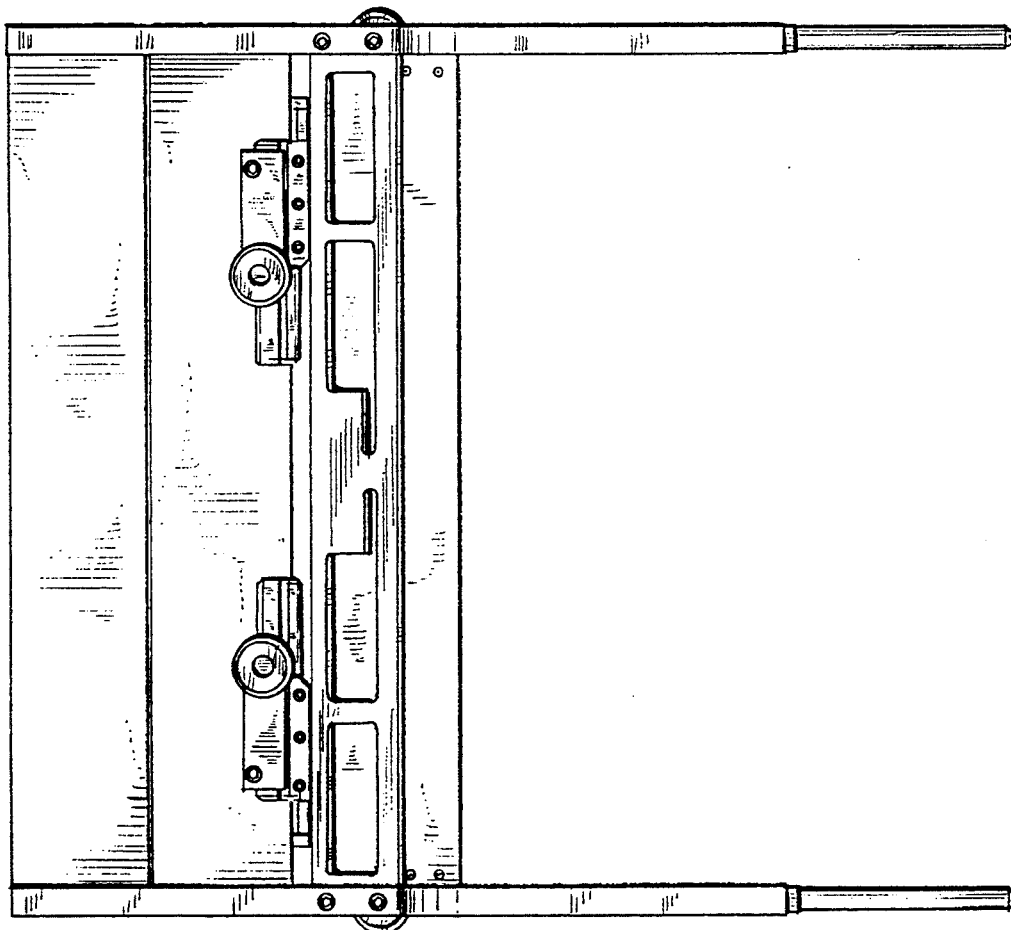


FIG. 3

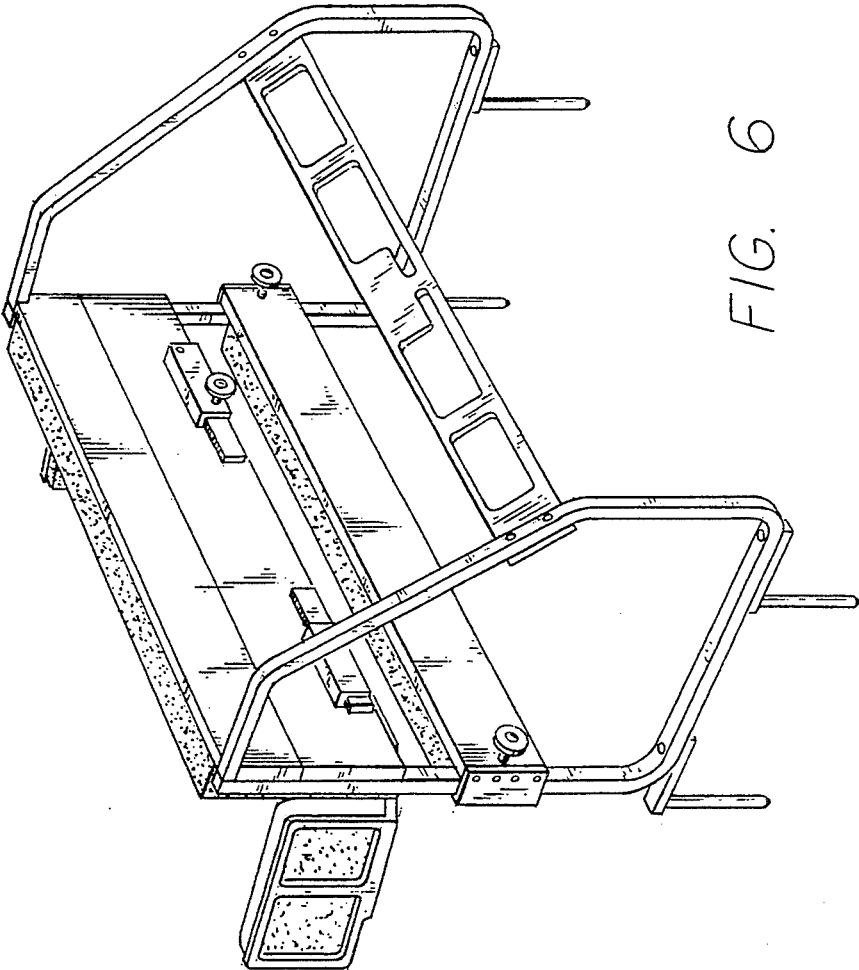


FIG. 6

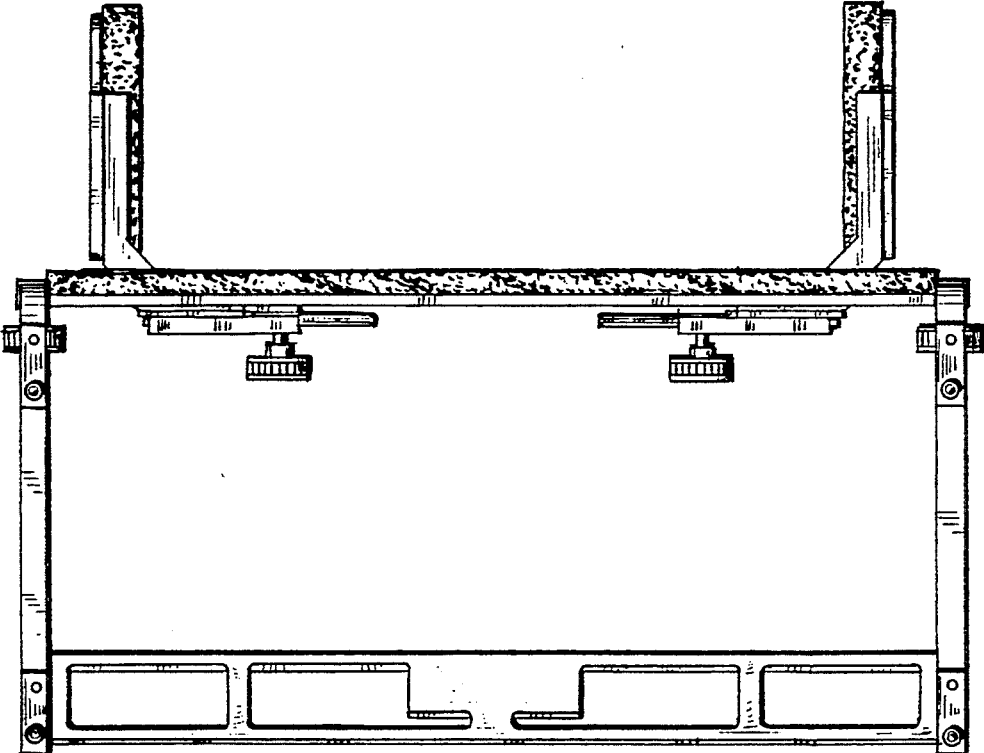


FIG. 5