



US00D358642S

United States Patent [19]

[11] Patent Number: **Des. 358,642**

Michelson

[45] Date of Patent: **** May 23, 1995**

- [54] **GOOSENECK SURGICAL INSTRUMENT HOLDER**
- [76] Inventor: **Gary K. Michelson**, 438 Sherman Canal, Venice, Calif. 90291
- [**] Term: **14 Years**
- [21] Appl. No.: **11,060**
- [22] Filed: **Jul. 26, 1993**
- [52] U.S. Cl. **D24/140; D24/133**
- [58] Field of Search **D24/138, 127, 128, 133, D24/140; 248/160, 276, 288.5, 288.3, 230, 231; 128/20, 4, 6, 8, 7; 604/283**

Attorney, Agent, or Firm—Lewis Anten; Amedeo Ferraro

[57] CLAIM

The ornamental design for a gooseneck surgical instrument holder, as shown and described.

DESCRIPTION

FIG. 1 is a perspective view of a gooseneck surgical instrument holder showing my new design;
 FIG. 2 is a to view of the gooseneck surgical instrument holder of FIG. 1;
 FIG. 3 is a bottom view of the gooseneck surgical instrument holder of FIG. 1;
 FIG. 4 is a right side view of the gooseneck surgical instrument holder of FIG. 1. The left side view of the gooseneck surgical instrument holder is a mirror image of the right side view of FIG. 4;
 FIG. 5 is an rear end view of the gooseneck surgical instrument holder of FIG. 1; and,
 FIG. 6 is a end front view of the gooseneck surgical instrument holder of FIG. 1.
 The broken line showing of the adjustment handle and sliding support frame in FIGS. 1 through 6 is for illustrative purposes only and forms no part of the claimed design.

- [56] **References Cited**
- U.S. PATENT DOCUMENTS**
- D. 235,107 5/1975 Adler D24/133 X
- D. 293,470 12/1987 Adler D24/140
- 3,584,822 6/1971 Oram 248/160
- 4,827,926 5/1989 Carol 604/283 X
- 4,867,404 9/1989 Harrington et al. 248/276 X
- 4,949,927 8/1990 Madocks et al. 248/160 X
- 5,284,130 2/1994 Ratliff 128/20

Primary Examiner—A. Hugo Word
Assistant Examiner—I. Simmons

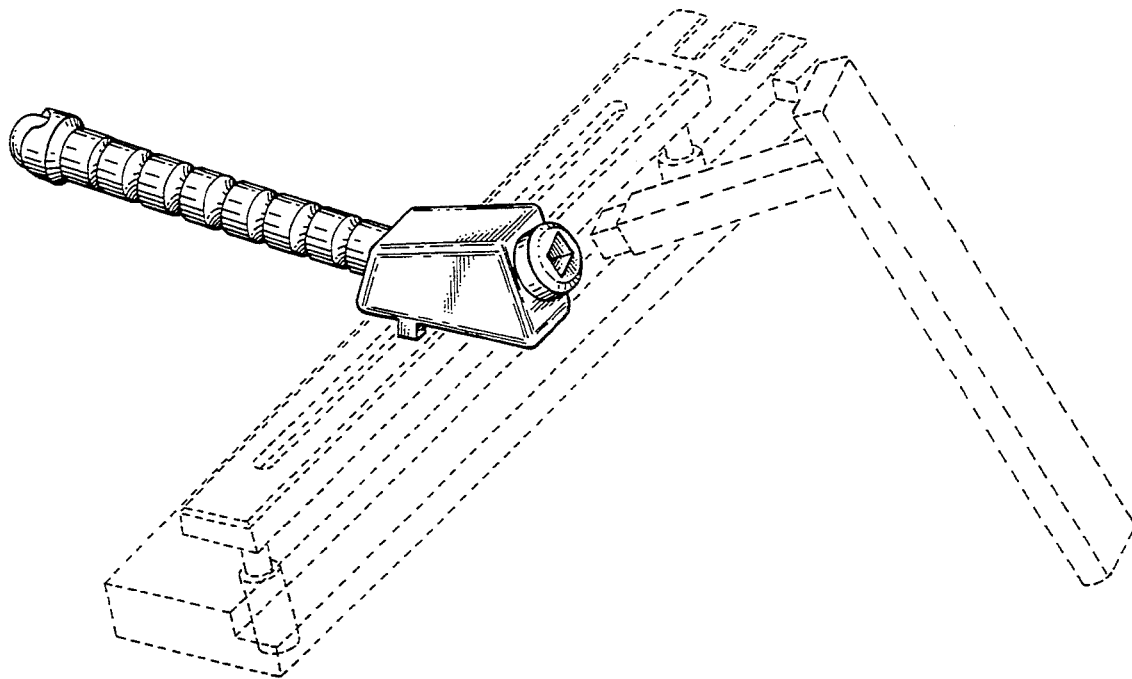
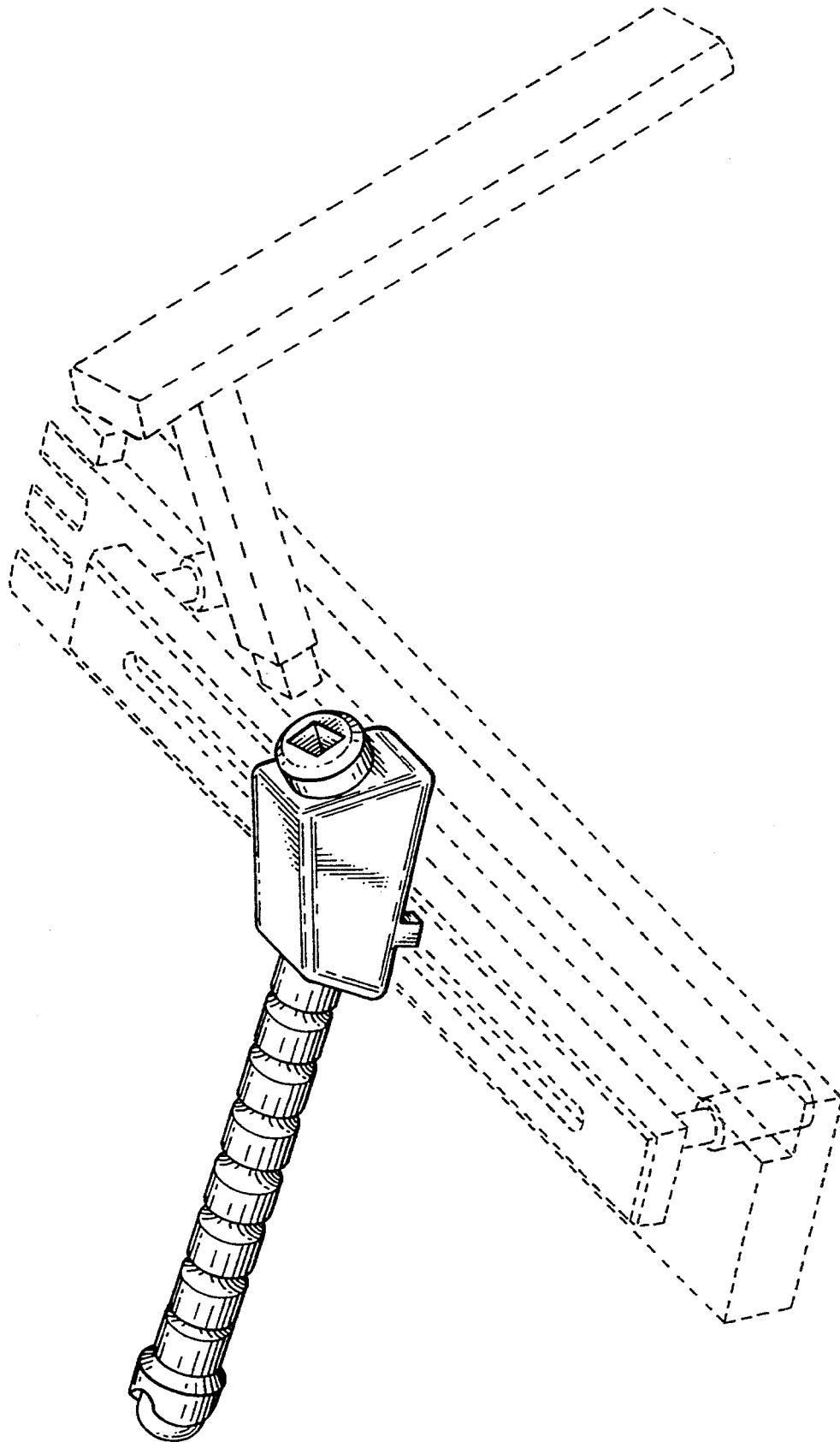


FIG. 1



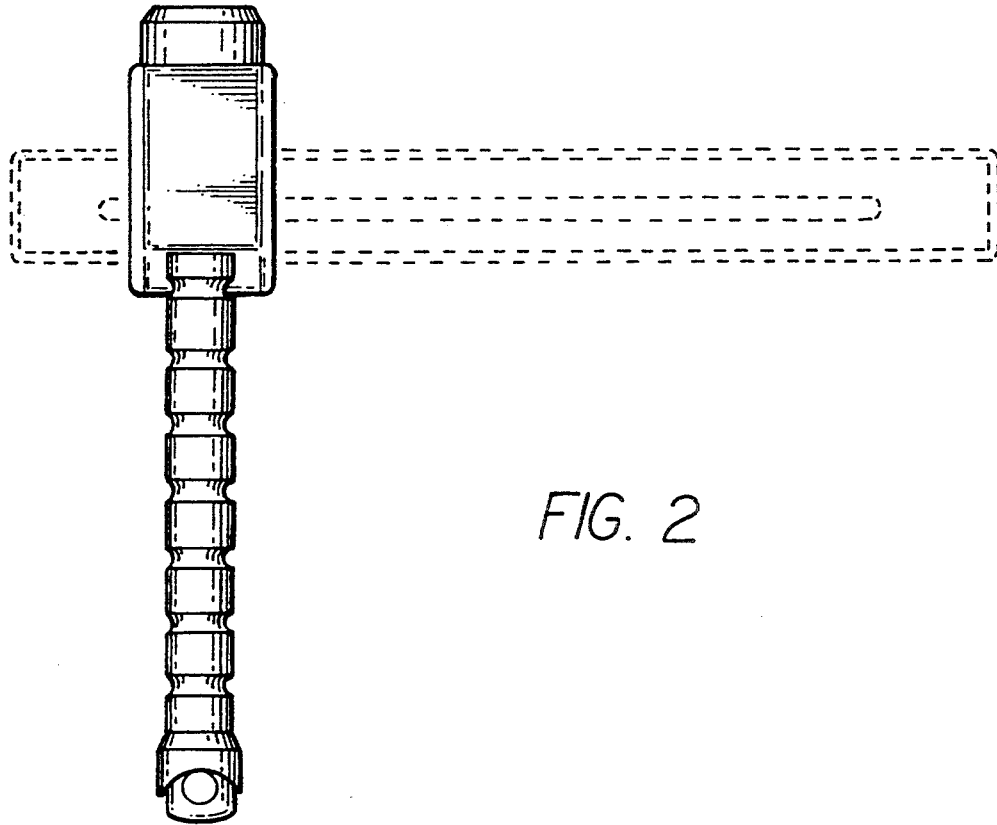


FIG. 2

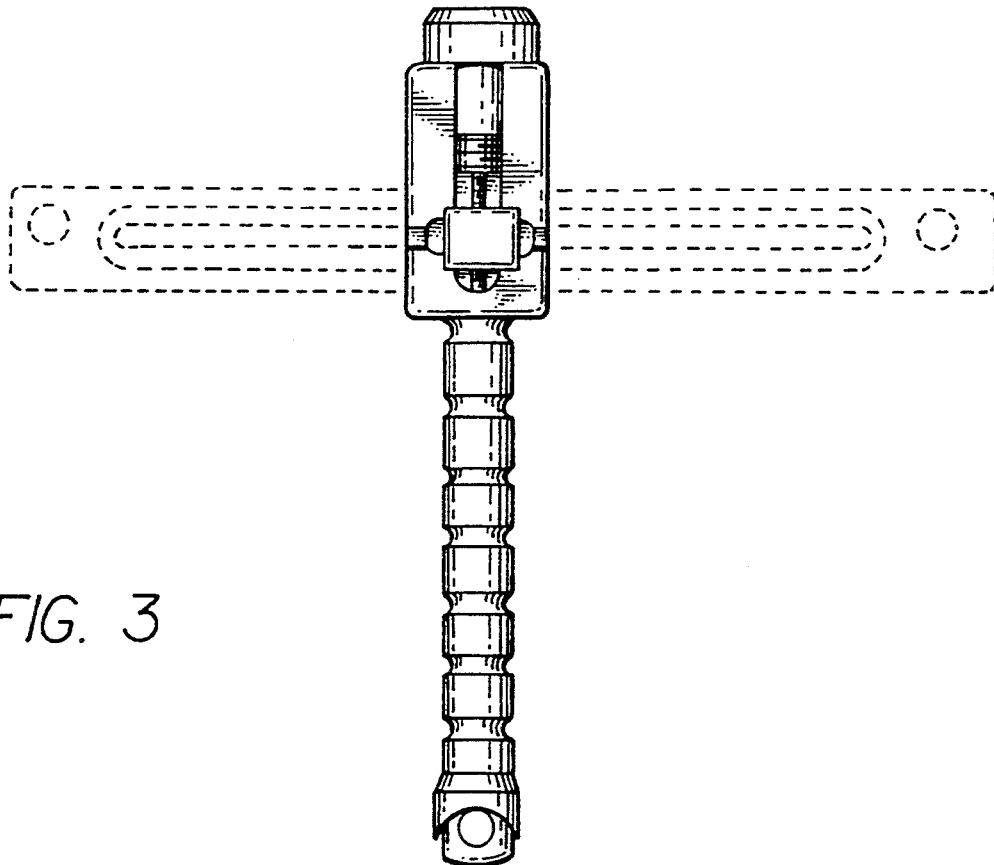


FIG. 3

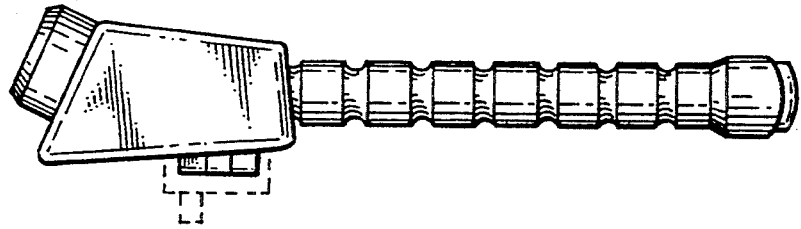


FIG. 4

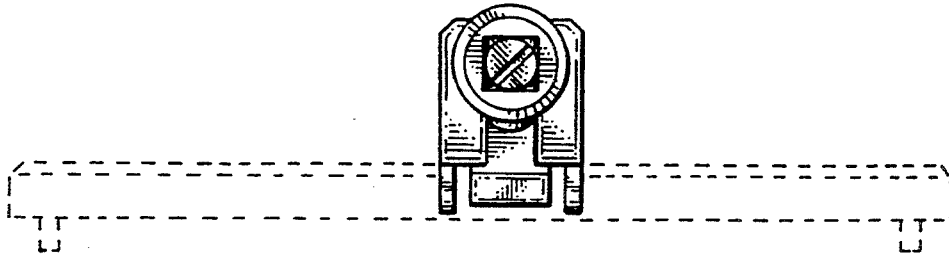


FIG. 5

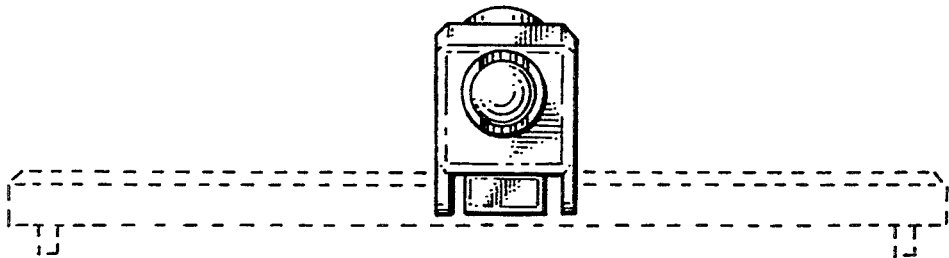


FIG. 6