



US00D324424S

United States Patent [19]

[11] Patent Number: **Des. 324,424**

Michelson

[45] Date of Patent: **** Mar. 3, 1992**

[54] **SPINAL OSTEOTOME**

[57] **CLAIM**

[76] Inventor: **Gary K. Michelson**, 438 Sherman Canal, Venice, Calif. 90291

The ornamental design for a spinal osteotome, as shown and described.

[*] Notice: The portion of the term of this patent subsequent to Jul. 30, 2005 has been disclaimed.

DESCRIPTION

[**] Term: **14 Years**

FIG. 1 is a right perspective view of a spinal osteotome showing my new design;

[21] Appl. No.: **121,596**

FIG. 2 is a top plan view thereof, the bottom plan view being identical thereto;

[22] Filed: **Nov. 16, 1987**

FIG. 3 is a front elevational view thereof, the rear elevational view being identical thereto;

[52] U.S. Cl. **D24/147**

FIG. 4 is a left side elevational view thereof;

[58] Field of Search **D24/26, 28; 606/84, 606/85, 82, 79, 177**

FIG. 5 is a right side elevational view thereof;

[56] References Cited

U.S. PATENT DOCUMENTS

3,667,470	6/1972	Rubin	606/84
3,716,057	2/1973	Rubin	606/84
3,986,512	10/1976	Walliser	606/177 X
4,150,675	4/1979	Comparetto	606/84
4,600,005	7/1986	Hendel	606/84

FIG. 6 is a right perspective view of a first alternate embodiment of FIG. 1;

FIG. 7 is a top plan view thereof, the bottom plan view being identical thereto;

FIG. 8 is a front elevational view thereof, the rear elevational view being identical thereto;

FIG. 9 is a left side elevational view thereof;

FIG. 10 is a right side elevational view thereof;

FIG. 11 is a right perspective view of a second embodiment of FIG. 1;

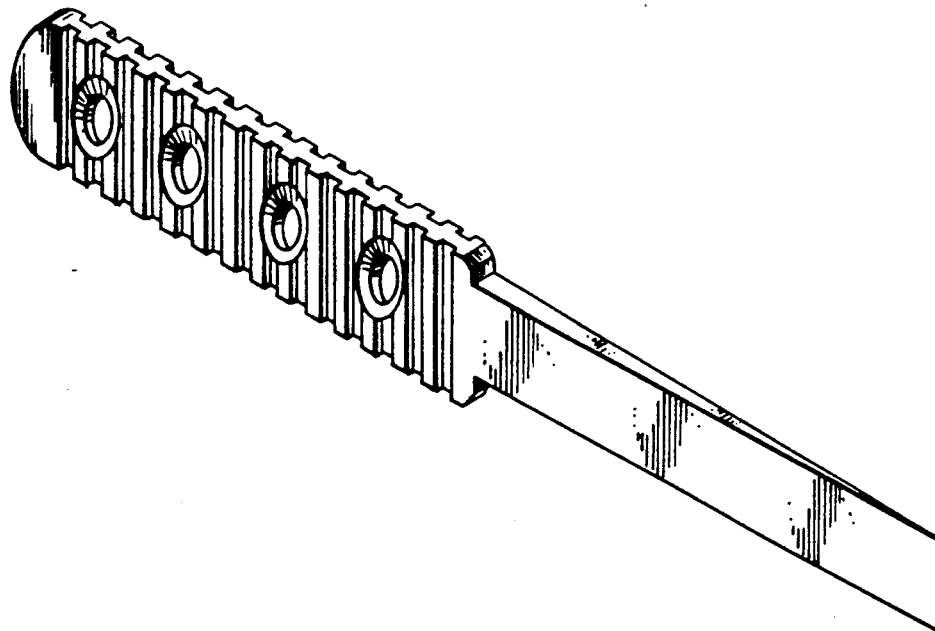
FIG. 12 is a top plan view thereof, the bottom plan view being identical thereto;

FIG. 13 is a front elevational view thereof, the rear elevational view being identical thereto;

FIG. 14 is a left side elevational view thereof; and

FIG. 15 is a right side elevational view thereof.

Primary Examiner—Stella Reid
Attorney, Agent, or Firm—Lewis Anten



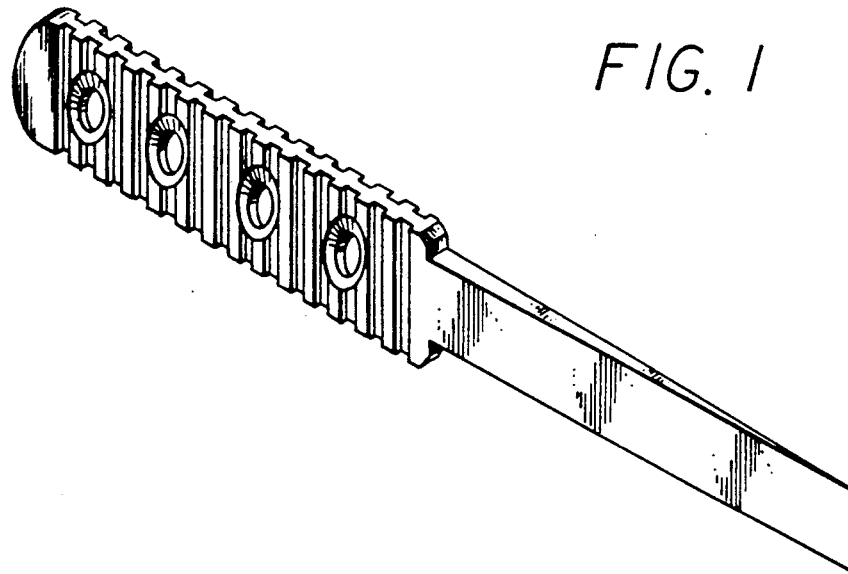


FIG. 1

FIG. 2

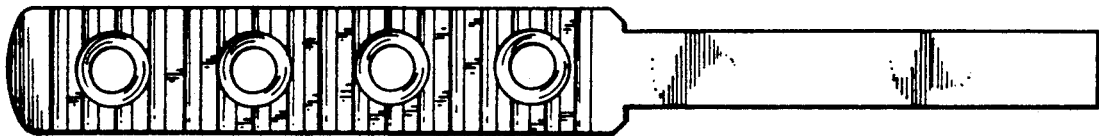


FIG. 3



FIG. 4



FIG. 5

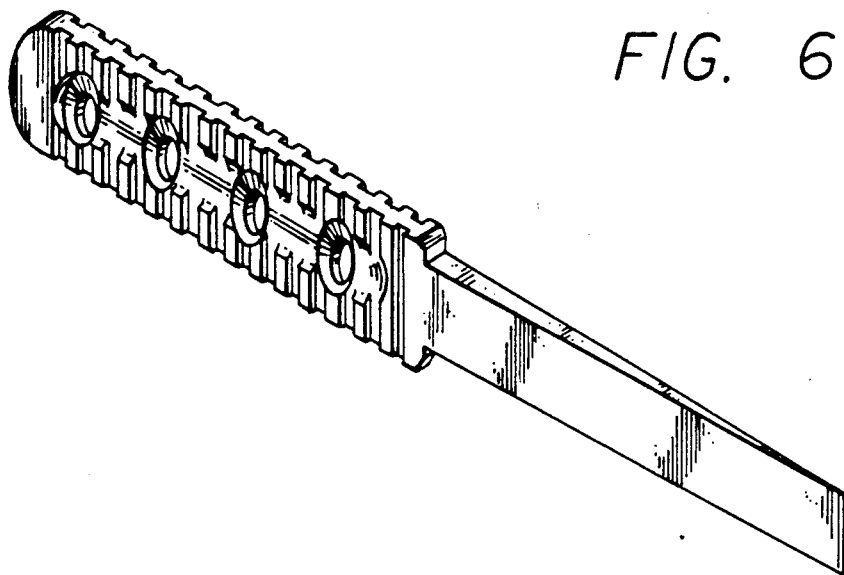


FIG. 6

FIG. 7

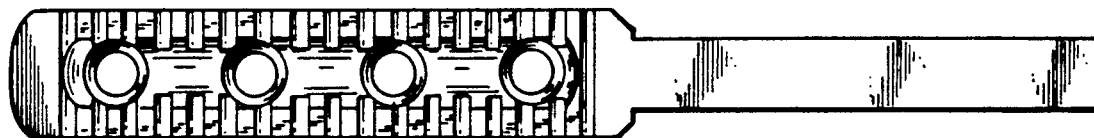


FIG. 8



FIG. 9



FIG. 10

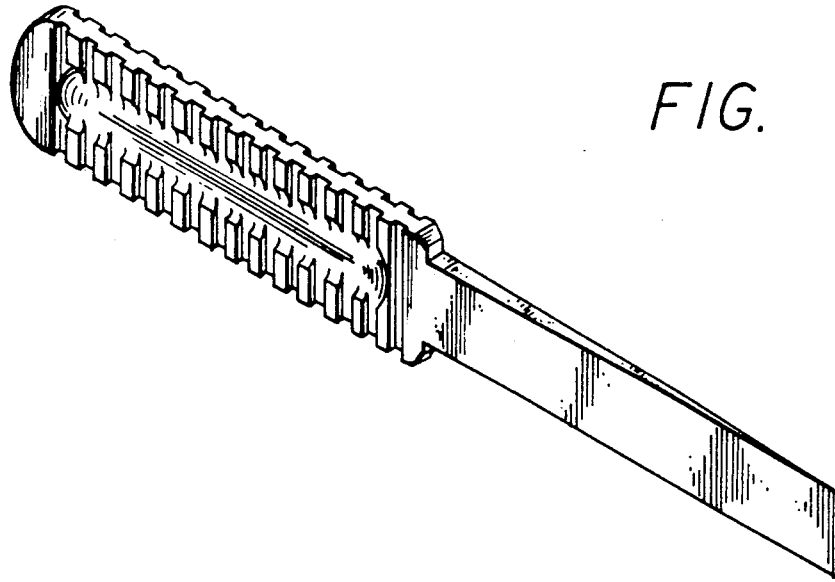


FIG. 11

FIG. 12

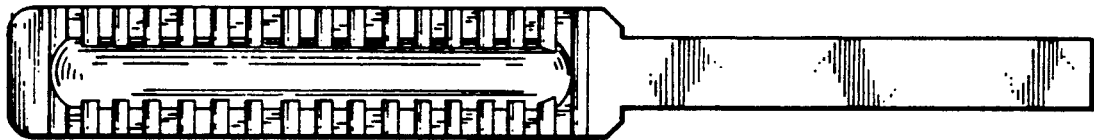


FIG. 13



FIG. 14



FIG. 15