



US008317794B2

(12) **United States Patent**
Michelson

(10) **Patent No.:** **US 8,317,794 B2**

(45) **Date of Patent:** **Nov. 27, 2012**

(54) **DEVICE FOR PREPARING A SPACE IN BONE TO RECEIVE AN INSERT**

(56) **References Cited**

(75) Inventor: **Gary K. Michelson**, Venice, CA (US)

(73) Assignee: **Warsaw Orthopedic, Inc.**, Warsaw, IN (US)

(*) Notice: Subject to any disclaimer, the term of this patent is extended or adjusted under 35 U.S.C. 154(b) by 0 days.

(21) Appl. No.: **13/306,825**

(22) Filed: **Nov. 29, 2011**

(65) **Prior Publication Data**
US 2012/0071879 A1 Mar. 22, 2012

U.S. PATENT DOCUMENTS

1,179,910	A	4/1916	Greenfield
2,025,779	A	12/1935	Roelke
2,133,859	A	10/1938	Hawley
2,179,250	A	11/1939	D'Amato
2,690,323	A	9/1954	Evenson
2,702,550	A	2/1955	Rowe
3,384,085	A	5/1968	Hall
3,574,374	A	4/1971	Keller et al.
3,916,907	A	11/1975	Peterson
3,921,298	A	11/1975	Fattaleh
3,937,222	A	2/1976	Banko
4,197,645	A	4/1980	Scheicher
4,273,169	A	6/1981	Baenen
4,586,497	A	5/1986	Dapra et al.
4,662,891	A	5/1987	Noiles
4,726,806	A	2/1988	Hukuba
4,781,072	A	11/1988	Tschudin
H571	H	2/1989	Hollinger et al.
4,842,578	A	6/1989	Johnson et al.

(Continued)

FOREIGN PATENT DOCUMENTS

DE 44 08 574 A1 2/1995

(Continued)

Primary Examiner — Kevin T Truong

Assistant Examiner — Larry E Waggle, Jr.

(74) *Attorney, Agent, or Firm* — Martin & Ferraro, LLP

(57) **ABSTRACT**

A device and method for use in a human spine to prepare a space between adjacent vertebral bodies and into the vertebral end plates to receive an implantable insert. The device includes a handle, a shaft, and a mounting member at one end of the shaft. An abrading element is mounted on the mounting member and is coupled to a drive mechanism. The drive mechanism is operable to move the abrading element in at least one degree of freedom to create surfaces having predetermined contours in the end plates of the adjacent vertebral bodies.

17 Claims, 15 Drawing Sheets

Related U.S. Application Data

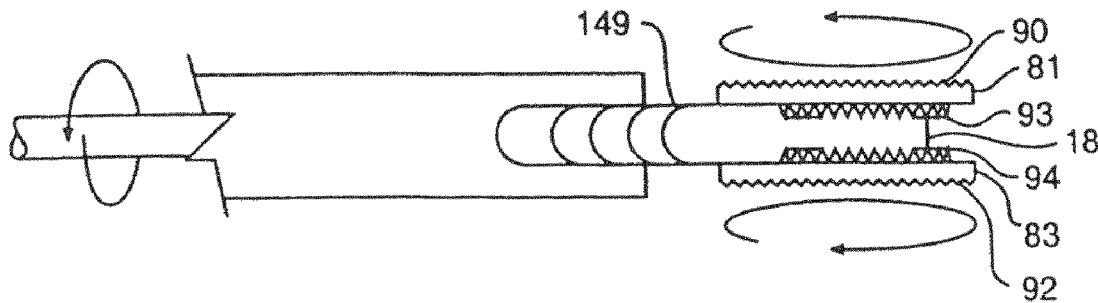
(63) Continuation of application No. 11/274,698, filed on Nov. 15, 2005, now Pat. No. 8,066,707, which is a continuation of application No. 10/360,242, filed on Feb. 6, 2003, now Pat. No. 6,966,912, which is a continuation of application No. 09/663,311, filed on Sep. 15, 2000, now Pat. No. 6,517,544, which is a continuation of application No. PCT/US99/12890, filed on Jun. 9, 1999.

(51) **Int. Cl.**
A61B 17/16 (2006.01)

(52) **U.S. Cl.** **606/84**; 606/86 R; 606/180

(58) **Field of Classification Search** 30/369; 83/751, 479-480, 491-492, 495, 505; 433/141-142, 433/144, 165-166; 451/48, 541-542, 548; 606/73, 79-85, 86 R, 167-189, 919; 623/17.11-17.16, 908, 919

See application file for complete search history.



US 8,317,794 B2

Page 2

U.S. PATENT DOCUMENTS

4,887,598	A	12/1989	Berke	5,749,916	A	5/1998	Richelsoph
5,015,247	A	5/1991	Michelson	5,797,189	A	8/1998	Gilbert
5,015,255	A	5/1991	Kuslich	5,797,909	A	8/1998	Michelson
5,041,119	A	8/1991	Frigg et al.	5,853,415	A	12/1998	Bertin et al.
5,059,203	A	10/1991	Husted	5,904,687	A	5/1999	Del Rio et al.
5,122,134	A	6/1992	Borzzone et al.	5,913,859	A	6/1999	Shapira
5,147,403	A	9/1992	Gitelis	5,913,867	A	6/1999	Dion
5,189,751	A	3/1993	Giuliani et al.	5,919,203	A	7/1999	Husted et al.
5,254,120	A	10/1993	Cinberg et al.	5,980,522	A	11/1999	Koros et al.
5,263,218	A	11/1993	Giuliani et al.	6,030,401	A	2/2000	Marino
5,269,785	A	12/1993	Bonutti	6,063,088	A	5/2000	Winslow
5,305,492	A	4/1994	Giuliani et al.	6,080,155	A	6/2000	Michelson
5,306,309	A	4/1994	Wagner et al.	6,083,225	A	7/2000	Winslow et al.
5,312,207	A	5/1994	Pomp	6,083,228	A	7/2000	Michelson
5,378,153	A	1/1995	Giuliani et al.	6,096,080	A	8/2000	Nicholson et al.
5,383,242	A	1/1995	Bigler et al.	6,120,506	A	9/2000	Kohrs et al.
5,387,215	A	2/1995	Fisher	6,159,214	A	12/2000	Michelson
5,423,825	A	6/1995	Levine	6,436,101	B1	8/2002	Hamada
5,435,034	A	7/1995	Bigler et al.	6,440,139	B2	8/2002	Michelson
5,458,642	A	10/1995	Beer et al.	6,517,544	B1	2/2003	Michelson
5,465,444	A	11/1995	Bigler et al.	6,537,279	B1	3/2003	Michelson
5,484,437	A	1/1996	Michelson	6,562,045	B2	5/2003	Gil et al.
5,489,308	A	2/1996	Kuslich et al.	6,692,501	B2	2/2004	Michelson
5,490,860	A	2/1996	Middle et al.	6,743,256	B2	6/2004	Mason
5,527,316	A	6/1996	Stone et al.	6,966,912	B2	11/2005	Michelson
5,554,191	A	9/1996	Lahille et al.	7,160,304	B2	1/2007	Michelson
5,569,285	A	10/1996	Webb	7,611,514	B2	11/2009	Michelson
5,591,235	A	1/1997	Kuslich	8,066,707	B2	11/2011	Michelson
5,601,556	A	2/1997	Pisharodi	2006/0100633	A1	5/2006	Michelson
5,609,635	A	3/1997	Michelson	2010/0094299	A1	4/2010	Michelson
5,628,748	A	5/1997	Vicari	2011/0172770	A1	7/2011	Michelson
5,665,122	A	9/1997	Kambin				
5,683,464	A	11/1997	Wagner et al.				
5,697,977	A	12/1997	Pisharodi				
5,722,977	A	3/1998	Wilhelmy				
5,725,530	A	3/1998	Popken				
5,725,531	A	3/1998	Shapiro				

FOREIGN PATENT DOCUMENTS

WO	WO 96/22747	A1	8/1995
WO	WO 97/30666	A2	8/1997
WO	WO 97/38635	A1	10/1997
WO	WO 98/49945	A1	11/1998
WO	WO 99/63891	A1	12/1999

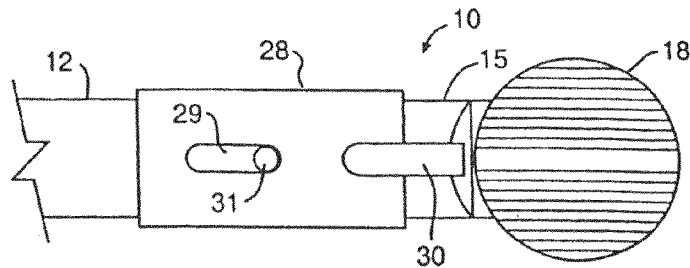


FIG. 1

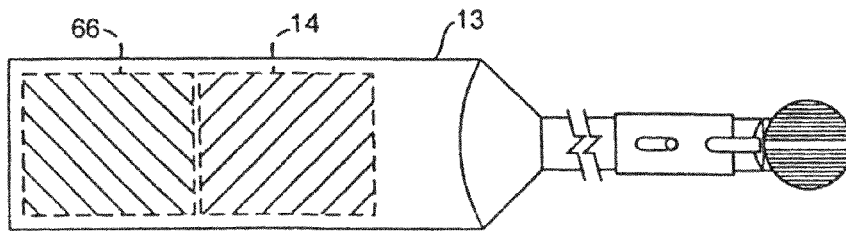


FIG. 1A

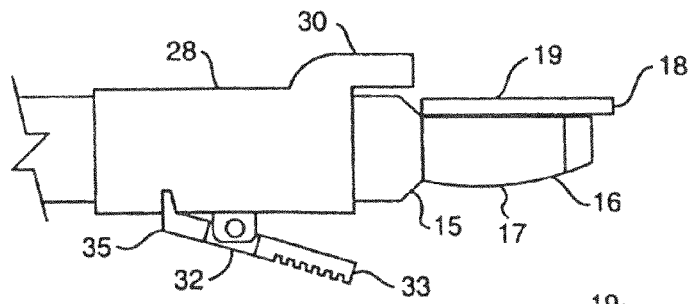


FIG. 2

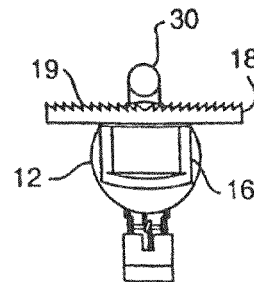


FIG. 3

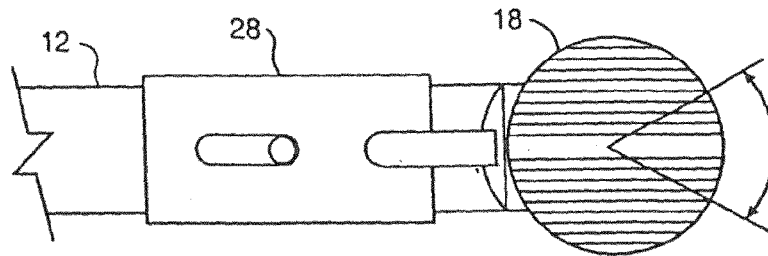


FIG. 4

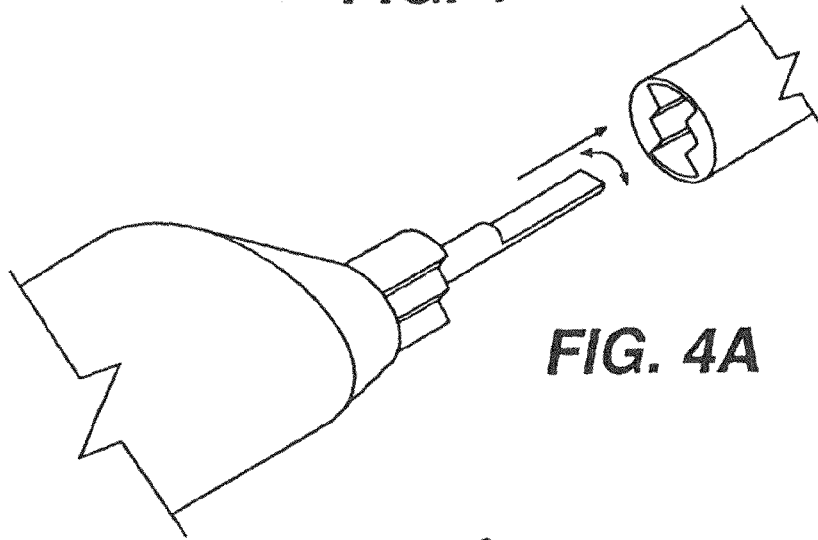


FIG. 4A

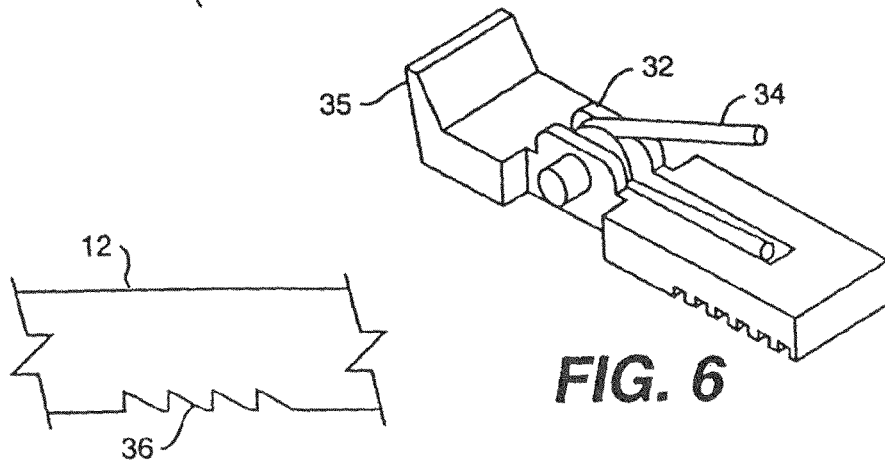


FIG. 5

FIG. 6

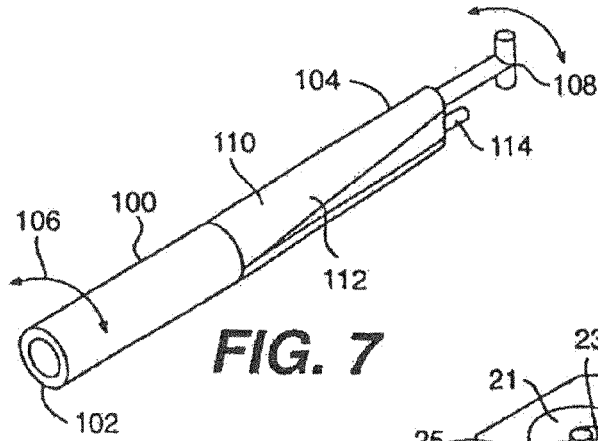


FIG. 7

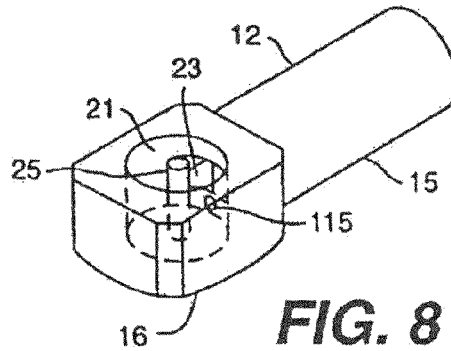


FIG. 8

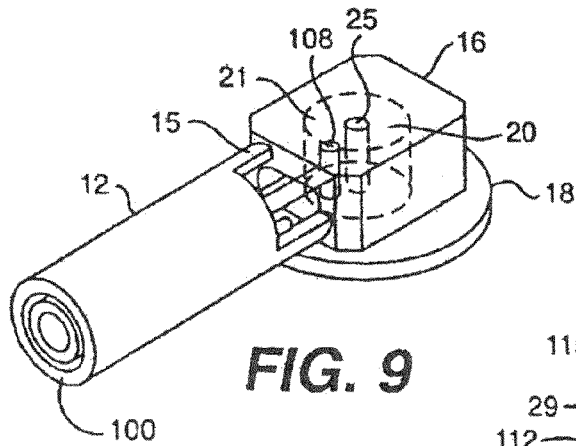


FIG. 9

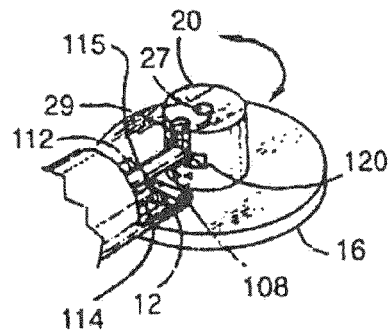


FIG. 10

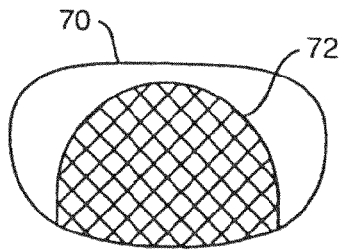


FIG. 11

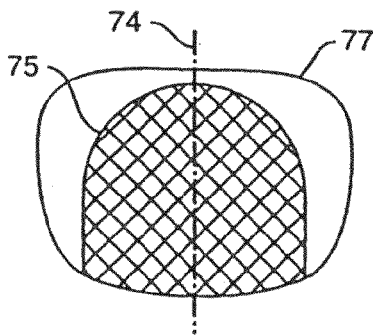


FIG. 12

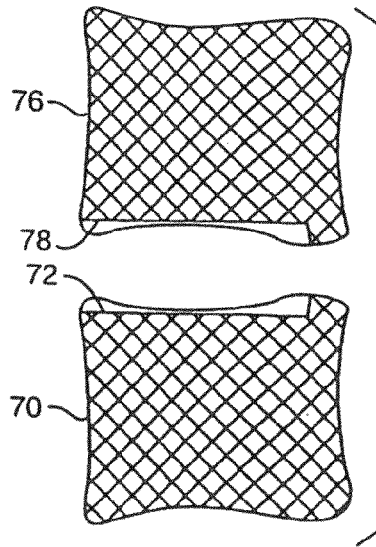


FIG. 14

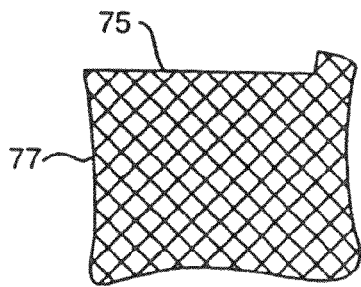


FIG. 13

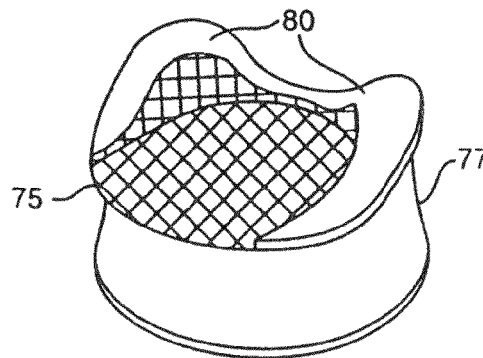


FIG. 15

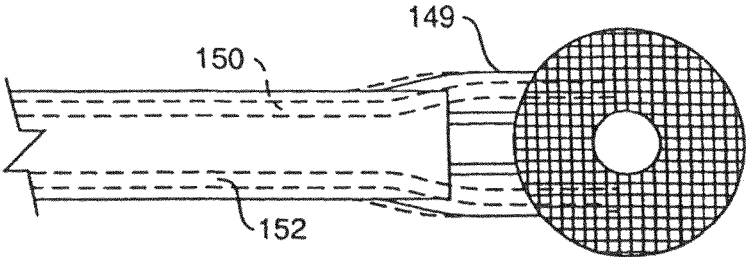


FIG. 16A

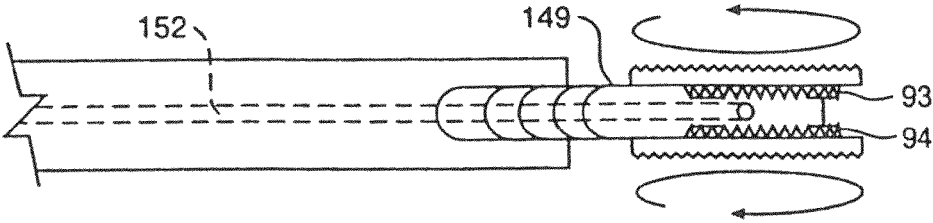


FIG. 17A

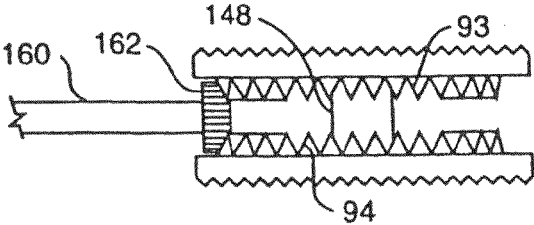


FIG. 17B

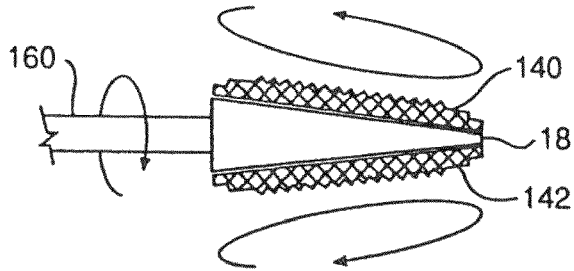


FIG. 18

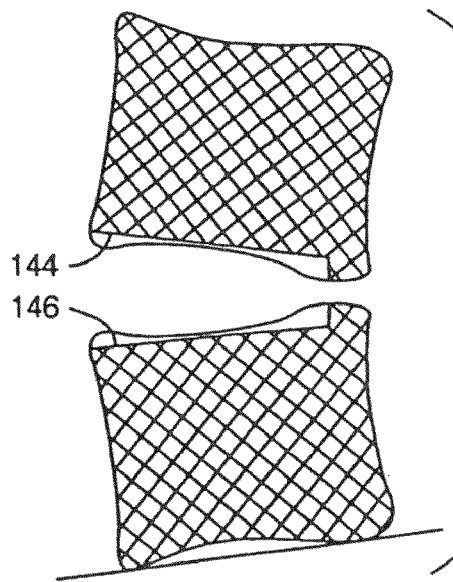


FIG. 19

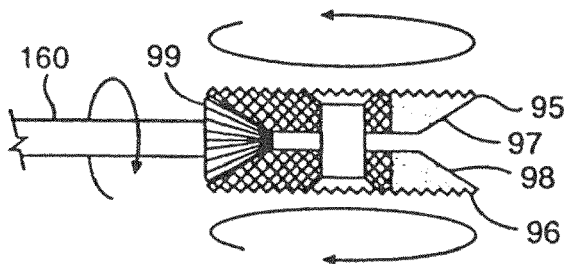


FIG. 20

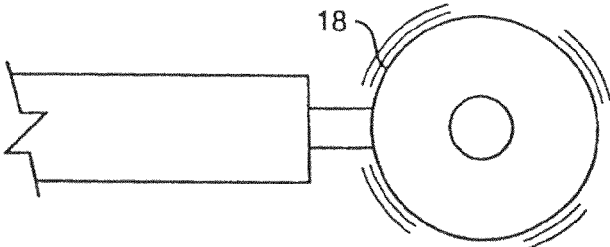


FIG. 21

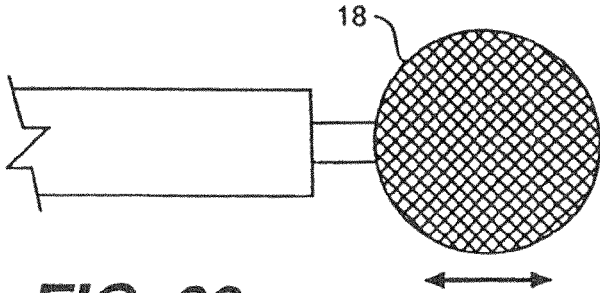


FIG. 22

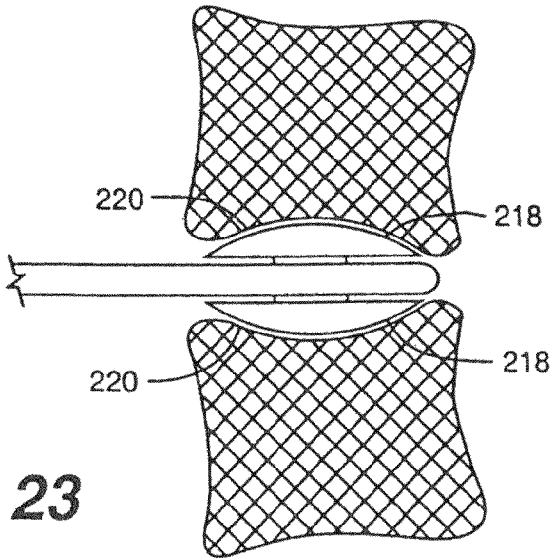


FIG. 23

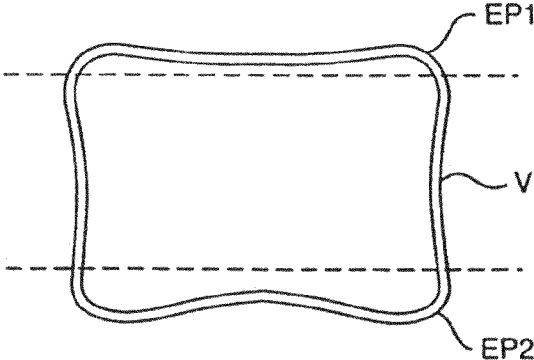


FIG. 24A

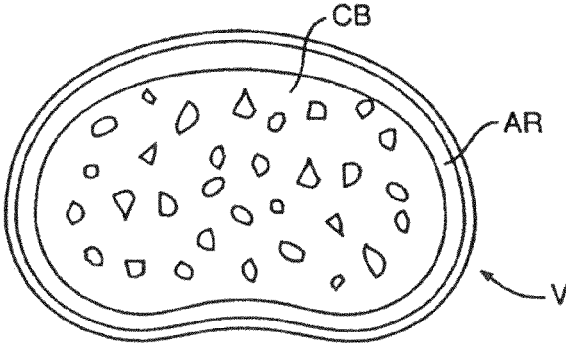


FIG. 24B

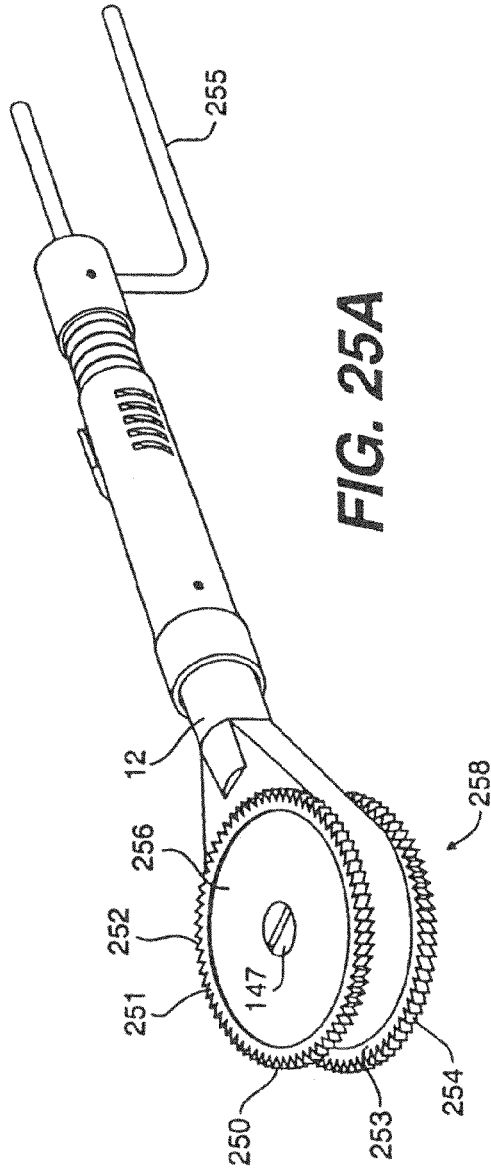


FIG. 25A

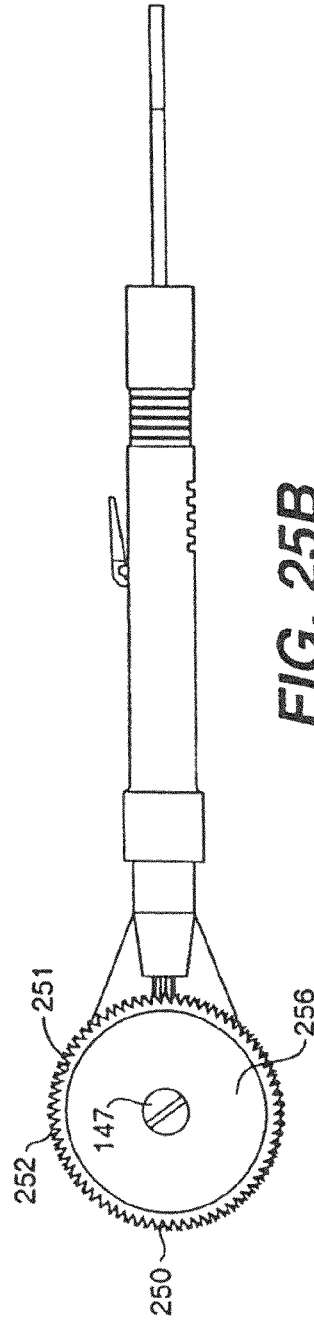


FIG. 25B

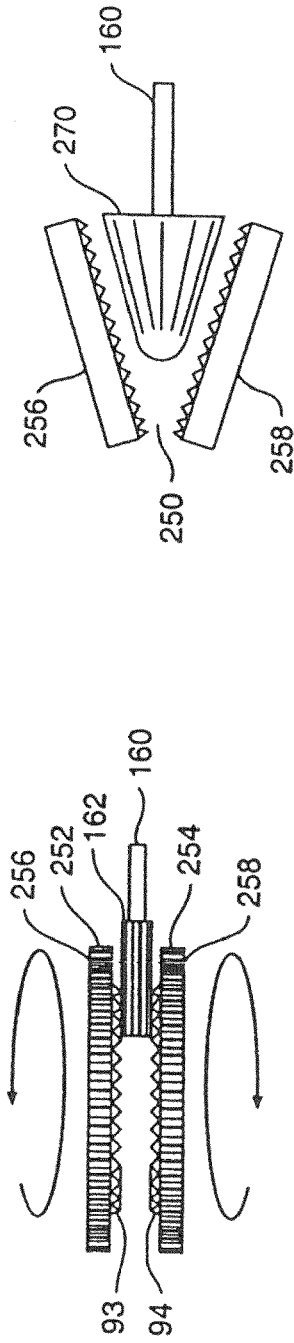


FIG. 27

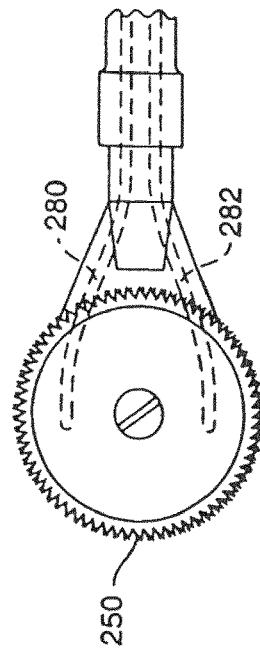


FIG. 28

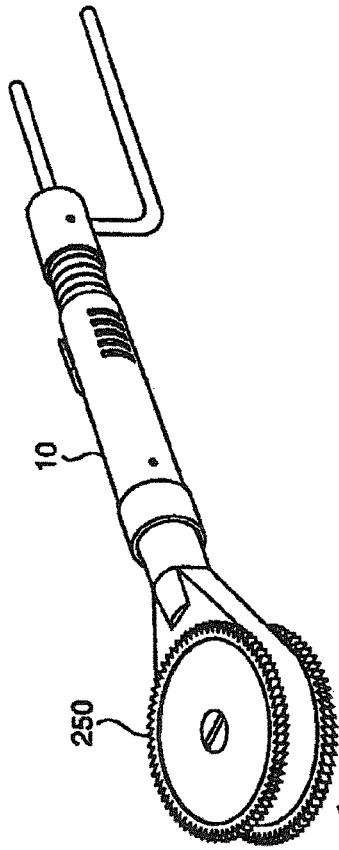


FIG. 29

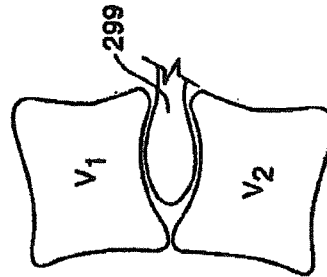
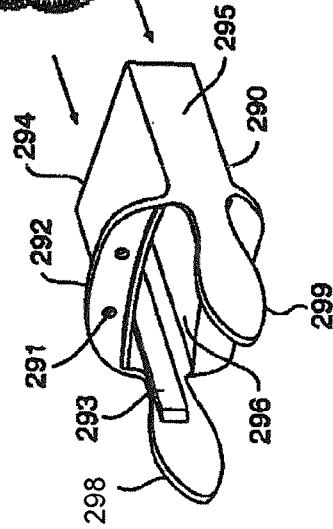


FIG. 30

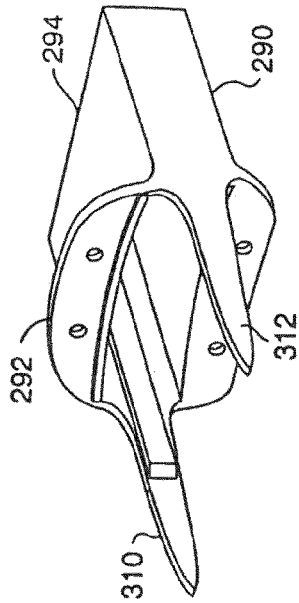


FIG. 31B

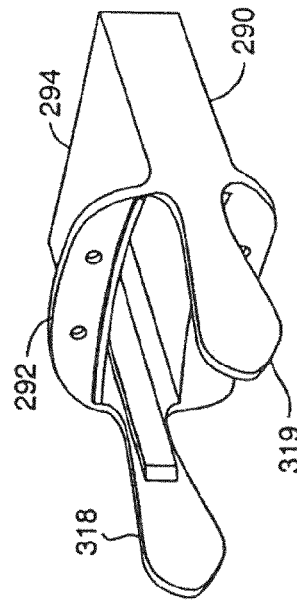


FIG. 31D

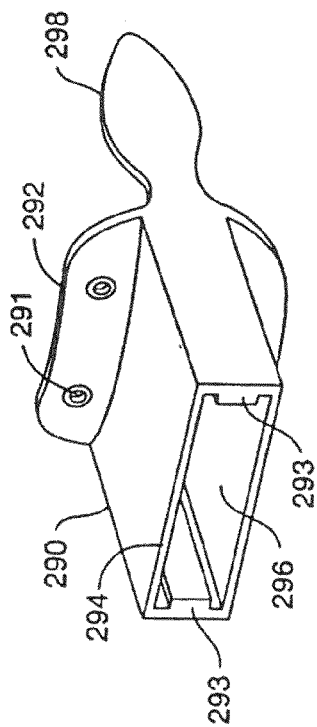


FIG. 31A

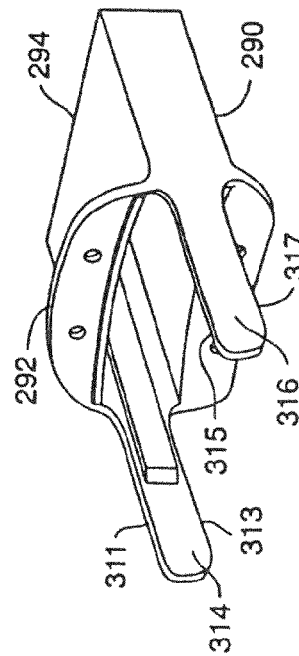


FIG. 31C

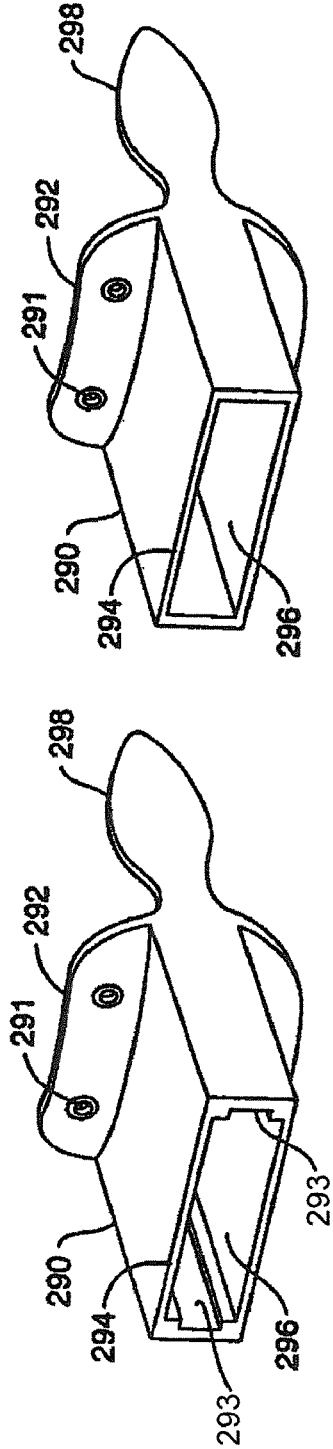


FIG. 32A

FIG. 32B

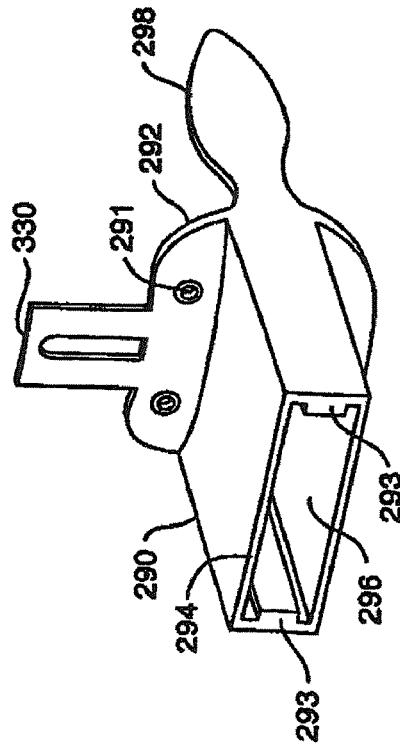


FIG. 33

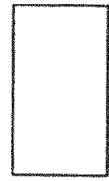


FIG. 35A

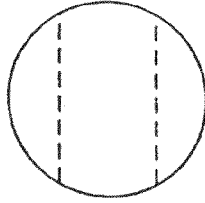


FIG. 35B



FIG. 35C

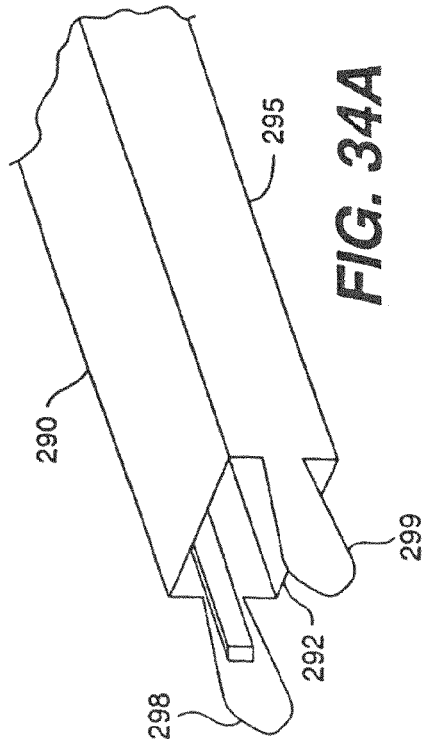


FIG. 34A

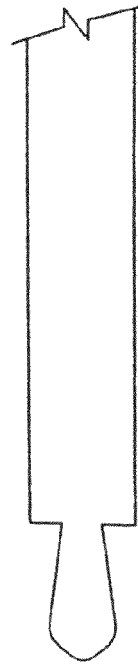


FIG. 34B

DEVICE FOR PREPARING A SPACE IN BONE TO RECEIVE AN INSERT

RELATED APPLICATIONS

The present application is a continuation of application Ser. No. 11/274,698, filed Nov. 15, 2005 now U.S. Pat. No. 8,066,707; which is a continuation of application Ser. No. 10/360,242, filed Feb. 6, 2003, now U.S. Pat. No. 6,966,912; which is a continuation of application Ser. No. 09/663,311, filed Sep. 15, 2000, now U.S. Pat. No. 6,517,544; which is a continuation of and claims priority to International Application No. PCT/US99/12890, filed Jun. 9, 1999; all of which are incorporated herein by reference.

FIELD OF THE INVENTION

The present invention relates to a device for insertion into a disc space between adjacent vertebral bodies in the human spine, and a method of working on those portions of the vertebral bodies adjacent that disc space to remove bone material and thereby access vascular bone. The device and associated method forms a surface on each of the vertebral body surfaces that are adjacent the intervertebral disc space, either sequentially, or in an alternative embodiment, simultaneously. The formed surface(s) have a shape and a contour corresponding to an interbody spinal insert to be implanted in the disc space.

BACKGROUND OF THE INVENTION

Inserts for placement between adjacent vertebrae in the spine come in a variety of shapes and sizes and are made of a variety of materials. Such inserts may or may not be designed to promote fusion of the adjacent vertebral bodies. Inserts not intended to participate in or to promote fusion of the adjacent vertebrae, for example an artificial spinal disc, are intended to maintain the spacing between the adjacent vertebrae and to permit relative motion between those vertebrae. Such inserts may or may not include some type of surface treatment or structure designed to cause the vertebrae to attach and grow onto the surface of the insert to thereby stabilize the insert. Another type of insert comprises bone grafts. Such bone grafts are typically intended to participate in and to promote fusion of the adjacent vertebrae. Another type of insert for use in human spinal surgery comprises implants made of selected inert materials, such as titanium, that have a structure designed to promote fusion of the adjacent vertebrae by allowing bone to grow through the insert to thereby fuse the adjacent vertebrae. This last type of insert is intended to remain indefinitely within the patient's spine.

The first known example of this last type of insert (for use in humans) is described in U.S. Pat. No. 5,015,247, which, in its preferred embodiment, discloses a hollow, threaded, cylindrical, perforated fusion implant device made of a material other than and stronger than bone and which is intended to cause fusion of adjacent vertebral bodies. A fusion promoting material, such as cancellous bone for example, is packed within the hollow portion of the implant and participates in the fusion. As used herein, the term fusion defines the growth of bone tissue from one vertebral body across a disc space to an adjacent vertebral body to thereby substantially eliminate relative motion between those vertebrae.

Human vertebral bodies are comprised of a dense, hard outer shell and a relatively less dense inner mass. The hard outer shell is very densely compacted cancellous bone, resembling cortical bone at all but high magnification, and is

generally referred to as the cortex. The inner mass is softer cancellous bone. The outer shell of cortex bone that is adjacent the disc and the bone immediately adjacent, and deep to it (both are subchondral, that is, beneath the cartilage layer that separates the bone from the disc), are defined for the specific purposes of this specification to comprise the "end plate region" or "end plate" to avoid any confusion that might otherwise arise from any inconsistency in the use of any of these terms. While it is understood that these terms may have other meanings more ordinary or special, and that those of ordinary skill in the art might otherwise differ as to the correct meanings of these terms, it is exactly for the purpose of removing any ambiguity that these terms are being so precisely defined specifically for this specification.

For the purposes of this application only, and to avoid any possible confusion, the term "apophyseal rim" is defined to be the bony rim of the densely compacted cancellous bone disposed peripherally about each of the opposed bony vertebral end plate regions of a human vertebral body. The rim is at least in part the all-bony remnant of what was the cartilaginous apophyseal growth area prior to the conversion of that cartilage to bone at skeletal maturation.

The spinal disc that resides between adjacent vertebral bodies maintains the spacing between those vertebral bodies and, in a healthy spine, allows for relative motion between the vertebrae. At the time of surgery, for example in the instance where fusion is intended to occur between adjacent vertebral bodies of a patient's spine, the surgeon typically prepares an opening at the site of the intended fusion by removing some or all of the disc material that exists between the adjacent vertebral bodies to be fused. Because the outermost layers of bone of the vertebral end plate are relatively inert to new bone growth, the surgeon must work on the end plate to remove at least the outermost cell layers of bone to gain access to the blood-rich, vascular bone tissue within the vertebral body. In this manner, the vertebrae are prepared in a way that encourages new bone to grow onto or through an insert that is placed between the vertebrae.

Present methods of forming this space between adjacent vertebrae generally include the use of one or more of the following: hand held biting and grasping instruments known as rongeurs; drills and drill guides; rotating burrs driven by a motor; and osteotomes and chisels. Sometimes the vertebral end plate must be sacrificed as occurs when a drill is used to drill across the disc space and deeper into the vertebrae than the thickness of the end plate. Such a surgical procedure necessarily results in the loss of the hardest and strongest bone tissue of the vertebrae—the end plate—and thereby robs the vertebrae of that portion of its structure best suited to absorbing and supporting the loads placed on the spine by everyday activity. Nevertheless, the surgeon must use one of the above instruments to work upon the adjacent end plates of the adjacent vertebrae to access the vascular, cancellous bone that is capable of participating in the fusion and causing active bone growth, and also to attempt to obtain an appropriately shaped surface in the vertebral bodies to receive the insert. Because the end plates of the adjacent vertebrae are not flat, but rather have a compound curved shape, and because the inserts, whether made of donor bone or a suitable implant material, tend to have a geometric rather than a biologic shape, it is necessary to conform the vertebrae to the shape of the insert to be received therebetween.

It is important in forming the space between the adjacent bone structures to provide a surface contour that closely matches the contour of the inserts so as to provide an adequate support surface across which the load transfer between the adjacent bone structures can be evenly applied. In instances

3

where the surgeon has not been able to form the appropriately shaped space for receiving the inserts, those inserts may slip or be forcefully ejected from the space between the adjacent vertebrae, or lacking broad contact between the insert and the vertebrae, a failure to obtain fusion may occur.

Furthermore, no known prior art device for preparing the vertebral end plates to receive an insert includes a working element that corresponds in shape, size, or contour to the shape of the insert to be implanted. That is, the known devices must be moved from side to side and in and out within the intervertebral space by an amount that exceeds the dimensions of the working element of the device, e.g., the rotating burr of a motor driven routing instrument or the working end of known osteotomes and chisels.

OBJECTS OF THE PRESENT INVENTION

It is an object of the present invention to provide a device and method for quickly, safely, effectively, and accurately working upon a vertebral body end plate adjacent a disc space so as to, while preserving that end plate at least in part, remove bone to produce a receiving surface corresponding in size, shape, and contour to an insert to be implanted between the adjacent vertebrae.

It is a further object of the present invention, in at least certain embodiments, to provide a device capable of simultaneously working upon both of the vertebral body end plates adjacent a disc space to produce opposed receiving surfaces in the adjacent end plates corresponding in size, shape and contour to an insert to be implanted, and in so doing to define the shape to the insert space.

It is a further object of the present invention to provide a vertebral interspace preparation device that, in a preferred embodiment, is capable of working with linear insertion, i.e., insertion along a single axis, and without the need to substantially move the device from side to side within the disc space along a second axis. In such a preferred embodiment, the device has at its working end an abrading element having a width generally corresponding to the width of the insert to be implanted.

It is a further object of the present invention to have a safety mechanism built into the device that limits the depth of insertion of the device into the spine.

It is a further object of the present invention to provide a vertebral interspace preparation device that has interchangeable ends so as to be capable of producing a variety of differently sized and contoured surfaces and shapes within the intervertebral space.

It is a further object of the present invention to have abrading surfaces extending to the leading end of the device such that the device may remove bone along its leading end as it is advanced within the disc space.

These and other objectives of the present invention will occur to those of ordinary skill in the art based on the description of the preferred embodiments of the present invention described below. However, not all embodiments of the inventive features of the present invention need achieve all the objectives identified above, and the invention in its broadest aspects is not limited to the preferred embodiments described herein.

BRIEF DESCRIPTION OF THE DRAWINGS

FIG. 1 is a partial top view of a first preferred embodiment of a device embodying the present invention, which device includes an abrading element having a single abrading surface;

4

FIG. 1A is a full top view of the device of FIG. 1 illustrating the handle of the device;

FIG. 2 is a side view of the device shown in FIG. 1;

FIG. 3 is an end view of the device shown in FIGS. 1 and 2;

FIG. 4 is a second top view of the device shown in FIG. 1 and also illustrates the preferred range and type of motion of the abrading element;

FIG. 4A is a partial view of the device of FIGS. 1-4 showing a preferred mechanism for connecting the handle to the device shaft;

FIG. 5 is a detailed view of a portion of the device shaft illustrating notches used to hold a stop member in a selected position;

FIG. 6 is a detailed view of a spring-biased lever mechanism that may be used to adjust the position of a stop member;

FIG. 7 is a detailed view of a coupling mechanism that may be used to movably couple the drive mechanism to the abrading element;

FIG. 8 is a detailed view of the mounting member disposed at the distal end of the device shaft;

FIG. 9 is a further detailed view of the coupling mechanism and mounting member illustrated in FIGS. 7 and 8;

FIG. 10 is a detailed view illustrating a preferred way of movably connecting the coupling mechanism to the abrading element;

FIG. 11 is top view of a first vertebral body having a surface prepared in one of the end plates by a device incorporating the present invention;

FIG. 12 is a top view of a second vertebral body, different than that shown in FIG. 11, having a surface prepared in one of the end plates by a device incorporating the present invention;

FIG. 13 is a cutaway side view of the vertebral body shown in FIG. 12;

FIG. 14 is a cutaway side view of adjacent vertebral bodies having their respective adjacent end plates prepared by a device incorporating the present invention to form a space configured to receive an insert;

FIG. 15 is an exaggerated perspective view of the vertebral body illustrated in FIG. 12 showing the formation of the receiving surface in the vertebral end plate;

FIG. 15A is a top view of a section of a human spine illustrating the portion of the disc that is typically removed to accommodate the implantation of an intervertebral insert;

FIG. 16 is a top view of a second preferred embodiment of a device embodying the present invention, which device includes an abrading element having two abrading surfaces;

FIG. 16A is a top view of the device of FIG. 16 illustrating irrigation and suction tubes that may be incorporated into the device;

FIG. 17 is a side view of the device shown in FIG. 16;

FIG. 17A is a side view of the device shown in FIG. 16A;

FIG. 17B is a detailed view of one possible drive mechanism that may be used with the second embodiment of the present invention;

FIG. 18 is an alternative embodiment of an abrading element having two abrading surfaces, which abrading surfaces are inclined relative to one another to form a space between the adjacent vertebral bodies that approximates the lordotic curvature of a human spine at the location that will receive the interbody insert;

FIG. 19 is a cutaway side view of adjacent vertebral bodies showing a lordotically configured space created between the vertebrae by the abrading element shown in FIG. 18;

FIG. 20 shows an alternative embodiment of a mechanism for driving an abrading element;

5

FIG. 21 illustrates an alternative path of motion possible for an abrading element according to the present invention;

FIG. 22 illustrates a further alternative path of motion possible for the abrading element;

FIG. 23 illustrates an alternative configuration of the abrading element suitable for creating concave insert receiving surfaces on the adjacent vertebral end plates;

FIG. 24A is a side view of a vertebral body illustrating end plates or end plate regions;

FIG. 24B is a cutaway top view of a vertebral body illustrating the apophysical rim and cancellous bone;

FIG. 25A is a perspective view of an alternative to the second preferred embodiment of a device embodying the present invention, which device includes an abrading element having two abrading surfaces;

FIG. 25B is a top view of the device shown in FIG. 25A;

FIG. 26 is a detailed side view of one possible drive mechanism that may be used with the alternative to the second preferred embodiment of the present invention;

FIG. 27 is an alternative embodiment of an abrading element having upper and lower disc-shaped members angled relative to each other to form a space between the adjacent vertebral bodies that approximates the lordotic curvature of a human spine at the location that will receive the interbody insert;

FIG. 28 is a top view of the device of FIG. 25A illustrating irrigation and suction tubes that may be incorporated into the device;

FIG. 29 is a perspective view of the device of FIG. 25A and a guide for providing protected access to the space between adjacent vertebral bodies;

FIG. 30 is a side view of a disc penetrating extension inserted between adjacent vertebral bodies;

FIG. 31A is a rear perspective view of the guide of FIG. 25A;

FIG. 31B is a perspective view of the guide of FIG. 25A illustrating tapered disc penetrating extensions;

FIG. 31C is a perspective view of the guide of FIG. 25A illustrating disc penetrating extensions with parallel upper and lower surfaces;

FIG. 31D is a perspective view of the guide of FIG. 25A illustrating substantially lordotic disc penetrating extensions;

FIG. 32A is a rear perspective view of the guide of FIG. 25A illustrating female tracks;

FIG. 32B is a rear perspective view of the guide of FIG. 25A illustrating the absence of tracks;

FIG. 33 is a rear perspective view of the guide of FIG. 25A including a slotted extension;

FIG. 34A is a partial perspective view of the guide of FIG. 25A illustrating a distance between the front and rear portions;

FIG. 34B is a partial side view of the guide of FIG. 34A;

FIG. 35A is a cross-sectional view of the body of the guide of FIG. 25A;

FIG. 35B shows an alternative circular cross-section of the body of the guide of FIG. 25A; and

FIG. 35C shows an alternative oval or rounded cross-section of the body of the guide of FIG. 25A.

SUMMARY OF THE INVENTION

The device, in its preferred embodiment, generally comprises an abrading element movably and replaceably mounted on the distal end of a shaft, and a depth limiting mechanism to control the depth of insertion of the abrading element into the intervertebral space (i.e., the disc space). The device also includes a handle that may be detachable from the shaft. As

6

used herein, the term “handle” refers to a portion of the device that a surgeon may grip or otherwise manipulate to guide the working end of the device. That “handle” may, in fact, have multiple purposes. For example, the handle may be a portion of the shaft on which the abrading element is mounted at one end. Alternatively, the handle may be part of a segment that connects the device to a power source, for example, part of a conduit that supplies pressurized gas if the power source is turbine driven. In any event, the term “handle” is used herein in its broadest context to refer to that portion of the device that the surgeon chooses to grasp.

Additionally the shaft may be detachable from the abrading element. The device also includes a drive mechanism for transmitting power to activate, i.e., move, the abrading element, and the drive mechanism is connected to an energy source, e.g., a rechargeable battery, that may be housed within the handle of the device. By way of example only, the drive mechanism may comprise an electric motor or an electromagnetic oscillating mechanism. Or, again by way of example only, the drive mechanism and handle in which it is disposed may comprise the head unit of a gas powered turbine of the type commonly used in other surgical instruments.

In the preferred embodiment, the abrading element is generally as wide as the insert to be implanted between the adjacent vertebral bodies adjacent the disc space. The receiving bed, i.e., the prepared surface of the vertebrae, when formed by the device, will correspond in shape, size, and contour to the corresponding surfaces of the insert to be implanted. By way of example only, the surface produced may be flat or concave, or of some other desired shape and size so as to correspond to the upper or lower vertebrae contacting surfaces of the insert that will be implanted between the vertebrae. The device may also include a leading end that is capable of cutting through bone and/or disc material to form a pocket having a contour corresponding to the forward aspect and leading end of the insert to be implanted.

In a first preferred embodiment, the abrading element includes a single abrading surface that works on one vertebral surface at a time within the disc space.

In a second preferred embodiment, the abrading element includes a pair of opposed, outwardly facing abrading surfaces which lie in planes that may be either parallel to each other or, alternatively, convergent to each other. This embodiment of the present invention offers the further benefits of saving time by simultaneously preparing both of the vertebral end plates adjacent a disc space. The second embodiment not only includes the ability to simultaneously create two opposed surfaces, but also to shape the three-dimensional space that will be created between the adjacent vertebrae, which shape can be made to conform to the desired lordosis of that portion of the spine that will receive the insert.

However, the abrading element of the present invention is not limited to being a unitary, one piece construction, regardless of the number of abrading surfaces the abrading element may have. The abrading element may comprise multiple pieces that, by way of example and not limitation, are mountable on the end of the device to, in combination, define the overall shape of the abrading element and its abrading surface or surfaces. Thus, the term “abrading element” is used herein to refer to both a unitary, one piece construction or a multi-piece construction.

Thus, the present invention provides a device and method for preparing a disc space between adjacent vertebral bodies to receive an insert, and prepares that disc space by removing a portion of the end plate of the vertebrae adjacent that disc space to form predetermined surfaces in the end plates. The prepared surfaces are sized and contoured to have broad inti-

mate contact with the insert to be implanted between the adjacent vertebrae, which broad contact provides for increased insert stability. This broad area of intimate contact between the vertebrae and the insert promotes bone ingrowth from the vertebrae into the insert, and also provides a broad area over which to support the incumbent loads so as to minimize the risk of vertebral collapse or subsidence of the insert into the vertebra.

The abrading element is mounted on the mounting member and may be removable and interchangeable. In such an embodiment, the mounting member may be, but does not have to be, attachable to a shaft that is attachable to the handle. The abrading element and the mounting member may be separable from each other. Alternatively, the abrading element and the mounting member may, together, be removable from the handle. Various configurations of the abrading element and its abrading surface or surfaces can be used to form various contours in the adjacent vertebral bone structures.

In the instance where the abrading element has one abrading surface, the opposite surface of the abrading element, or the opposite surface of the mounting member, may be specifically designed to be non-abrading to the opposed adjacent vertebral end plate. Such a non-abrading surface may be designed to provide a mechanical advantage (such as achieved with a fulcrum) to allow the surgeon to increase the pressure of the abrading surface against the end plate being worked on, and, further, may be curved so as to be centering within the disc space by contact with a vertebral surface.

While the preferred embodiment of the present invention is discussed and disclosed herein with respect to creating a space between adjacent vertebrae in the spine, the present invention is not limited to a device for creating a space between adjacent vertebrae, but can also be used in other portions of the body where it is desirable to place an insert between adjacent bone structures. Furthermore, and as alluded to above, an embodiment of the present invention may have upper and lower abrading surfaces that are in angular relationship to each other so as to, for example, match the natural lordotic curvature of the human spine at the location of the vertebrae to be operated upon. Similarly, certain of the abrading surfaces of the abrading element may be configured with a convex, or even compound, geometry so as to form surfaces in the adjacent bone structures having a desired contour. Additionally, sequentially larger ones of the abrading element, or mounting member, may be used to form the desired space in a step-wise fashion, or the abrading element may be sized to substantially match the final desired width of the surface to be formed in the vertebral end plate. Furthermore and also as noted above, the abrading element may be configured with a sharpened leading edge to allow the abrading element to "forward cut" as it is inserted between the adjacent vertebrae. In this manner, progressive insertion of the abrading element between the vertebrae can be facilitated.

While the present invention has been generally described above, and the preferred embodiments of that invention will be described in detail below, neither that general description nor the detailed description limits the scope of the present invention. That scope is defined solely by the claims appearing at the end of this patent specification.

DESCRIPTION OF THE PREFERRED EMBODIMENTS

With reference to FIGS. 1 and 1A, a first embodiment of the present invention comprises a disc space preparation device generally referred to by numeral 10. Device 10 includes a shaft 12 and a handle 13. Handle 13 may be formed with any

number of known shapes designed to make the surgeon's grip on the handle more secure or comfortable. Similarly, handle 13 may include a soft rubber covering or may be formed, at least partially, of a material designed to promote a secure grip of the surgeon's hand on the handle. Those of ordinary skill in the art will recognize the many types of surface configurations or materials of which the handle can be made to achieve these goals.

With continued reference to FIGS. 1 and 1A, disposed within handle 13 is a drive mechanism diagrammatically depicted by box 14. Although in the embodiment of the device shown in FIGS. 1 and 1A the drive mechanism 14 is disposed within handle 13, it need not be disposed in the handle. The drive mechanism may be disposed completely or partially outside of the handle, for example, where the drive mechanism is a gas powered turbine element such as is used in some known surgical instruments. Drive mechanism 14 is operably connected to the proximal end of shaft 12 and is capable of moving an abrading element 18 disposed at a distal end 15 of shaft 12. Abrading element 18 has an abrading surface 19. Drive mechanism 14 moves abrading element 18 at a sufficiently high rate to quickly and efficiently cause abrading surface 19 to form the desired space and the desired surface contours in the adjacent vertebral bone structures. As illustrated in FIG. 2, the abrading element 18 is mounted on a mounting member 16 disposed at the distal end 15 of shaft 12. In this embodiment, the mounting member is fixed to shaft 12 and only the abrading element moves. However, many alternative mechanisms for mounting the abrading element on the device are possible within the scope of the present invention, including a mechanism wherein, mounting member 16 is movably attached to shaft 12 and the drive mechanism moves both the mounting member and the abrading element attached thereto. Also, mounting member 16 may be designed with a surface 17 on the side of the mounting member 16 opposite abrading element 18. Surface 17 is designed, in the embodiment shown, to bear against the end plate that is opposite the end plate being worked on by abrading element 18. In this manner, surface 17 provides a bearing surface that the surgeon may use to gain a mechanical advantage (such as with a lever) to contact abrading surface 19 of abrading element 18 against the end plate being worked on. Additionally, surface 17 may be curved as shown in FIG. 2, or otherwise shaped, to contact one end plate and, thereby, center or otherwise position abrading element 18 in the disc space.

As presently contemplated, the motion of the abrading element may be vibratory, reciprocatory, oscillatory, or rotary. In the first preferred embodiment of device 10, the motion of the abrading element is rotary in a clockwise then counterclockwise direction through a preferred range of motion of between 20° to 45°, as illustrated in FIG. 4. Whatever type and range of motion is selected for the abrading element, it will likely, although not necessarily, be in a direction that is generally parallel to the plane of the surface to be formed in the vertebral end plate. However, since the shape of that surface contour is not necessarily flat, neither is the direction of the motion of the abrading element necessarily parallel to all points on that desired surface contour.

By way of example and not limitation, the drive mechanism may comprise a magnetic driver of the type described in U.S. Pat. No. 5,263,218. Alternatively, the drive mechanism may take the form of a mechanical drive utilizing a cam mechanism such as described in U.S. Pat. No. 5,383,242. Additionally, drive mechanisms used in known surgical power milling apparatus may also be used. U.S. patent application Ser. No. 08/688,758 titled Milling Instrumentation and Method for Preparing a Space Between Adjacent Vertebral

Bodies is hereby incorporated by reference. As presently contemplated, the drive mechanism should be capable of moving the abrading element and its abrading surface or surfaces at a speed sufficient to abrade the hard cortical bone of the vertebral end plate. The working range and speed of motion of the drive mechanism will be readily selected by those of skill in the art.

In one embodiment of the present invention utilizing reciprocating motion, the stroke or amount of reciprocating movement is relatively small and can be selected as desired to achieve the purpose of abrading the adjacent bone structures. That stroke may be selected based on the relative strength of the bone structures to be abraded, the relative strength of the material forming the abrading element, and the type of surface roughening formed on one or more surfaces of the abrading element. This relatively small reciprocating movement of the abrading element results in a tightly controlled excursion area between the adjacent vertebrae being prepared to receive an insert. In contrast, a motorized burr must be moved free hand and in a side-to-side motion within the disc space by the surgeon to form a space to receive an insert. Thus, use of such a motorized burr does not provide a way of forming a precise surface shape in the vertebral end plate. Additionally, because the motorized burr rotates in a single direction, it may catch on a piece of the vertebra and cause the burr to jerk forcefully out of the intervertebral space. Such an occurrence will not happen with the device **10** because of the controlled excursion of the device.

In the first embodiment of the present invention described herein, drive mechanism **14** is powered by a rechargeable battery illustrated as box **66** in FIG. **1A**. Battery **66** is also preferably located within handle **13** of device **10**. However, the present invention is not limited to use with a rechargeable and/or replaceable battery **66**, but may also be configured to run on any standard electrical source, such as 110 volt, 60 cycle power sources, with or without the accompanying use of a transformer to reduce that voltage as may be necessary and desirable. Alternatively, the drive mechanism may comprise a gas turbine mechanism as is common for many types of powered surgical instruments. The particular power source that powers drive mechanism **14** does not form a part of the present invention except to the extent it is adapted to achieve the appropriate and desirable amount of movement of the abrading element.

Referring now to FIG. **2**, which shows a portion of device **10** in side view, mounting member **16** extends from the distal end **15** of shaft **12**. As described below with reference to FIGS. **7-10**, the mounting member may be configured to house a portion of a coupling mechanism that, in turn, couples drive mechanism **14** to an abrading element **18** to move the abrading element in at least one degree of freedom while the mounting member remains stationary relative to the handle. The term "degree of freedom" is used herein in its ordinary sense to refer to motion in a standard three-dimensional environment. That three dimensional environment may be defined by X, Y, and Z axes. In such a three-dimensional environment, 6 degrees of freedom exist: translational motion along each of the X, Y, and Z axes, and rotational motion about each of the X, Y, and Z axes. Thus, drive mechanism **14** is operable to move abrading element **18** in a reciprocating, oscillating, or vibrating motion transversely along one or more of the X, Y, and Z axes. Alternatively, or in conjunction, drive mechanism **14** may be configured to move abrading element **18** around one or more of the X, Y, or Z axes. Of course, for purposes of achieving the objectives of the present invention, it may not

be necessary that the drive mechanism reciprocate or oscillate mounting member **16** in anything more than a single degree of freedom.

Referring now to FIGS. **7-10**, in a present preferred embodiment, abrading element **18** includes a projection **20** (as best seen in FIG. **10**) that is to be received in a corresponding aperture **21** formed in mounting member **16** (as best seen in FIG. **8**). Mounting member **16** may be fixedly disposed on distal end **15** of shaft **12**. Alternatively, mounting member **16** may be removably attached to distal end **15** of shaft **12**. In the present embodiment, a coupling mechanism is used to couple abrading element **18** to mounting member **16** and to the drive mechanism. FIG. **10** illustrates that coupling mechanism with mounting member **16** removed to show in clearer detail the coupling mechanism.

With reference to FIGS. **7** and **9**, the coupling mechanism in the first preferred embodiment of the present invention comprises a generally tubular member **100** received within a hollow, longitudinal aperture of shaft **12**. Tubular member **100** includes a proximal end **102** and a distal end **104**. A T-shaped connector **108** is configured at the end of a drive rod **112**. Drive rod **112** is adapted to be received within a corresponding aperture **110** in tubular member **100**. A pivot rod **114** extends from the distal end **104** of tubular member **100** and is adapted to fit in a corresponding hole **115** formed in mounting member **16** at the end of shaft **12**.

With reference to FIG. **8**, mounting member **16** includes a central aperture **21** and an oblong slot **23** formed through a wall of mounting member **16**. Slot **23** is configured to allow connector **108** to pass through when the connector is turned (as illustrated by the arrows **106** in FIG. **7**) so that the branches forming the "T" extend laterally. Mounting member **16** also includes a post **25** that projects into aperture **21**. Post **25** is sized to mate with an aperture **27** formed in projection **20** of abrading element **18** as shown in FIG. **10**. Projection **20** is also formed with a slot **29** designed to receive connector **108** as described below.

With reference to FIG. **9**, tubular member **100** fits within shaft **12** with connector **108** extending from distal end **13** of the handle. Projection **20** of abrading element **18** is inserted into aperture **21** of mounting member **16** such that post **25** fits into aperture **27** of projection **20**. Connector **108** is initially rotated such that its "T" branch fits through slot **23** of mounting member **16** and then is rotated 90° as shown by the arrows in FIG. **7**. With the "T" branches of connector **108** extending parallel to post **25**, projection **20** of abrading element **18** fits into aperture **21** of mounting member **16** such that connector **108** fits into slot **29**, and post **25** fits into aperture **27**.

FIG. **10** shows the same structure as FIG. **9** but with mounting member **16** removed for purposes of better illustrating the mating of connector **108** with slot **29**. As shown in FIG. **10**, pivot rod **114** fits into a mating aperture **115** formed at the distal end of shaft **12**, and projection **20** includes a second slot **120** formed laterally from slot **29**. Slot **120** is configured to allow connector **108** to toggle back and forth as tubular member **100** is reciprocatingly pivoted about pivot rod **114** by the device's drive mechanism. This "toggling" action of member **100** about pivot rod **114** moves T-shaped connector **108** and abrading element **18** in the direction indicated by the double headed arrow in FIG. **10**.

Of course, many variations exist for mechanisms to couple the drive mechanism **14** to abrading element **18**. The coupling mechanism described above is provided by way of example and not limitation.

In the embodiment described, mounting element **16** may interchangeably receive various ones of abrading element **18**.

11

Thus, abrading element **18** may be quickly and easily attached to and detached from mounting member **16** during surgery. While in the preferred embodiment the abrading surface of the abrading element is selected to have a width that is substantially the same as the width of the surface to be formed in the vertebral end plate (to eliminate any need to move the abrading element side to side in the disc space as noted earlier), a surgeon might also elect to use an abrading element that is smaller in width than the ultimate desired width of the surface to be formed. Thereafter, the surgeon may use successively larger abrading elements **18** until she arrives at the desired dimensions of the space formed between the adjacent bone structures. This approach also eliminates any need to significantly move the abrading element in a side to side path within the disc space.

Referring back to FIGS. **1** and **1A**, device **10** includes at least one stop member **28** adjustably disposed on mounting element **16** to limit the travel of the abrading element into the adjacent bone structures. Stop member **28** includes an abutment **30** that will eventually contact the vertebrae to limit travel of the abrading element **18** as the abrading element forms the space between the adjacent vertebrae. Stop member **28** is not limited to a single abutment. Two or even more abutments may be formed around the circumference of stop member **28** and the leading edges of such multiple abutments may be configured to terminate at different positions relative to shaft **12**. Other mechanisms for limiting the depth of insertion of the device into the disc space are possible, and this example is provided by way of illustration.

In the embodiment of stop member **28** shown in FIGS. **1**, **2**, and **3**, a slot **29** is formed in stop member **28** and an extension **31** projects from shaft **12** through slot **29**. Slot **29** is dimensioned to correspond to the desired maximum amount of adjustment of the stop member relative to the handle. As shown in FIG. **2**, and in FIGS. **5** and **6**, stop member **28** is held at a desired position on shaft **12** by spring-biased lever **32**. Lever **32** includes an actuator end **33** with grooves, notches, knurls, or other surface preparation that is pushed toward shaft **12** against the bias of spring member **34** to lift engaging end **35** of lever **32** away from shaft **12**. Engaging end **35** is configured to mate with notches **36** formed in shaft **12** as shown in FIG. **5**. Notches **36** in shaft **12** are not visible in FIG. **2** since they are covered by stop member **28**. Stop member **28** is also formed with an opening sized to allow engaging end **35** of lever **32** to fit in notches **36**. Numerous other structures for holding stop member **28** at a desired position on shaft **12** are possible, and spring biased lever **32** is provided in this embodiment of the present invention by way of example and not limitation. For instance, shaft **12** may include threads on a portion of its outer surface to receive a threaded adjusting collar that will lock stop member **28** in a desired position.

With reference to FIGS. **21** and **22**, examples of the types of motion through which abrading element **18** may be moved are illustrated. In FIG. **21**, the motion is vibratory in a plane generally parallel to the abrading surface of the abrading element. In FIG. **22**, the motion is linear and reciprocating as indicated by the double headed arrow of that figure. Alternatively, the motion may comprise slight rotation about a pivot point near distal end **15** of shaft **12** such that the oscillation is arcuate about an axis extending into and out of the sheet of paper on which FIGS. **21** and **22** are illustrated. Other motions such as full and complete rotation as described below with reference to the second preferred embodiment are also useful.

Any of these types of motion will be adequate to cause the abrading surface or surfaces of abrading element **18** to abrade adjacent bone structures to thereby form the appropriately sized and dimensioned space between those bone structures

12

for receiving an insert. In this regard, at least one or more of the surfaces of abrading element **18** is roughened such that it can abrade the adjacent bone structures.

FIGS. **11**, **12**, **13**, **14**, and **15** illustrate various views of vertebral bodies that have been worked on by a device incorporating the present invention. The cross-hatching in these figures represents the softer, blood-rich cancellous bone of the vertebrae beneath the harder, outer cortical bone shell. FIG. **11** shows a top view of a first vertebral body **70** with a surface **72** formed by a circular abrading element **18** as shown in FIG. **1**. The width of surface **72** formed on first vertebral body **70** closely matches the width of an abrading element **18** that was advanced into the disc space along a single front to back axis. A second vertebral body **77** has a greater depth than vertebral body **70**. The second vertebral body **77** shown in FIG. **12** has a surface **75** formed by extending abrading element **18** deeper into the distal interspace along front-to-back axis **74**. FIG. **13** illustrates a cutaway side view of the vertebral body shown in top view in FIG. **12**. FIG. **14** shows a cutaway side view of adjacent vertebral bodies **70** and **76** that have had surfaces **72** and **78** formed in their respective adjacent end plates. Note that, as shown in exaggerated view in FIG. **15**, the vertebral end plate surface is prepared to a uniform shape, which while preserving the deeper portions of the end plate, also forms a socket depressed from the hard cortical uprisings of bone such as the uncovertebral joint. Recognize that the depth of this remaining end plate is exaggerated in FIG. **15** to illustrate this result of using the present invention. This remaining portion of the more cortical rim **80** assists in retaining the insert in the desired position between the adjacent vertebrae by acting as an abutment preventing lateral or posteriad movement of the insert. The prepared faces of these abutment portions of the vertebral end plate also increase the surface area of contact between the insert and the vertebral body.

FIG. **15A** illustrates, in top view, the ideal portion of a disc that is removed to accommodate implantation of the insert. In FIG. **15A**, the annulus fibrosus is illustrated with rings **200** extending around the periphery of the intervertebral disc space. Inside the annulus fibrosus is the nucleus pulposus **202** illustrated in cross-hatching. The general area and volume of the nucleus pulposus to be removed with the device of the present invention is illustrated with additional cross-hatchings **204**. The preferred dimensions of the space created by the device is generally not as wide as the entire nucleus pulposus.

Referring now to FIGS. **16** and **17**, a second embodiment of the present invention is shown wherein abrading element **18** includes two abrading surfaces: an upper abrading surface **90** and a lower abrading surface **92**. FIG. **16** is a top view of such a device and FIG. **17** is a side view. In this embodiment, abrading element **18** includes two disc-shaped members, **81** and **83**, that are mounted on the distal end of the device by a recessed screw **147** and screw shaft **148** as described below. Abrading surface **90** is formed on one side of disc-shaped member **81**, and abrading surface **92** is formed on one side of disc-shaped member **83**. Thus, the abrading element **18** illustrated in FIGS. **16** and **17** provides an example of an instance where the abrading element comprises multiple pieces that fit together to form the abrading element. As previously described, the present invention contemplates unitary, one piece constructions for the abrading element as well as multi-piece constructions. In the embodiment of the present invention shown in FIGS. **16** and **17**, the upper and lower disc-shaped members **81** and **83** and their associated abrading surfaces may be rotated in opposite directions so as to counteract and balance any torque applied to the shaft and handle

13

of the device as the abrading element digs into and abrades the vertebral end plates. This counter-rotation of the members **81** and **83** also prevents the device from being pulled to one side as the vertebral end plates are being worked on. This counter-rotating motion of the two members **81** and **83** is illustrated by the arrows in FIG. 17 and may be achieved, as illustrated in FIG. 17B, by using a spinning drive rod **160** that extends through shaft **12** and is configured with a gear **162** at its distal end that engages with mating gear teeth **93** and **94** formed on respective inner sides of disc-shaped members **81** and **83** as shown in FIGS. 17A and 17B. Disc-shaped members **81** and **83** may be attached to the end of shaft **12** by a recessed screw **147** that is received in a mating, threaded screw shaft **148** as shown in FIG. 17B. Thus, in this second embodiment, the mounting member comprises threaded screw shaft **148** and recessed screw **147** disposed at the distal end of a tapered extension **149** that protrudes from shaft **12**.

FIGS. 16A and 17A show a further enhancement to the device shown in FIGS. 16 and 17 wherein the shaft **12** also includes an irrigation tube **150** and a suction tube **152** that may be formed within, or outside of, shaft **12**. These irrigation and suction tubes may be connected to appropriate sources of irrigation fluid and a source of vacuum, respectively, to efficiently irrigate and clear the surgical site during use of the device.

Alternatively, and as shown in FIG. 20, upper and lower disc-shaped members **95** and **96** may be formed with inwardly sloping, ramped surfaces **97** and **98** that engage a cone-shaped driver **99** disposed on the distal end of a rotating drive rod **160** to turn the upper and lower abrading surfaces in opposite directions as the drive rod spins about its axis. Alternatively, the lower surfaces of the abrading element **18** and the cone-shaped driver can be radially splined to engage one another. Such a dual surface abrading element can simultaneously work on both adjacent end plates of adjacent vertebrae. Abrading member **18** having such dual abrading surfaces can even be constructed such that the distance between the abrading surface is adjustable to accommodate variations in the height of the disc space. By way of example and not limitation, paired, wedge-shaped blocks may be disposed between the abrading surfaces and an adjusting screw can be provided to extend through threaded apertures in each wedge-shaped block. As the adjusting screw is turned, the wedge-shaped blocks move relative to one another to change the distance between the abrading surfaces.

In a still further embodiment of the present invention as illustrated in FIG. 18, the abrading element **18** may have upper and lower abrading surfaces **140** and **142** that are angled or tilted relative to each other. The degree of angle or tilt may be selected to match the natural lordotic curvature of the spine at the location of the vertebrae to be worked on. The distance between the upper and lower abrading surfaces **140** and **142** in this embodiment may also be adjustable to accommodate differing disc heights between the vertebrae. Such angled abrading surfaces may also be driven in counter rotation by drive rod **160** as shown by the arrows in FIG. 18. As illustrated in FIG. 19, the slope of the surfaces **144** and **146** formed in the adjacent vertebrae by the abrading element shown in FIG. 18 matches the lordotic curvature of the spine at that location.

Numerous other configurations of abrading element **18** are possible within the scope of the present invention. For example and with reference to FIG. 23, abrading elements **218** may be convex to form concave receiving surfaces **220** in the vertebral end plates. The geometry and configuration of the shapes of the abrading elements can be matched to the desired shape and configuration of the space which the sur-

14

geon intends to create between adjacent bone structures and to the desired contour of the surfaces created in the bone structures.

Additionally, the abrading surface of abrading element **18** may be configured as roughenings, knurls, ridges, small pyramid shaped projections, or any other surface configuration that is capable of abrading the bone structures.

Where only one surface of the abrading element is configured to abrade an end plate of the vertebral body, an opposite surface (or the opposite surface of mounting member **16** as illustrated by element **17** in FIG. 2) may be configured to be supported by the adjacent end plate without causing any significant abrasion of that adjacent end plate. In such an instance, the non-abrading surface of the abrading element, or surface **17** of mounting member **16**, may be configured to allow the surgeon to achieve a mechanical advantage that increases the bearing pressure of the abrading surface against the end plate being worked on, and also to locate and center the device. In this manner, one adjacent end plate provides mechanical support to the device while the device works on the adjacent end plate. After an appropriate surface is formed on one end plate, the device can be turned 180° to use the abrading surface on the other end plate.

FIGS. 24A and 24B show two views of human vertebral bodies. FIG. 24A shows a side view of a vertebral body V with end plates or end plate regions EP1 and EP2. FIG. 24B is a top cutaway view of vertebral body V with apophysical rim AR and cancellous bone CB.

FIGS. 25A and 25B show an alternative to the second embodiment of the present invention, wherein abrading element **250** includes two abrading surfaces, upper abrading surface **252** and lower abrading surface **254**, and abrading surfaces **252** and **254** are configured with a sharpened leading edge. FIG. 25A is a perspective view of such a device and FIG. 25B is a top view. In this embodiment, abrading element **250** includes two disc-shaped members, **256** and **258**, that are removably mounted on the distal end of the device by a recessed screw **147** and screw shaft **148** as described above. Abrading surface **252** is formed on the edge of disc member **256**, and abrading surface **254** is formed on the edge of disc member **258**. The mounting facilitates removing disc-shaped members **256** and **258** to replace them with other disc-shaped members of similar or alternative abrading surface design. Brace **255** prevents rotation of shaft **12** during use of the device.

Alternatively, abrading surfaces **252** and **254** may be manufactured separately from disc-shaped members **256** and **258**. In such a design, abrading ring **251** includes abrading surface **252** and abrading ring **253** includes abrading surface **254**. Abrading ring **251** is mounted on disc-shaped member **256**, and abrading ring **253** is mounted on disc-shaped member **258**. Such a mounting may be accomplished by threadably connecting an abrading ring to its associated disc-shaped member. The threads of such a threadable connection preferably oppose the direction of rotation of the disc-shaped member when the device is in use. Other equivalent mountings to the threadable connection may be employed.

FIG. 26 shows the counter-rotation of disc-shaped members **256** and **258** and their associated abrading surfaces. This counter-rotating motion may be achieved by using a spinning drive rod **160** that extends through shaft **12** and is configured with a gear **162** at its distal end that engages with mating gear teeth **93** and **94** formed on respective inner sides of disc-shaped members **256** and **258**.

Alternatively, and as shown in FIG. 27, abrading element **250** may have upper and lower disc-shaped members **256** and **258** that are angled or tilted relative to each other. The degree

of angle or tilt may be selected to match the lordotic curvature of the spine at the location of the vertebrae to be worked on. The distance between the upper and lower disc-shaped members may also be adjustable to accommodate different disc heights between the vertebrae. Such angled disc-shaped members may also be driven in counter-rotation by drive rod 160 and cone-shaped driver 270.

FIG. 28 shows a further enhancement to the device shown in FIGS. 25A and 25B wherein the shaft 12 also includes an irrigation tube 280 and a suction tube 282 that may be formed within, or outside of, shaft 12. These irrigation and suction tubes may be connected to appropriate sources of irrigation fluid and a source of vacuum, respectively, to efficiently irrigate and clear the surgical site during the use of the device.

FIG. 29 shows device 10 and guide 290. Guide 290 includes a front portion 292, a rear portion 294, a body 295, an opening 296, a first disc penetrating extension 298, and a second disc penetrating extension 299. Placing front portion 292 of guide 290 against adjacent vertebral bodies inserts first disc penetrating extension 298 and second disc penetrating extension 299 into the disc space between the adjacent vertebral bodies. Guide 290 provides protected access to the disc space and the adjacent vertebral bodies for abrading element 250 via opening 296. Opening 296 may be taller than the height of abrading element 250. Such a taller opening 296 allows the sequential use of abrading elements 250 of increasing height or the insertion of an insert taller than the height of abrading element 250. The insert is preferably sized and shaped to match the space formed in the spine by the abrading element. Front portion 292 may include one or more holes 291 for securing front portion 292 of guide 290 to at least one of the adjacent vertebral bodies using a pin, screw, or equivalent fastening device. Guide 290 may also include one or more tracks 293 to direct abrading element 250 while accessing the disc space and adjacent vertebral bodies via opening 296. Such tracks 293 may include any surface designed to direct abrading element 250. As shown in FIG. 29, first disc penetrating extension 298 and second disc penetrating extension 299 have an anatomic shape as discussed below. Other shapes may be desired as also discussed below.

FIG. 30 shows a side view of vertebral bodies V1 and V2 and second disc penetrating extension 299 in the disc space between the vertebral bodies. As shown, the anatomic shape of disc penetrating extension 299 substantially matches the contours of the adjacent vertebral bodies.

FIG. 31A shows a rear perspective view of guide 290 with anatomic shaped disc penetrating extensions 298 and 299.

FIGS. 31B, 31C, and 31D show alternative shapes for the disc penetrating extensions of guide 290. In FIG. 31B, disc penetrating extensions 310 and 312 are tapered in the direction away from front portion 292. In FIG. 31C, upper surface 311 and lower surface 313 of disc penetrating extension 314 are substantially parallel. Similarly, upper surface 315 and lower surface 317 of disc penetrating extension 316 are substantially parallel. In FIG. 31D, disc penetrating extensions 318 and 319 are substantially lordotic, or tapered in the direction toward, front portion 292.

Alternatively, and as shown in FIGS. 31A, 32A, and 32B, guide 290 may have male tracks, female tracks, or no tracks. FIG. 31A shows male tracks 293. FIG. 32A shows female tracks 293. FIG. 32B shows no tracks. It must be emphasized again that such tracks 293 may include any surface designed to direct abrading element 250.

FIG. 33 shows guide 290 having front portion 292 including slotted extension 330. Front portion 292 may be secured to one of the adjacent vertebral bodies via slotted extension 330 using a pin, screw, or equivalent fastening device. Slotted

extension 330 provides the capability to unsecure front portion 292 from one adjacent vertebral body, and then resecure front portion 292 to that same adjacent vertebral body after changing the amount of distraction between the adjacent vertebral bodies.

Alternatively, FIGS. 34A and 34B show two views of an elongated version of guide 290. Elongated guide 290 is preferably used for posterior lumbar interbody fusion. Body 295 includes a height, a width, and a distance between front portion 292 and rear portion 294. The height of body 295 is preferably 8-20 mm. The width of body 295 is preferably 10-20 mm. The distance between front portion 292 and rear portion 294 of body 295 is preferably 150-350 mm. Disc penetrating extensions 298 and 299 may have any of the shapes disclosed above. Preferably, the disc penetrating extensions have a height of 5-20 mm and a length of 15-32 mm. For posterior lumbar interbody fusion, abrading element 250 is preferably 5-20 mm in height and 10-20 mm in width.

FIGS. 35A, 35B, and 35C show alternative cross-sectional shapes for body 295. FIG. 35A shows a rectangular cross-section. FIG. 35B shows a circular cross-section. FIG. 35C shows an oval or rounded cross-section.

Since any device incorporating the subject matter of the present invention is designed to be used within a surgical theater, it is desirable that the device be susceptible of sterilization by any one of many known expedients. In this regard, handle 12 of device 10 may be waterproof such that the device can be sterilized.

Although various embodiments of the present invention have been disclosed for purposes of illustration, it will be understood by those of ordinary skill in the art that changes, modifications, and substitutions may be incorporated in these embodiments without departing from the spirit or scope of the present invention as defined by the claims, which follow.

I claim:

1. An instrument for preparing a space between adjacent vertebral bodies to receive an insert, said instrument comprising:

- a shaft with a longitudinal axis;
- a drive mechanism;
- a power source; and

an abrading element mountable on said shaft, said abrading element including at least one abrading surface having a width selected to substantially match the overall width of the insert to be received between the adjacent vertebral bodies, said abrading element being adapted to rotate by said drive mechanism about an axis generally perpendicular to the longitudinal axis of said shaft and about a plane generally aligned with the vertebral end plate to create at least one surface having a predetermined contour in the end plate of at least one of the adjacent vertebral bodies.

2. The instrument of claim 1, wherein said abrading element has a top surface and bottom surface.

3. The instrument of claim 2, wherein at least one of said top and bottom surfaces of said abrading element are roughened to provide said abrading surface.

4. The instrument of claim 1, wherein said abrading element has a leading edge configured to cut into at least one vertebral body as said abrading element is inserted into the spine.

5. The instrument of claim 1, wherein said abrading element is convex.

6. The instrument of claim 1, wherein said abrading element is tapered outwardly from a front surface of said abrading element.

17

7. The instrument of claim 1, wherein said abrading element includes at least two abrading surfaces for simultaneously creating predetermined surface contours on the respective end plates of the adjacent vertebral bodies.

8. The instrument of claim 7, wherein said abrading surfaces include teeth formed thereon to cooperatively engage said drive mechanism, said teeth being configured such that said abrading surfaces are rotated by said drive mechanism.

9. The instrument of claim 7, wherein said abrading surfaces are substantially planar.

10. The instrument of claim 7, wherein said abrading surfaces are configured to rotate in different directions from one another.

11. The instrument of claim 1, wherein said abrading element includes outwardly facing first and second abrading surfaces, said first and second abrading surfaces being inclined relative to one another.

18

12. The instrument of claim 1, wherein said abrading element includes a wheel having cutter teeth along its perimeter.

13. The instrument of claim 1, wherein said drive mechanism is adapted to produce an oscillating rotation of said abrading element.

14. The instrument of claim 1, further comprising said insert, said insert being sized and shaped to match the space formed in the spine by said abrading element.

15. The instrument of claim 14, wherein said insert is a motion preserving device.

16. The instrument of claim 14, wherein said insert is a bone graft.

17. The instrument of claim 14, wherein said insert is a fusion implant.

* * * * *